



US00D683423S

(12) **United States Design Patent**
Liu

(10) **Patent No.:** **US D683,423 S**

(45) **Date of Patent:** **** May 28, 2013**

(54) **LED FLEXIBLE WAND**

(75) Inventor: **Xiaoming Liu**, Baolong (CN)

(73) Assignee: **Shenzhen Xingrisheng Industrial Co., Ltd.**, Shenzhen (CN)

(**) Term: **14 Years**

(21) Appl. No.: **29/423,376**

(22) Filed: **May 31, 2012**

(30) **Foreign Application Priority Data**

Dec. 12, 2011 (CN) 2011 3 0472422

(51) **LOC (9) Cl.** **23-01**

(52) **U.S. Cl.**
USPC **D23/213**

(58) **Field of Classification Search**
USPC D23/213, 223, 226; 239/532, 548,
239/542, 566

See application file for complete search history.

(56) **References Cited**

U.S. PATENT DOCUMENTS

D353,873 S * 12/1994 Schoeneman D23/213
5,927,616 A * 7/1999 Grise et al. 239/600
6,378,791 B1 * 4/2002 Perry et al. 239/532

D514,662 S * 2/2006 Zielke et al. D23/213

* cited by examiner

Primary Examiner — Robin V Webster

(57) **CLAIM**

The ornamental design for a LED flexible wand, as shown and described.

DESCRIPTION

FIG. 1 is a perspective view of the LED flexible wand showing my new design; wherein the cutting plane line indicates that the design in the figure is shortened for display purpose. FIG. 2 is a right plan view thereof; wherein the cutting plane line indicates that the design in the figure is shortened for display purpose.

FIG. 3 is a left plan view thereof; wherein the cutting plane line indicates that the design in the figure is shortened for display purpose.

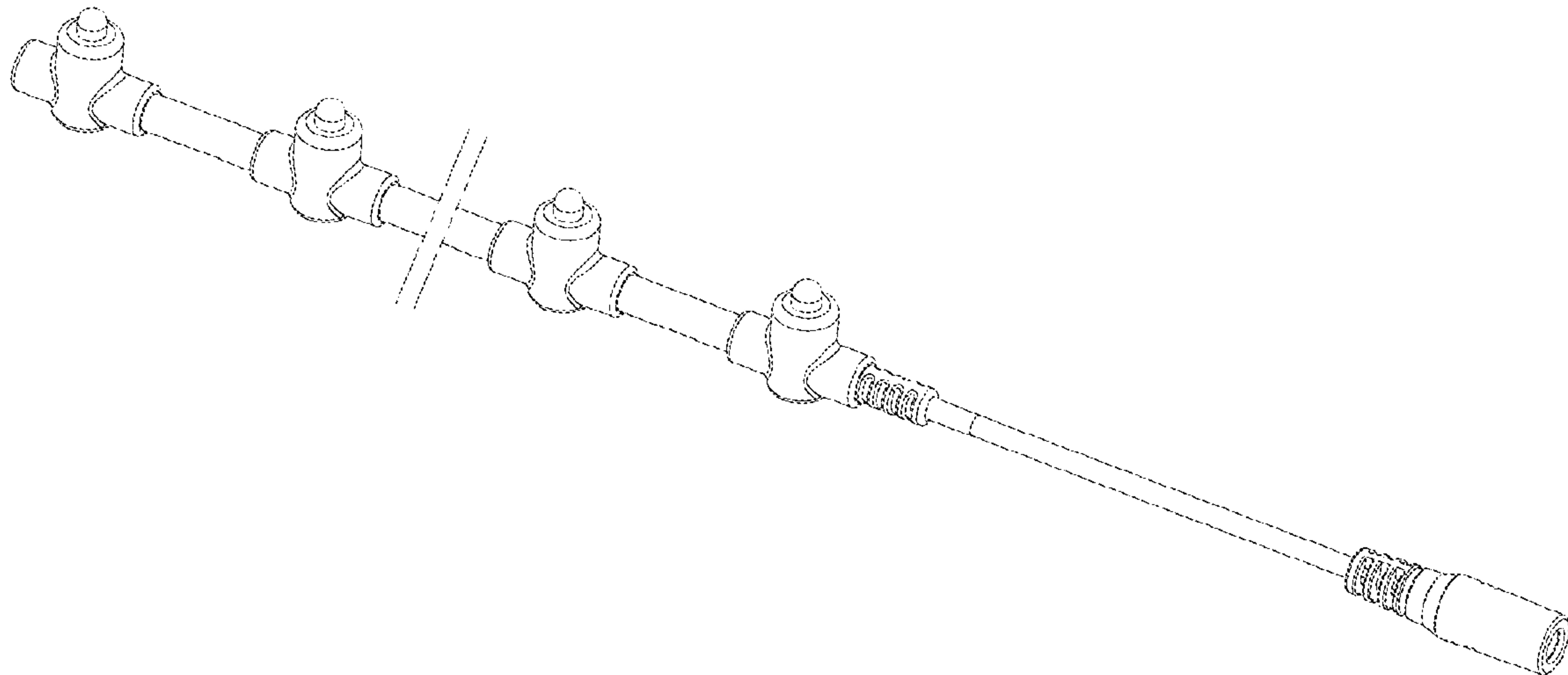
FIG. 4 is an upward plan view;

FIG. 5 is a downward plan view.

FIG. 6 is a front plan view thereof; wherein the cutting plane line indicates that the design in the figure is shortened for display purpose; and,

FIG. 7 is a back plan view thereof; wherein the cutting plane line indicates that the design in the figure is shortened for display purpose.

1 Claim, 2 Drawing Sheets



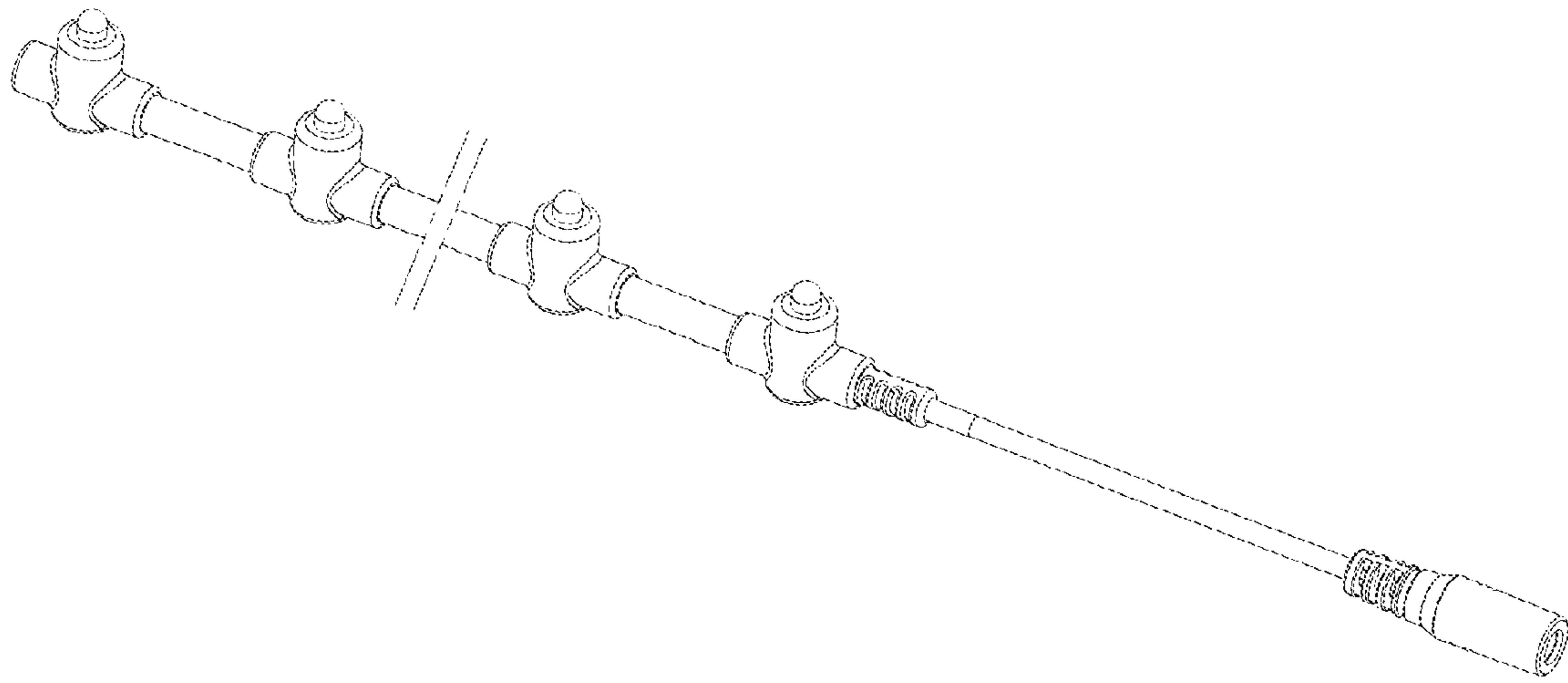


Fig. 1

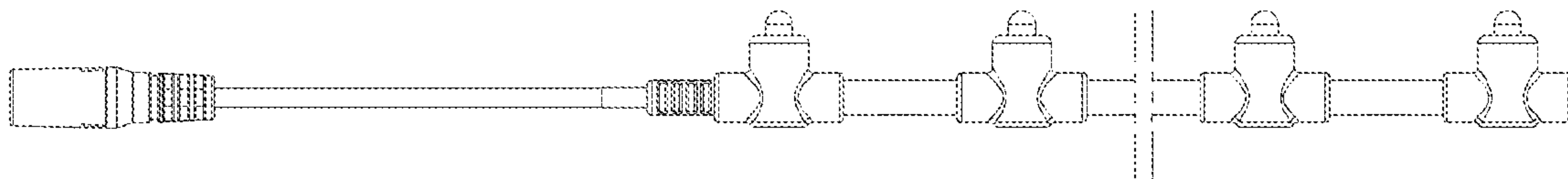


Fig. 2

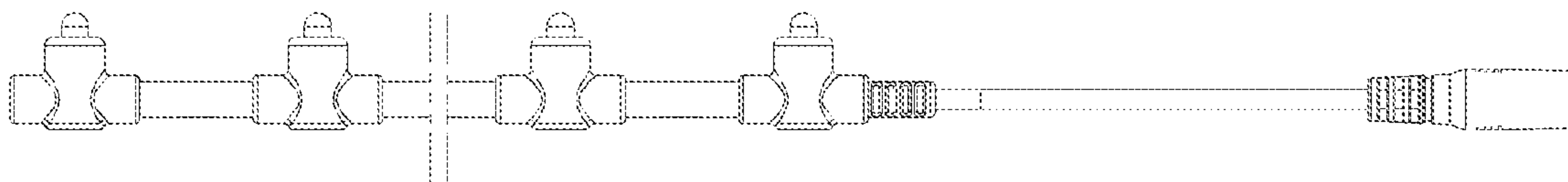


Fig. 3

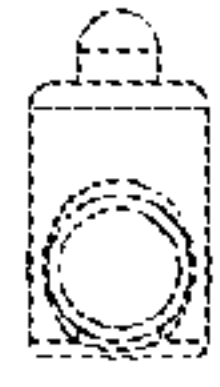


Fig. 5



Fig. 4

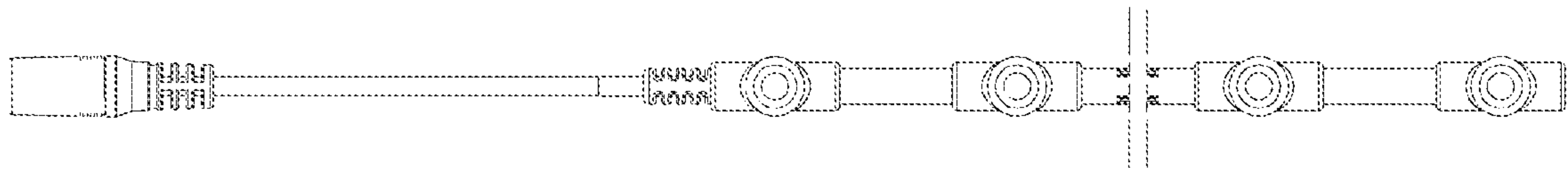


Fig. 6

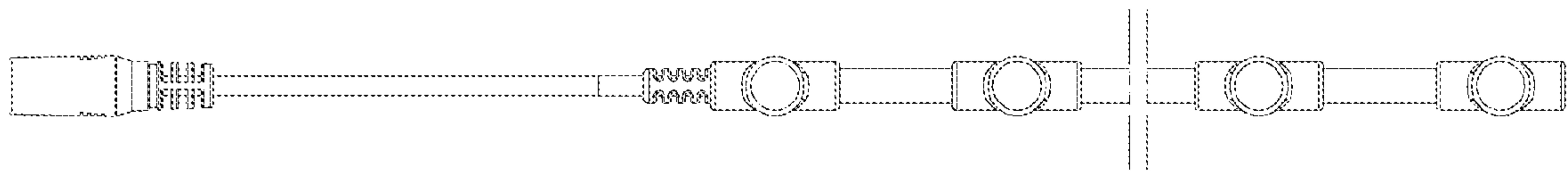


Fig. 7