



US00D683422S

(12) **United States Design Patent**
Choi

(10) **Patent No.:** **US D683,422 S**

(45) **Date of Patent:** **** May 28, 2013**

(54) **WATER PURIFIER**

(75) Inventor: **Hun Jung Choi**, Seoul (KR)

(73) Assignee: **Woongjin Coway Co., Ltd.**,
Choongcheongnam-Do (KR)

(**) Term: **14 Years**

(21) Appl. No.: **29/426,573**

(22) Filed: **Jul. 6, 2012**

(30) **Foreign Application Priority Data**

Jan. 6, 2012 (KR) 30-2012-0000749

(51) **LOC (9) Cl.** **23-01**

(52) **U.S. Cl.**
USPC **D23/207**

(58) **Field of Classification Search** D23/207-209;
D7/313; 210/435, 241, 140, 190

See application file for complete search history.

(56) **References Cited**

U.S. PATENT DOCUMENTS

D238,875 S * 2/1976 Berry et al. D23/207
D647,593 S * 10/2011 Choi D23/207
D669,154 S * 10/2012 Choi D23/207

FOREIGN PATENT DOCUMENTS

EM 001821992-0001 2/2011

* cited by examiner

Primary Examiner — Robin V Webster

(74) *Attorney, Agent, or Firm* — McDermott Will & Emery LLP

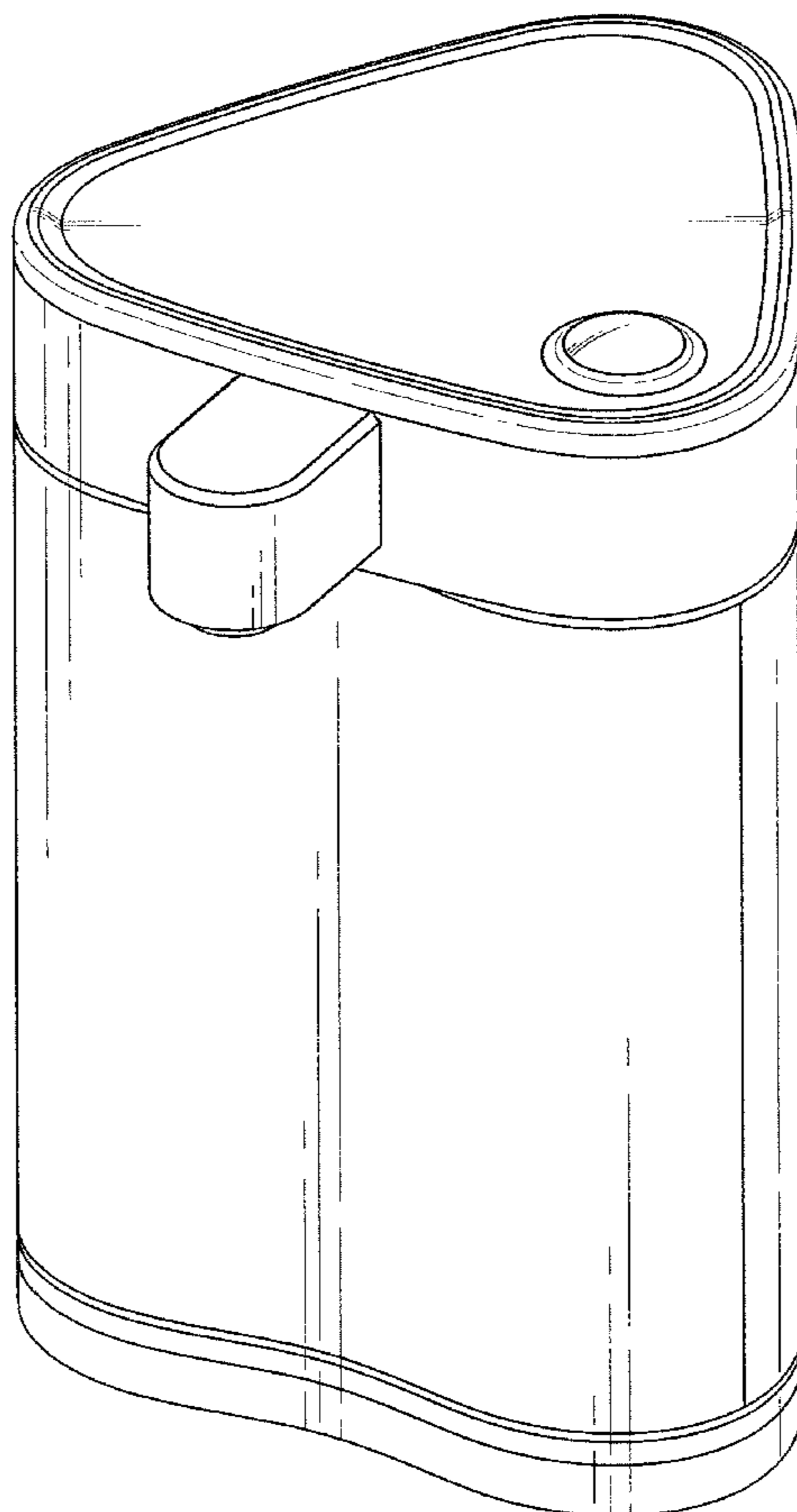
(57) **CLAIM**

The ornamental design for a water purifier, as shown and described.

DESCRIPTION

FIG. 1 is a perspective view of a water purifier showing my new design;
FIG. 2 is a front view thereof;
FIG. 3 is a rear view thereof;
FIG. 4 is a left side view thereof;
FIG. 5 is a right side view thereof;
FIG. 6 is a top plan view thereof; and,
FIG. 7 is a bottom view thereof.

1 Claim, 7 Drawing Sheets



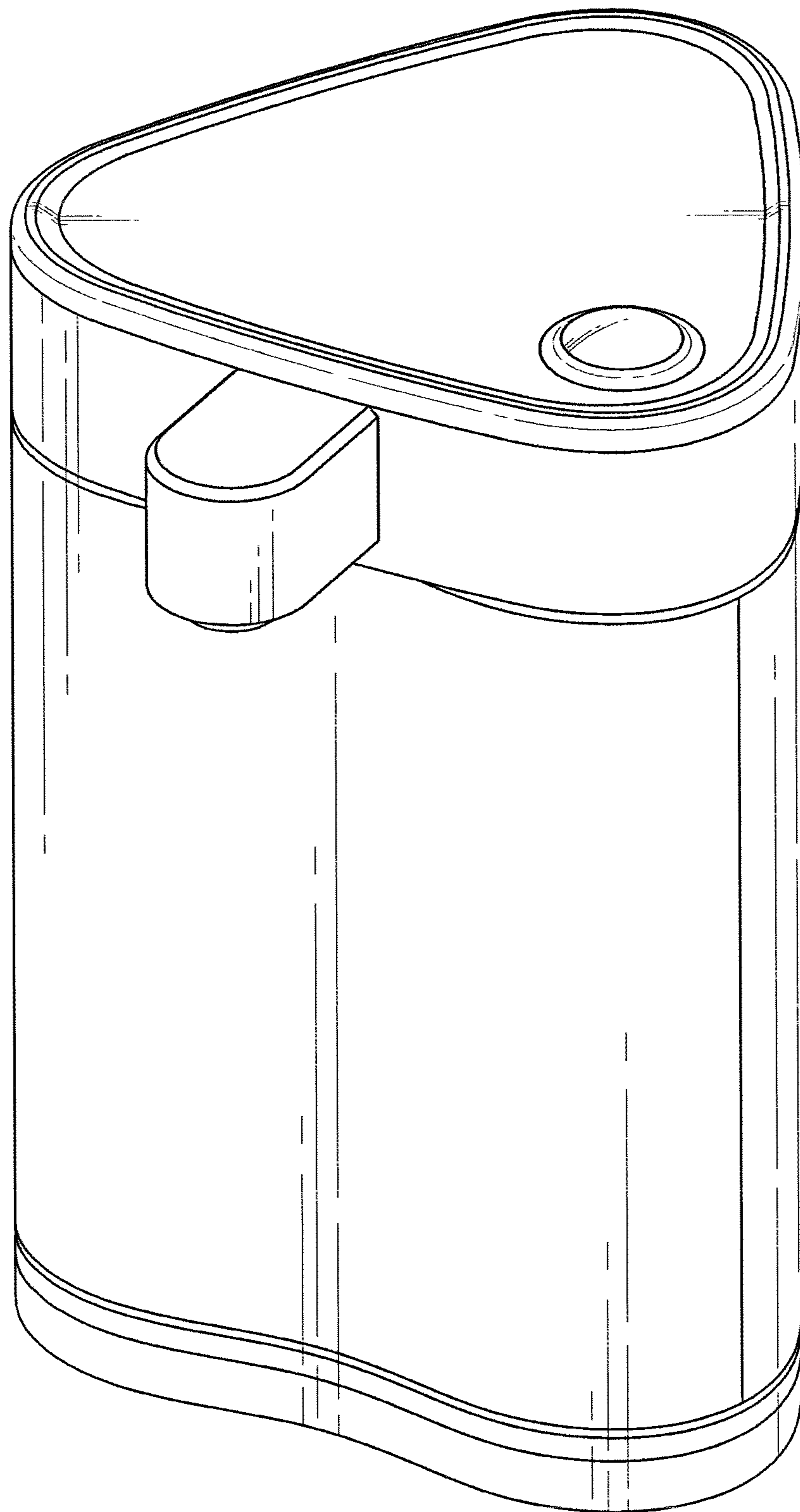


FIG. 1

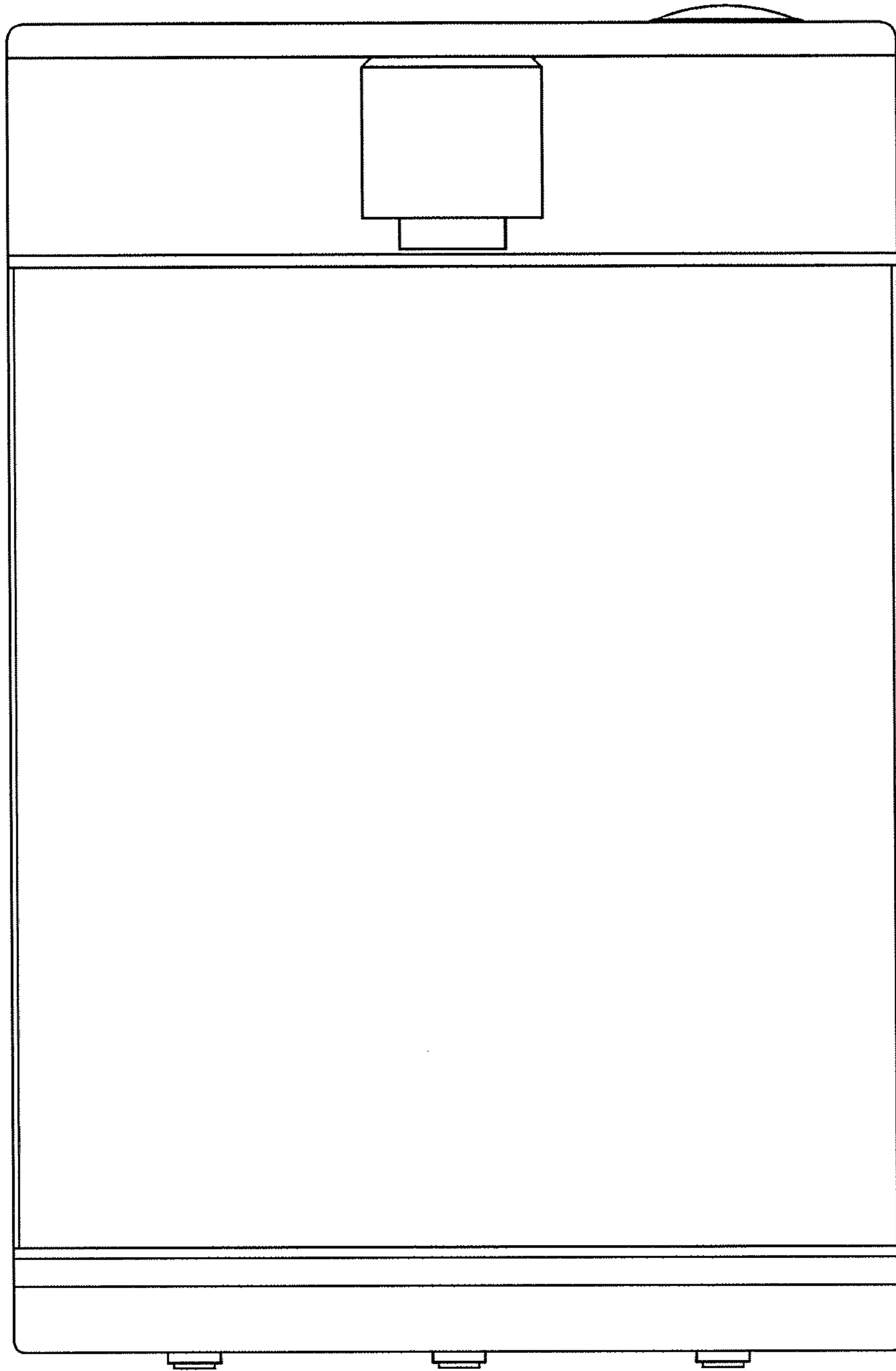


FIG. 2

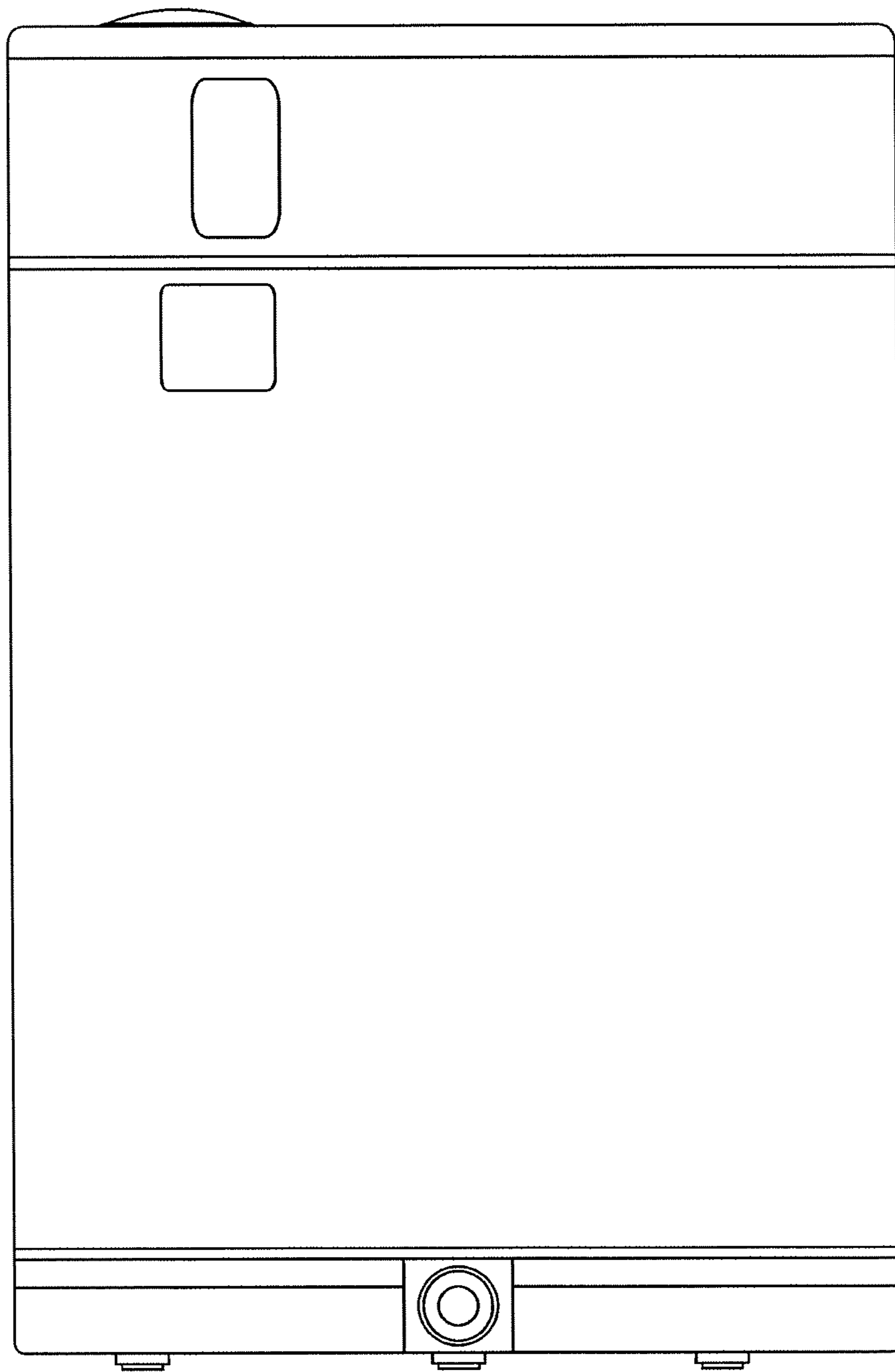


FIG. 3

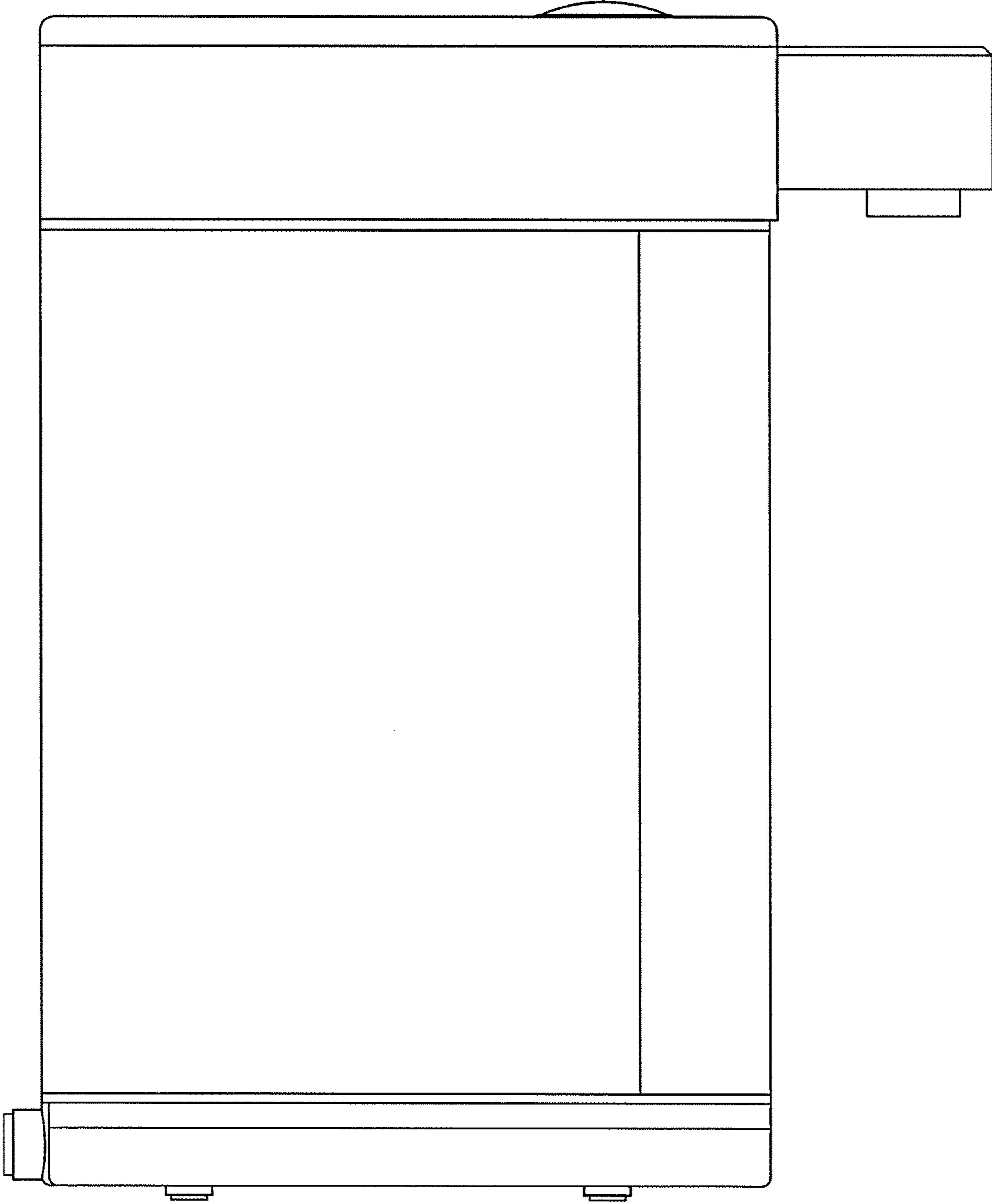


FIG. 4

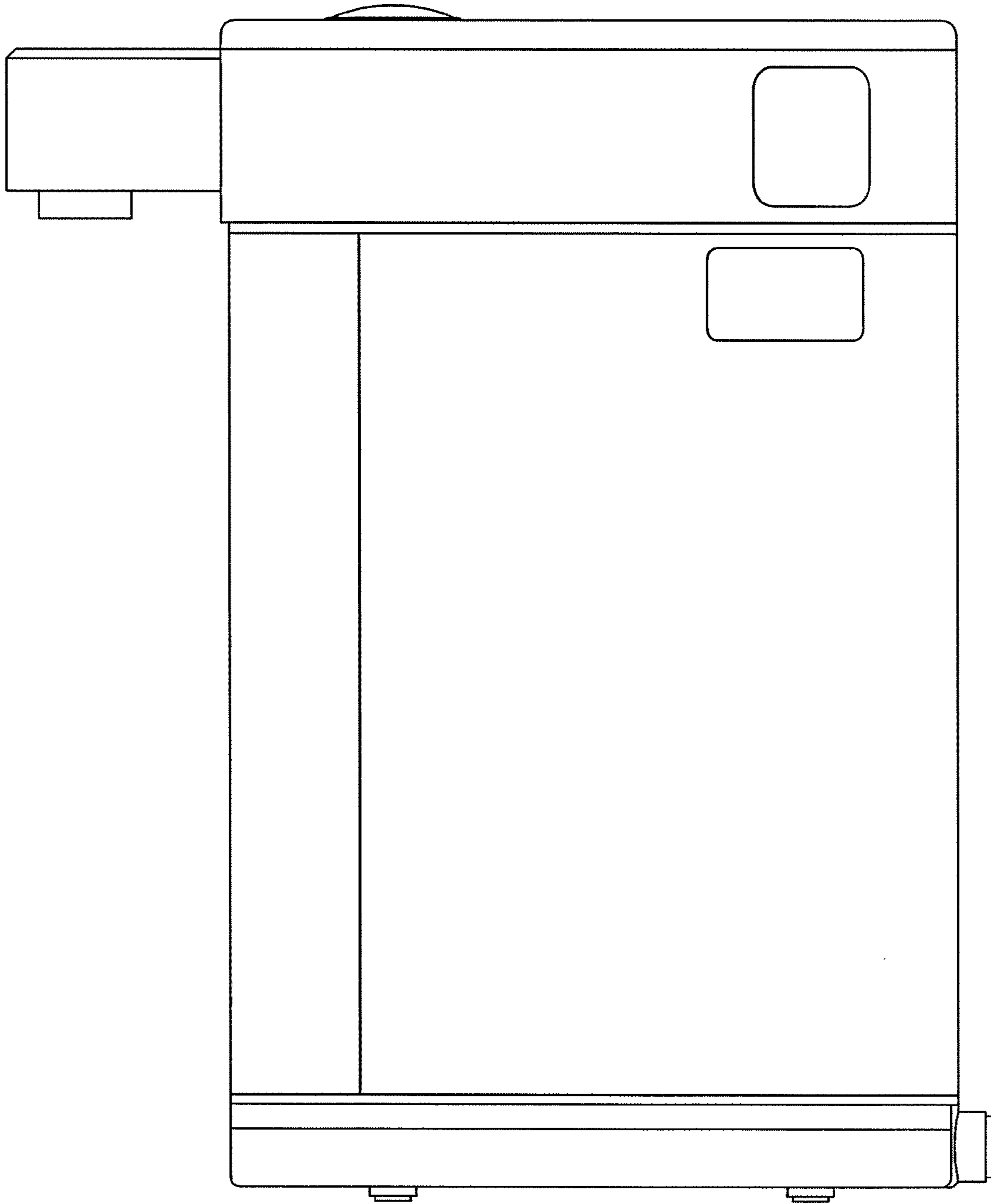


FIG. 5

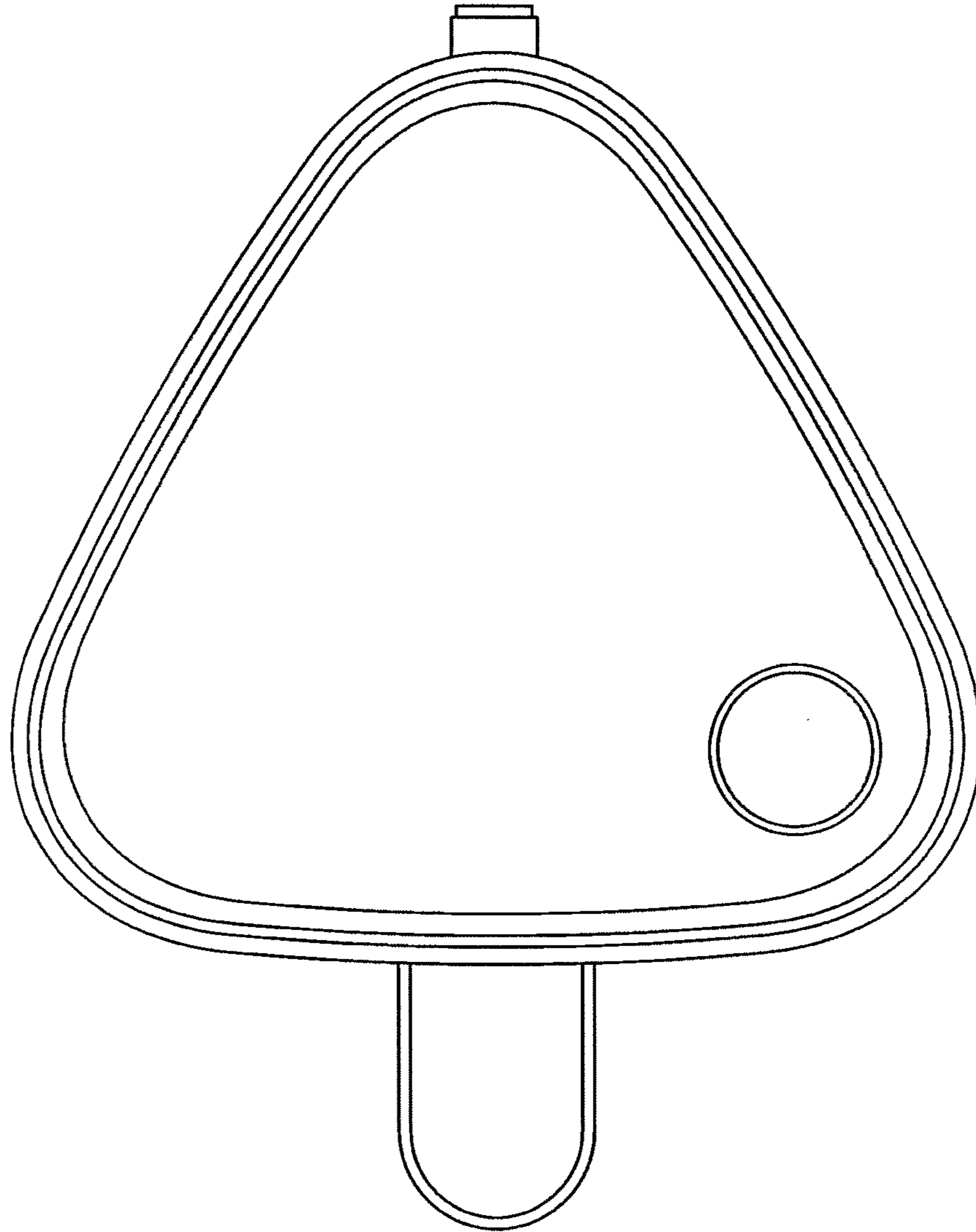


FIG. 6

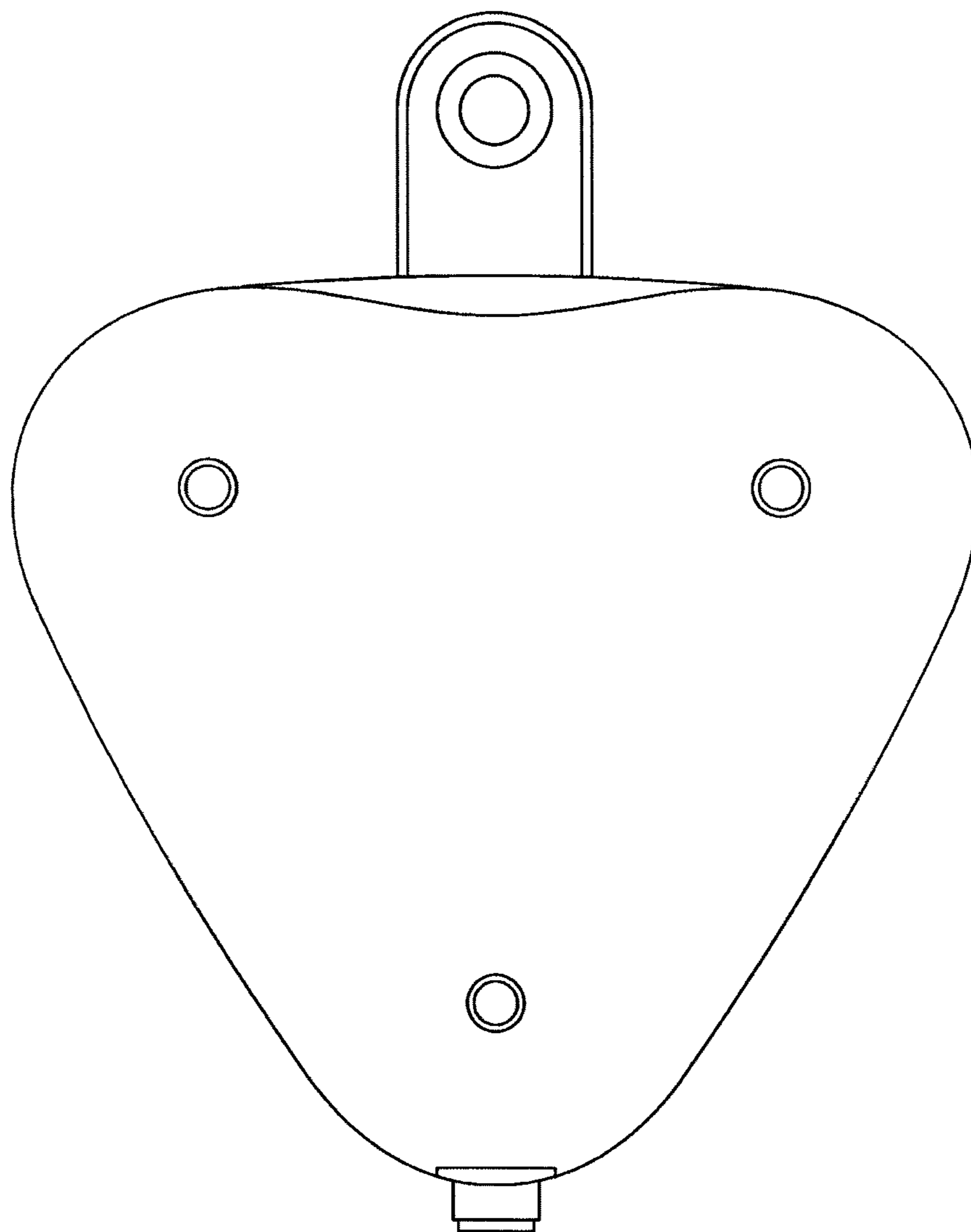


FIG. 7