



US00D683421S

(12) **United States Design Patent**  
**Choi**

(10) **Patent No.:** **US D683,421 S**

(45) **Date of Patent:** **\*\* May 28, 2013**

(54) **WATER PURIFIER**

(75) Inventor: **Hun Jung Choi**, Seoul (KR)

(73) Assignee: **Woongjin Coway Co., Ltd.**,  
Choongcheongnam-Do (KR)

(\*\*) Term: **14 Years**

(21) Appl. No.: **29/426,557**

(22) Filed: **Jul. 6, 2012**

(30) **Foreign Application Priority Data**

Jan. 6, 2012 (KR) ..... 30-2012-0000748

(51) **LOC (9) Cl.** ..... **23-01**

(52) **U.S. Cl.**  
USPC ..... **D23/207**

(58) **Field of Classification Search** ..... D23/207-209;  
D7/313; 210/435, 241, 140, 190  
See application file for complete search history.

(56) **References Cited**

**U.S. PATENT DOCUMENTS**

D238,875 S \* 2/1976 Berry et al. .... D23/207  
D647,593 S \* 10/2011 Choi ..... D23/207  
D669,154 S \* 10/2012 Choi ..... D23/207

**FOREIGN PATENT DOCUMENTS**

EM 001966789-0001 1/2012

\* cited by examiner

*Primary Examiner* — Robin V Webster

(74) *Attorney, Agent, or Firm* — McDermott Will & Emery  
LLP

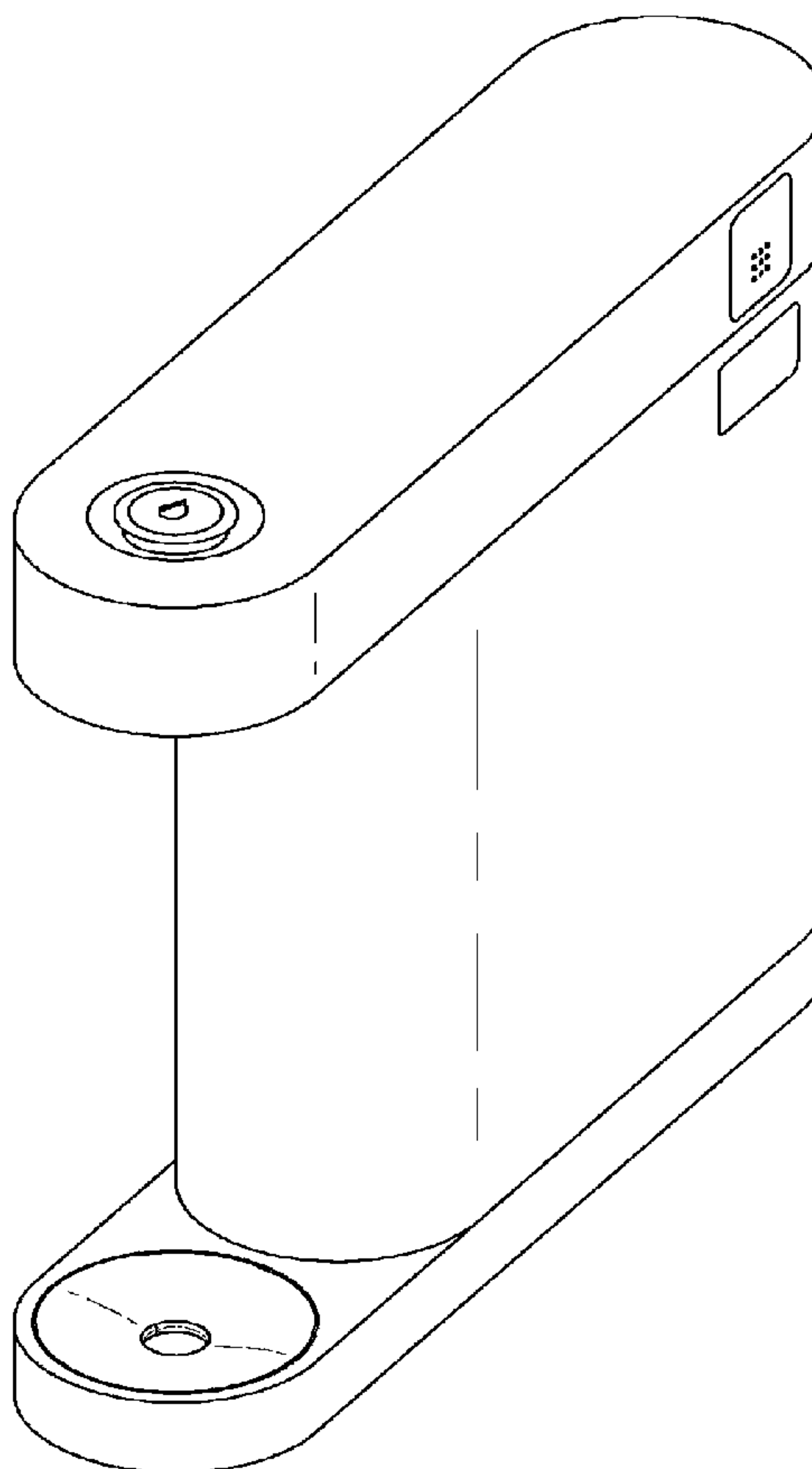
(57) **CLAIM**

The ornamental design for water purifier, as shown and described.

**DESCRIPTION**

FIG. 1 is a perspective view of a water purifier showing my new design;  
FIG. 2 is a front view thereof;  
FIG. 3 is a rear view thereof;  
FIG. 4 is a left side view thereof;  
FIG. 5 is a right side view thereof;  
FIG. 6 is a top plan view thereof; and,  
FIG. 7 is a bottom view thereof.  
The article is made of synthetic resin and metal.

**1 Claim, 7 Drawing Sheets**



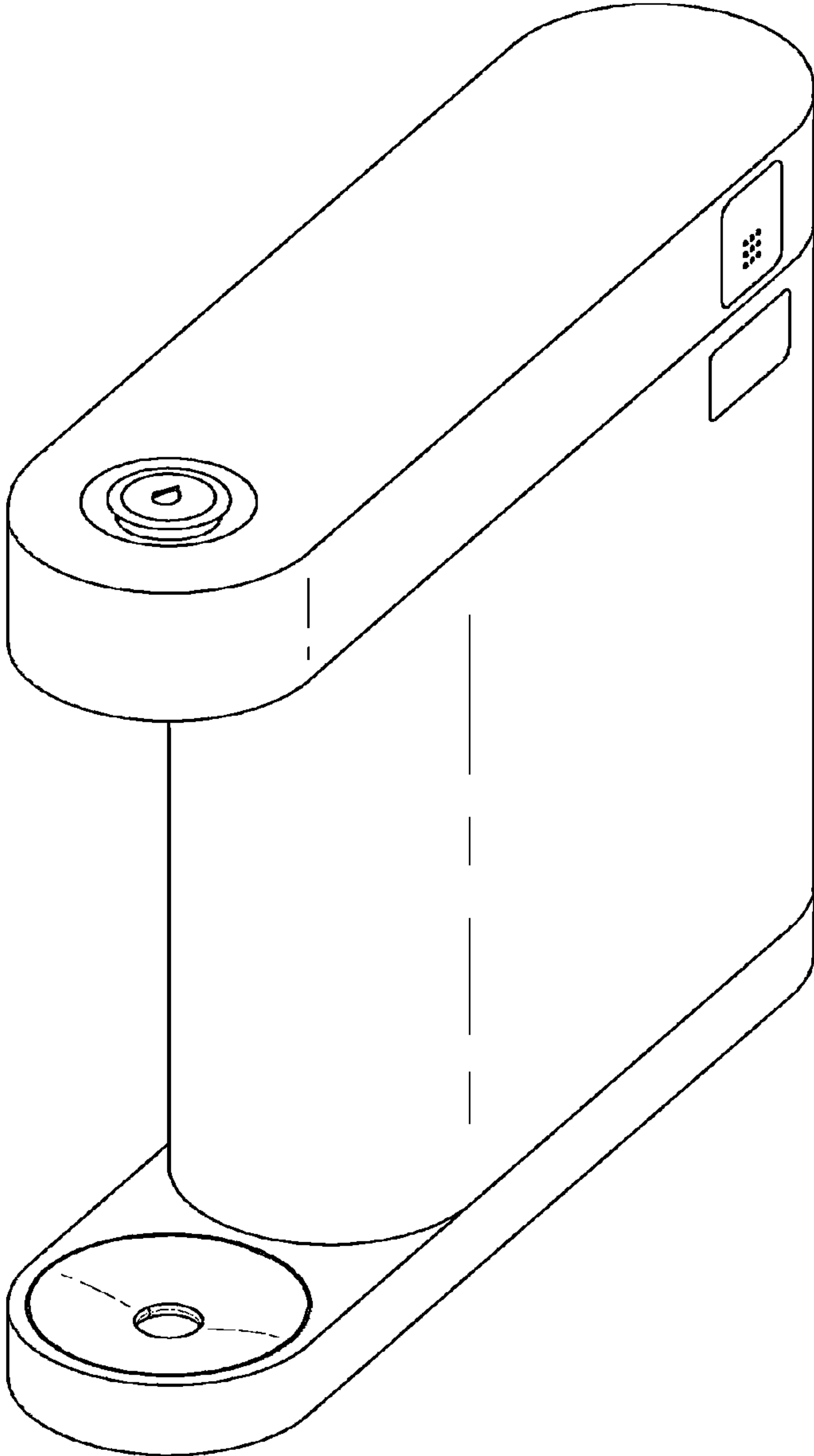


FIG. 1



FIG. 2

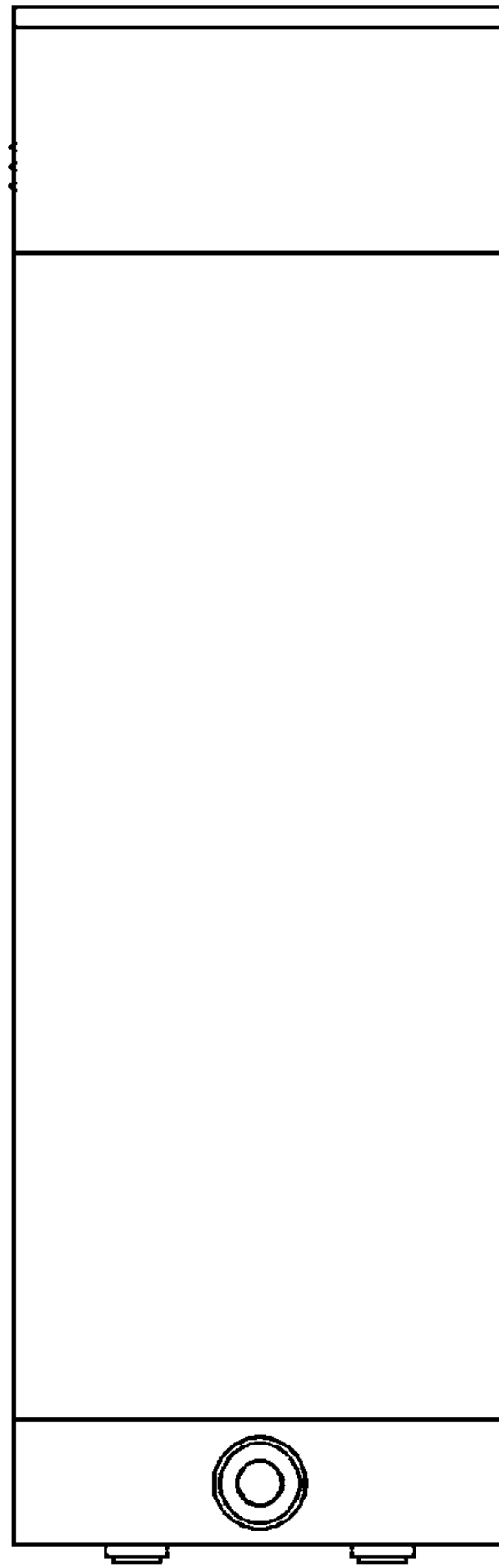


FIG. 3

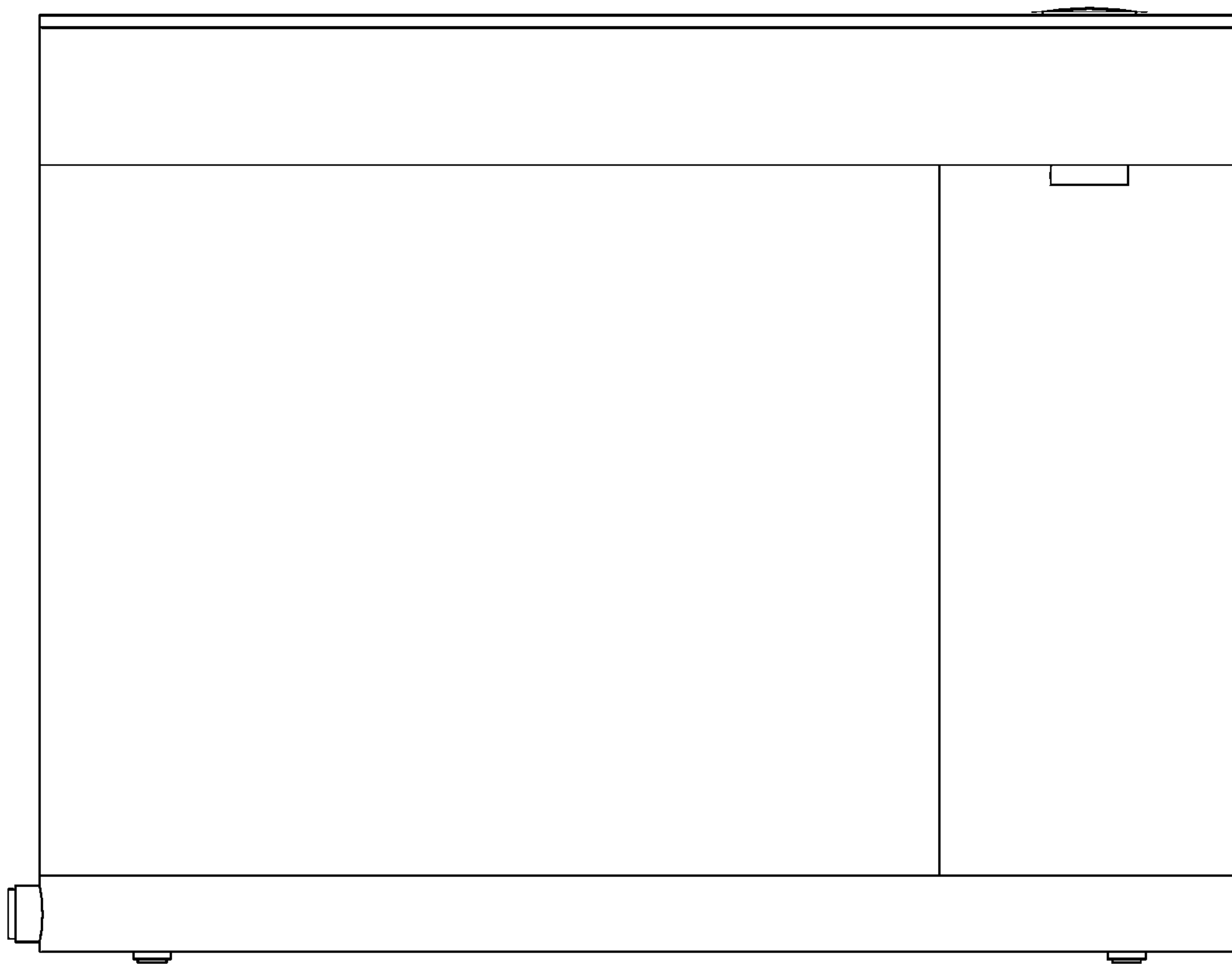


FIG. 4

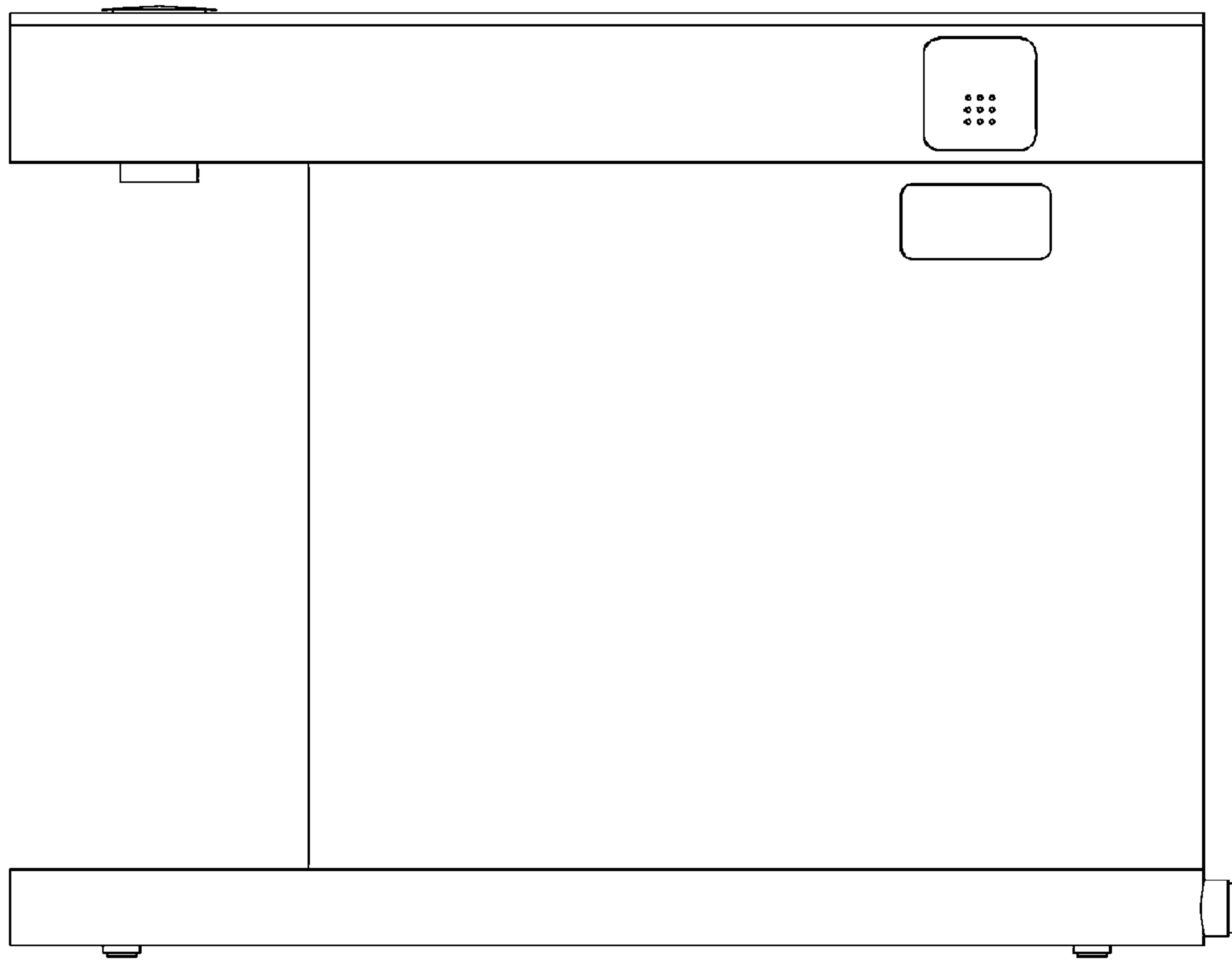


FIG. 5



FIG. 6

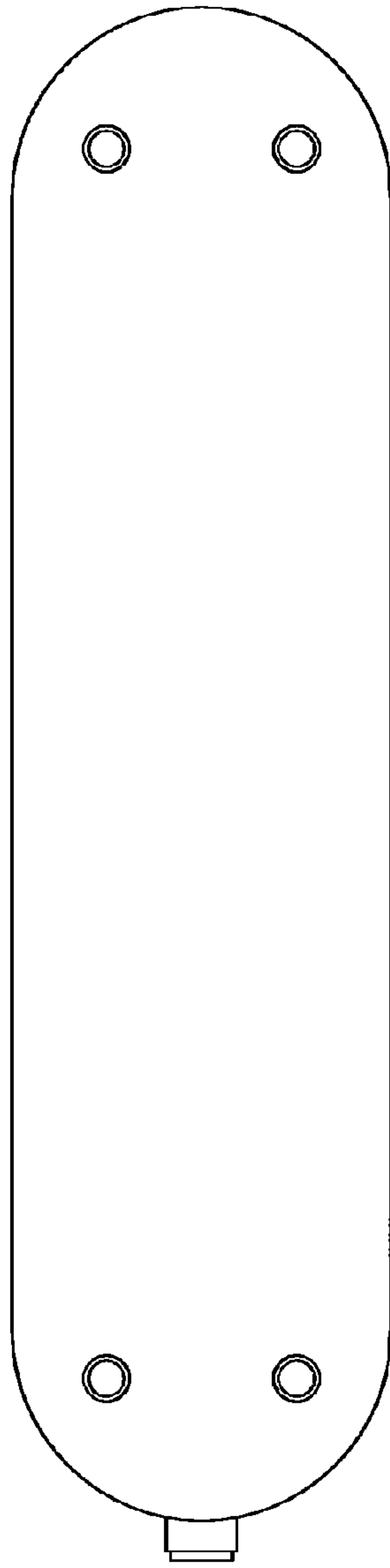


FIG. 7