



US00D683419S

(12) **United States Design Patent**
Rebar

(10) **Patent No.:** **US D683,419 S**

(45) **Date of Patent:** **** May 28, 2013**

(54) **LEAD-FREE AIRGUN PELLET**

(76) **Inventor:** **Peter D. Rebar**, Strongsville, OH (US)

(**) **Term:** **14 Years**

(21) **Appl. No.:** **29/418,094**

(22) **Filed:** **Apr. 12, 2012**

(51) **LOC (9) Cl.** **22-03**

(52) **U.S. Cl.**
USPC **D22/116**

(58) **Field of Classification Search**
USPC D22/115–116; 102/501–529; 86/10,
86/19.5, 23, 25, 46–48, 54–55; 473/569
See application file for complete search history.

(56) **References Cited**

U.S. PATENT DOCUMENTS

2,982,550	A *	5/1961	Francis	473/569
3,450,050	A *	6/1969	Robinson	102/506
3,649,020	A *	3/1972	Hall	473/569
4,005,660	A *	2/1977	Pichard	102/501
4,251,079	A *	2/1981	Earl et al.	473/569
5,016,538	A *	5/1991	Sowash	102/520
5,103,736	A *	4/1992	Sowash	102/523
5,175,394	A *	12/1992	Sowash	102/522
5,214,237	A *	5/1993	McArthur	102/501
6,244,186	B1 *	6/2001	Pichard	102/508
6,526,893	B2 *	3/2003	May et al.	102/508
7,337,725	B2 *	3/2008	Queiroz de Aguiar	102/502
7,428,871	B2 *	9/2008	Dodson et al.	102/502
8,037,796	B2 *	10/2011	Salva	86/54

* cited by examiner

Primary Examiner — Michael A Pratt

(74) *Attorney, Agent, or Firm* — Wegman, Hessler & Vanderburg

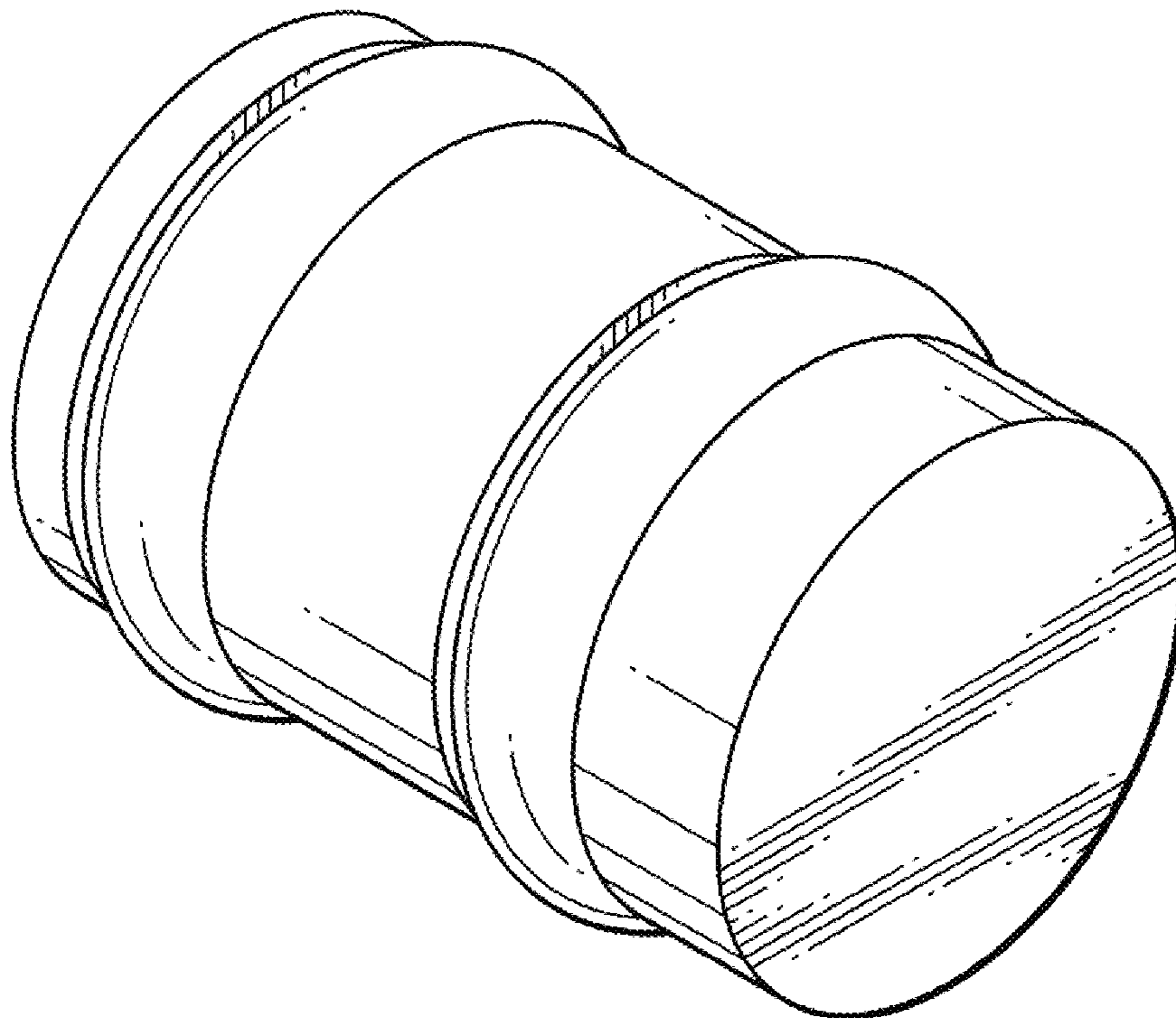
(57) **CLAIM**

I claim the ornamental design for a lead-free airgun pellet, as shown and described.

DESCRIPTION

FIG. 1 is a top perspective view of a first embodiment of a lead-free airgun pellet of the present invention;
 FIG. 2 is front view thereof, wherein the rear view, right side view, and left side view are all mirror images thereof;
 FIG. 3 is a top view thereof, wherein the bottom view is a mirror image thereof;
 FIG. 4 is a top perspective view of a second embodiment of a lead-free airgun pellet of the present invention;
 FIG. 5 is front view thereof, wherein the rear view, right side view, and left side view are all mirror images thereof;
 FIG. 6 is a bottom view thereof; and,
 FIG. 7 is a top view thereof.
 The ornamental design which is claimed is shown in solid lines in the drawings. Any broken lines in the drawings are for illustrative purposes only and form no part of the claimed design.

1 Claim, 2 Drawing Sheets



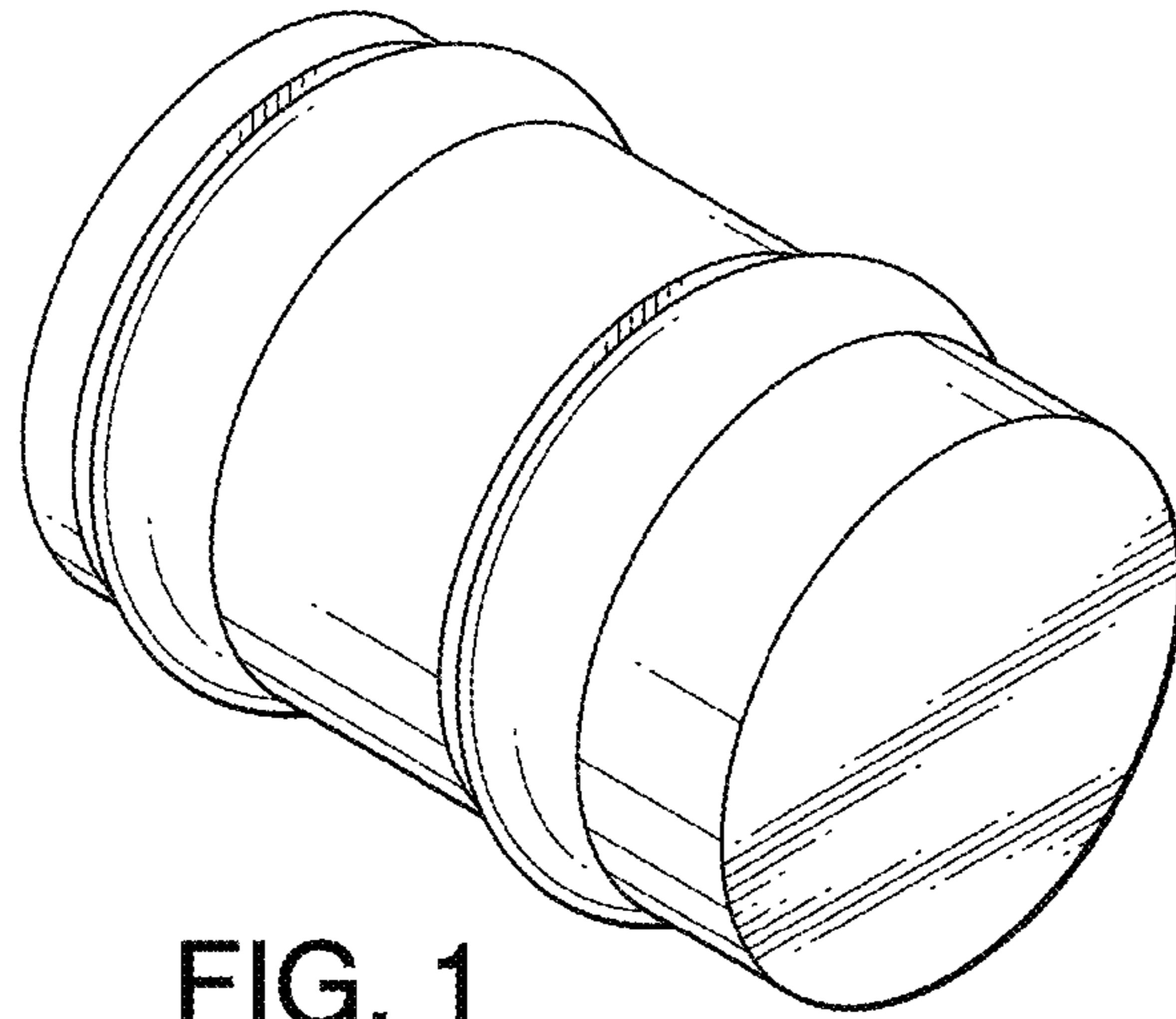


FIG. 1

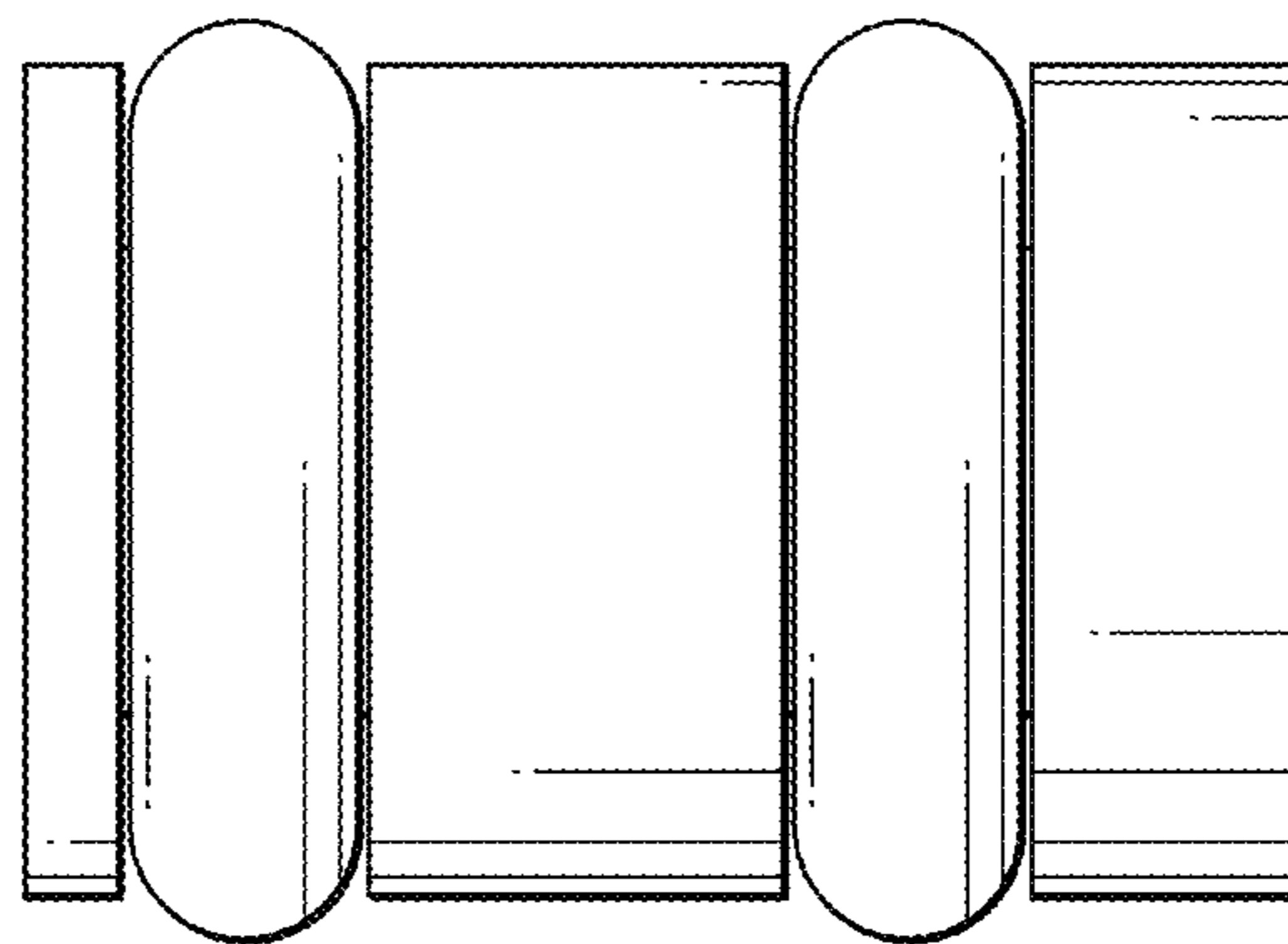


FIG. 2

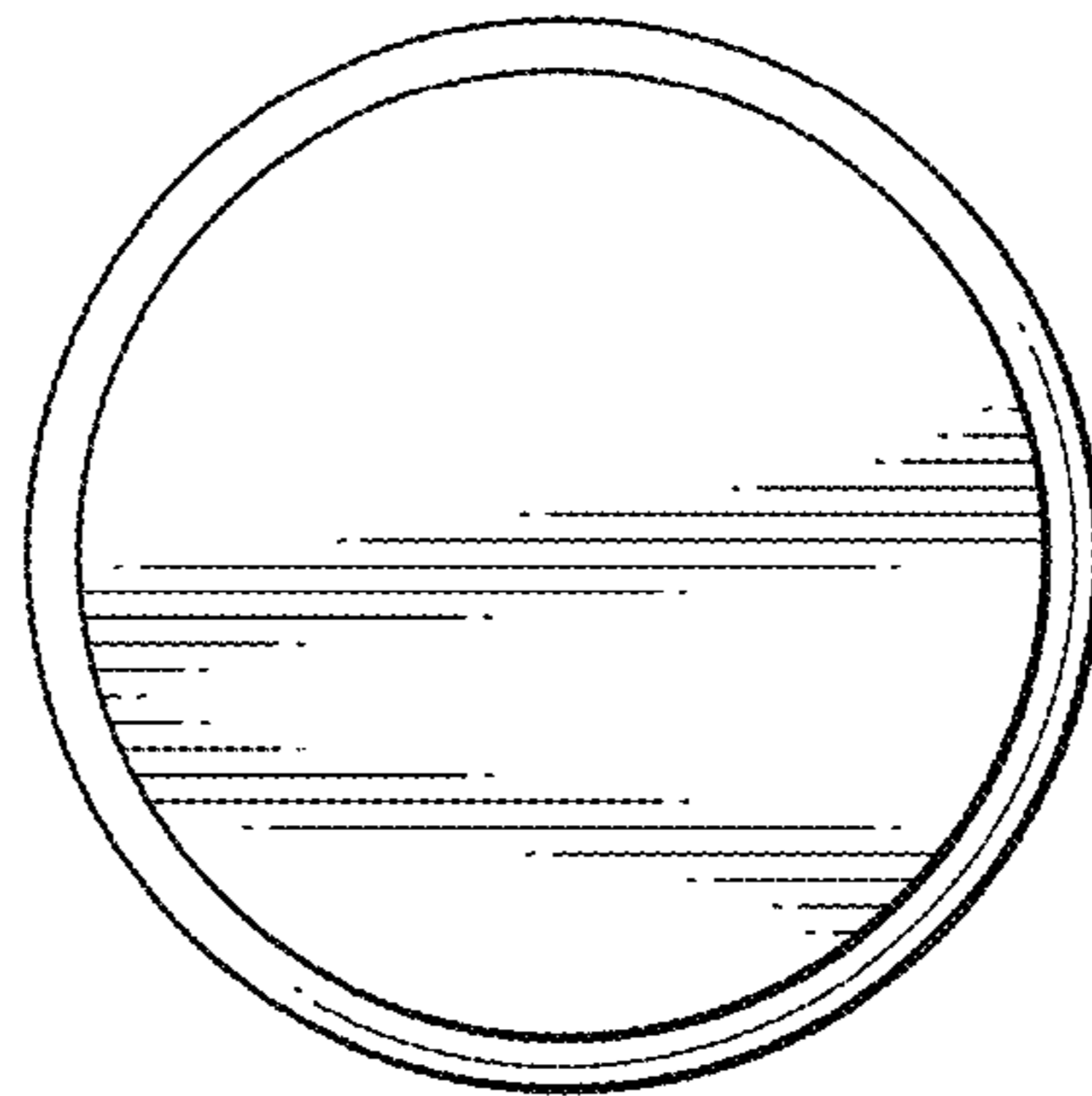


FIG. 3

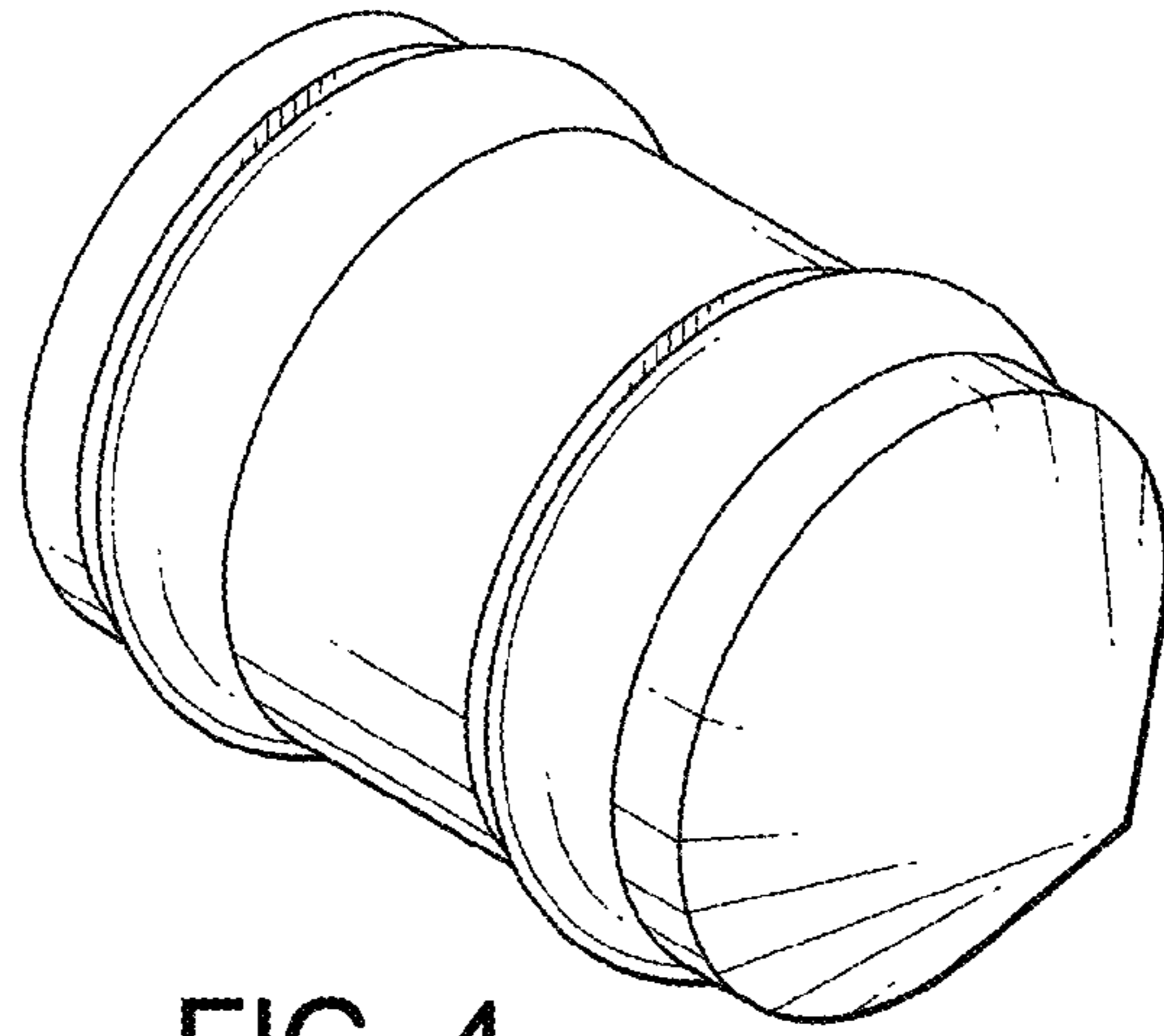


FIG. 4

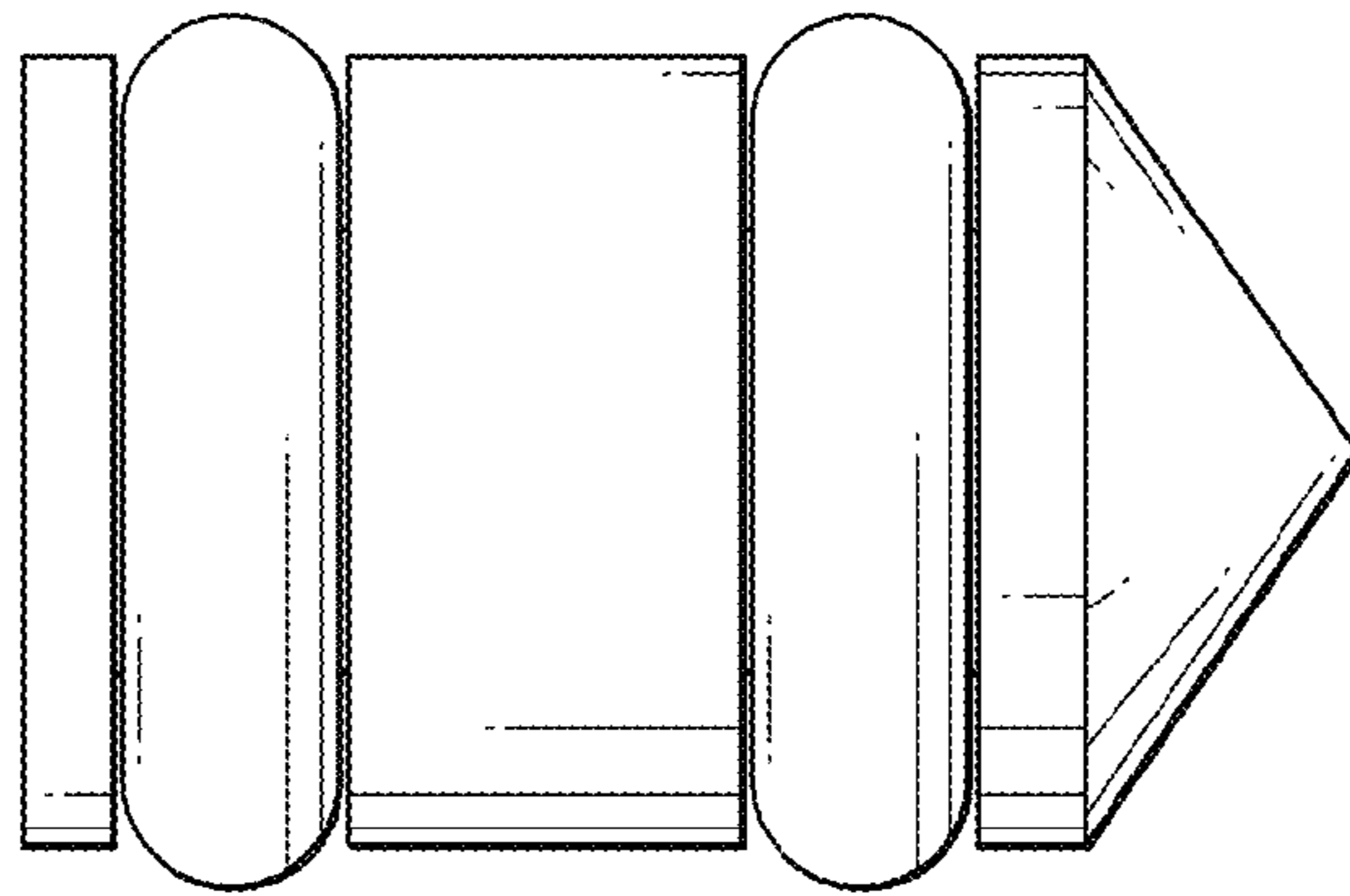


FIG. 5

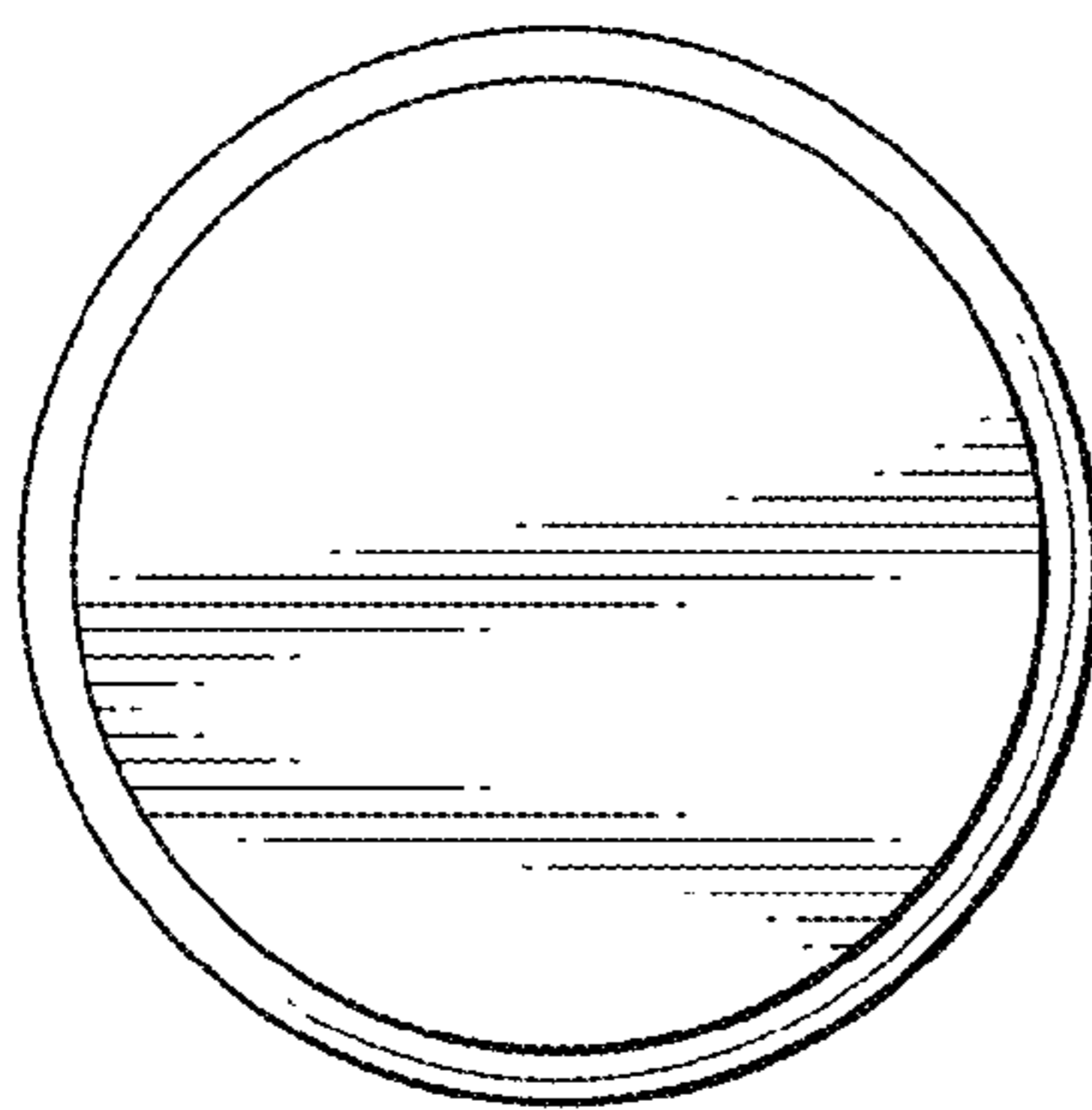


FIG. 6

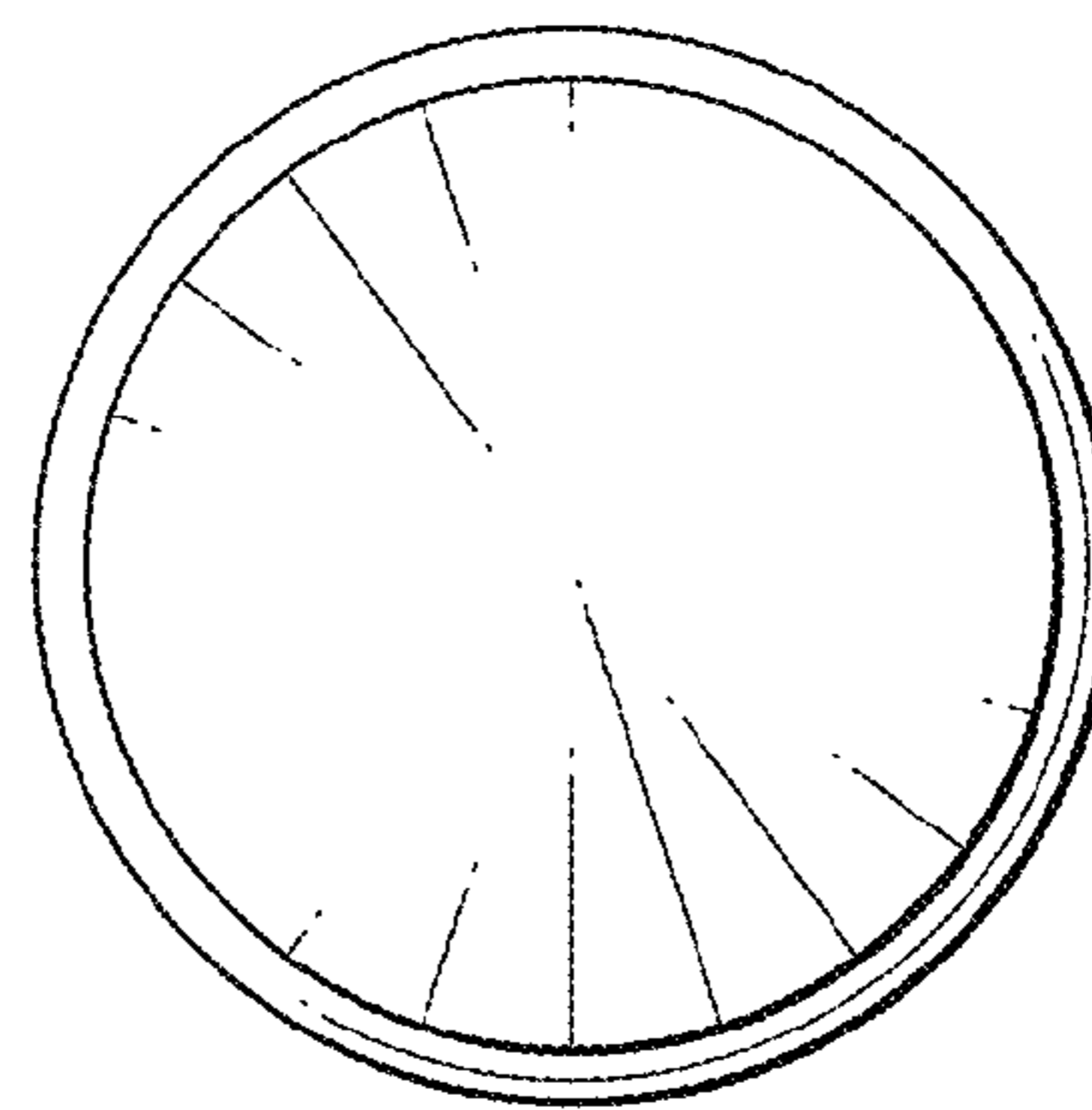


FIG. 7