



US00D683416S

(12) **United States Design Patent**
Yurianto

(10) **Patent No.:** **US D683,416 S**

(45) **Date of Patent:** **** May 28, 2013**

(54) **SHADE STRUCTURE**

(75) Inventor: **Yurianto Yurianto**, Dallas, TX (US)

(73) Assignee: **GABS Holdings, LLC**, Dallas, TX (US)

(**) Term: **14 Years**

(21) Appl. No.: **29/412,632**

(22) Filed: **Feb. 6, 2012**

(51) **LOC (9) Cl.** **21-04**

(52) **U.S. Cl.**
USPC **D21/839**; D25/56; D25/61

(58) **Field of Classification Search** D21/834,
D21/837, 839; D25/22, 56, 61; 52/90.1, 93.1;
125/87, 121, 122, 124, 136, 143, 156, 160,
125/117

See application file for complete search history.

(56) **References Cited**

U.S. PATENT DOCUMENTS

2,823,683 A * 2/1958 Smith et al. 135/127
3,909,993 A * 10/1975 Huddle 135/156

3,925,942 A * 12/1975 Hemmelsbach 135/97
D389,219 S * 1/1998 Liu D21/839
D427,266 S * 6/2000 Wong D21/790
D430,306 S * 8/2000 Goldwitz D25/61
D435,883 S * 1/2001 Laosunthara et al. D21/834
6,266,932 B1 * 7/2001 Van Tassel 135/124
D478,998 S * 8/2003 Funk D25/61

* cited by examiner

Primary Examiner — Cynthia M Chin

(74) *Attorney, Agent, or Firm* — David H. Judson

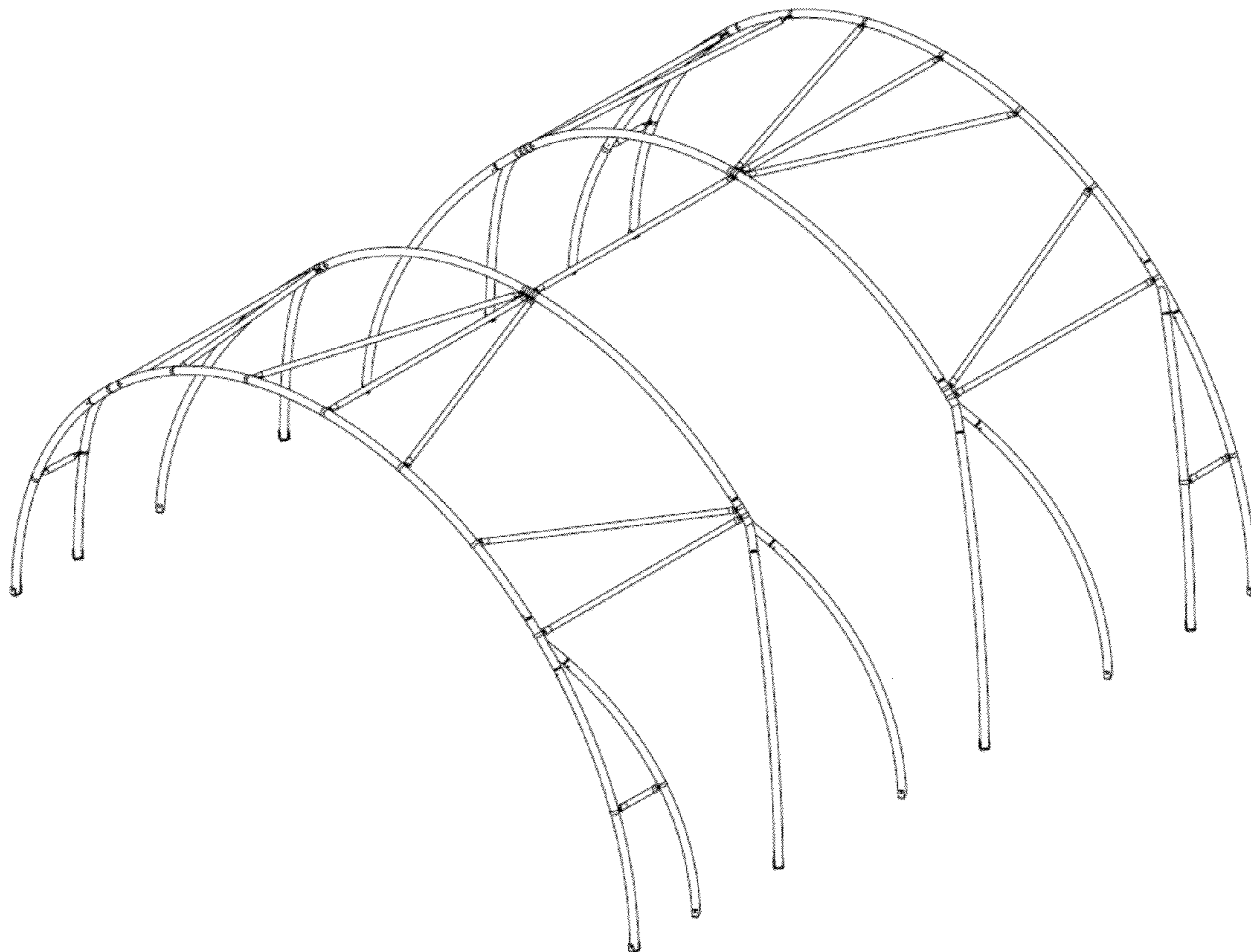
(57) **CLAIM**

The ornamental design for a shade structure, as shown and described.

DESCRIPTION

FIG. 1 is a perspective view of the shade structure;
FIG. 2 is a plan view of the structure of FIG. 1;
FIG. 3 is an end view of the structure of FIG. 1; and,
FIG. 4 is an elevation view of the structure of FIG. 1.

1 Claim, 3 Drawing Sheets



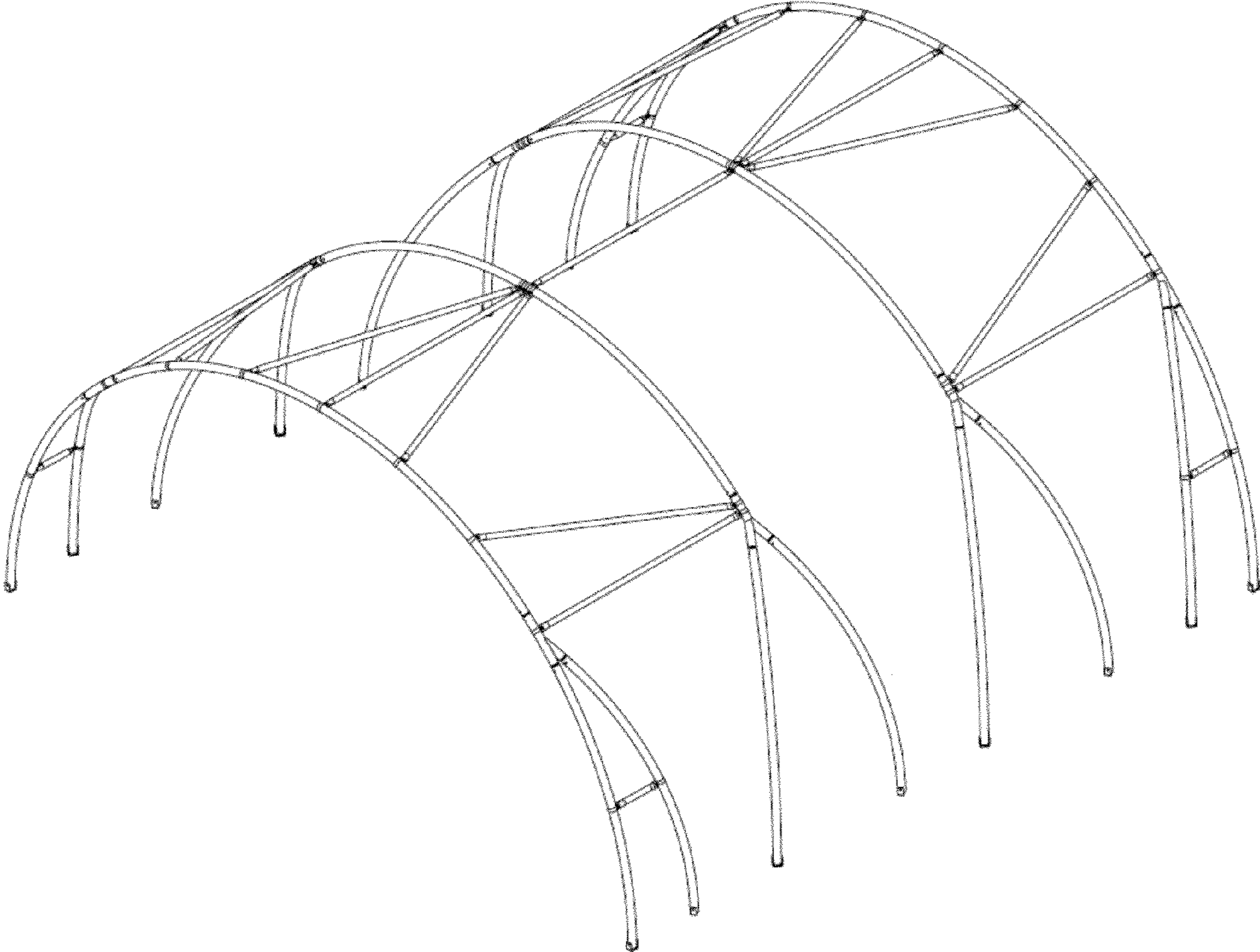


FIG. 1

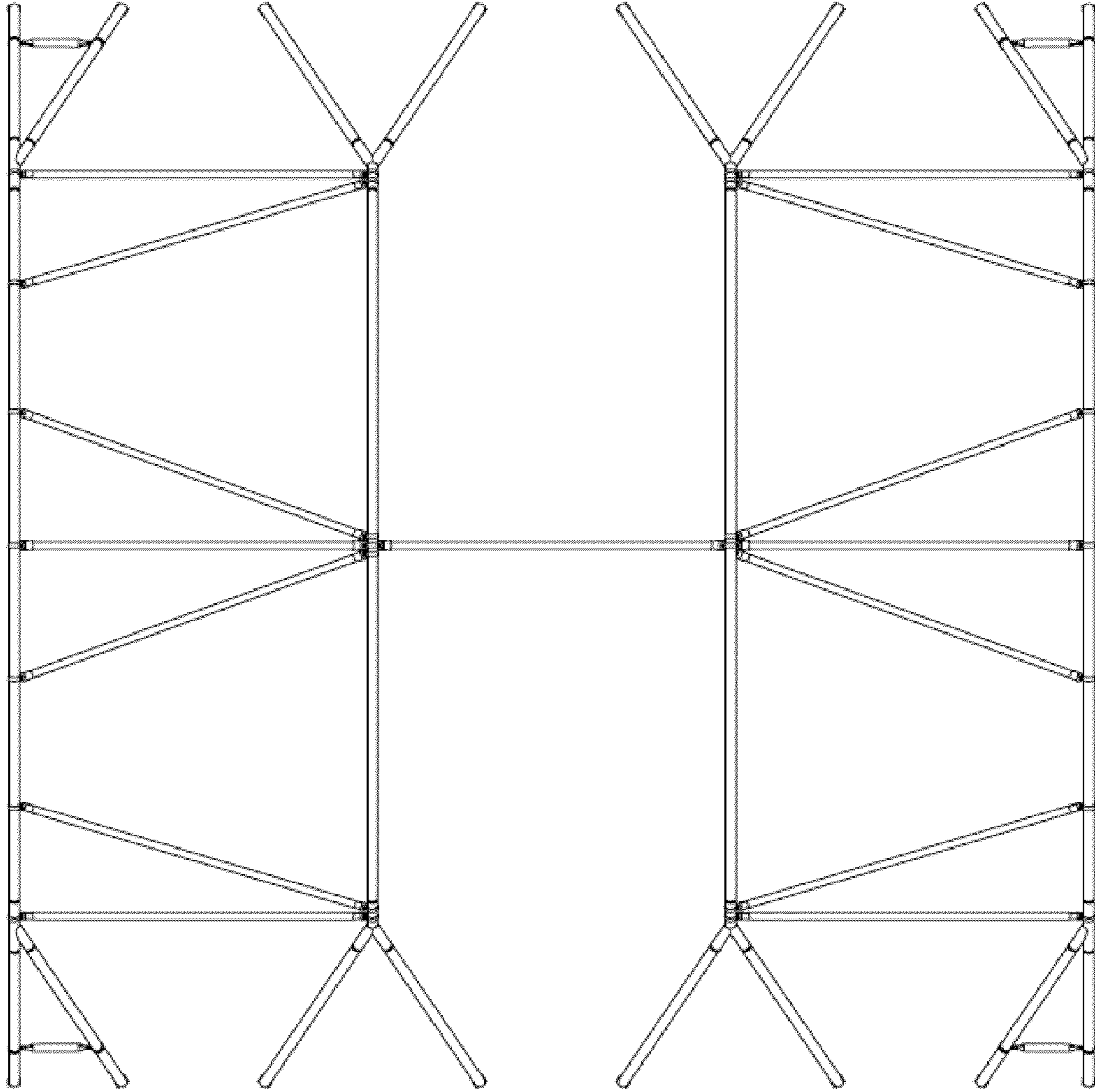


FIG. 2

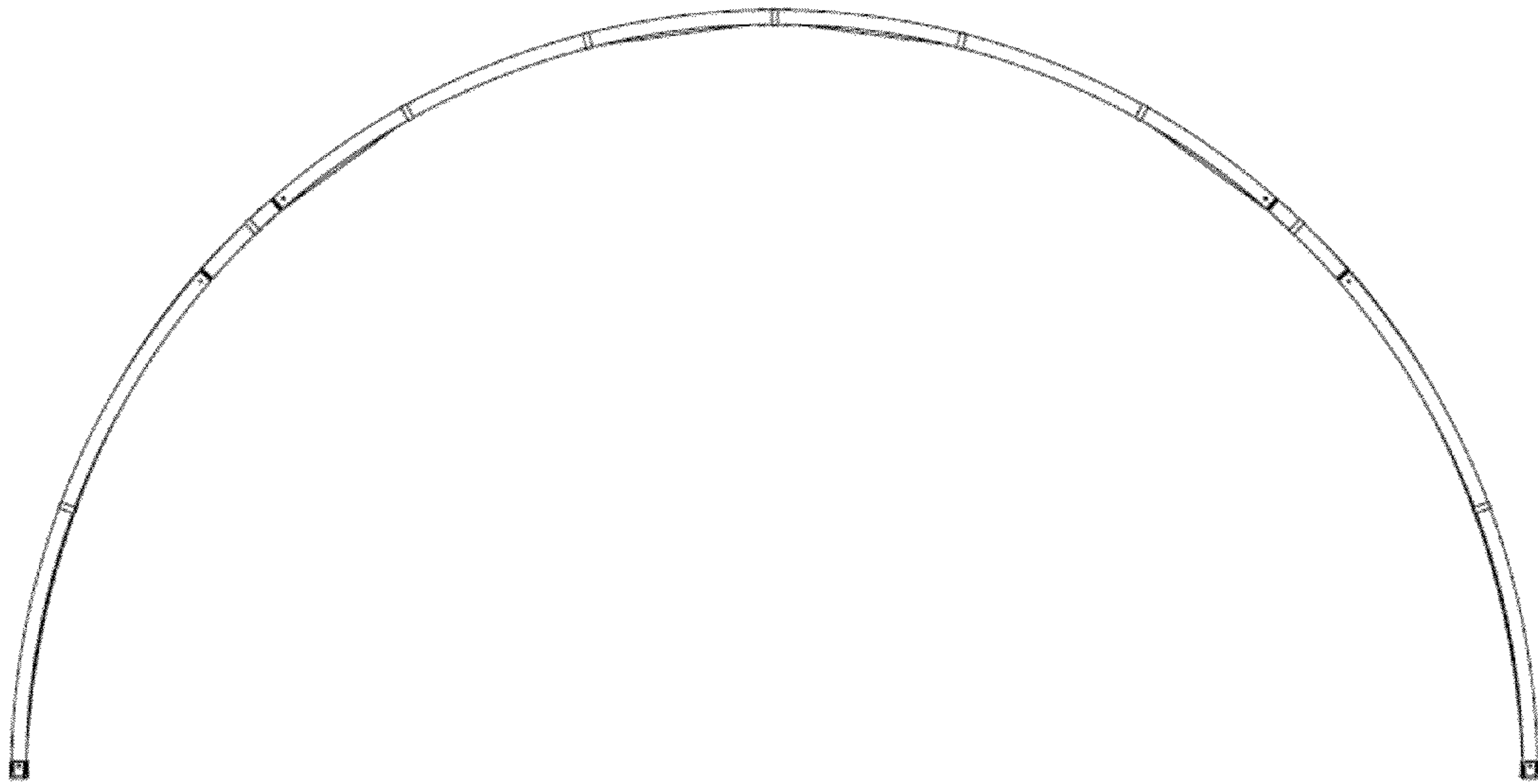


FIG. 3

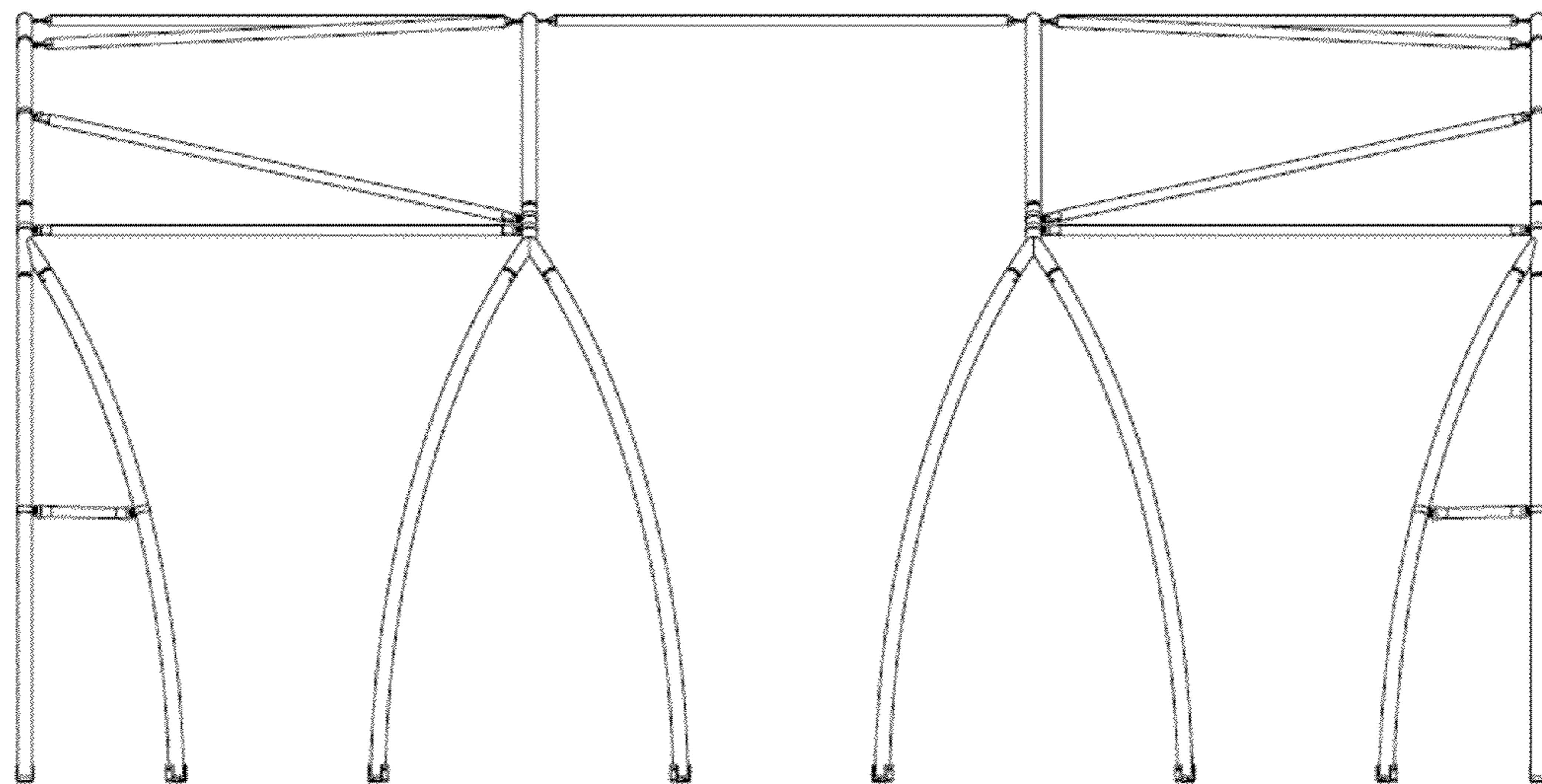


FIG. 4