



US00D683414S

(12) **United States Design Patent**
Bell

(10) **Patent No.:** **US D683,414 S**

(45) **Date of Patent:** **** May 28, 2013**

(54) **SURFER'S HAND PLANE WITH CAMERA MOUNT**

(76) Inventor: **Daniel A. Bell**, Vacaville, CA (US)

(**) Term: **14 Years**

(21) Appl. No.: **29/422,653**

(22) Filed: **May 22, 2012**

(51) **LOC (9) Cl.** **21-01**

(52) **U.S. Cl.**
USPC **D21/806**

(58) **Field of Classification Search**
USPC D21/801, 803, 804, 806, 807; 441/55,
441/56, 58, 60, 61; D16/242; 396/25
See application file for complete search history.

(56) **References Cited**

U.S. PATENT DOCUMENTS

D183,045 S	10/1876	Dunlop
1,062,587 A	5/1913	Goersch
2,017,463 A	4/1934	Komadina
D193,455 S	8/1962	Lassonde
D222,708 S	12/1971	Balla
D286,904 S	11/1986	Kim
4,932,911 A	6/1990	Albrecht
5,009,623 A	4/1991	Lueschen
D318,894 S	8/1991	Harling
D321,547 S	11/1991	Albrecht
5,304,080 A	4/1994	Dilger
D397,187 S	8/1998	Reeder

D398,362 S	*	9/1998	Larmont	D21/806
D399,905 S	*	10/1998	VanderMolen	D21/806
D412,353 S	*	7/1999	Falconer	D21/807
D438,278 S	*	2/2001	McCarthy	D21/806
D484,559 S		12/2003	Peek		
D570,437 S	*	6/2008	Larmont	D21/804
D585,104 S	*	1/2009	McCarthy	D21/807
D599,429 S	*	9/2009	King et al.	D21/807

* cited by examiner

Primary Examiner — Zenia Bennett

(74) *Attorney, Agent, or Firm* — QuickPatents; Kevin Prince

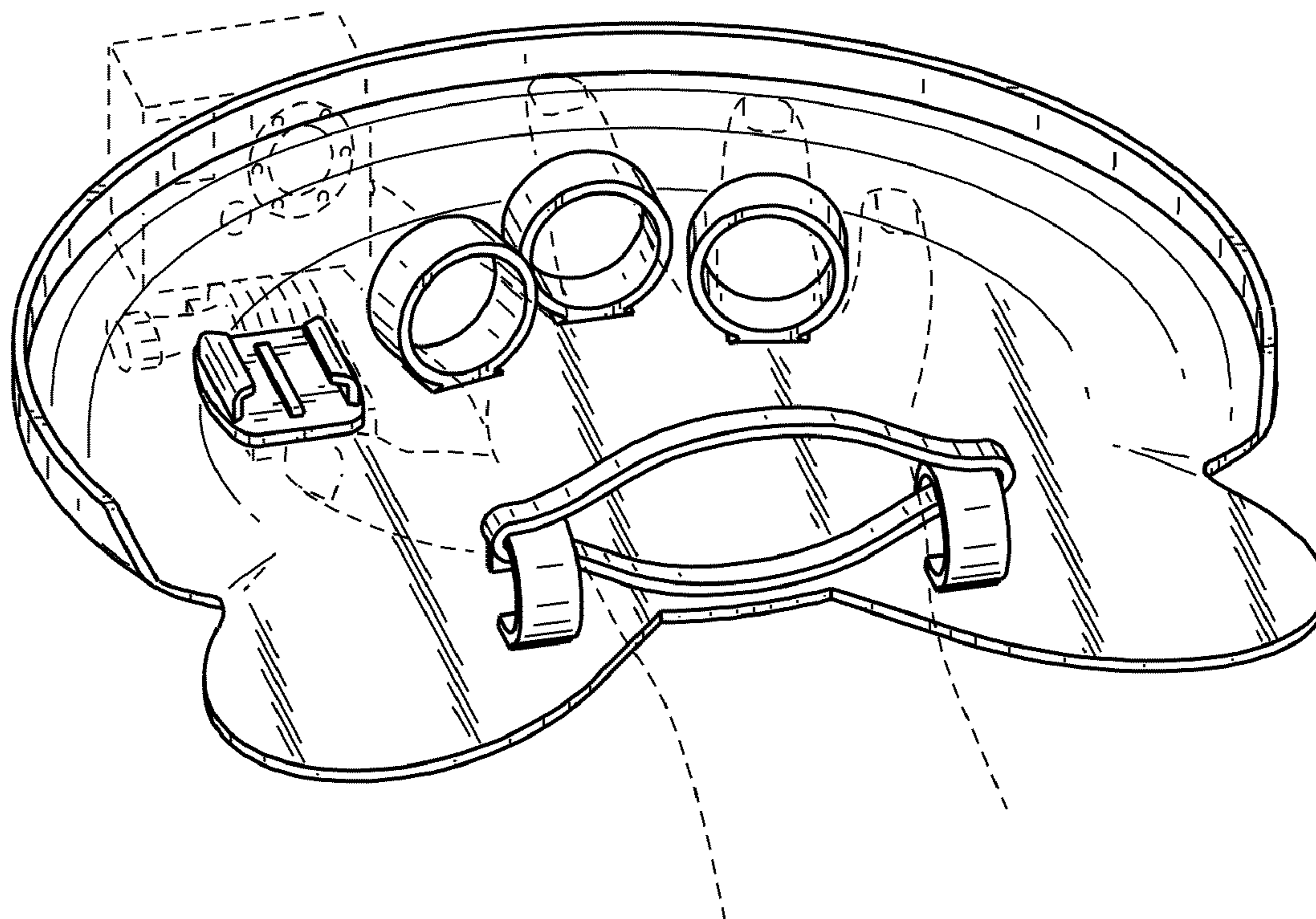
(57) **CLAIM**

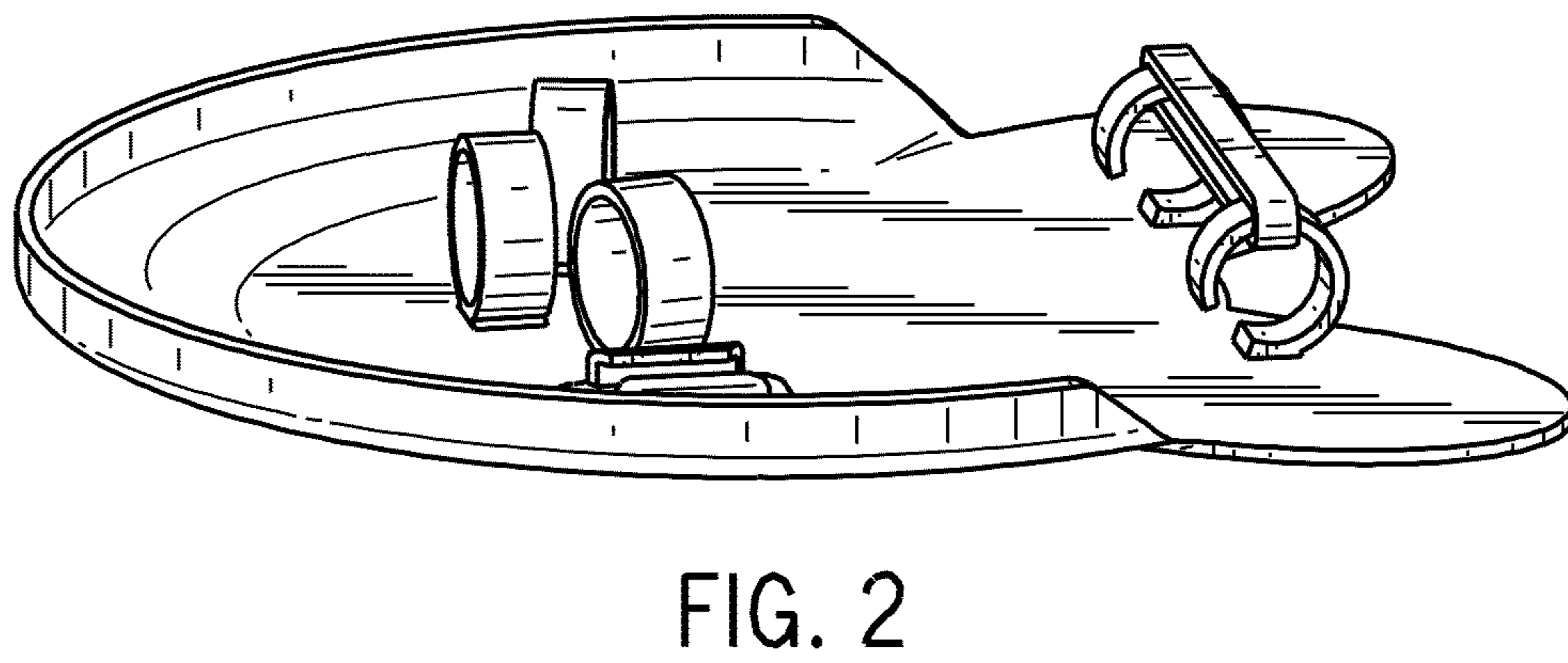
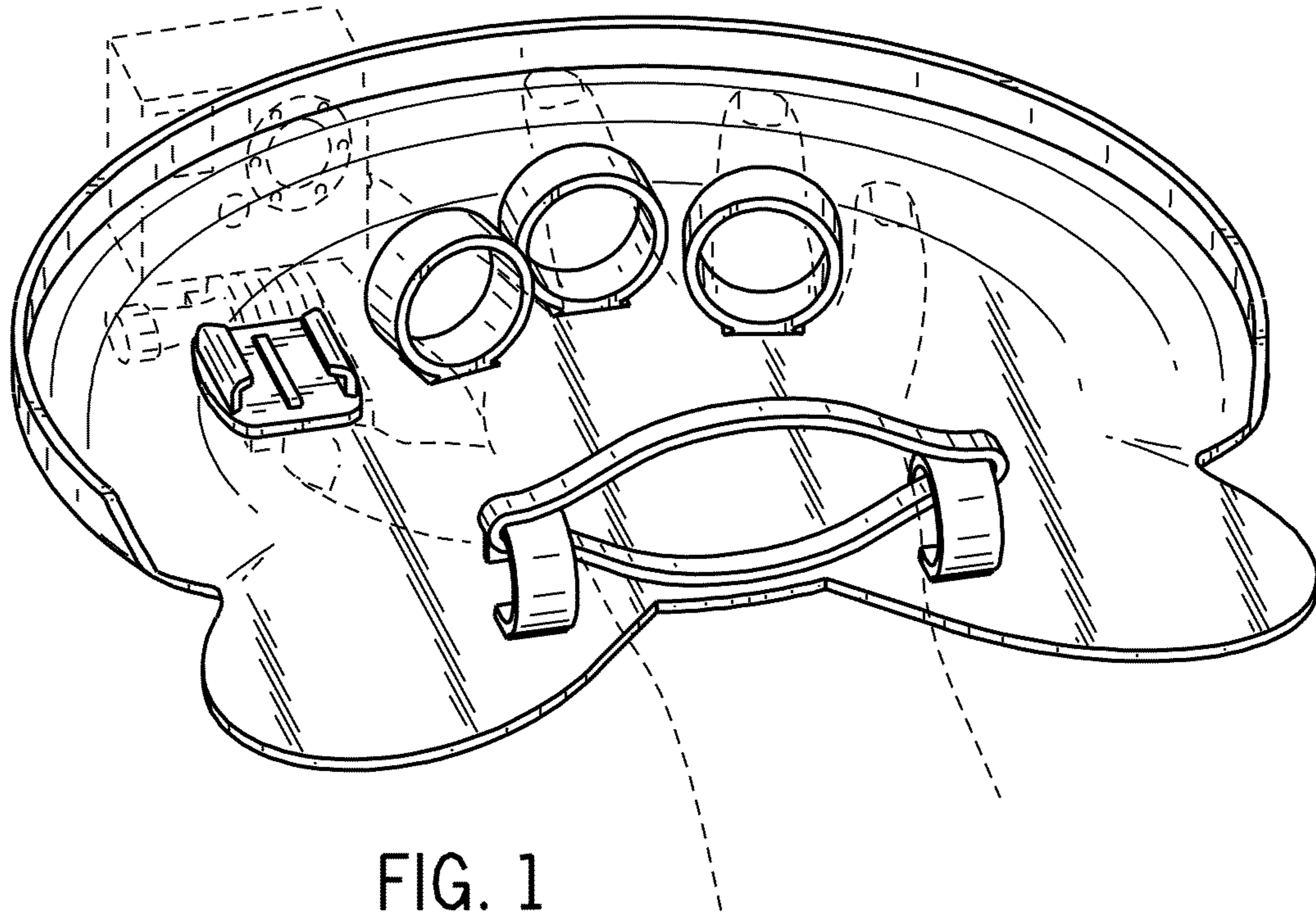
I claim the ornamental design for a surfer's hand plane with camera mount, as shown and described.

DESCRIPTION

FIG. 1 is a rear perspective view of a surfer's hand plane with camera mount, showing my new design with a wrist securement band in an expanded position; FIG. 2 is a perspective view thereof, illustrated with the wrist securement band in a collapsed position; FIG. 3 is a top plan view thereof; FIG. 4 is a bottom plan view thereof; FIG. 5 is a rear elevational view thereof; FIG. 6 is a left-side elevational view thereof, the right-side elevational view being a mirror image thereof; and, FIG. 7 is a front elevational view thereof. The broken lines showing a person's hand and camera in FIG. 1 depict environmental matter and form no part of the claimed design.

1 Claim, 3 Drawing Sheets





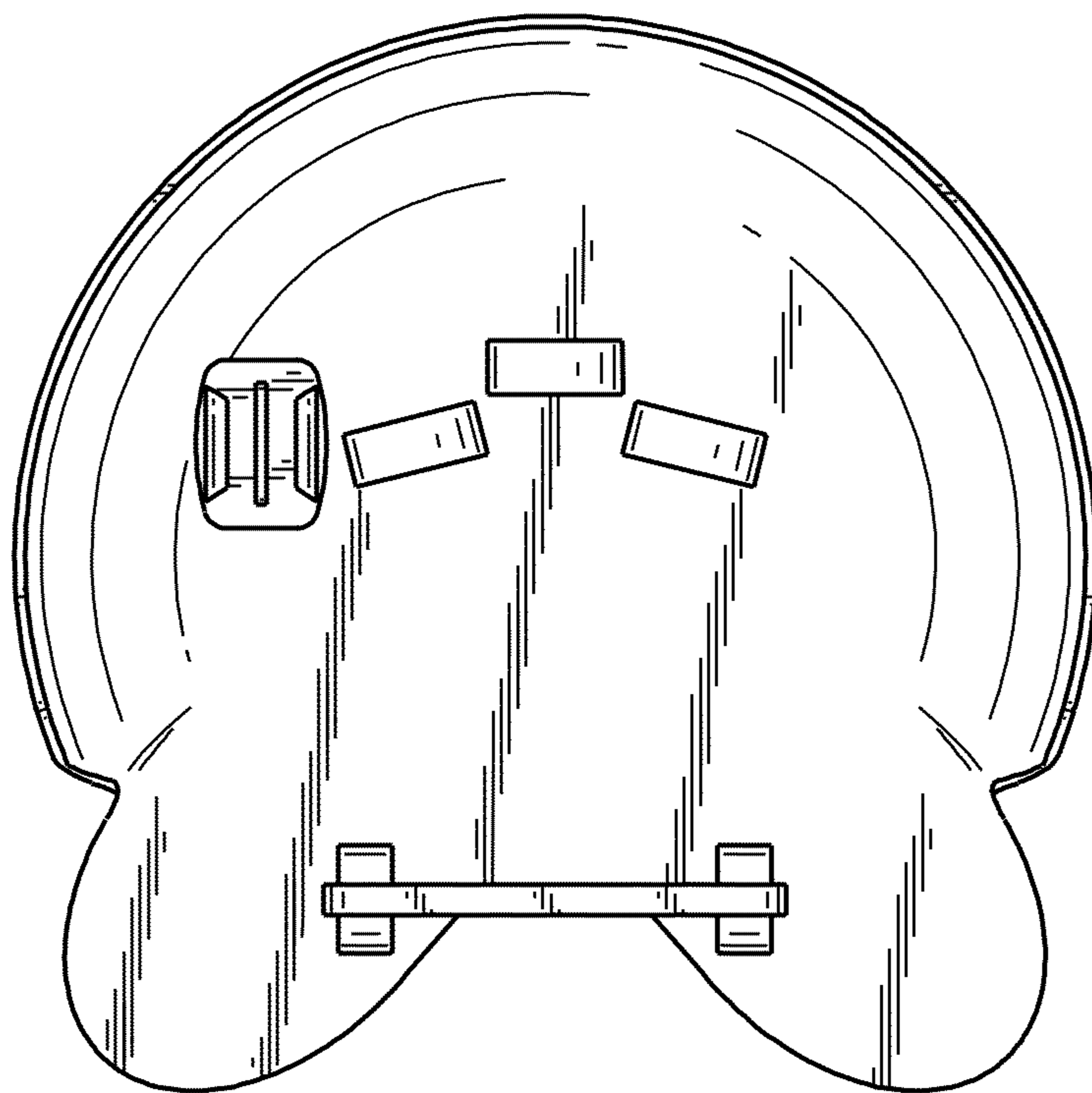


FIG. 3

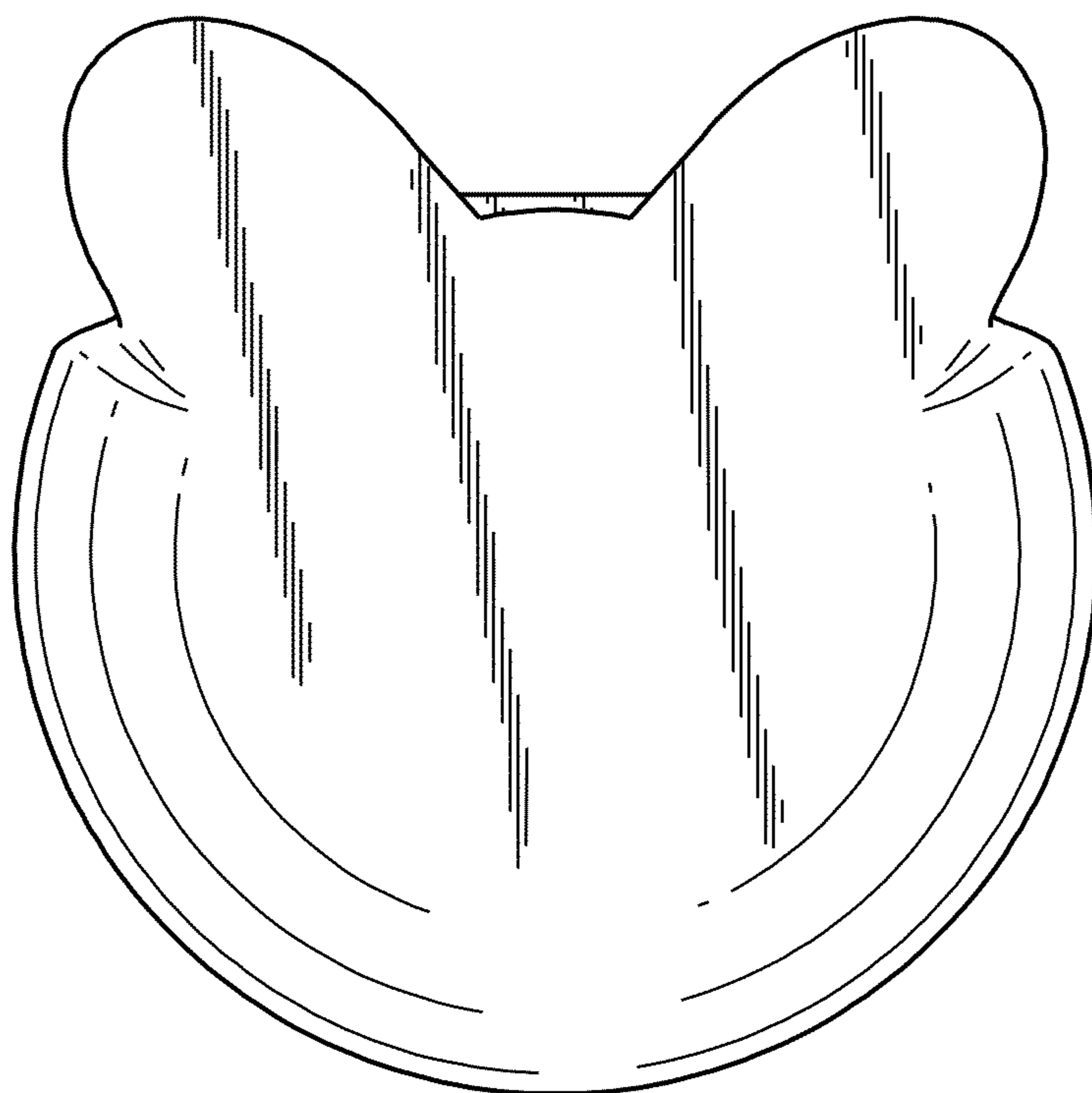


FIG. 4

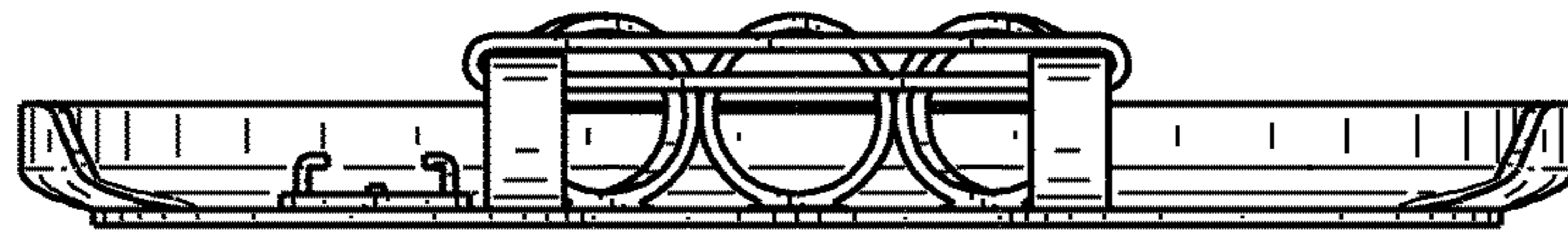


FIG. 5

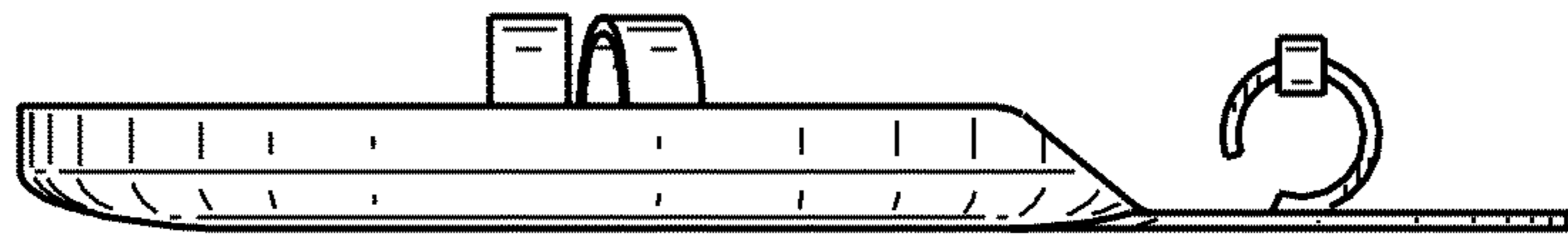


FIG. 6

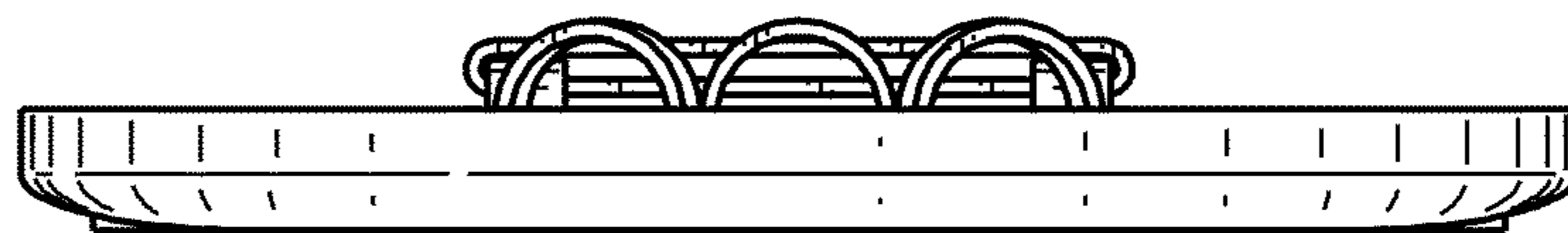


FIG. 7