



US00D683407S

(12) **United States Design Patent**
Austria

(10) **Patent No.:** **US D683,407 S**

(45) **Date of Patent:** **** May 28, 2013**

(54) **MEDICATION LABEL FLAG**

(76) **Inventor:** **Georgene Austria**, Calabasas, CA (US)

(**) **Term:** **14 Years**

(21) **Appl. No.:** **29/423,168**

(22) **Filed:** **May 29, 2012**

(51) **LOC (9) Cl.** **19-08**

(52) **U.S. Cl.**
USPC **D20/22**

(58) **Field of Classification Search** D20/10,
D20/11, 22-28, 40, 99; 40/1.5, 6, 27.5,
124.01-124.09, 124.11-124.19, 124.191,
40/299.01, 300, 312, 360, 630, 638, 641,
40/645, 658, 673; 283/56, 71, 81, 88, 106,
283/107; 428/40.1, 42.1-42.3, 87, 195.1,
428/914; 47/65.6; D8/1; D32/40

See application file for complete search history.

(56) **References Cited**

U.S. PATENT DOCUMENTS

334,981	A *	1/1886	Rampe, Jr.	40/658
3,442,378	A	5/1969	Wolfe et al.	
D231,714	S *	5/1974	Arthur	D20/22
4,930,234	A *	6/1990	Schmidt	40/1.5
D355,513	S *	2/1995	Posenauer	D32/40
6,212,803	B1	4/2001	Key	
D450,130	S	11/2001	Goldstein	
6,955,002	B2	10/2005	Sandel et al.	

7,458,177 B2 12/2008 Sandel et al.
D662,989 S * 7/2012 Vulgamott et al. D20/22
2005/0223640 A1* 10/2005 Hall et al. 47/65.6

* cited by examiner

Primary Examiner — Mary Ann Calabrese
(74) *Attorney, Agent, or Firm* — Law Office of Ken Dallara;
Ken Dallara

(57) **CLAIM**

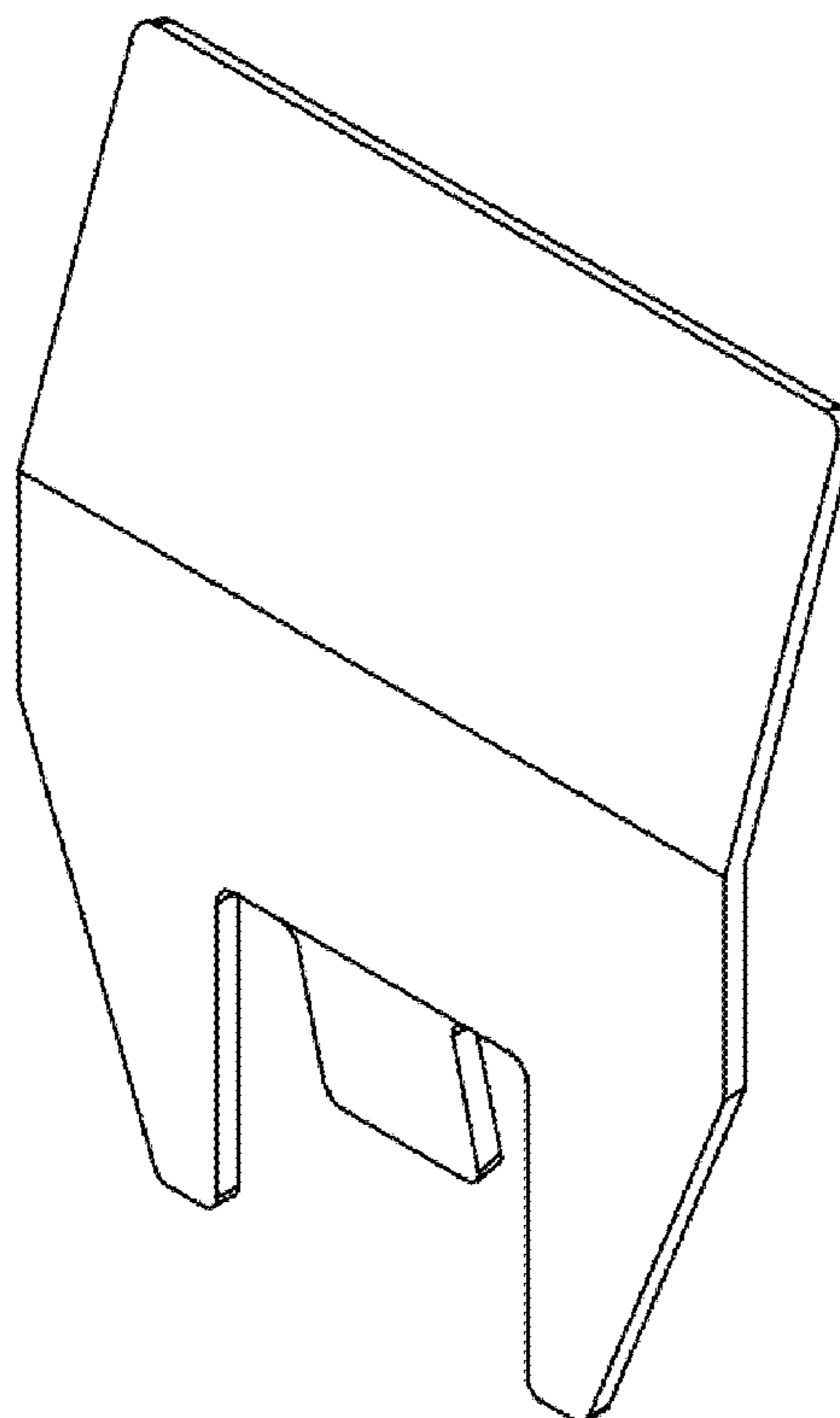
An ornamental design for a medication label flag, as shown and described.

DESCRIPTION

FIG. 1 is a rear elevation view of the medication label flag showing our new design;
FIG. 2 is the right side elevation view of the flag thereof;
FIG. 3 is the left side elevation view of the flag thereof;
FIG. 4 is a front elevation view of the flag thereof;
FIG. 5 is the top elevation view of the flag thereof;
FIG. 6 is the bottom elevation view of the flag thereof;
FIG. 7 is a isometric view of the left side and front of the flag thereof; and,
FIG. 8 is a isometric view of the right side and front of the flag as it is mounted onto the lid of a medication cup and a medication label has been located onto the flag as it would be used, thereof.

In the drawings, the broken lines illustrate environment and form no part of the claimed design.

1 Claim, 3 Drawing Sheets



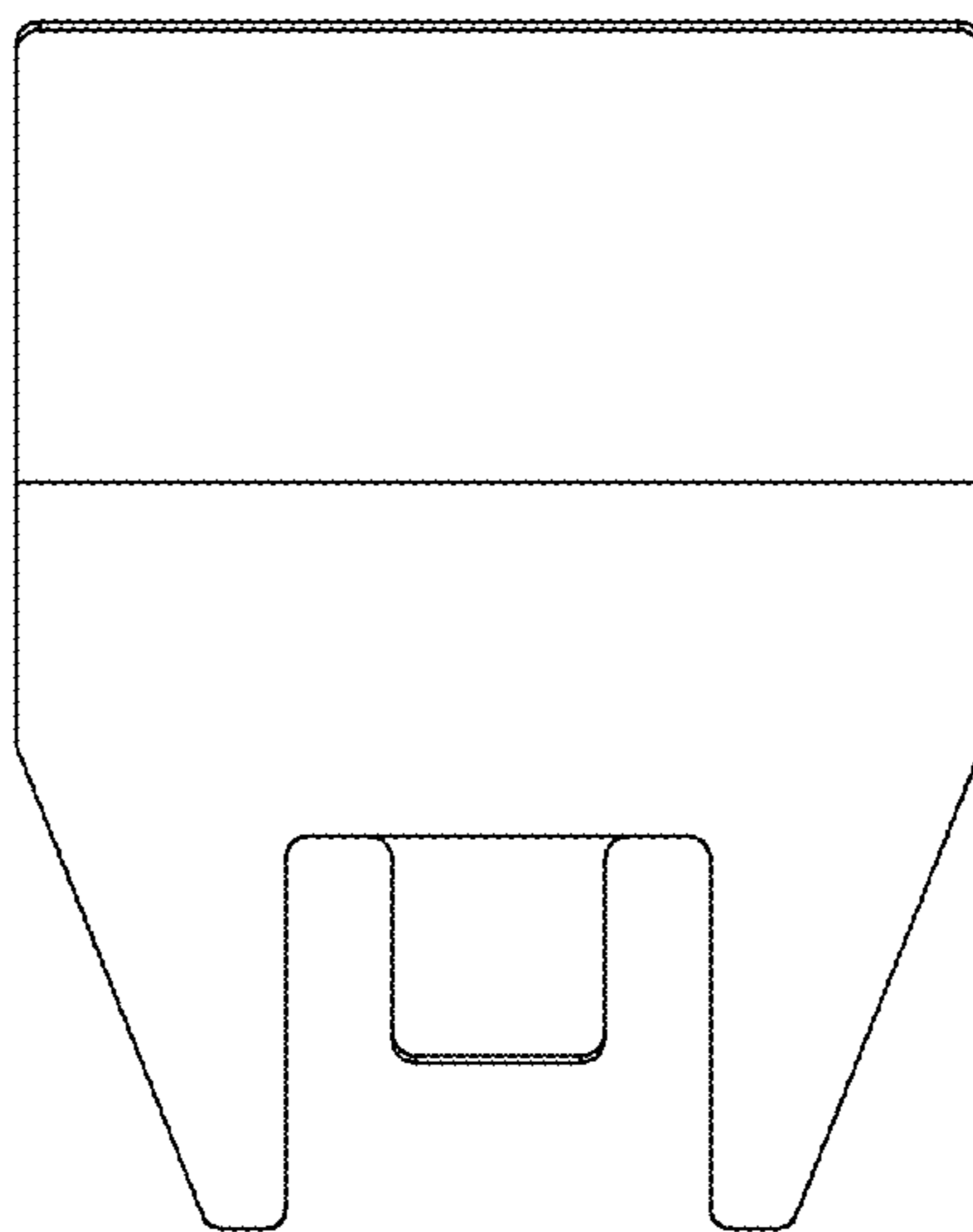


FIG. 1



FIG. 2

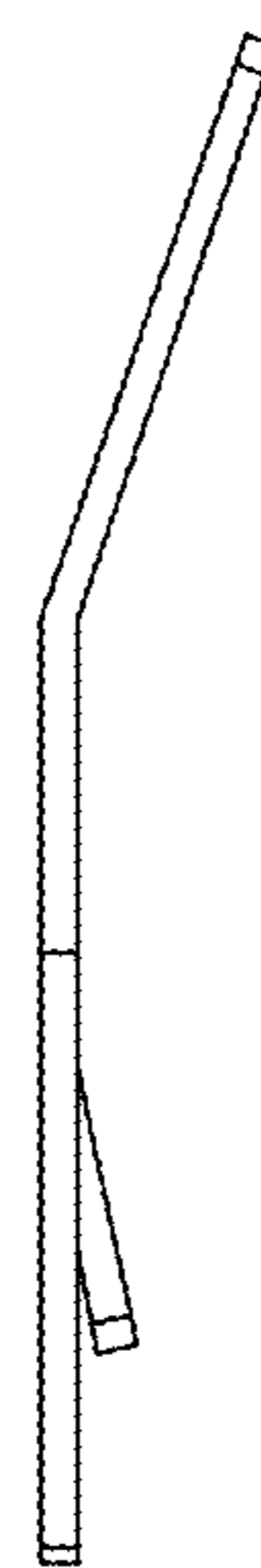


FIG. 3

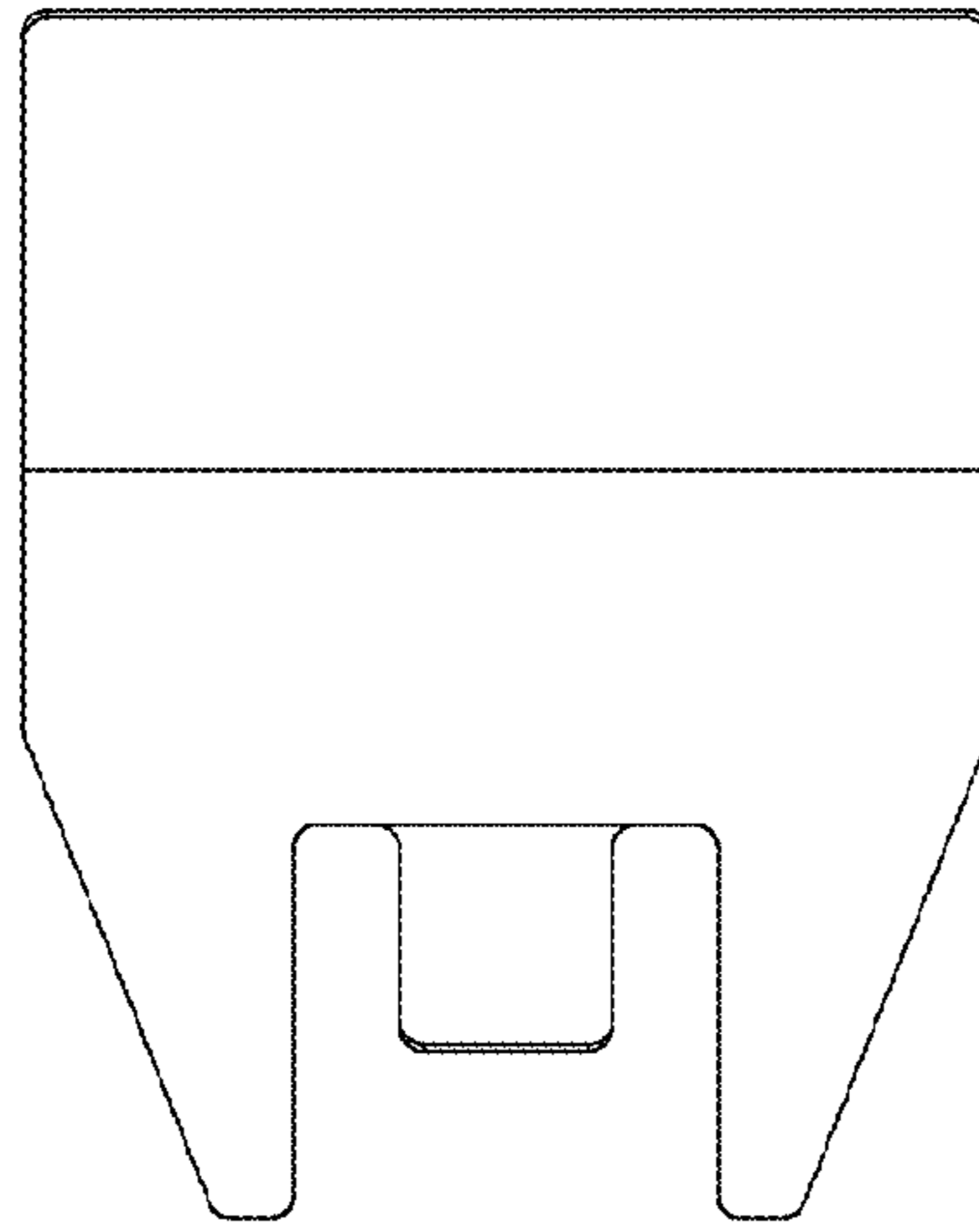


FIG. 4



FIG. 5

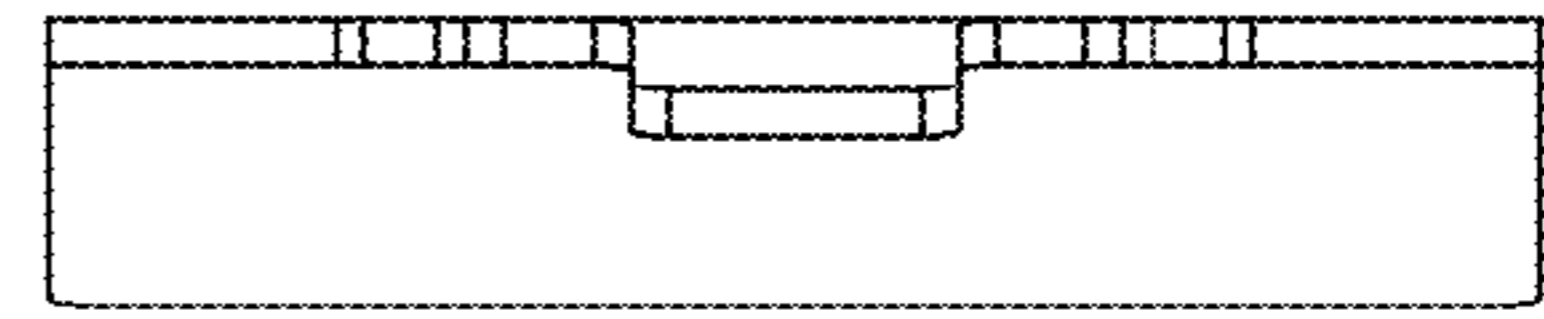


FIG. 6

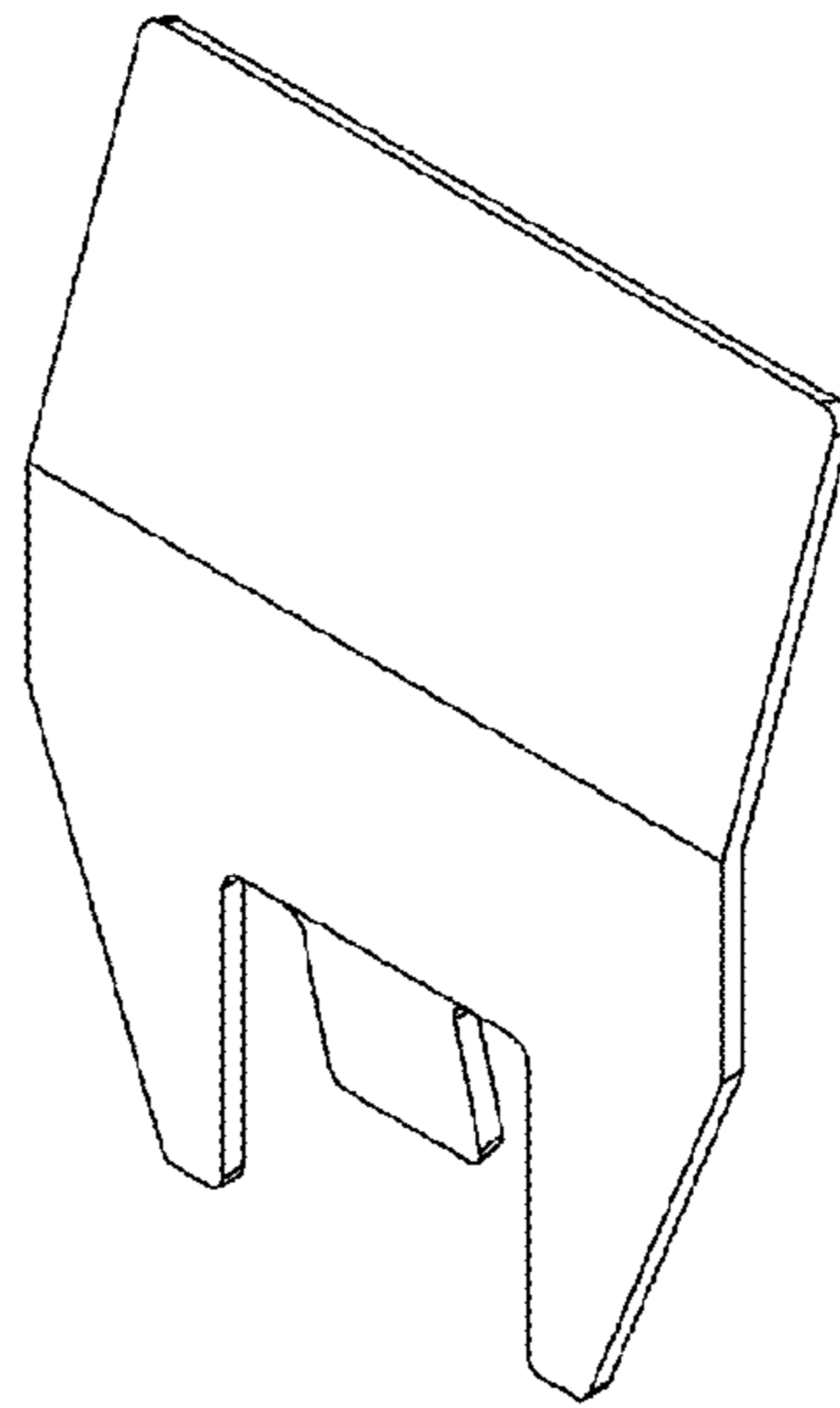


FIG. 7

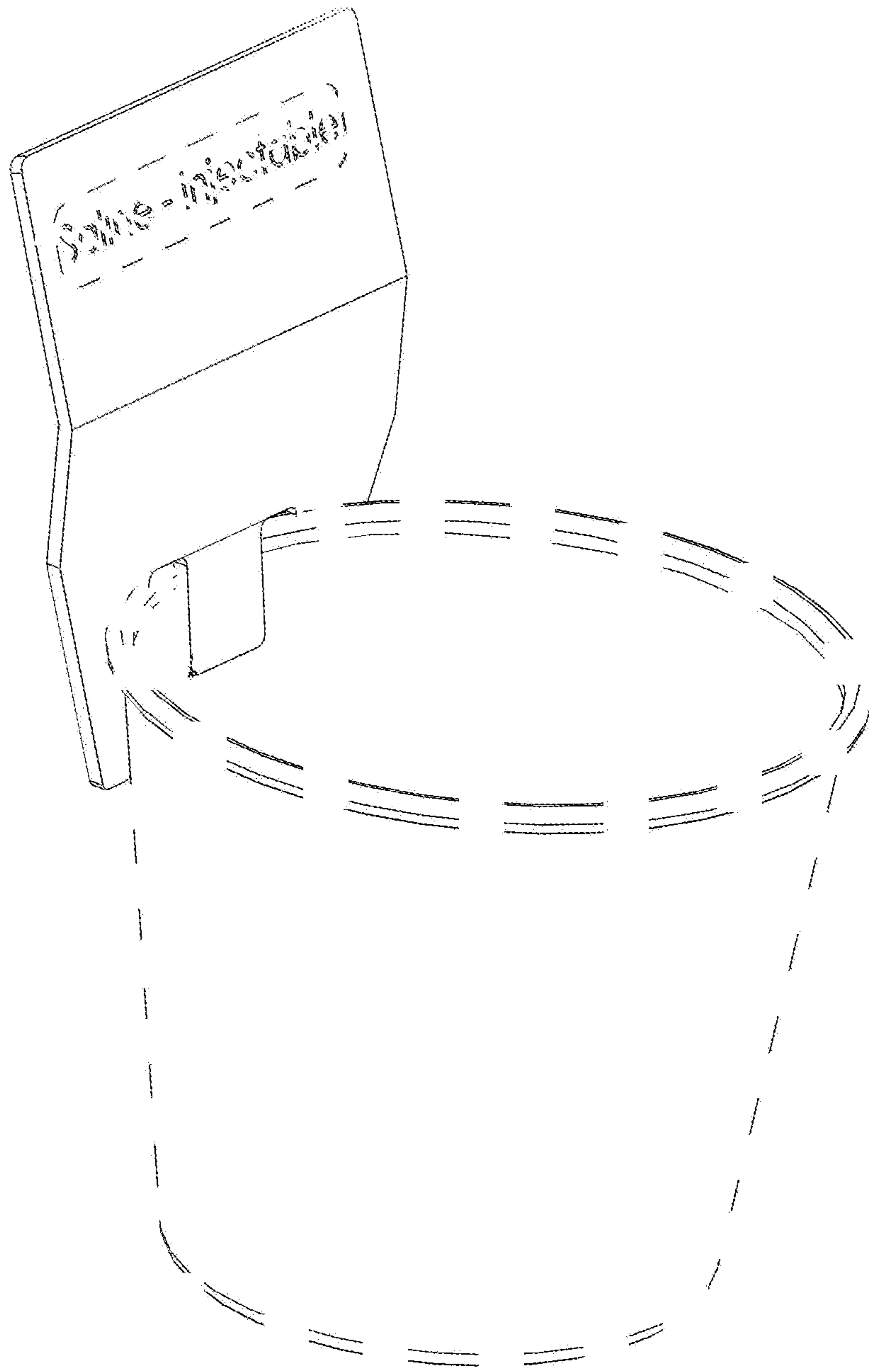


FIG. 8