



US00D683403S

(12) **United States Design Patent**
Vasconcelos

(10) **Patent No.:** **US D683,403 S**

(45) **Date of Patent:** **** May 28, 2013**

(54) **MEMO BOARD**

(75) **Inventor:** **João Pedro Vasconcelos, Esmoriz (PT)**

(73) **Assignee:** **Bi-Silque- Artigos Para Casa e Escritorio, S.A., Esmoriz (PT)**

(**) **Term:** **14 Years**

(21) **Appl. No.:** **29/399,727**

(22) **Filed:** **Aug. 17, 2011**

(30) **Foreign Application Priority Data**

Feb. 17, 2011 (EP) 001822776-0001

(51) **LOC (9) Cl.** **19-06**

(52) **U.S. Cl.**
USPC **D19/52**

(58) **Field of Classification Search**
USPC D6/300, 310; D14/336, 371, 374; D19/52;
D20/10, 27, 39, 40, 42; 40/581, 584, 611.01;
312/230; 345/173; 434/408, 410, 415
See application file for complete search history.

(56) **References Cited**

U.S. PATENT DOCUMENTS

| | | | | |
|-----------|-----|---------|-----------------------|---------|
| 1,810,305 | A * | 6/1931 | Tracy et al. | 434/414 |
| 1,963,124 | A * | 6/1934 | Free | 40/790 |
| 2,182,481 | A * | 12/1939 | Lowr | 434/417 |
| 3,363,341 | A * | 1/1968 | Glassman | 434/417 |
| 4,271,619 | A * | 6/1981 | Schmidt | 40/782 |
| 4,727,431 | A * | 2/1988 | Nakamura et al. | 358/401 |
| D300,041 | S * | 2/1989 | Kurozumi et al. | D18/36 |
| 4,828,502 | A * | 5/1989 | Leahy | 434/416 |
| 5,176,522 | A * | 1/1993 | Robertson, Jr. | 434/415 |
| D333,607 | S * | 3/1993 | Isler | D8/382 |
| 5,301,477 | A * | 4/1994 | Rellinger et al. | 52/36.1 |

| | | | | |
|-----------|------|---------|----------------------|-----------|
| 5,397,091 | A * | 3/1995 | Tsuar | 248/441.1 |
| 6,203,878 | B1 * | 3/2001 | Davis et al. | 428/83 |
| D463,493 | S * | 9/2002 | Beno | D19/52 |
| D480,428 | S * | 10/2003 | Robertson, Jr. | D19/90 |
| D483,727 | S * | 12/2003 | Tseng et al. | D14/128 |
| D575,248 | S * | 8/2008 | Fujii et al. | D14/126 |
| D590,018 | S * | 4/2009 | Nash et al. | D19/52 |
| D593,156 | S * | 5/2009 | Vasconcelos | D19/52 |
| 7,604,481 | B2 * | 10/2009 | Owen et al. | 434/408 |
| 7,632,103 | B2 * | 12/2009 | Williams et al. | 434/425 |
| D617,834 | S * | 6/2010 | Vasconcelos | D19/52 |
| 7,733,529 | B2 * | 6/2010 | Nishiie | 358/1.9 |
| D623,228 | S * | 9/2010 | Hoch et al. | D19/52 |
| D623,693 | S * | 9/2010 | Hoch et al. | D19/52 |
| D626,599 | S * | 11/2010 | Ogawa et al. | D20/42 |
| D635,189 | S * | 3/2011 | Bolt et al. | D19/52 |

(Continued)

Primary Examiner — Elizabeth A Albert

(74) *Attorney, Agent, or Firm* — Pearl Cohen Zedek Latzer, LLP

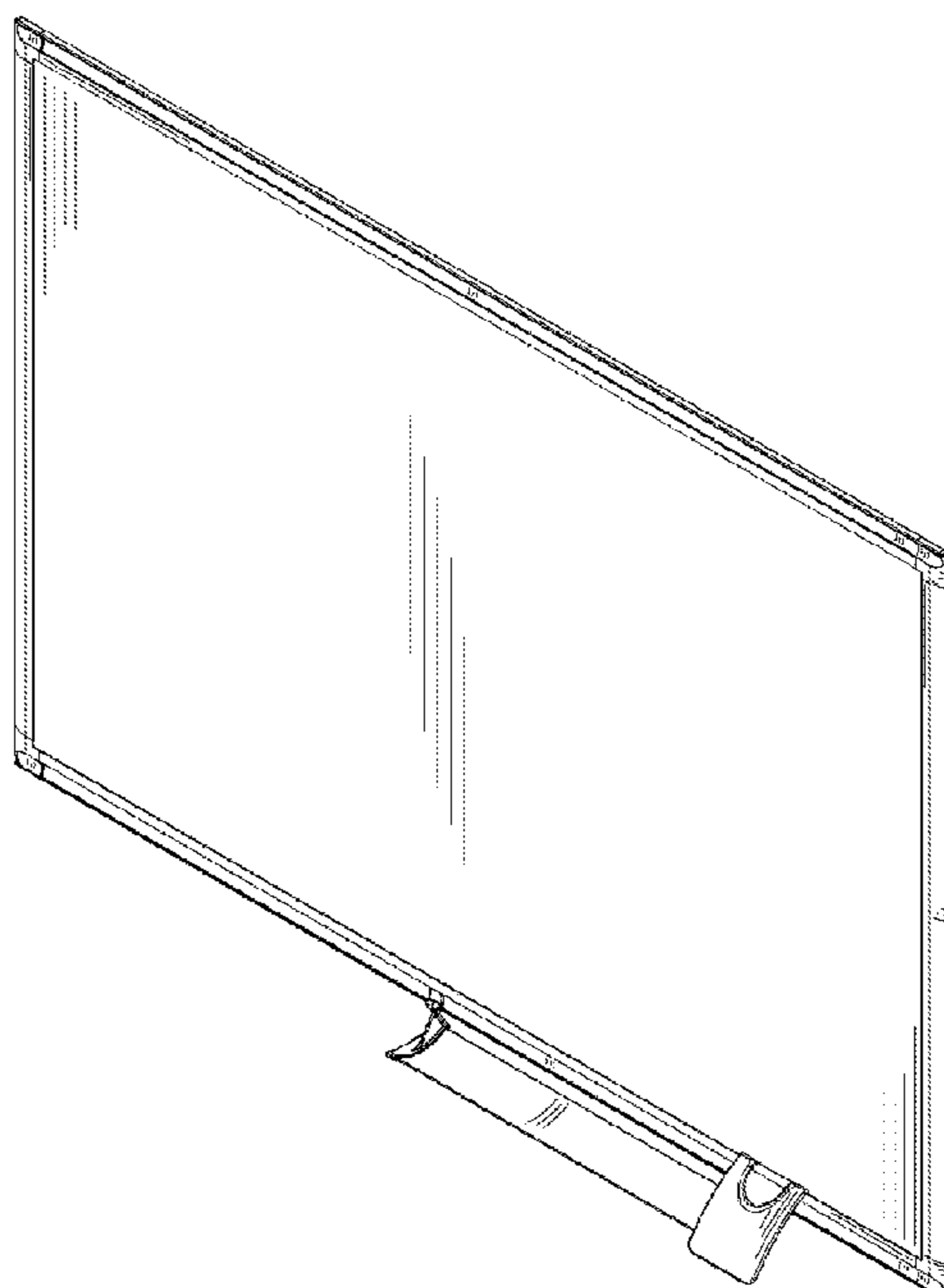
(57) **CLAIM**

The ornamental design for a memo board, as shown and described.

DESCRIPTION

FIG. 1 shows a top, front, right side perspective view of the memo board;
FIG. 2 shows a right side elevational view of the memo board;
FIG. 3 shows a left side elevational view of the memo board;
FIG. 4 shows a back elevational view of the memo board;
FIG. 5 shows a top plan view of the memo board;
FIG. 6 shows a bottom plan view of the memo board;
FIG. 7 shows a front elevational view of the memo board; and,
FIG. 8 shows a top, front, right side perspective view of the memo board with the tray in exploded view.

1 Claim, 8 Drawing Sheets



US D683,403 S

Page 2

U.S. PATENT DOCUMENTS

| | | | | | | | |
|------------------|---------|-------------------------|---------|------------------|---------|----------------------|---------|
| D648,793 S * | 11/2011 | Nash | D19/52 | 2008/0151314 A1* | 6/2008 | Nishiie | 358/401 |
| 8,179,382 B2 * | 5/2012 | Hildebrandt et al. | 345/175 | 2008/0263917 A1* | 10/2008 | Kwon | 40/110 |
| 2005/0191611 A1* | 9/2005 | Owen et al. | 434/408 | 2011/0242006 A1* | 10/2011 | Thompson et al. | 345/173 |

* cited by examiner

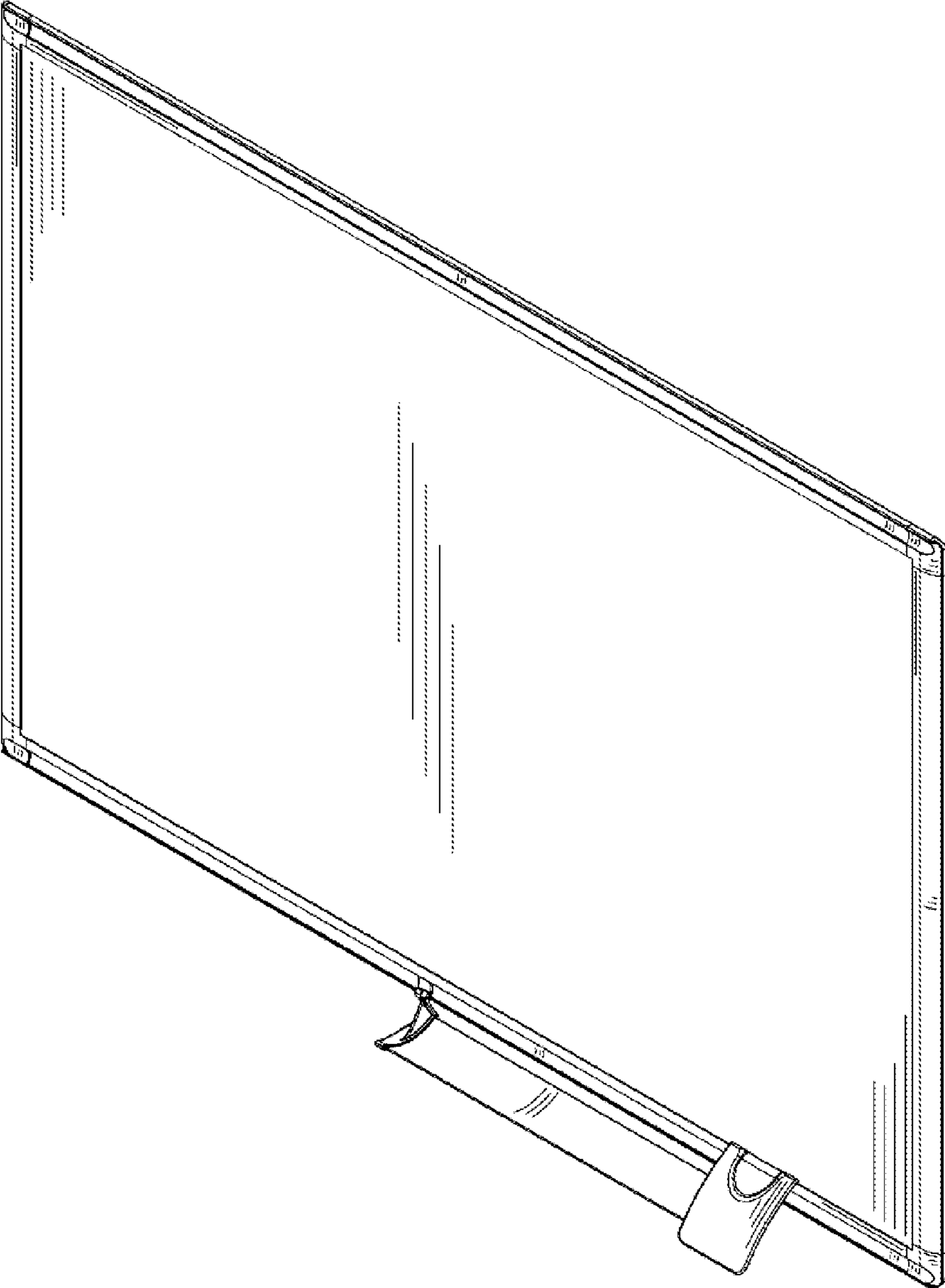


FIG. 1

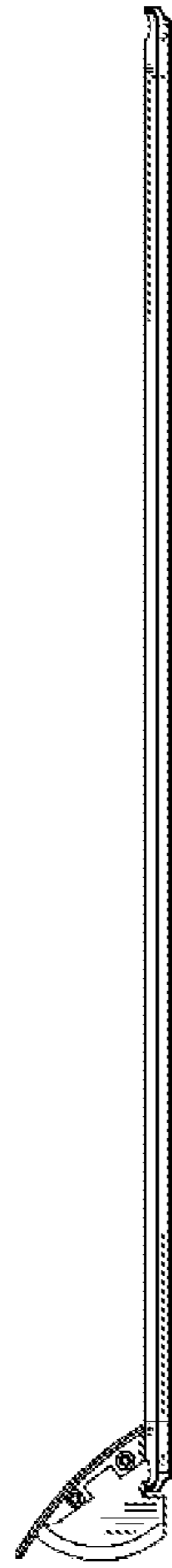


FIG. 2

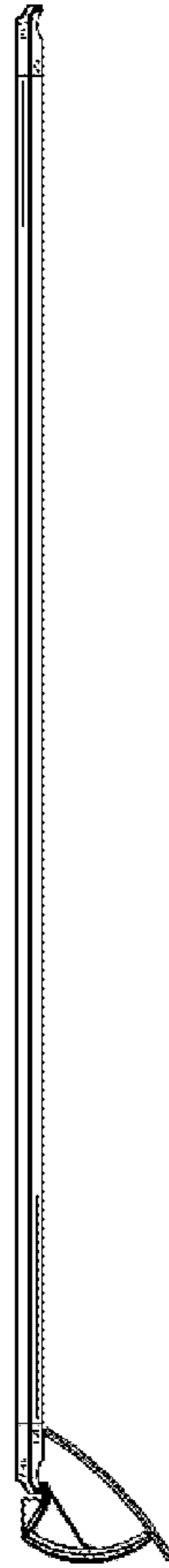


FIG. 3

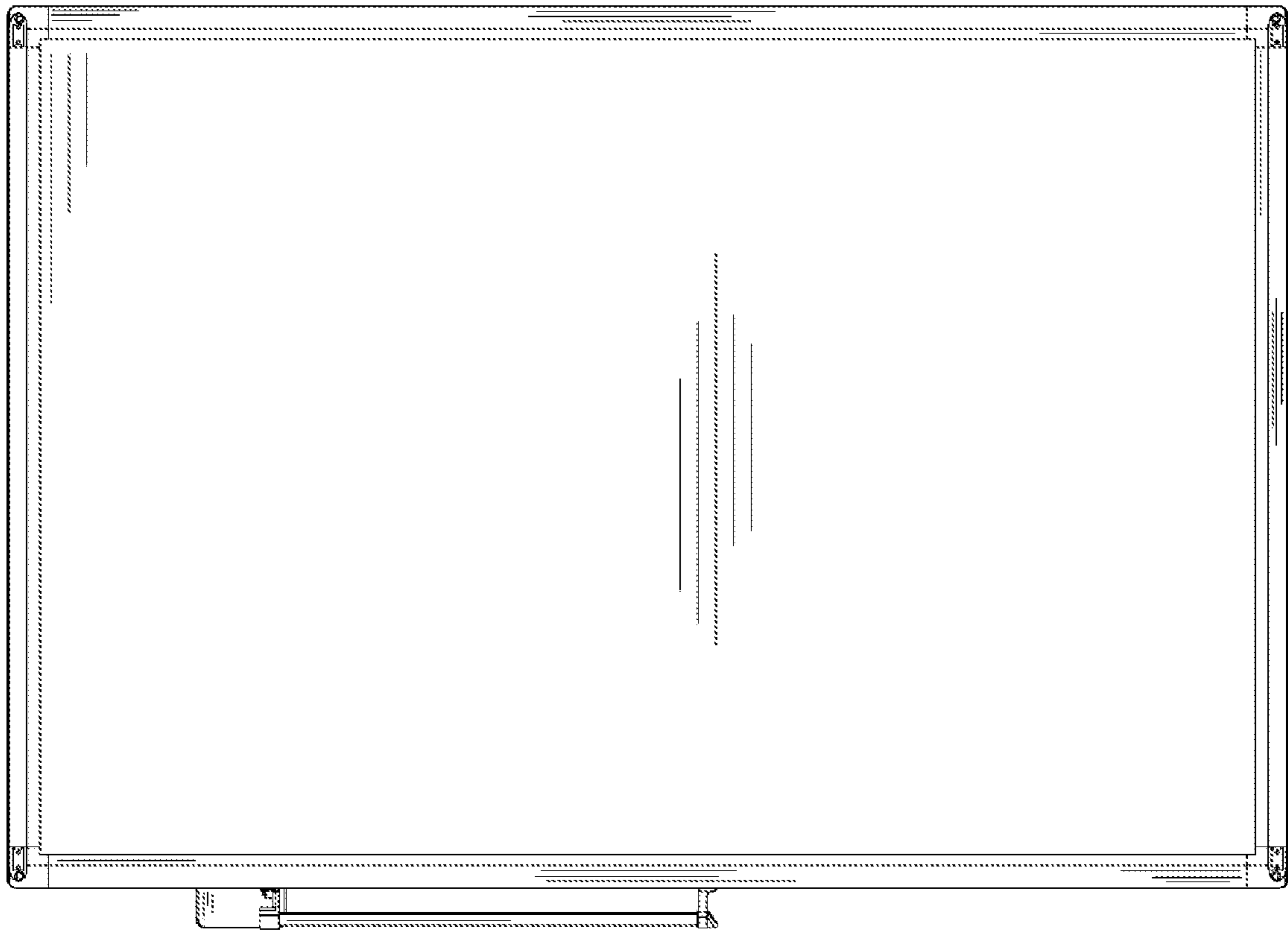


FIG. 4

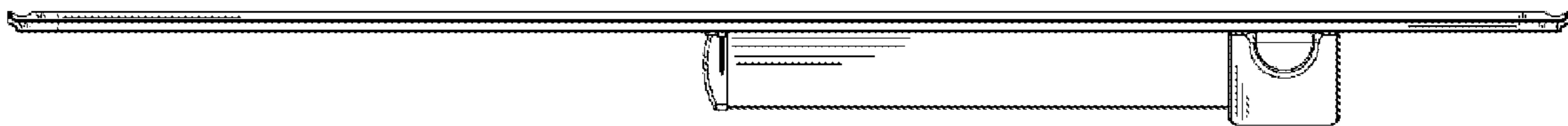


FIG. 5

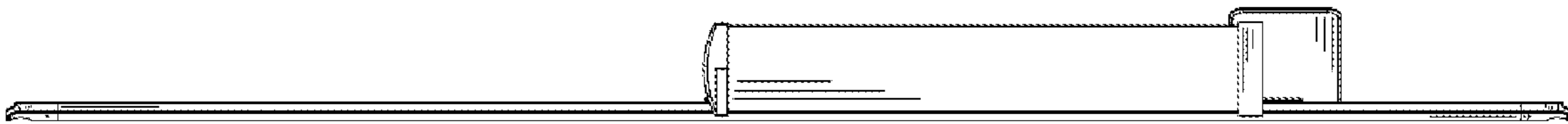


FIG. 6

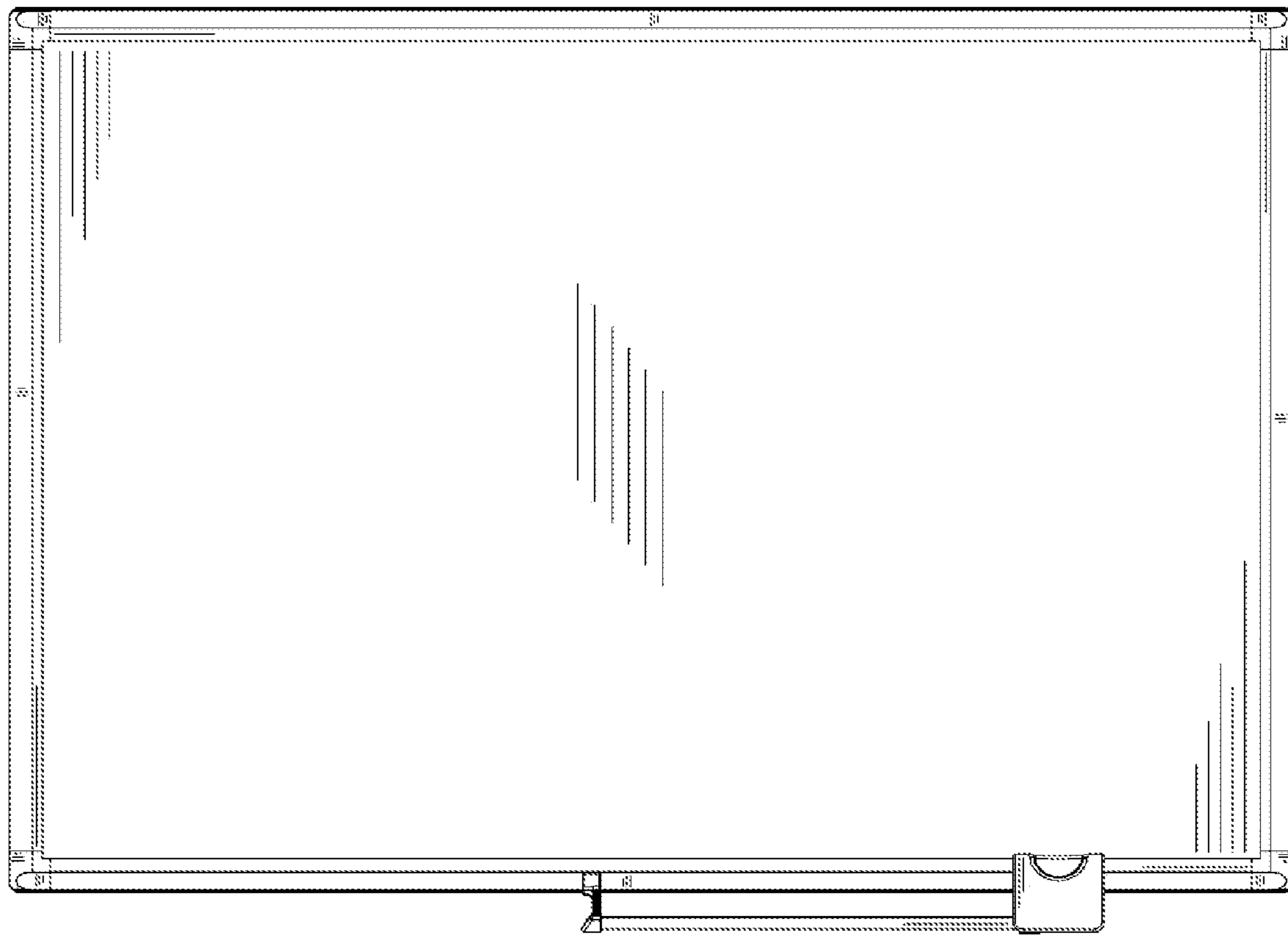


FIG. 7

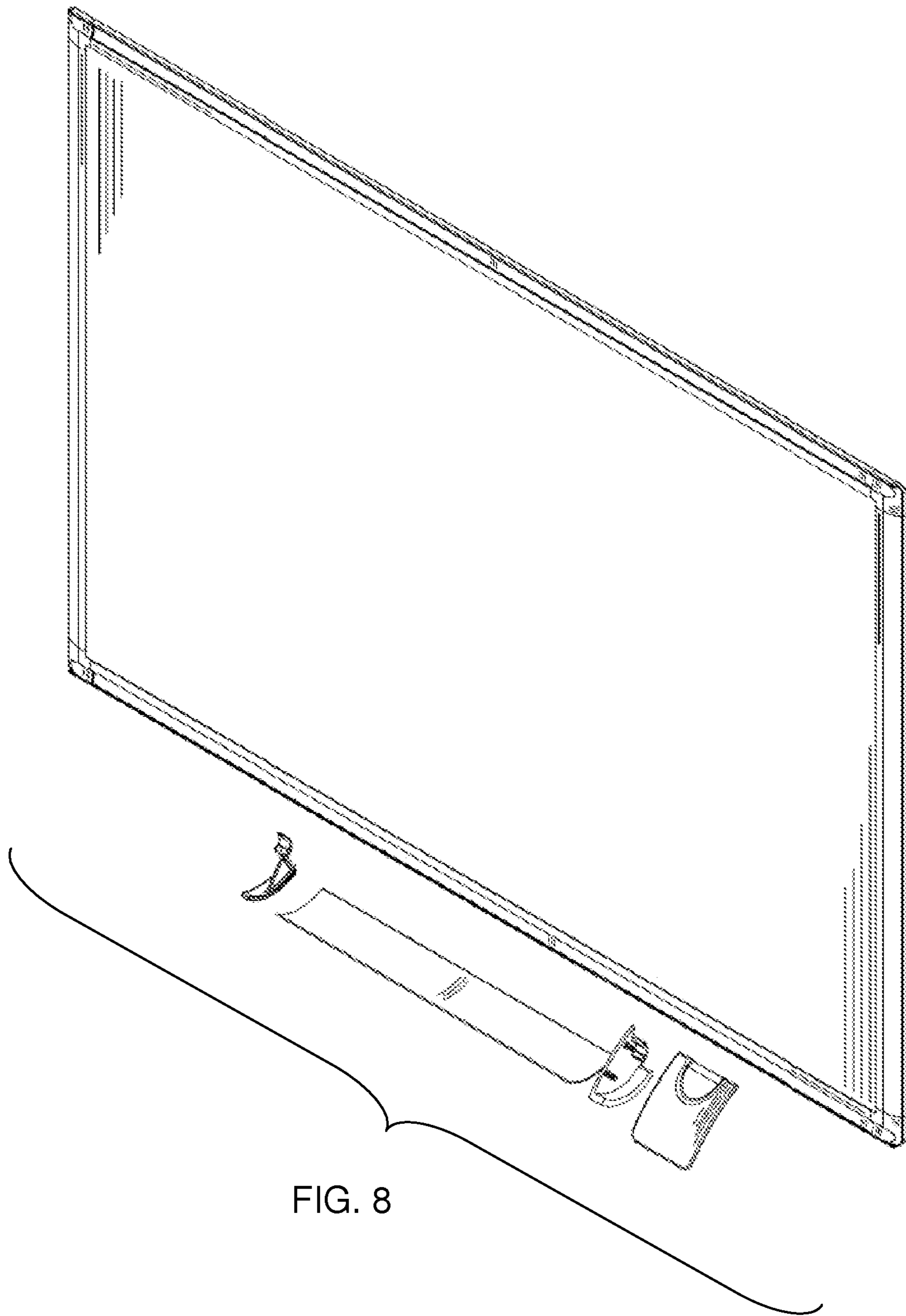


FIG. 8