



US00D683401S

(12) **United States Design Patent**
Zander

(10) **Patent No.:** **US D683,401 S**

(45) **Date of Patent:** **** May 28, 2013**

(54) **WRITING INSTRUMENT**

(75) **Inventor:** **Jan Zander, Hamburg (DE)**

(73) **Assignee:** **Montblanc-Simplo GmbH, Hamburg (DE)**

(**) **Term:** **14 Years**

(21) **Appl. No.:** **29/411,452**

(22) **Filed:** **Jan. 20, 2012**

(30) **Foreign Application Priority Data**

Jul. 22, 2011 (WO) DM/076481

(51) **LOC (9) Cl.** **19-06**

(52) **U.S. Cl.**
USPC **D19/48**

(58) **Field of Classification Search**
USPC .. D14/411; D19/35, 36, 41-51, 54-58; 24/11
F, 11 P, 11 R; 401/52, 99-109, 192, 195,
401/196; D28/7, 76, 88
See application file for complete search history.

(56) **References Cited**

U.S. PATENT DOCUMENTS

2,536,923 A * 1/1951 Fehling 401/101
D329,460 S * 9/1992 Rousseau D19/46
D386,525 S * 11/1997 Voegeli D19/49
D498,493 S * 11/2004 Togawa D19/36

D503,741 S * 4/2005 Pellissa Beneyto D19/51
D548,280 S * 8/2007 Shimizu D19/48
D555,727 S * 11/2007 Bruzzi D19/48
D556,825 S * 12/2007 Bruzzi D19/51
D566,180 S * 4/2008 Mori D19/51
D578,573 S * 10/2008 Bhavnani et al. D19/54
D622,768 S * 8/2010 Tissier D19/46
D628,633 S * 12/2010 Zhang D19/46
D652,079 S * 1/2012 Tissier D19/46
D656,990 S * 4/2012 Bruzzi D19/42
D657,820 S * 4/2012 Bruzzi D19/42
D670,762 S * 11/2012 Fleming D19/48

* cited by examiner

Primary Examiner — Elizabeth Albert

(74) *Attorney, Agent, or Firm* — Young & Thompson

(57) **CLAIM**

The ornamental design for a writing instrument, as shown and described.

DESCRIPTION

FIG. 1 is a top view of the writing instrument.
FIG. 2 is a bottom view of the writing instrument.
FIG. 3 is a side view from the top of FIG. 1.
FIG. 4 is a side view from the bottom of FIG. 1.
FIG. 5 is an enlarged view from the left of FIG. 1.
FIG. 6 is an enlarged view from the right of FIG. 1; and,
FIG. 7 is a perspective view of the writing instrument.

1 Claim, 6 Drawing Sheets

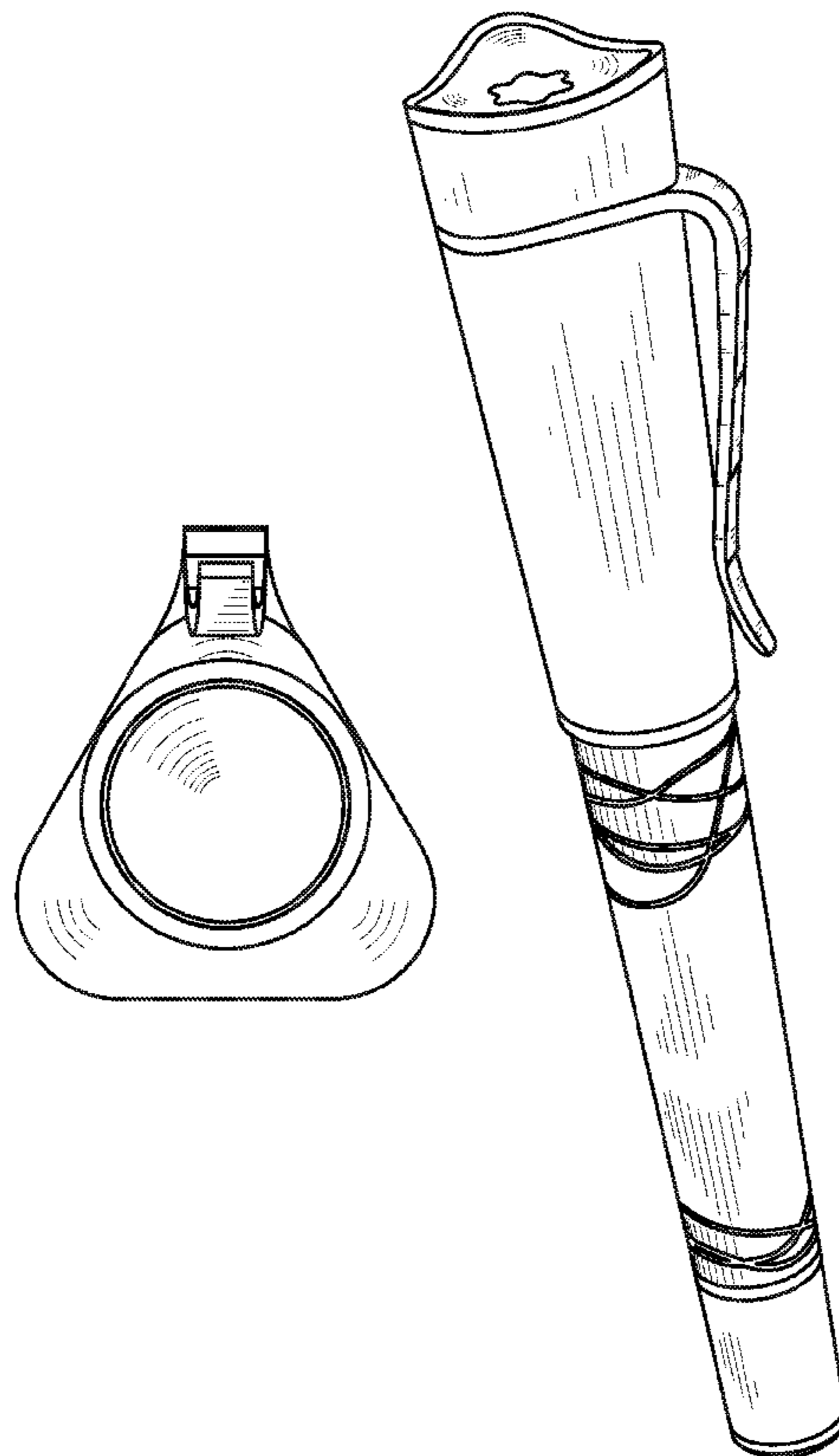
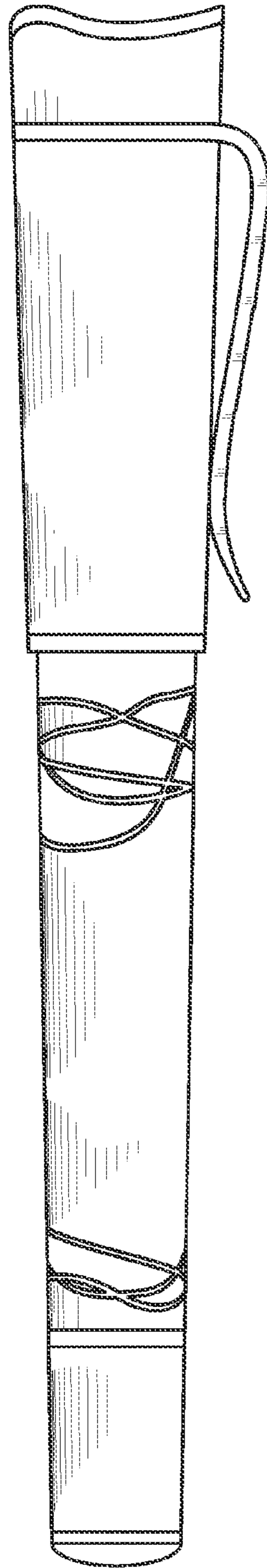


fig.1



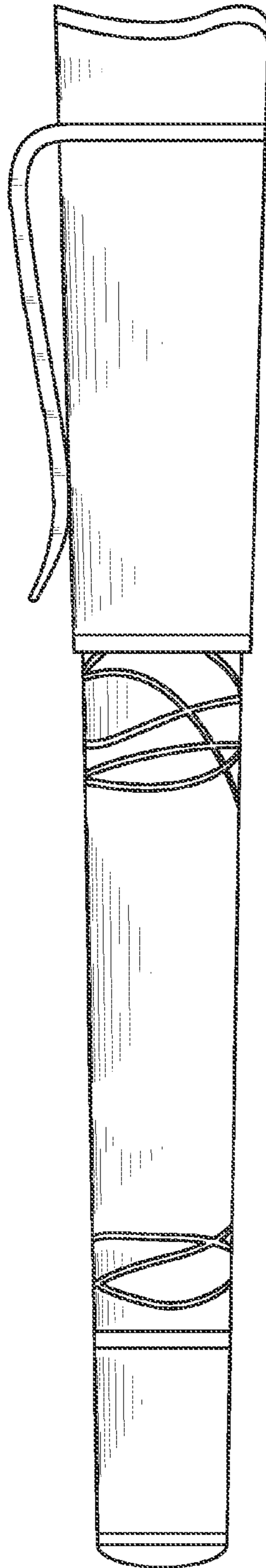


fig.2

fig.3

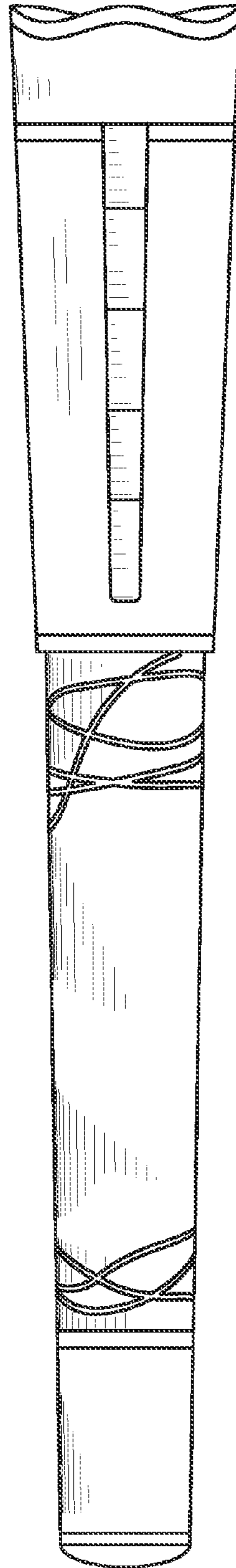


fig.4

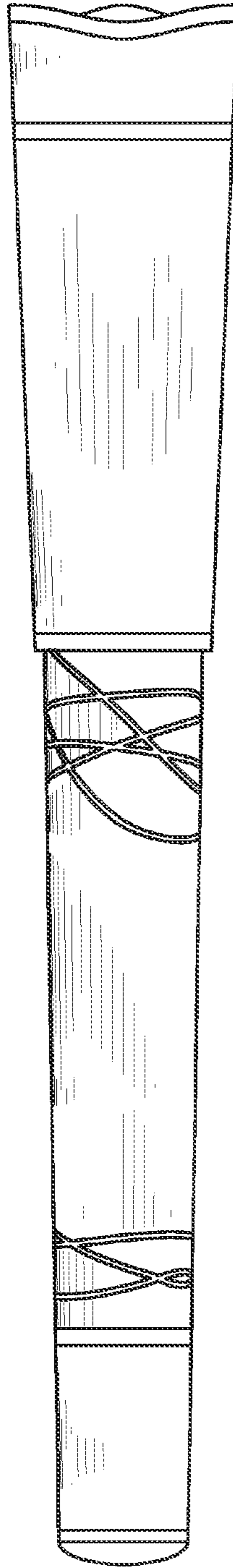


fig.5

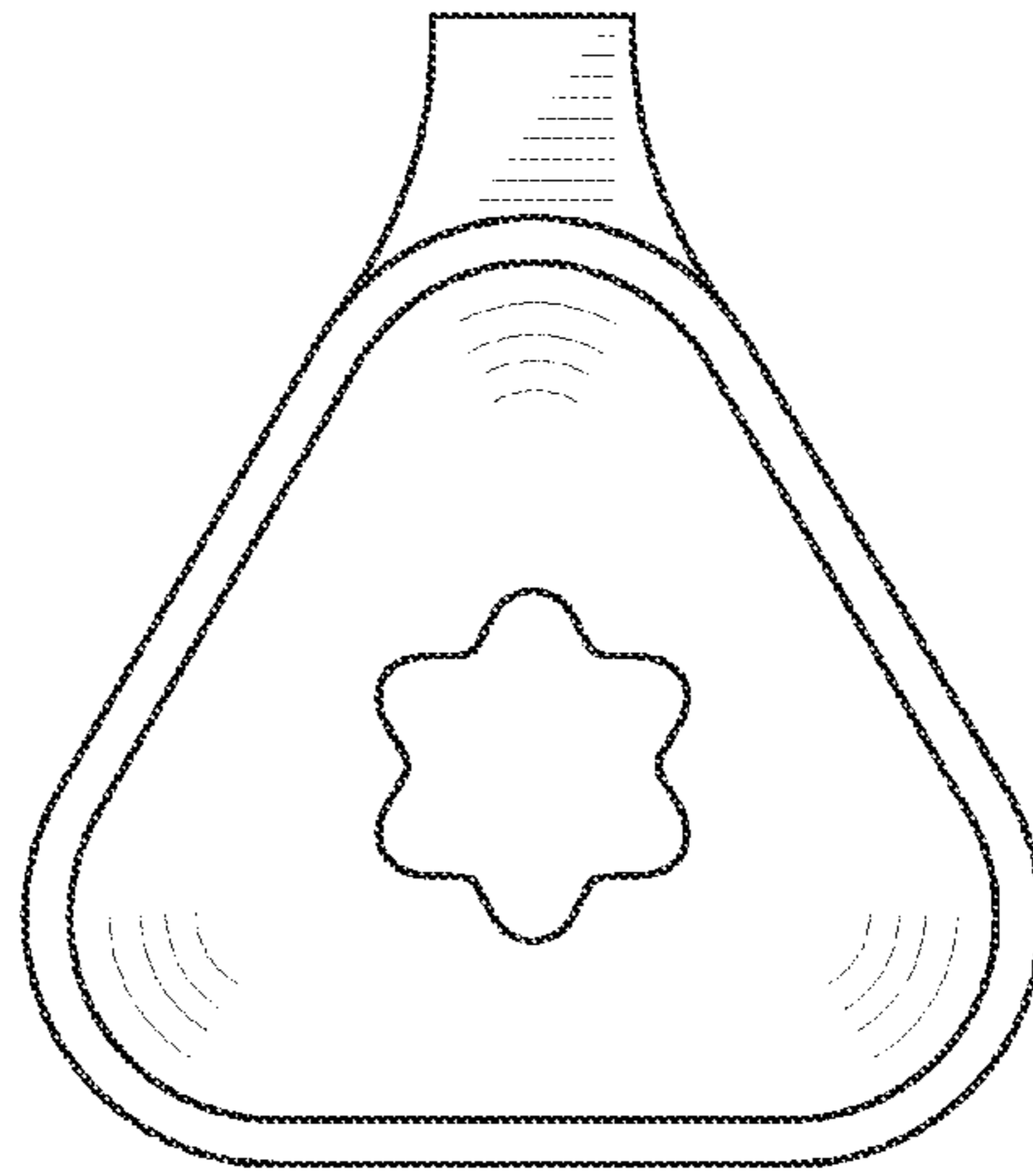
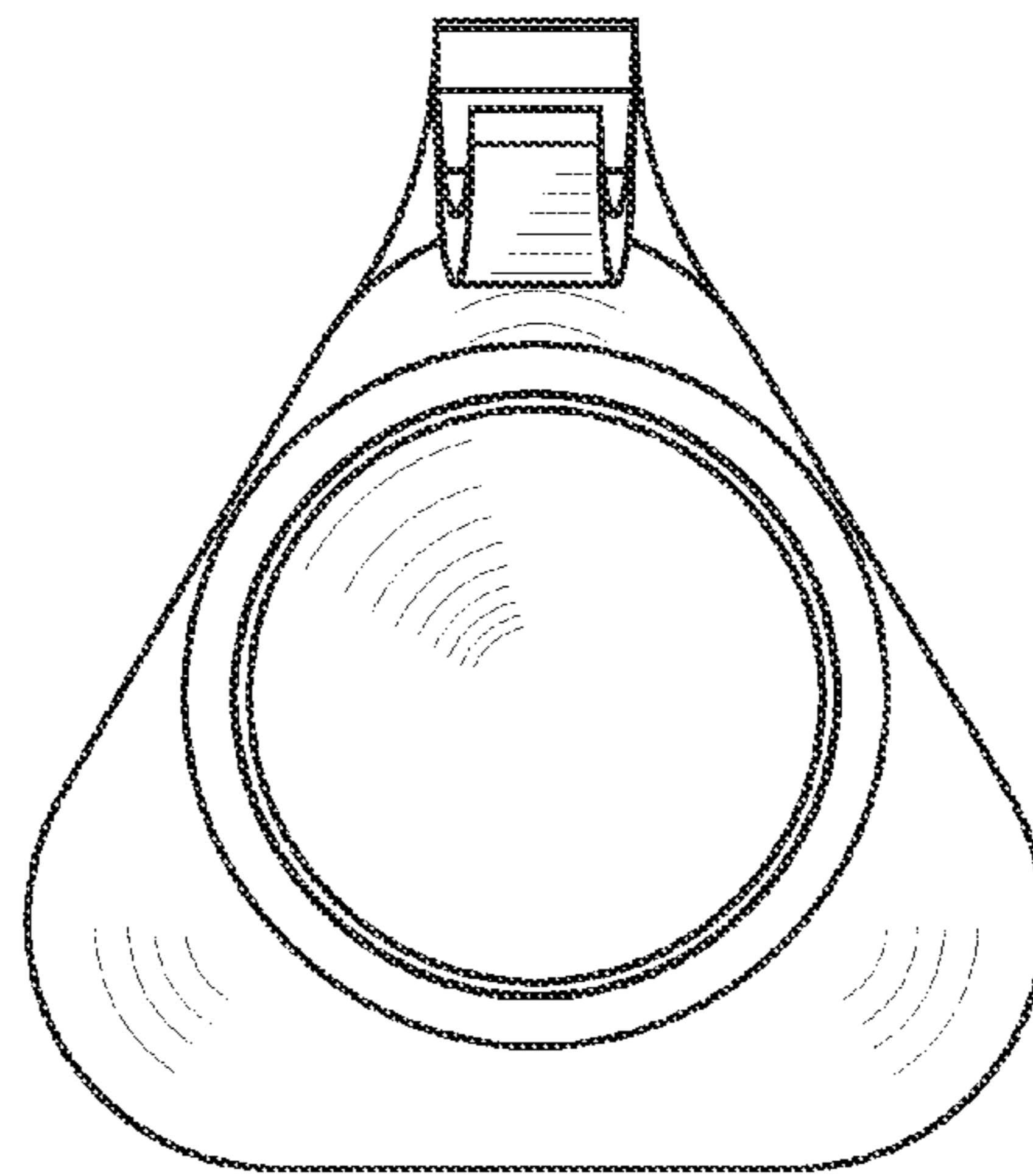


fig.6



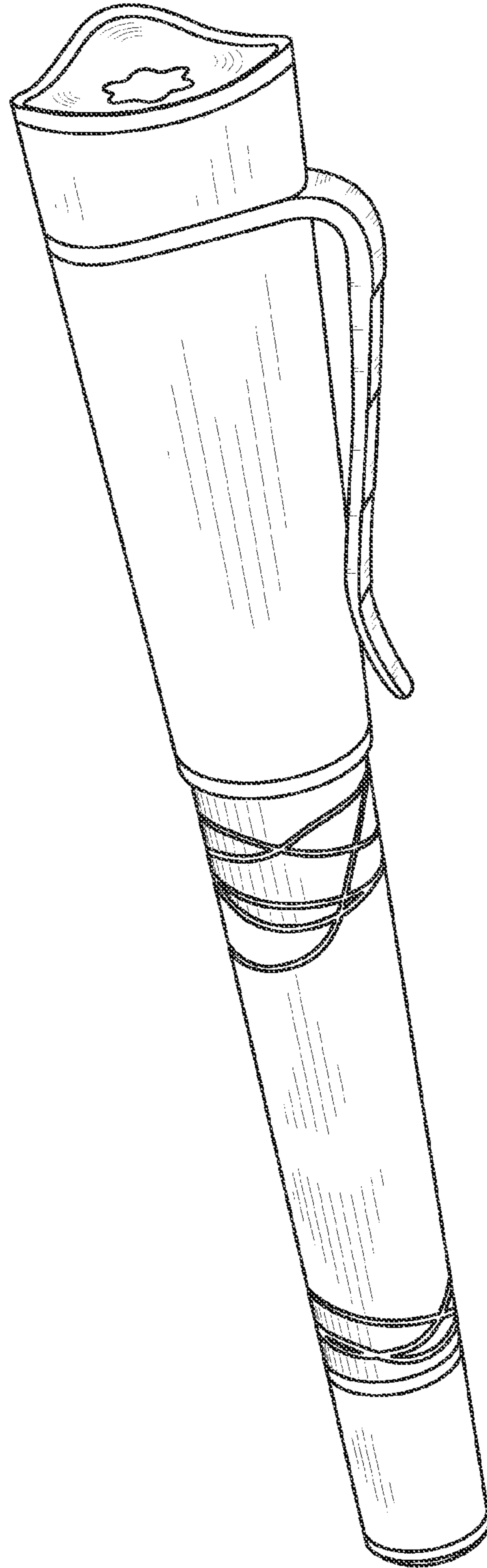


fig.7