



US00D683400S

(12) **United States Design Patent**
Xie

(10) **Patent No.:** **US D683,400 S**

(45) **Date of Patent:** **** May 28, 2013**

(54) **PEN**

(75) **Inventor:** **Jianzhe Xie**, Ningbo (CN)

(73) **Assignee:** **Beifa Group Co., Ltd.**, Ningbo (CN)

(**) **Term:** **14 Years**

(21) **Appl. No.:** **29/405,750**

(22) **Filed:** **Nov. 4, 2011**

(30) **Foreign Application Priority Data**

May 4, 2011 (CN) 2011 3 0103812

(51) **LOC (9) Cl.** **19-06**

(52) **U.S. Cl.**
USPC **D19/48**

(58) **Field of Classification Search**
USPC .. D14/411; D19/35, 36, 41-51, 54-58; 24/11
F, 11 P, 11 R; 401/52, 99-109, 192, 195,
401/196

See application file for complete search history.

(56) **References Cited**

U.S. PATENT DOCUMENTS

D401,624 S	11/1998	Sakuno	
D489,088 S *	4/2004	Arita et al.	D19/43
D506,499 S *	6/2005	Qiu	D19/36
D510,598 S *	10/2005	Qiu	D19/43
D540,863 S *	4/2007	Qiu	D19/43
D544,034 S *	6/2007	Qiu	D19/43
D559,318 S *	1/2008	Qiu et al.	D19/51
D562,389 S *	2/2008	Ikeda	D19/48
D562,891 S *	2/2008	Qiu et al.	D19/47
D573,641 S *	7/2008	Patadia et al.	D19/48

D579,051 S *	10/2008	Patadia et al.	D19/55
D590,879 S *	4/2009	Yu et al.	D19/48
D595,353 S *	6/2009	Li	D19/48
D624,965 S *	10/2010	Li	D19/48
D631,913 S *	2/2011	Li	D19/48
D648,387 S *	11/2011	Liang	D19/50
D648,790 S *	11/2011	Nakazawa	D19/50
D651,244 S *	12/2011	Yuan	D19/50
D651,245 S *	12/2011	Yuan	D19/50
D667,882 S *	9/2012	Uchiyama et al.	D19/50

OTHER PUBLICATIONS

Yan, M., "Pen," U.S. Appl. No. 29/389,375, filed Apr. 11, 2011.

* cited by examiner

Primary Examiner — Elizabeth Albert

(74) *Attorney, Agent, or Firm* — Christensen O'Connor Johnson Kindness PLLC

(57) **CLAIM**

The ornamental design for a pen, as shown and described.

DESCRIPTION

FIG. 1 is a lower front right perspective view of a pen showing my new design;

FIG. 2 is a front elevation view thereof;

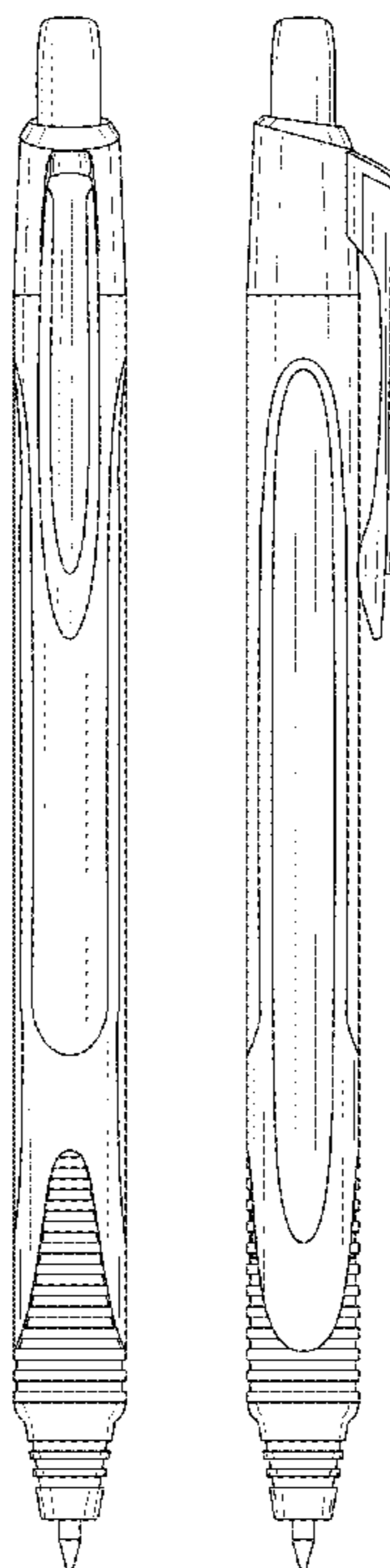
FIG. 3 is a rear elevation view thereof;

FIG. 4 is a left side elevation view thereof, with the right side elevation view being a mirror image of the left side elevation view;

FIG. 5 is an enlarged top plan view thereof; and,

FIG. 6 is an enlarged bottom plan view thereof.

1 Claim, 4 Drawing Sheets



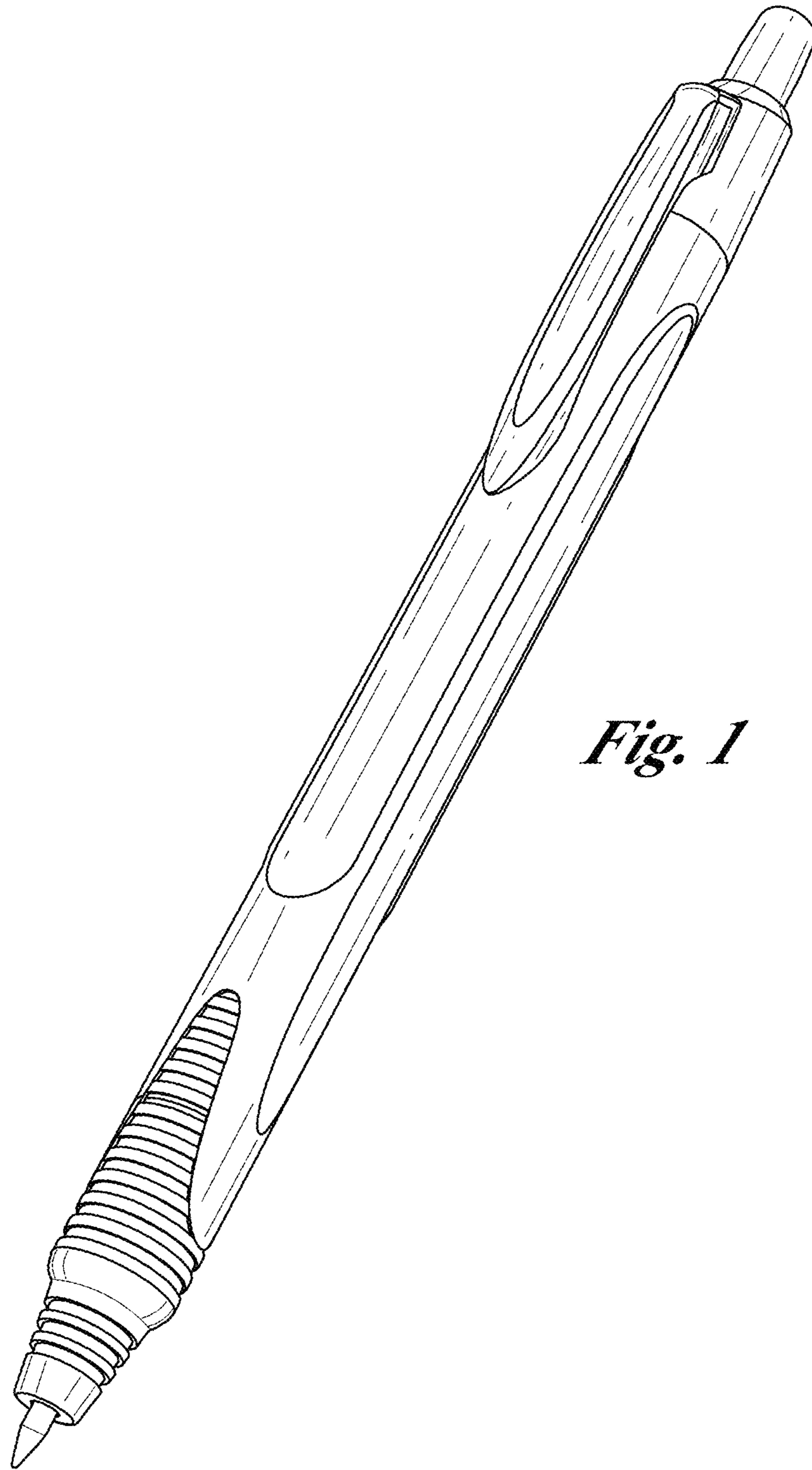


Fig. 1

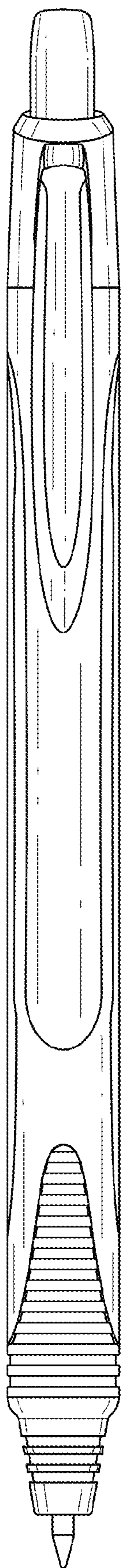


Fig. 2

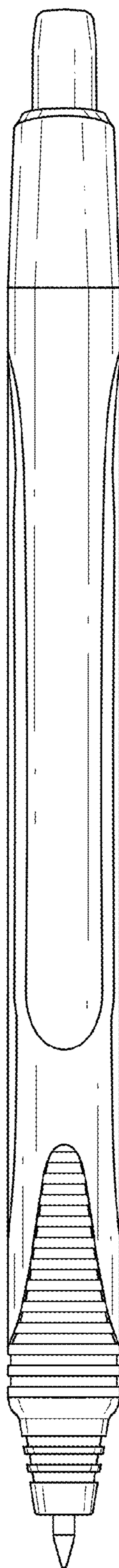


Fig. 3

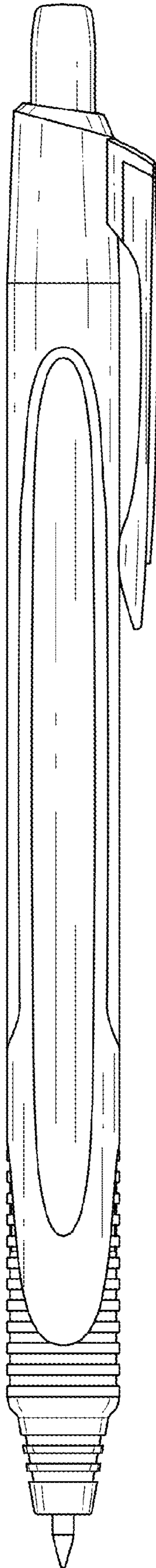


Fig. 4

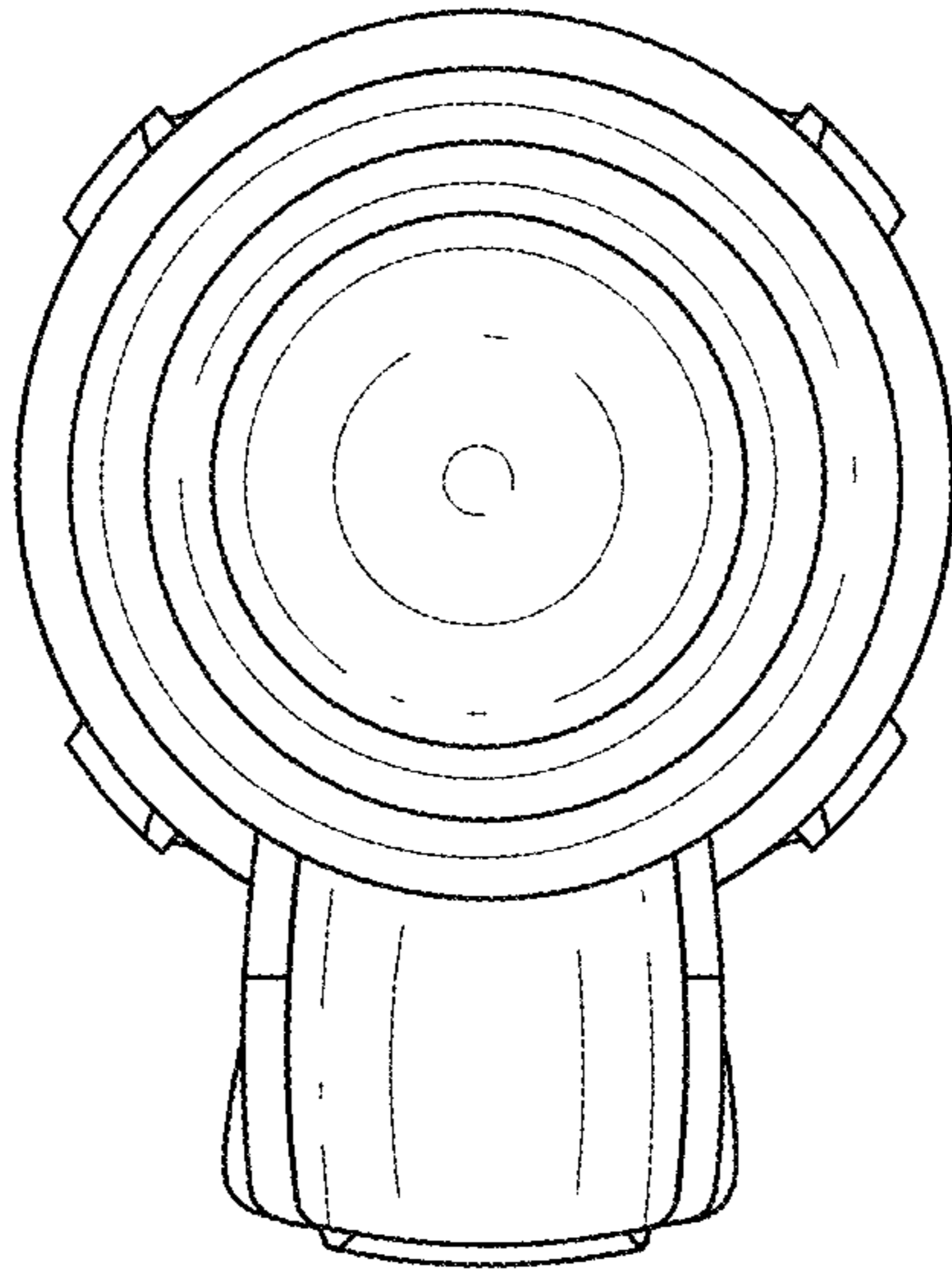


Fig. 5

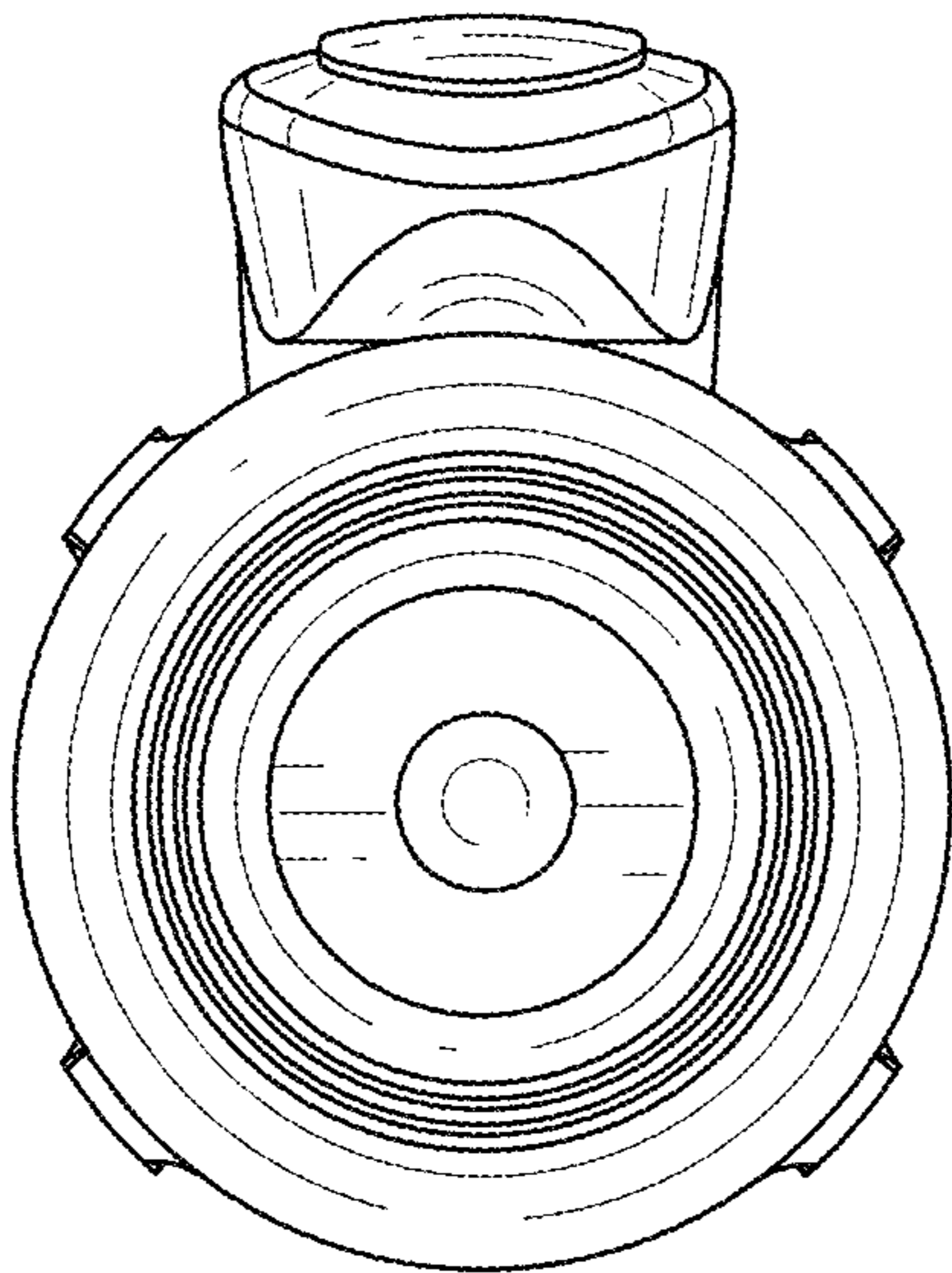


Fig. 6