



US00D683398S

(12) **United States Design Patent**
Bratter et al.

(10) **Patent No.:** **US D683,398 S**
(45) **Date of Patent:** **** May 28, 2013**

(54) **PAD OF LABELS**

(75) Inventors: **Adam Bratter**, Newport Coast, CA (US); **Douglas Wilson**, San Dimas, CA (US); **Debbie Caton**, Redondo Beach, CA (US); **Tracey Glenn**, Altadena, CA (US); **Peggy Diaz**, Ontario, CA (US)

(73) Assignee: **Avery Dennison Corporation**, Pasadena, CA (US)

(**) Term: **14 Years**

(21) Appl. No.: **29/408,527**

(22) Filed: **Dec. 13, 2011**

Related U.S. Application Data

(62) Division of application No. 29/360,189, filed on Apr. 21, 2010.

(51) **LOC (9) Cl.** **19-01**

(52) **U.S. Cl.**
USPC **D19/1**

(58) **Field of Classification Search**
USPC D20/10, 11, 19, 22-28, 40, 99; 40/5, 40/124.01-124.09, 124.11-124.19, 124.191, 40/299.01, 300, 303, 305, 306, 309, 310, 40/312, 359, 360, 363, 371, 446, 541, 584, 40/625, 638, 661; D19/1, 2, 9, 10, 26, 33, D19/86; D24/189; 156/62; 206/447, 449, 206/473; 221/33, 45; 281/38, 41, 42, 44, 281/51; 283/56, 61, 62, 67, 71, 75, 81, 103, 283/106, 115; 428/40.1, 42.1-42.3, 43, 195.1, 428/914; 462/63, 900

See application file for complete search history.

(56) **References Cited**

U.S. PATENT DOCUMENTS

167,045 A * 8/1875 Wilkerson 40/638
616,438 A 12/1898 Newkirk

(Continued)

FOREIGN PATENT DOCUMENTS

EP 0309107 7/1993

EP 1 174 845 A2 1/2002

(Continued)

OTHER PUBLICATIONS

Self-Adhesive File Folder Labels—Item E, p. 685, Baigelman & Company, 2000 Office Products Catalog.*

(Continued)

Primary Examiner — Mary Ann Calabrese

(74) *Attorney, Agent, or Firm* — Christie, Parker & Hale, LLP

(57) **CLAIM**

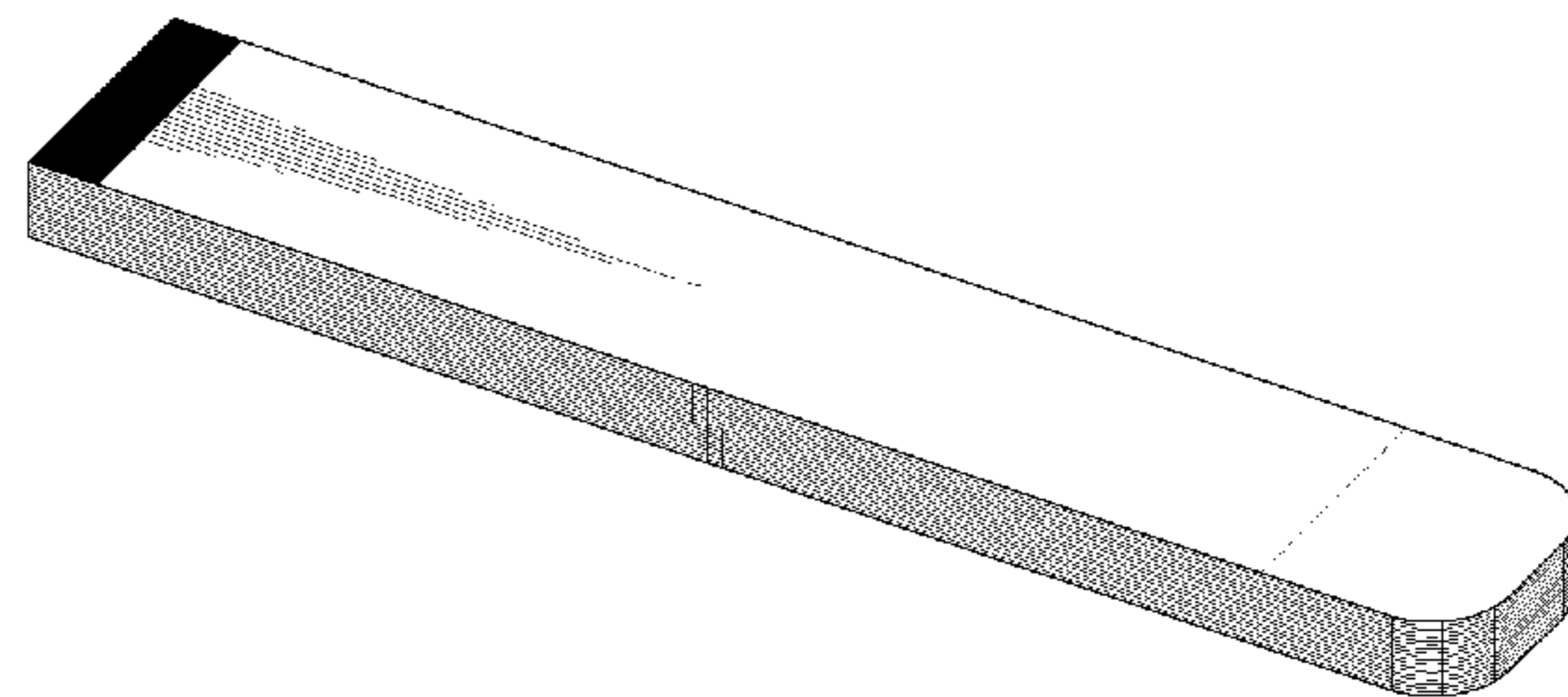
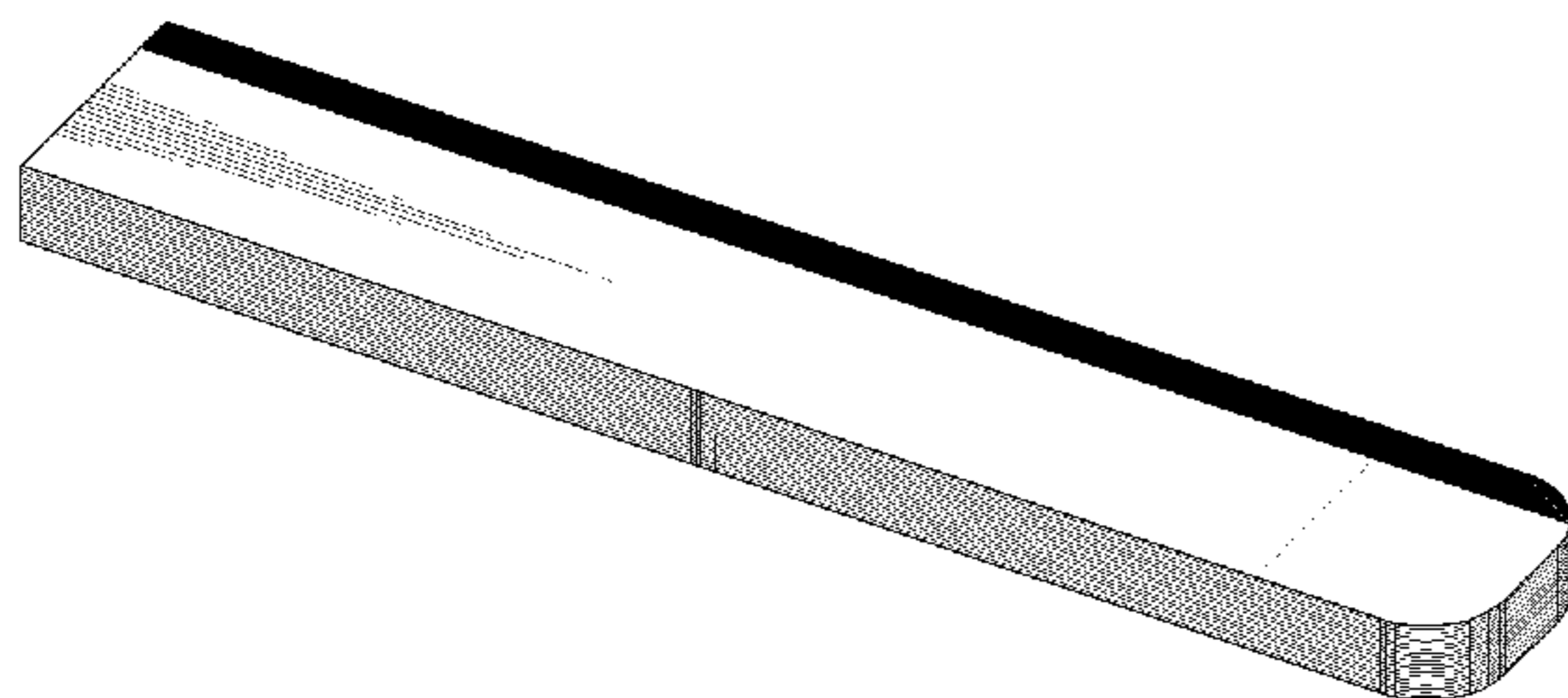
We claim the ornamental design for pad of labels, as shown and described.

DESCRIPTION

FIG. 1 is a top perspective view of a pad of labels.
FIG. 2 is a top plan view of the pad of labels of FIG. 1.
FIG. 3 is a bottom plan view of the pad of labels of FIG. 1.
FIG. 4 is a front-edge elevational view of the pad of labels of FIG. 1.
FIG. 5 is a back-edge elevational view of the pad of labels of FIG. 1.
FIG. 6 is a left-side elevational view of the pad of labels of FIG. 1.
FIG. 7 is a right-side elevational view of the pad of labels of FIG. 1.
FIG. 8 is a top perspective view of a pad of labels.
FIG. 9 is a top plan view of the pad of labels of FIG. 8.
FIG. 10 is a bottom plan view of the pad of labels of FIG. 8.
FIG. 11 is a front-edge elevational view of the pad of labels of FIG. 8.
FIG. 12 is a back-edge elevational view of the pad of labels of FIG. 8.
FIG. 13 is a left-side elevational view of the pad of labels of FIG. 8; and,
FIG. 14 is a right-side elevational view of the pad of labels of FIG. 8.

The color black on the border represents a contrast in color. In the drawings, the broken lines represent perforations.

1 Claim, 2 Drawing Sheets



U.S. PATENT DOCUMENTS

959,938 A 5/1910 Hunter
 1,098,044 A 5/1914 Leitch
 D46,315 S 8/1914 Mettler
 1,843,947 A 2/1932 Ellery
 1,873,610 A 8/1932 Lyon
 2,103,389 A 12/1937 Salfisberg
 2,170,147 A 8/1939 Lane
 2,192,472 A 3/1940 Huston
 2,213,666 A 9/1940 Burke
 2,248,317 A 7/1941 Van Cleef
 2,415,248 A * 2/1947 Kenna et al. 40/641
 2,486,840 A 11/1949 Harris
 2,679,928 A 6/1954 Bishop, Jr. et al.
 2,724,601 A 11/1955 Fuerst et al.
 2,953,865 A 9/1960 Heuser
 3,065,978 A 11/1962 Stephens
 3,583,358 A 6/1971 Hanson, Jr.
 4,570,797 A 2/1986 Weinman
 4,650,706 A 3/1987 Emmel
 4,680,210 A 7/1987 Corcoran
 4,696,706 A 9/1987 Griffin et al.
 H377 H 12/1987 Greig
 D293,694 S 1/1988 Alden et al.
 4,746,018 A 5/1988 Mueller
 4,770,320 A 9/1988 Miles et al.
 4,842,919 A 6/1989 David et al.
 4,876,131 A 10/1989 Ashby et al.
 4,895,746 A 1/1990 Mertens
 4,927,179 A * 5/1990 Ehret et al. 283/79
 4,928,814 A 5/1990 Rondot et al.
 4,970,984 A 11/1990 Vazquez
 5,050,909 A 9/1991 Mertens et al.
 5,064,222 A 11/1991 Legault
 5,153,041 A 10/1992 Clements et al.
 5,154,962 A 10/1992 Mertens et al.
 5,195,265 A 3/1993 Klingenberg
 5,227,209 A 7/1993 Garland
 5,283,091 A 2/1994 Darvell et al.
 5,299,833 A 4/1994 Madole, Jr.
 5,299,834 A 4/1994 Kraige
 5,342,688 A 8/1994 Kitchin et al.
 5,366,776 A 11/1994 Mertens
 D354,991 S 1/1995 DeSutter
 5,390,819 A 2/1995 Kaye
 5,464,672 A 11/1995 Jackson
 5,484,168 A 1/1996 Chigot
 D368,487 S 4/1996 Lindberg
 5,607,067 A 3/1997 Morrissey
 5,641,550 A 6/1997 Berman et al.
 5,663,227 A 9/1997 Birkholz et al.
 5,705,244 A 1/1998 Lee
 5,743,565 A 4/1998 Zimmanck
 5,755,355 A 5/1998 Timmerman et al.
 5,756,187 A 5/1998 Kuo et al.
 5,782,494 A 7/1998 Crandall et al.
 D397,733 S 9/1998 Walker
 5,827,591 A 10/1998 Blok et al.
 5,863,629 A 1/1999 Kuo et al.
 5,874,144 A 2/1999 Kumar et al.
 5,902,440 A 5/1999 Jenkins
 5,947,523 A 9/1999 Liegard
 5,948,494 A 9/1999 Levin
 5,958,536 A 9/1999 Gelsinger et al.
 5,964,375 A 10/1999 Carlson et al.
 5,989,667 A 11/1999 Tayebi
 6,045,002 A 4/2000 Wierschke
 6,071,583 A 6/2000 Pomerantz
 6,096,469 A 8/2000 Anderson et al.
 6,129,965 A 10/2000 Langan
 6,132,831 A 10/2000 Thomas-Cote
 D433,838 S 11/2000 O'Hara
 6,150,035 A 11/2000 DeFife et al.
 6,168,848 B1 1/2001 Heath
 6,231,943 B1 5/2001 Nijboer et al.
 6,254,955 B1 7/2001 Kuo et al.
 6,268,032 B1 7/2001 Mertens et al.
 6,286,871 B1 9/2001 Spector et al.
 6,296,932 B1 10/2001 Crandall et al.

6,326,072 B1 12/2001 Ojeda et al.
 6,352,751 B1 3/2002 Miles et al.
 6,352,766 B1 3/2002 Crandall et al.
 6,403,189 B1 6/2002 Donahue
 6,435,967 B1 8/2002 Michlin
 6,471,817 B1 10/2002 Emmert
 6,482,487 B1 11/2002 Donahue
 6,503,591 B2 1/2003 Kuo et al.
 6,514,585 B1 2/2003 Pearson et al.
 6,544,640 B1 4/2003 Miles et al.
 D483,405 S 12/2003 Bratter et al.
 6,703,096 B2 3/2004 Sabella
 6,712,396 B2 3/2004 Derraugh
 D491,606 S 6/2004 Jour
 6,756,100 B2 6/2004 Pearson et al.
 6,773,769 B1 8/2004 Schulz
 6,886,685 B2 5/2005 Slater
 6,979,480 B1 12/2005 Schulz et al.
 D519,566 S 4/2006 Jour
 7,040,051 B2 5/2006 Windorski
 7,073,692 B2 7/2006 Weyts
 7,128,957 B2 10/2006 Bratter
 7,182,217 B2 2/2007 Windorski et al.
 7,225,570 B2 6/2007 Windorski
 7,288,163 B2 10/2007 Weirather et al.
 D555,511 S 11/2007 Warmka et al.
 7,290,953 B2 11/2007 Regala
 D556,829 S 12/2007 Jour
 7,306,690 B2 12/2007 Hodsdon et al.
 7,351,457 B1 4/2008 Williard
 7,374,631 B1 5/2008 Weirather et al.
 D610,612 S 2/2010 Rhee
 D613,451 S 4/2010 Welsh
 7,901,719 B2 3/2011 Aldridge
 2002/0160183 A1 10/2002 Hanakawa
 2002/0192415 A1 12/2002 Vogler et al.
 2003/0077413 A1 4/2003 Shah
 2003/0082327 A1 5/2003 Pearson et al.
 2003/0184636 A1 10/2003 Graham et al.
 2004/0108228 A1 6/2004 Rall et al.
 2004/0217022 A1 11/2004 Irvine et al.
 2005/0000842 A1 1/2005 Timmerman et al.
 2005/0076550 A1 * 4/2005 Sills 40/371
 2005/0095384 A1 5/2005 Wittmeyer
 2006/0024462 A1 * 2/2006 Kuo et al. 428/40.1
 2006/0046592 A1 3/2006 Novelli
 2006/0062956 A1 3/2006 Chandaria et al.
 2006/0068143 A1 3/2006 Chandaria et al.
 2006/0068145 A1 3/2006 Chandaria
 2006/0088683 A1 4/2006 Wilson
 2006/0134363 A1 6/2006 Nadeau et al.
 2006/0138768 A1 6/2006 Abaygar et al.
 2006/0151098 A1 7/2006 Rutsky
 2006/0154098 A1 7/2006 Dollase et al.
 2006/0198979 A1 9/2006 McConkie et al.
 2006/0216451 A1 9/2006 Weiner et al.
 2007/0059472 A1 3/2007 Kitchin
 2008/0011626 A1 1/2008 Bodziak et al.
 2008/0020163 A1 * 1/2008 Salva Calcagno 428/40.1
 2008/0061547 A1 3/2008 Jour
 2008/0085384 A1 4/2008 Ylitalo et al.
 2008/0085385 A1 4/2008 Ylitalo et al.
 2008/0113139 A1 5/2008 Tokutsu et al.
 2008/0190799 A1 8/2008 Dotta
 2009/0039638 A1 2/2009 Jour
 2009/0075007 A1 3/2009 Kitchin et al.
 2009/0160173 A1 6/2009 Jour
 2010/0116425 A1 5/2010 Konsti et al.
 2011/0259775 A1 * 10/2011 Bratter et al. 206/449

FOREIGN PATENT DOCUMENTS

WO WO 02/100655 A1 12/2002
 WO WO 2010/117991 A1 10/2010

OTHER PUBLICATIONS

Office action dated Jul. 27, 2010 from related Canadian Application
 No. 135694.

Response dated Nov. 29, 2010 from related Canadian Application No. 135694.
 Office action dated Jan. 4, 2011 from related Canadian Application No. 135694.
 Response dated Apr. 15, 2011 from related Canadian Application No. 135694.
 Patent issued Sep. 30, 2011 from related Canadian Application No. 135694.
 Patent issued Sep. 30, 2011 from related Canadian Application No. 138153.
 Office action dated Dec. 17, 2010 from related Canadian Application No. 138154.
 Response dated Apr. 15, 2011 from related Canadian Application No. 138154.
 Patent issued Sep. 30, 2011 from related Canadian Application No. 138154.
 Patent issued Sep. 30, 2011 from related Canadian Application No. 138155.
 Patent issued Sep. 30, 2011 from related Canadian Application No. 138156.
 Patent issued Sep. 30, 2011 from related Canadian Application No. 138157.
 Patent issued Sep. 30, 2011 from related Canadian Application No. 138158.
 Office action dated Dec. 17, 2010 from related Canadian Application No. 138150.
 Response dated Apr. 15, 2011 from related Canadian Application No. 138150.
 Patent issued Sep. 30, 2011 from related Canadian Application No. 138150.
 Patent issued Sep. 30, 2011 from related Canadian Application No. 138151.
 Patent issued Sep. 30, 2011 from related Canadian Application No. 138152.
 Office action dated Mar. 11, 2011 from related Mexican Application No. MX/f/2010/001410.
 Response dated Jun. 20, 2011 from related Mexican Application No. MX/f/2010/001410.
 Notice of allowance dated Jul. 18, 2011 from related Mexican Application No. MX/f/2010/001410.
 Notice of allowance dated Nov. 15, 2011 from related Mexican Application No. MX/f/2011/002025.
 Notice of allowance dated Nov. 15, 2011 from related Mexican Application No. MX/f/2011/002026.
 Notice of allowance dated Sep. 15, 2011 from related Mexican Application No. MX/f/2011/002027.
 Notice of allowance dated Nov. 15, 2011 from related Mexican Application No. MX/f/2011/002028.
 Notice of allowance dated Nov. 15, 2011 from related Mexican Application No. MX/f/2011/002029.
 Notice of allowance dated Sep. 15, 2011 from related Mexican Application No. MX/f/2011/002030.
 Notice of allowance dated Sep. 15, 2011 from related Mexican Application No. MX/f/2011/002031.
 Office action dated Jun. 24, 2011 from prior U.S. Appl. No. 29/360,189.
 Response dated Dec. 15, 2011 from prior U.S. Appl. No. 29/360,189.
 Restriction requirement dated Mar. 17, 2011 from prior U.S. Appl. No. 29/360,189.
 Amendment and response dated Apr. 5, 2011 from prior U.S. Appl. No. 29/360,189.
 Restriction requirement dated Mar. 2, 2012 from prior U.S. Appl. No. 12/831,245.
 Transparent Stick Notes; Global b2b Network—Nov. 22, 2008; http://replay.waybackmachine.org/20081122094958/http://www.global-b2b-network.com/b2b/51/52/1060/label_sticker_and_self_adhesive_note.html.

Patent issued Sep. 30, 2011 from related Canadian Application No. 140221.
 Patent issued Sep. 30, 2011 from related Canadian Application No. 140219.
 Patent issued Sep. 30, 2011 from related Canadian Application No. 140220.
 Restriction requirement dated Feb. 10, 2012 from related U.S. Appl. No. 29/360,189.
 Preliminary Amendment for U.S. Appl. No. 13/857,360, filed Apr. 5, 2013; 10 pages.
 Ex Parte Quayle Response for U.S. Appl. No. 29/408,528; dated Aug. 21, 2012; 22 pages.
 U.S. Notice of Allowance for U.S. Appl. No. 29/408,525; dated Aug. 22, 2012; 29 pages.
 International Search Report and Written Opinion for Application No. PCT/US12/040793 filed Jun. 4, 2012, dated Aug. 22, 2012, mailed Aug. 29, 2012, 11 pages.
 U.S. Office Action for U.S. Appl. No. 12/831,245; dated Sep. 11, 2012; 21 pages.
 Response to U.S. Non-Final Office Action for U.S. Appl. No. 29/360,189, filed Aug. 9, 2012, 11 pages.
 U.S. Final Office Action for U.S. Appl. No. 29/360,189; dated Oct. 2, 2012; 6 pages.
 US Response to Final Office Action for U.S. Appl. No. 29/360,189; dated Dec. 3, 2012, 7 pages.
 US Advisory Action for U.S. Appl. No. 29/360,189; dated Dec. 14, 2012; 5 pages.
 Response to Amendment After Final for U.S. Appl. No. 29/360,189, filed Jan. 7, 2013, 13 pages.
 U.S. Advisory Action for U.S. Appl. No. 29/360,189, dated Jan. 25, 2013, 11 pages.
 U.S. Notice of Allowance for U.S. Appl. No. 29/408,528; dated Oct. 2, 2012; 6 pages.
 U.S. Notice of Allowance for U.S. Appl. No. 29/408,525; dated Oct. 2, 2012; 10 pages.
 Ex Parte Quayle Action for U.S. Appl. No. 29/408,525; dated Apr. 24, 2012; 8 pages.
 Ex Parte Quayle Response for U.S. Appl. No. 29/408,525; dated Jun. 21, 2012; 33 pages.
 Notice of Allowance for U.S. Appl. No. 29/408,525; dated Dec. 28, 2012; 7 pages.
 Ex Parte Quayle Action for U.S. Appl. No. 29/408,528; dated Jun. 21, 2012; 32 pages.
 Notice of Allowance for U.S. Appl. No. 29/408,528; dated Dec. 28, 2012; 5 pages.
 Ex Parte Quayle Response for U.S. Appl. No. 29/408,529; dated Aug. 21, 2012; 29 pages.
 Ex Parte Quayle Action for U.S. Appl. No. 29/408,529; dated Jun. 22, 2012; 23 pages.
 Notice of Allowance for U.S. Appl. No. 29/408,529; dated Oct. 2, 2012; 11 pages.
 Notice of Allowance for U.S. Appl. No. 29/408,529; dated Dec. 28, 2012; 7 pages.
 Response to Non-Final Office action for U.S. Appl. No. 12/831,245; filed Jan. 11, 2013; 11 pages.
 Notice of Allowance for U.S. Appl. No. 12/831,245; dated Feb. 5, 2013; 5 pages.
 Amendment after Final Office action for U.S. Appl. No. 29/360,189; filed Mar. 4, 2013; 13 pages.
 Notice of Allowance for U.S. Appl. No. 29/360,189; dated Mar. 27, 2013; 8 pages.
 Continued Prosecution Application for U.S. Appl. No. 29/360,189; filed Apr. 5, 2013; 3 pages.
 Request for Continued Examination for U.S. Appl. No. 12/831,245; filed Apr. 5, 2013; 3 pages.

* cited by examiner

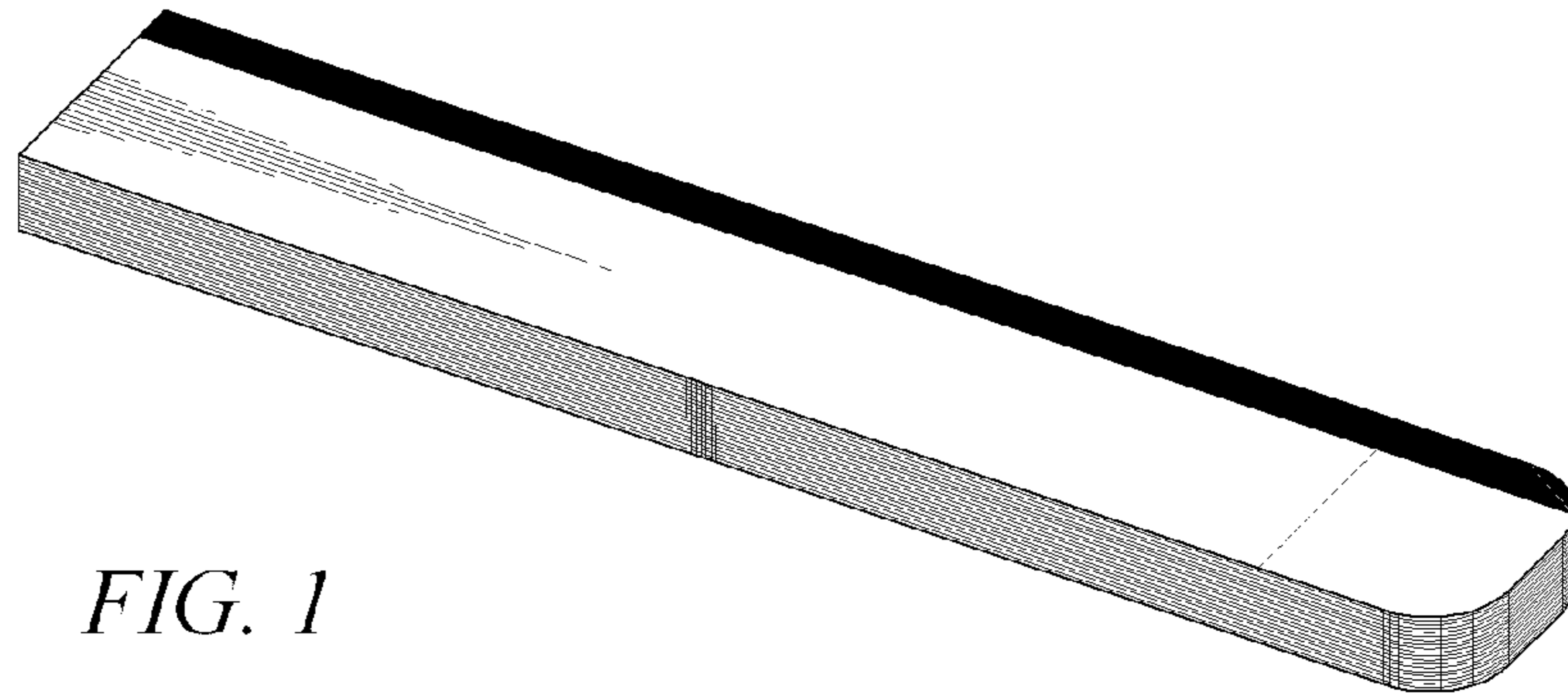


FIG. 1

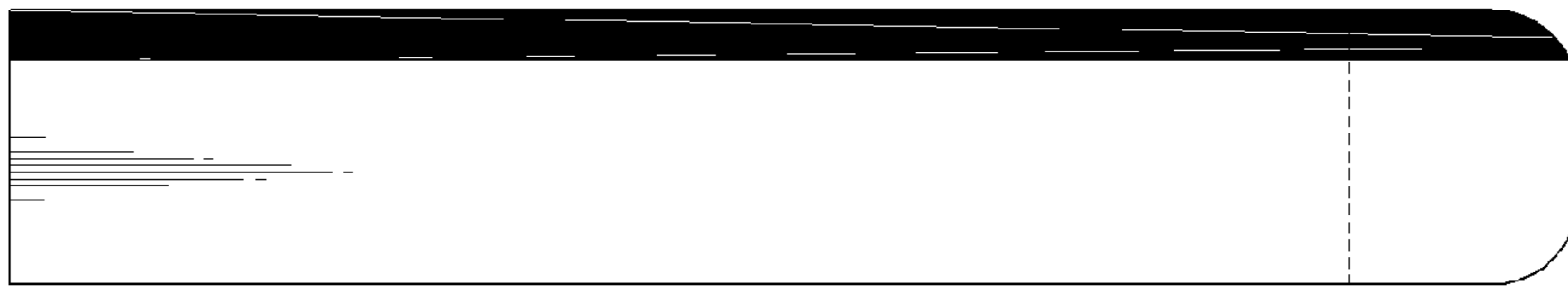


FIG. 2

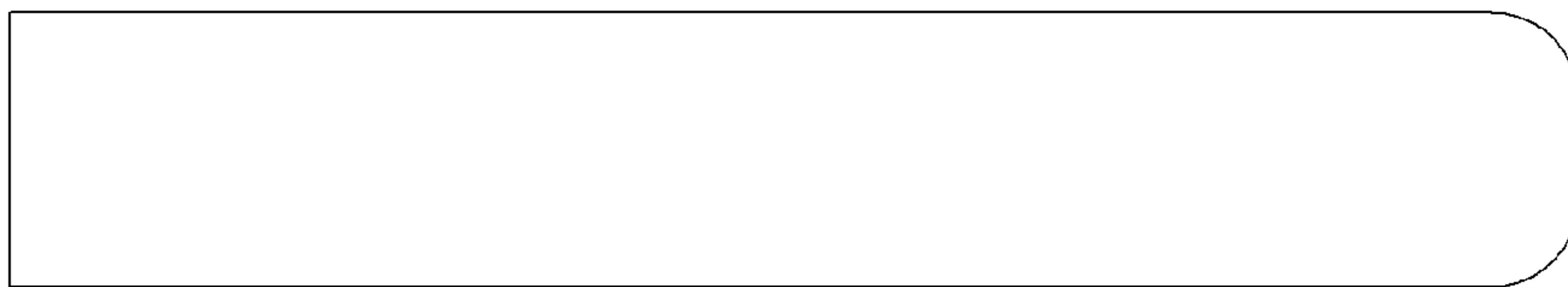


FIG. 3

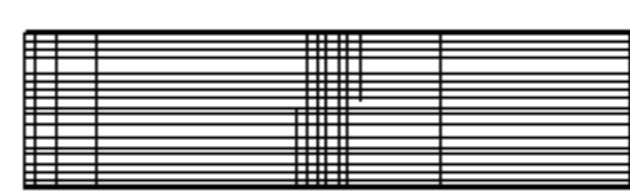


FIG. 4

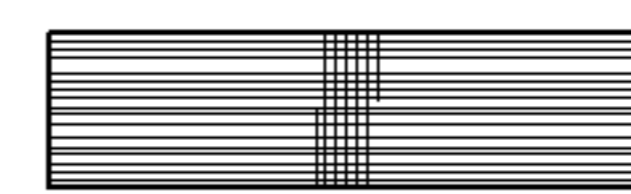


FIG. 5



FIG. 6



FIG. 7

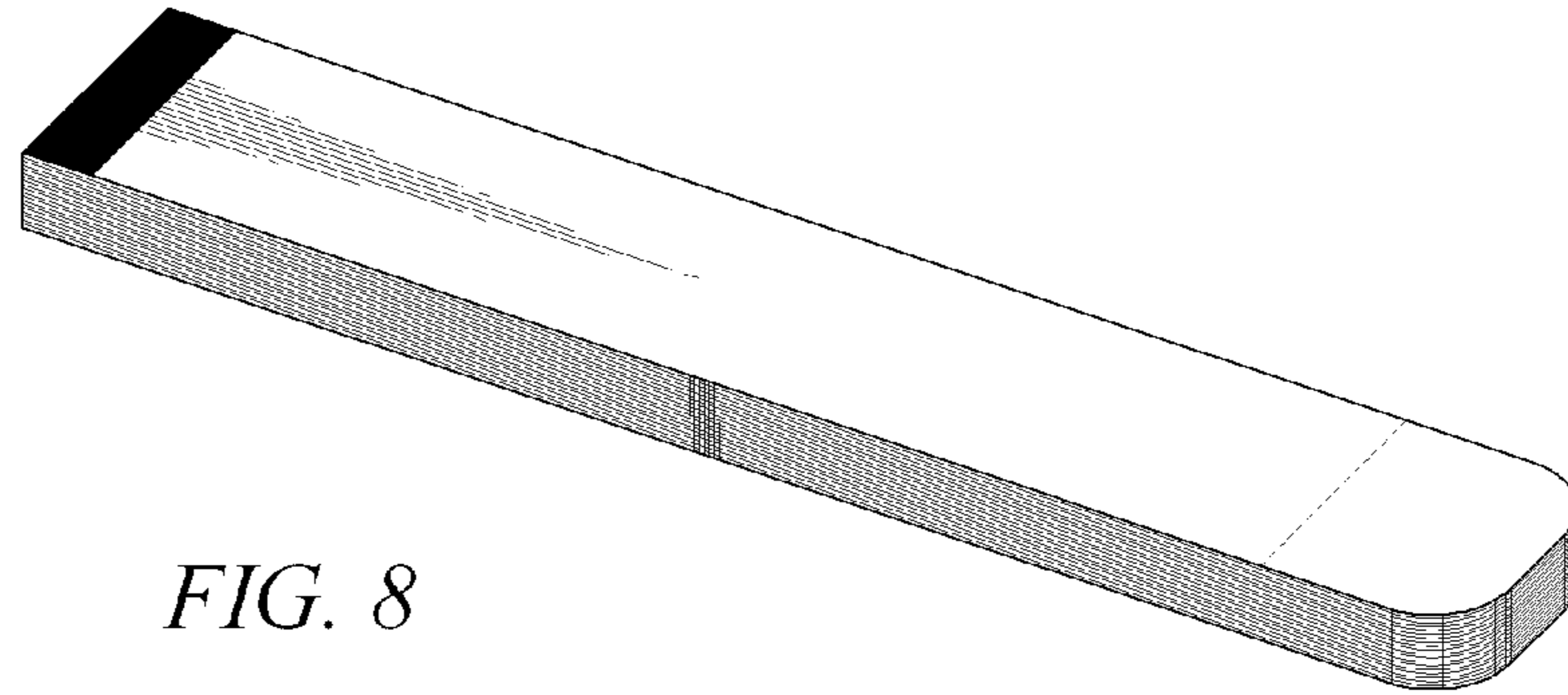


FIG. 8

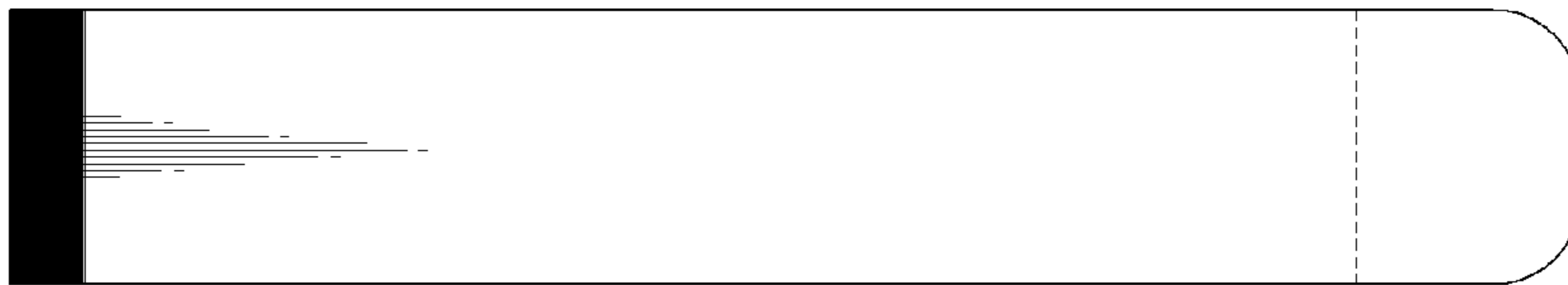


FIG. 9

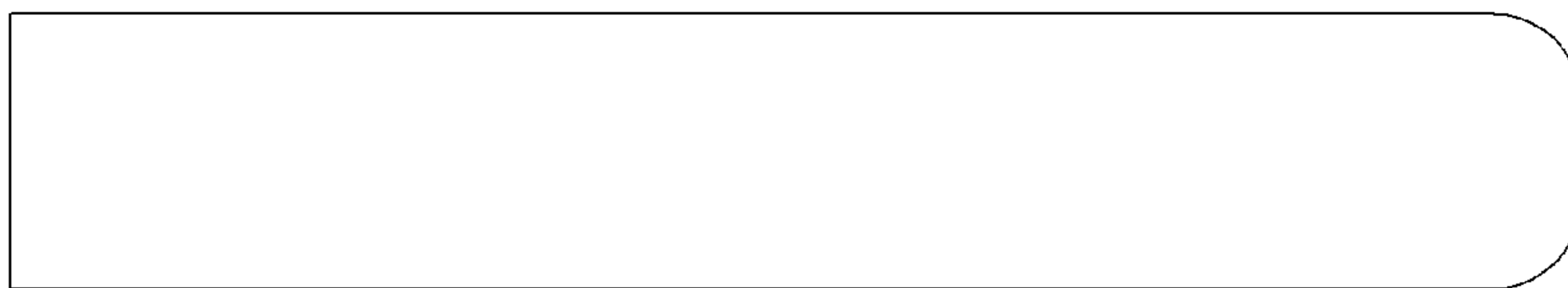


FIG. 10

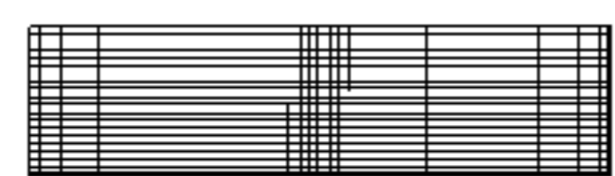


FIG. 11

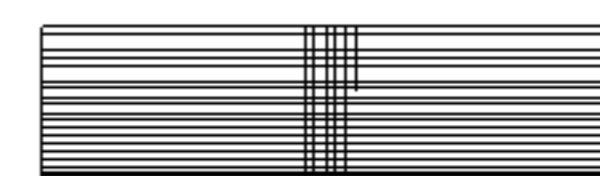


FIG. 12



FIG. 13



FIG. 14