



US00D683396S

(12) **United States Design Patent**
Yonekawa

(10) **Patent No.:** **US D683,396 S**

(45) **Date of Patent:** **** May 28, 2013**

(54) **PRINTER**

(75) Inventor: **Masahiro Yonekawa, Machida (JP)**

(73) Assignee: **Ricoh Company, Ltd., Tokyo (JP)**

(**) Term: **14 Years**

(21) Appl. No.: **29/414,269**

(22) Filed: **Feb. 27, 2012**

(30) **Foreign Application Priority Data**

Dec. 21, 2011 (JP) 2011-029614

(51) **LOC (9) Cl.** **14-02**

(52) **U.S. Cl.**
USPC **D18/50**

(58) **Field of Classification Search** D18/14,
D18/19, 36-37, 50, 54, 54.1, 55; D14/452-425,
D14/463-470; 400/613, 613.1-613.4, 690,
400/690.1-690.4, 691-694

See application file for complete search history.

(56) **References Cited**

U.S. PATENT DOCUMENTS

D355,179 S * 2/1995 Sawada et al. D14/468
D502,183 S * 2/2005 Gant et al. D14/468
D530,738 S * 10/2006 Tay et al. D18/55
D534,579 S * 1/2007 Yamaguchi D18/55

D545,893 S * 7/2007 Ogawa et al. D18/50
D550,680 S * 9/2007 Ogawa et al. D14/462
D552,169 S * 10/2007 Egami et al. D18/50
D556,256 S * 11/2007 Matsumoto D18/55
D573,632 S * 7/2008 Iwai D18/50
D596,226 S * 7/2009 Yamaguchi D18/55
D639,849 S * 6/2011 Sato et al. D18/50
D661,345 S * 6/2012 Asano et al. D18/50

* cited by examiner

Primary Examiner — Cathy A MacCormac

(74) *Attorney, Agent, or Firm* — Dickstein Shapiro LLP

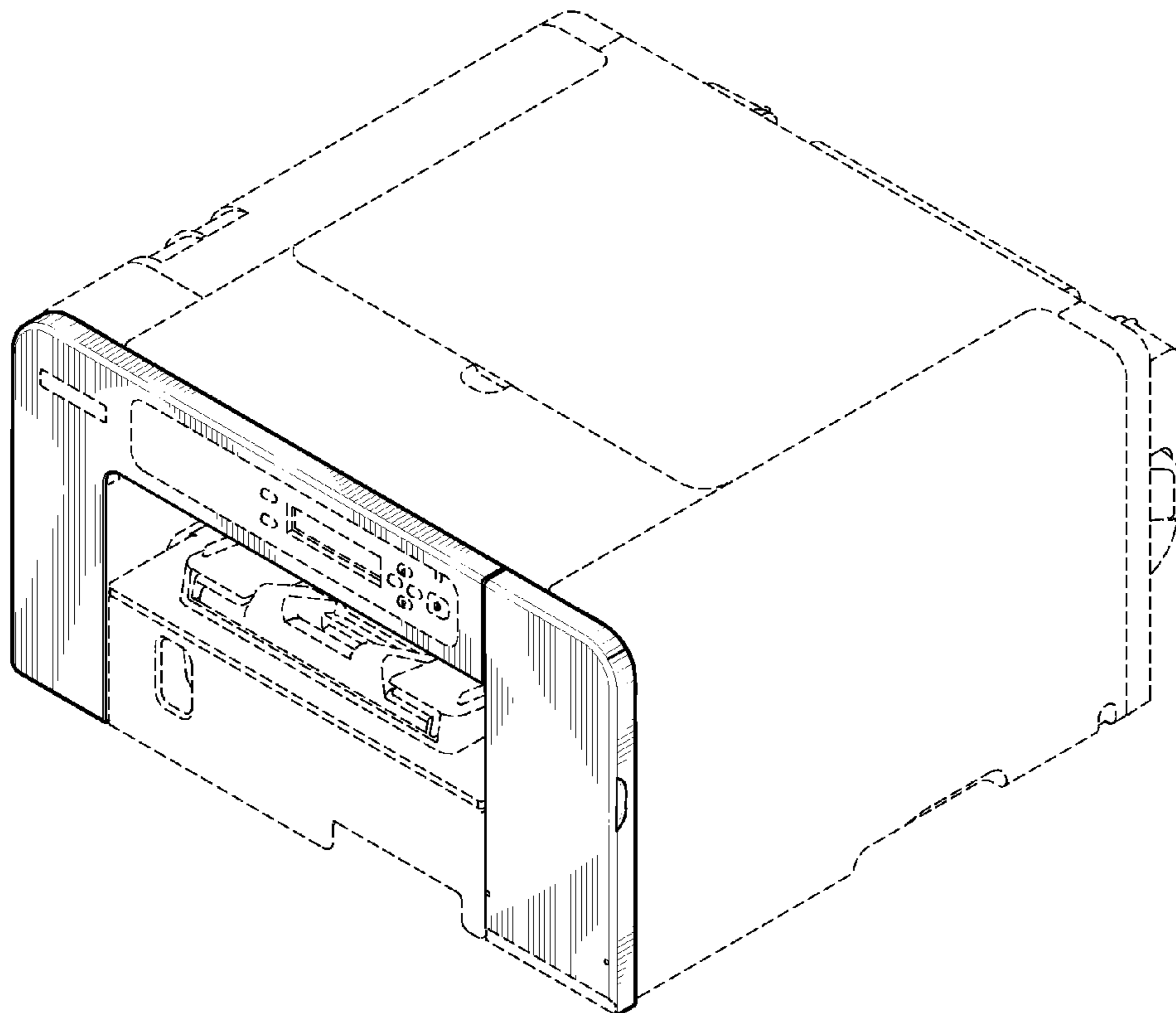
(57) **CLAIM**

The ornamental design for a printer, as shown and described.

DESCRIPTION

FIG. 1 is a front view of the printer, showing the new design;
FIG. 2 is a rear view thereof;
FIG. 3 is a left side view thereof;
FIG. 4 is a right side view thereof;
FIG. 5 is a top view thereof;
FIG. 6 is a bottom view thereof; and,
FIG. 7 is a front, right side and top perspective view thereof.
The broken line showing of portions of the printer is for the purpose of illustrating environmental structure and forms no part of the claimed design.

1 Claim, 4 Drawing Sheets



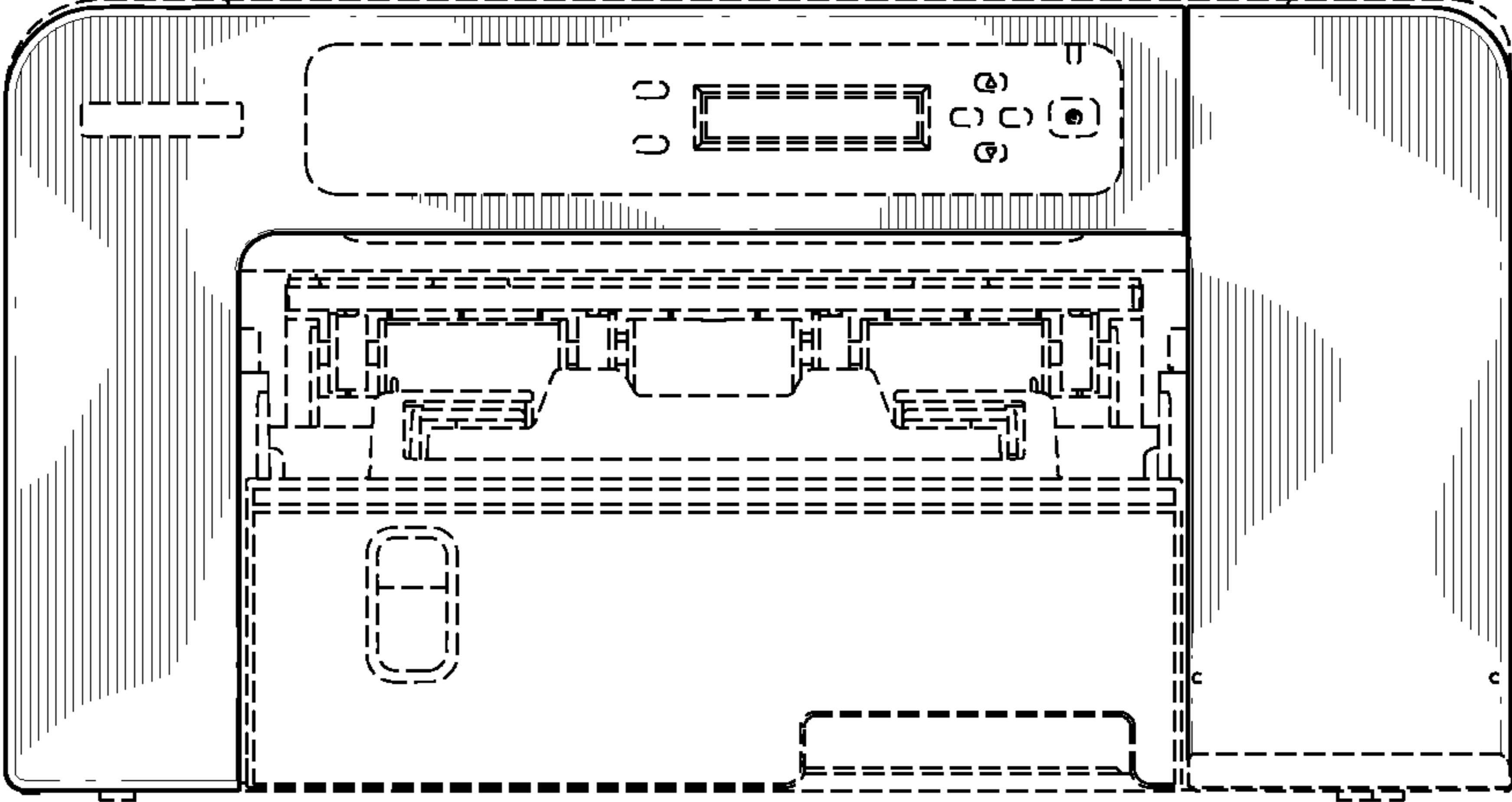


FIG. 1

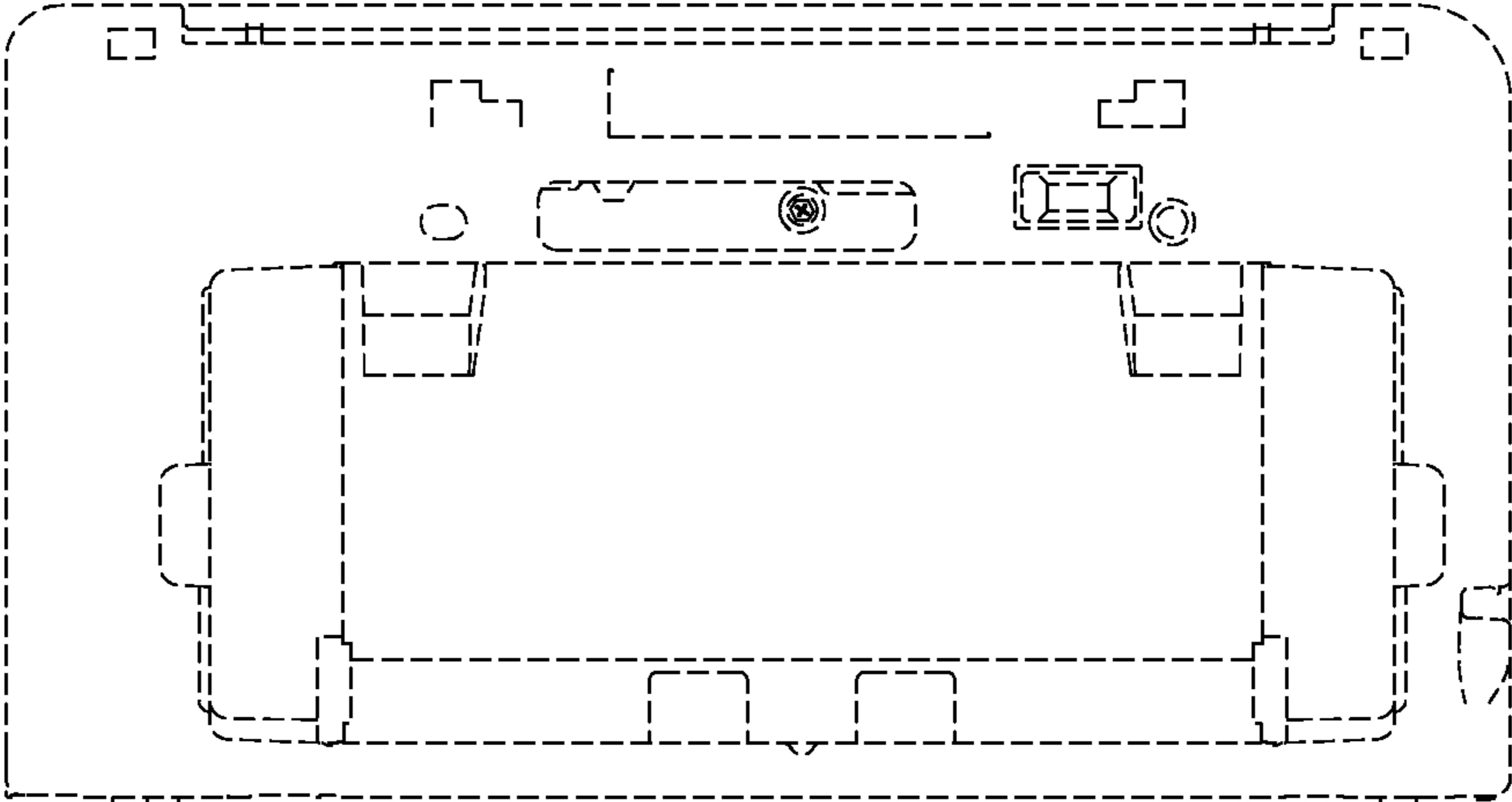


FIG. 2

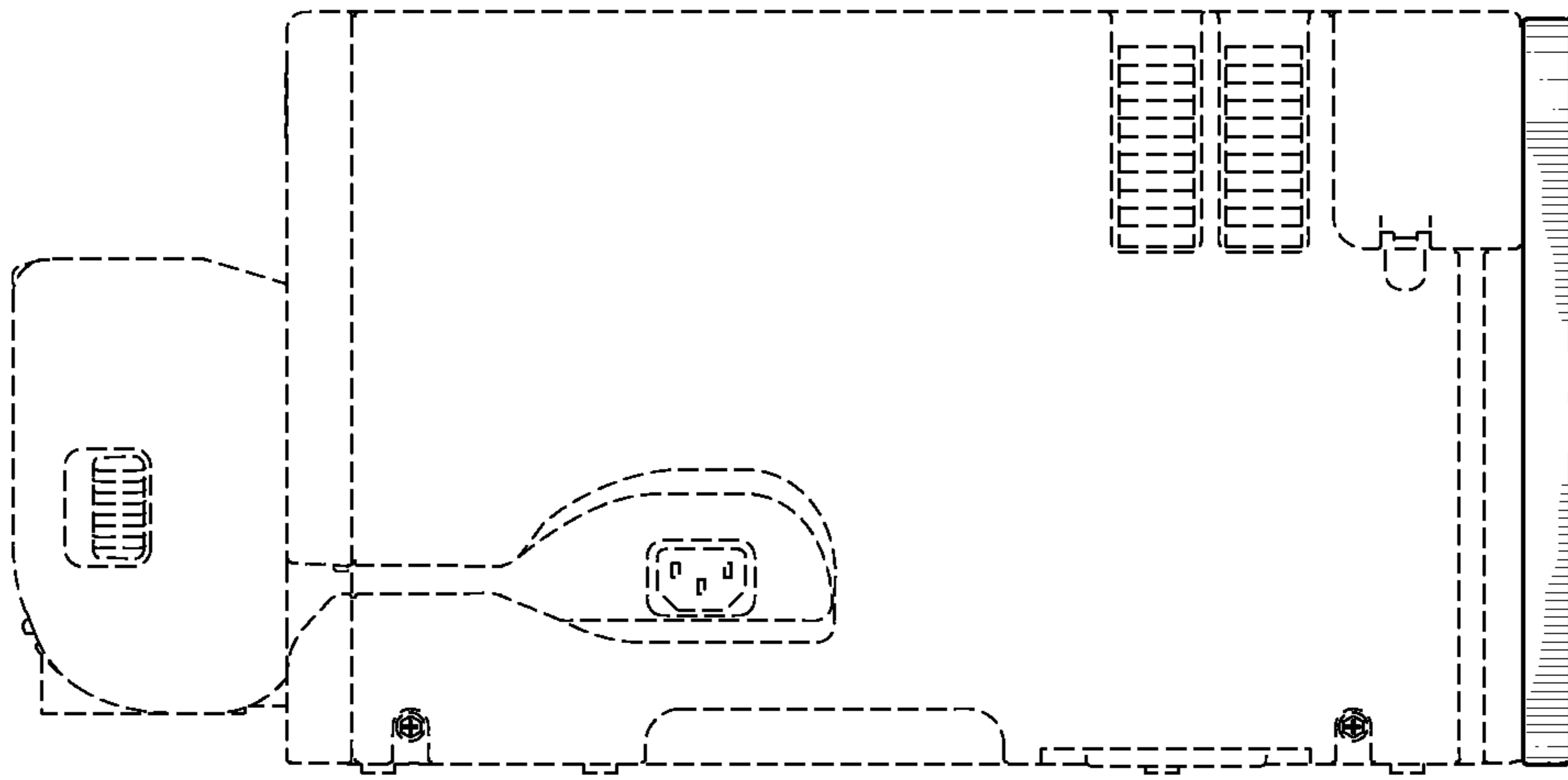


FIG. 3

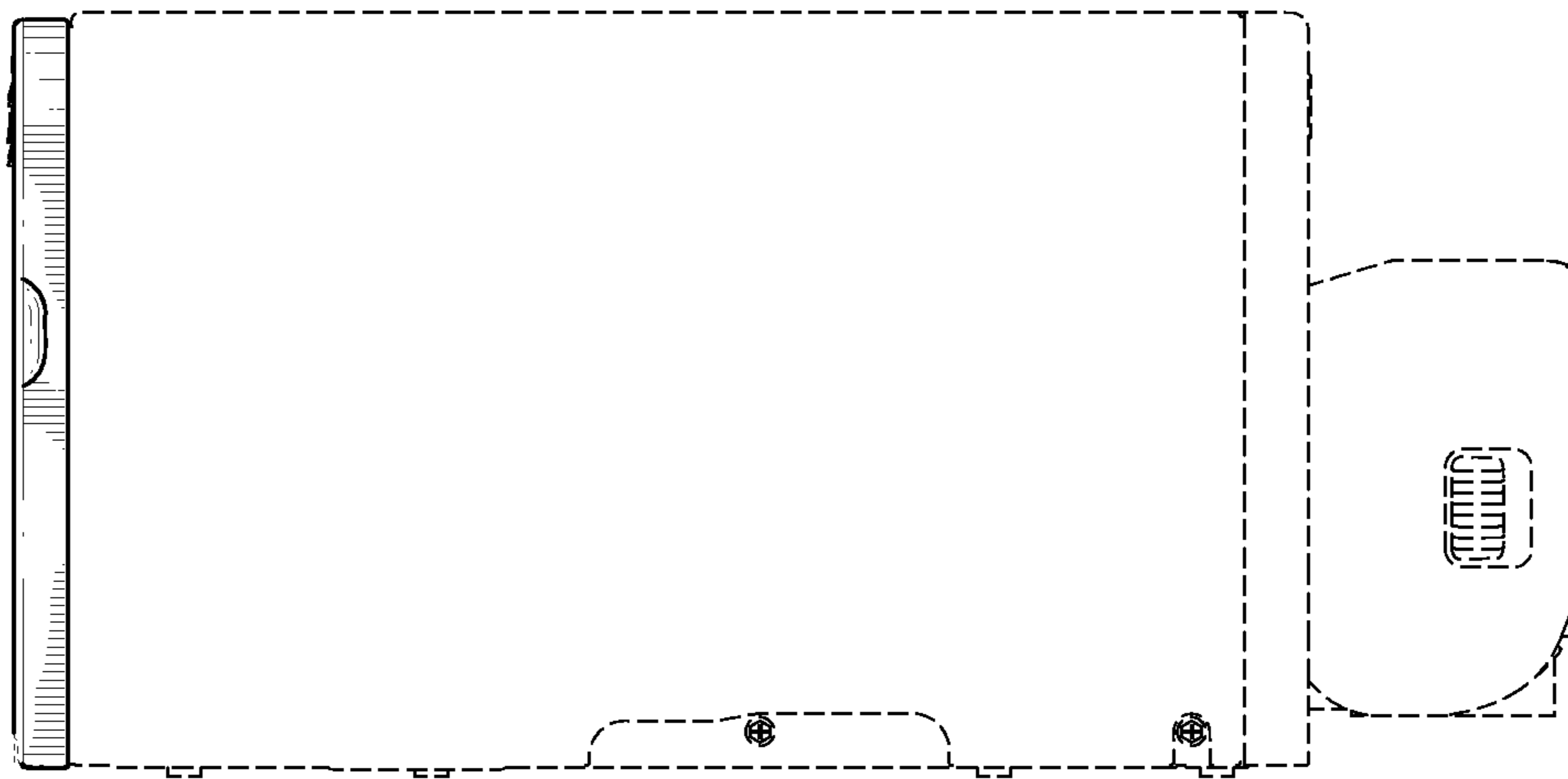


FIG. 4

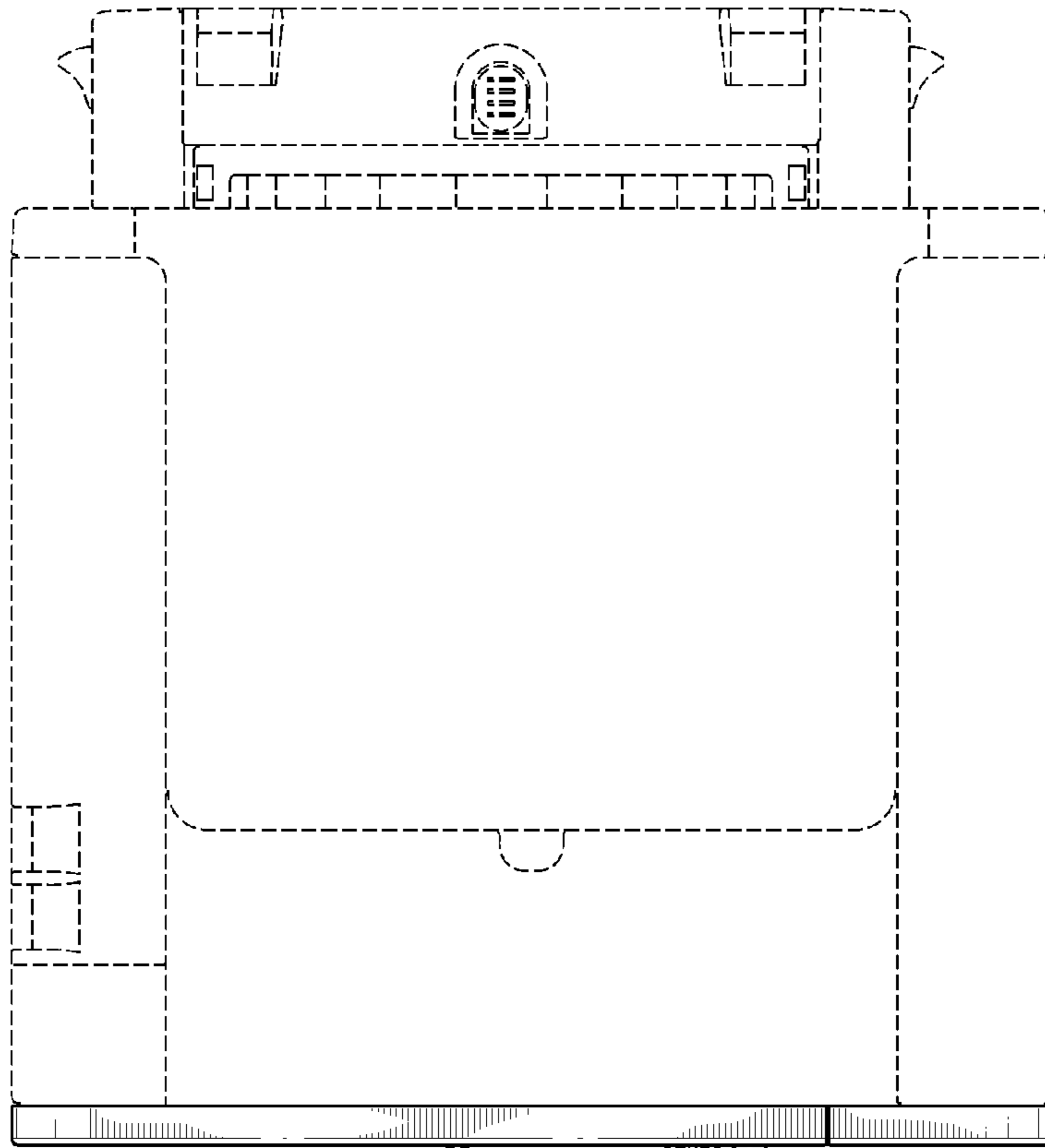


FIG. 5

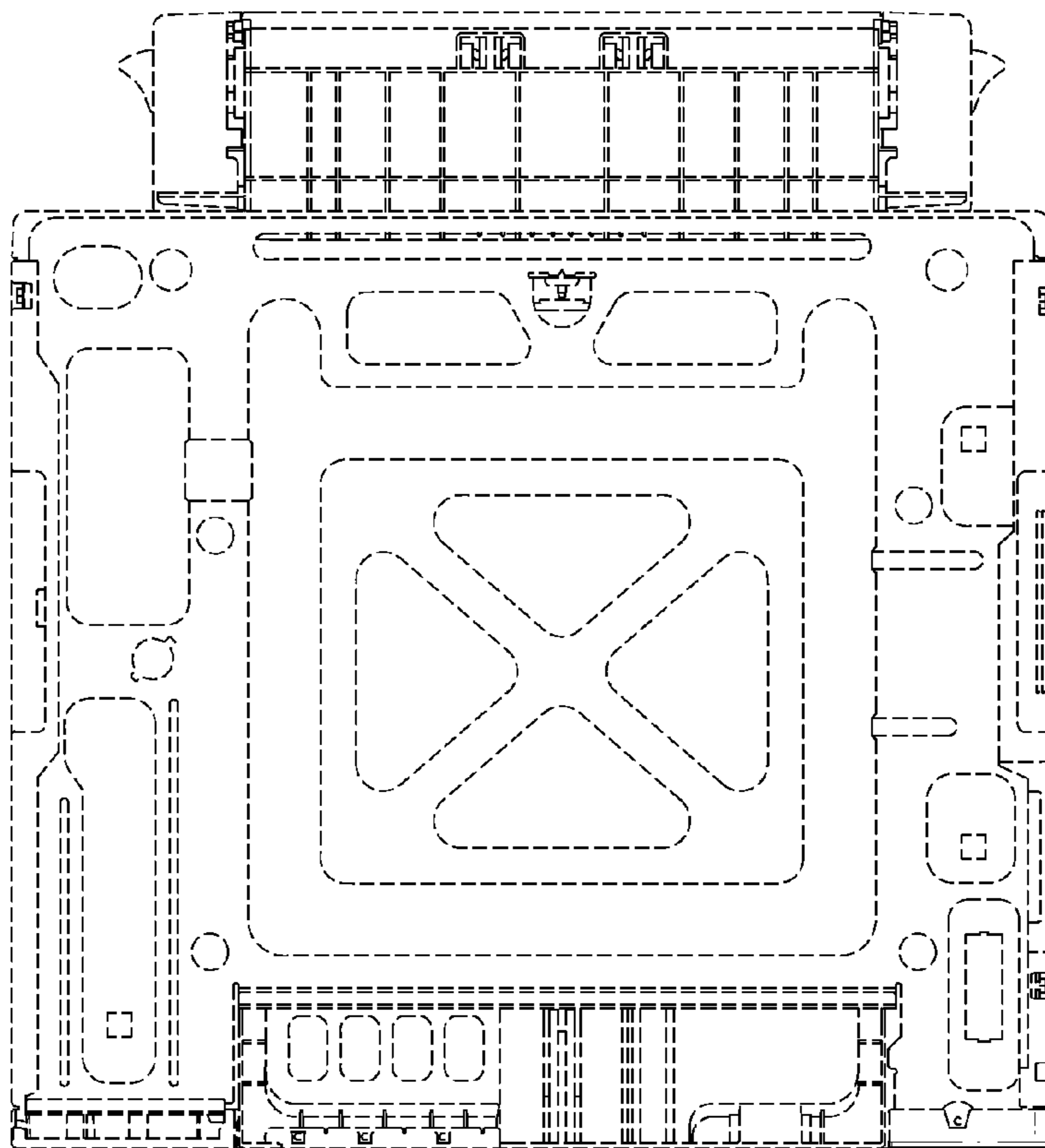


FIG. 6

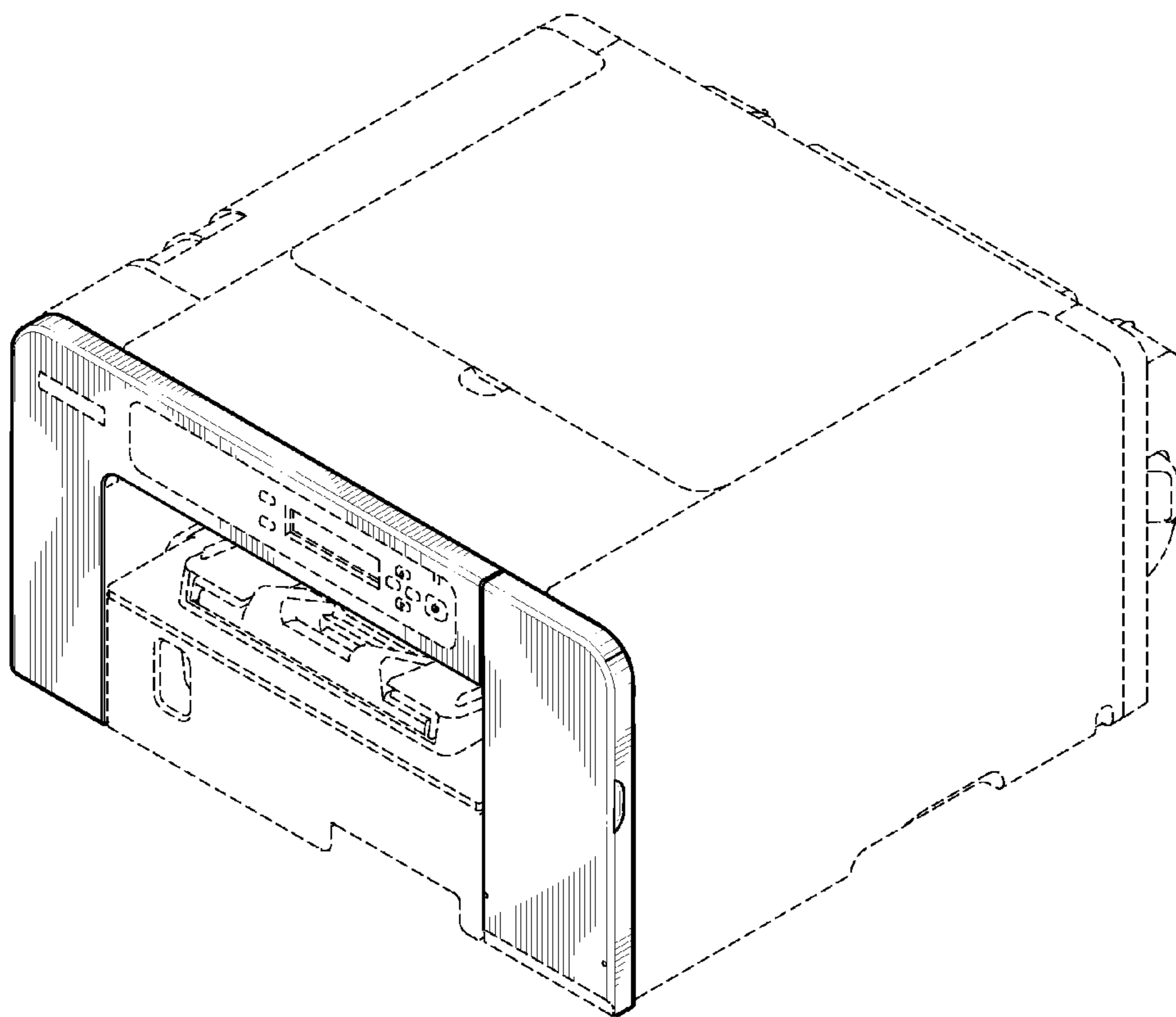


FIG. 7