



US00D683395S

(12) **United States Design Patent**  
**Inoue et al.**

(10) **Patent No.:** **US D683,395 S**

(45) **Date of Patent:** **\*\* May 28, 2013**

(54) **PRINTER**

(75) Inventors: **Susumu Inoue**, Matsumoto (JP); **Emi Akahane**, Azumino (JP); **Wataru Suzuki**, Shiojiri (JP); **Tomoko Iwasaki**, Shiojiri (JP); **Takayuki Iijima**, Shiojiri (JP); **Seiya Hayashi**, Matsumoto (JP); **Mayu Arai**, Shiojiri (JP)

(73) Assignee: **Seiko Epson Corporation**, Tokyo (JP)

(\*\*) Term: **14 Years**

(21) Appl. No.: **29/406,874**

(22) Filed: **Nov. 21, 2011**

(30) **Foreign Application Priority Data**

Jun. 10, 2011 (JP) ..... 2011-013185

(51) **LOC (9) Cl.** ..... **14-02**

(52) **U.S. Cl.**  
USPC ..... **D18/50**

(58) **Field of Classification Search** ..... D18/19,  
D18/36-38, 50, 52, 54, 54.1, 55; D14/420-425,  
D14/462-470; 400/613, 613.1-613.4, 690.1-690.4,  
400/691-694

See application file for complete search history.

(56) **References Cited**

**U.S. PATENT DOCUMENTS**

D260,903 S \* 9/1981 Overman ..... D18/36  
4,884,904 A \* 12/1989 Berquist ..... D18/50

D314,787 S \* 2/1991 Gotham ..... D18/36  
D355,672 S \* 2/1995 Meister, Jr. .... D18/99  
D362,679 S \* 9/1995 Meister, Jr. .... D18/99  
D372,492 S \* 8/1996 Stanton ..... D18/54.1  
D532,451 S \* 11/2006 Ito et al. .... D18/55  
D607,926 S \* 1/2010 Miyauchi et al. .... D18/55

**FOREIGN PATENT DOCUMENTS**

JP 1419967 S 8/2011

\* cited by examiner

*Primary Examiner* — Cathy A MacCormac

(57) **CLAIM**

The ornamental design for a printer, as shown and described.

**DESCRIPTION**

FIG. 1 is a front, top and right side perspective view of a printer showing our new design;  
FIG. 2 is a rear, top and left side perspective view thereof;  
FIG. 3 is a front view thereof;  
FIG. 4 is a rear view thereof;  
FIG. 5 is a left side view thereof;  
FIG. 6 is a right side view thereof;  
FIG. 7 is a top plan view thereof;  
FIG. 8 is a bottom plan view thereof; and,  
FIG. 9 is a perspective view thereof showing the tray in an open position.

The features shown in broken lines in the drawings depict environmental subject matter only and form no part of the claimed design.

**1 Claim, 9 Drawing Sheets**

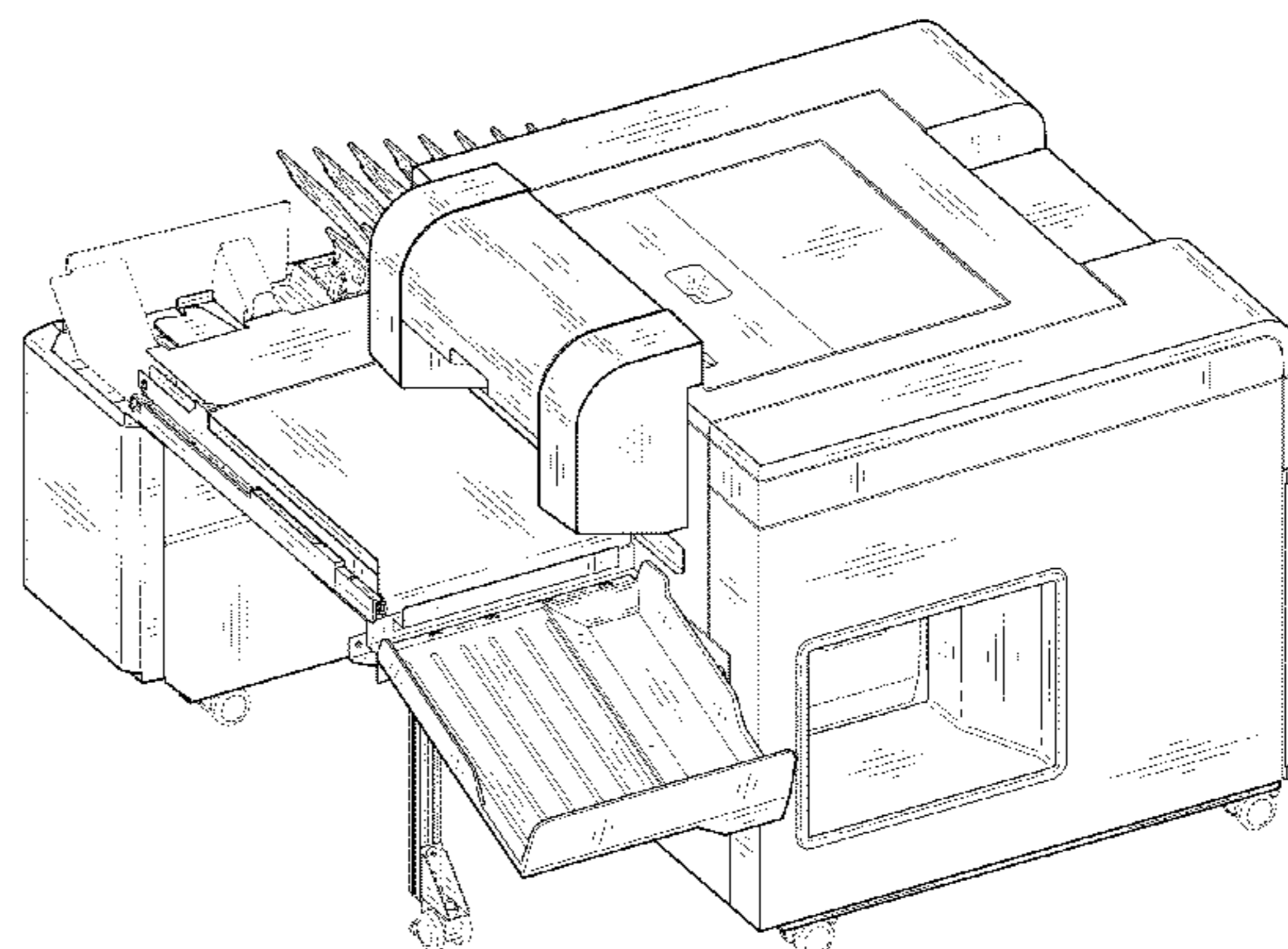
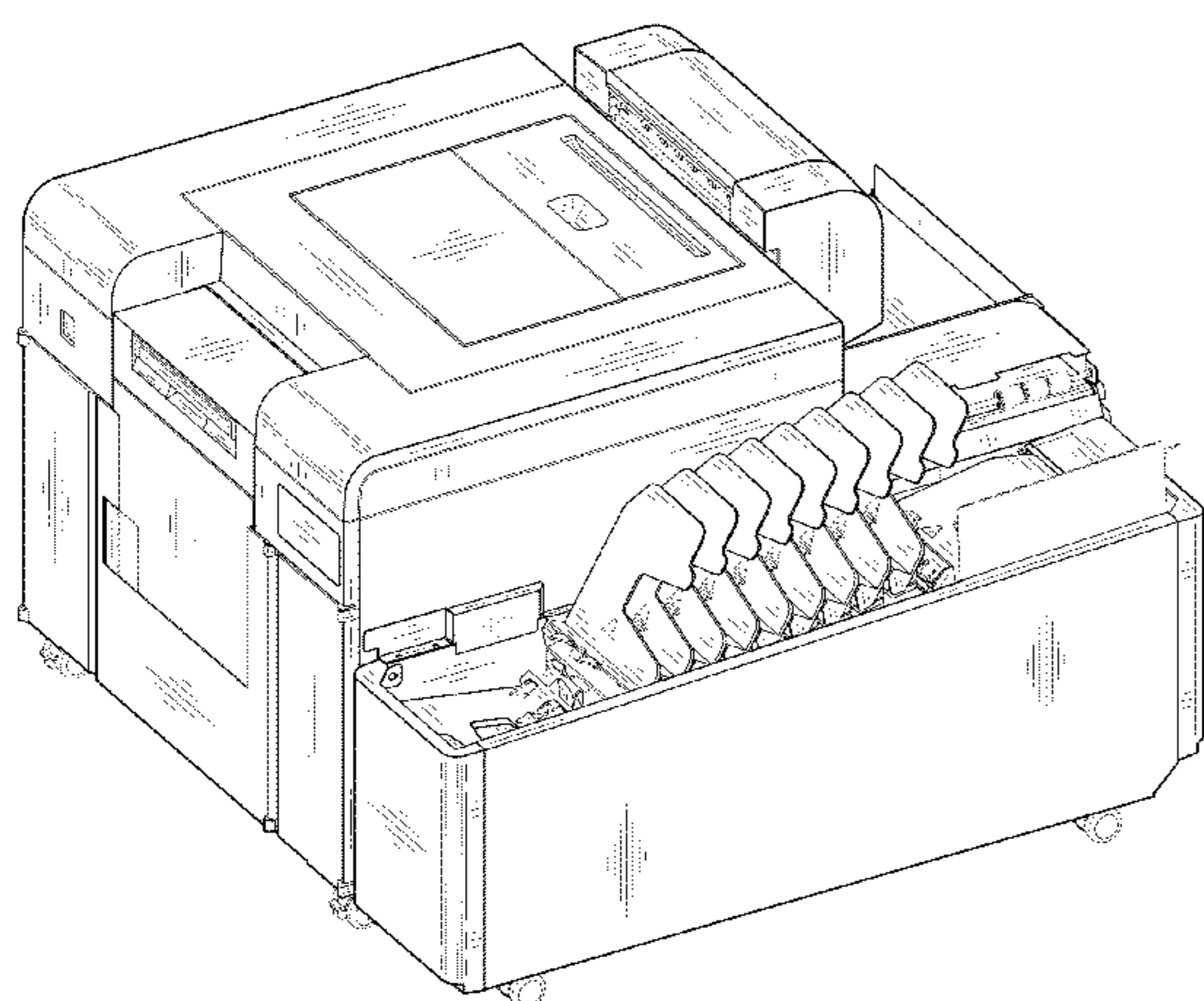


FIG. 1

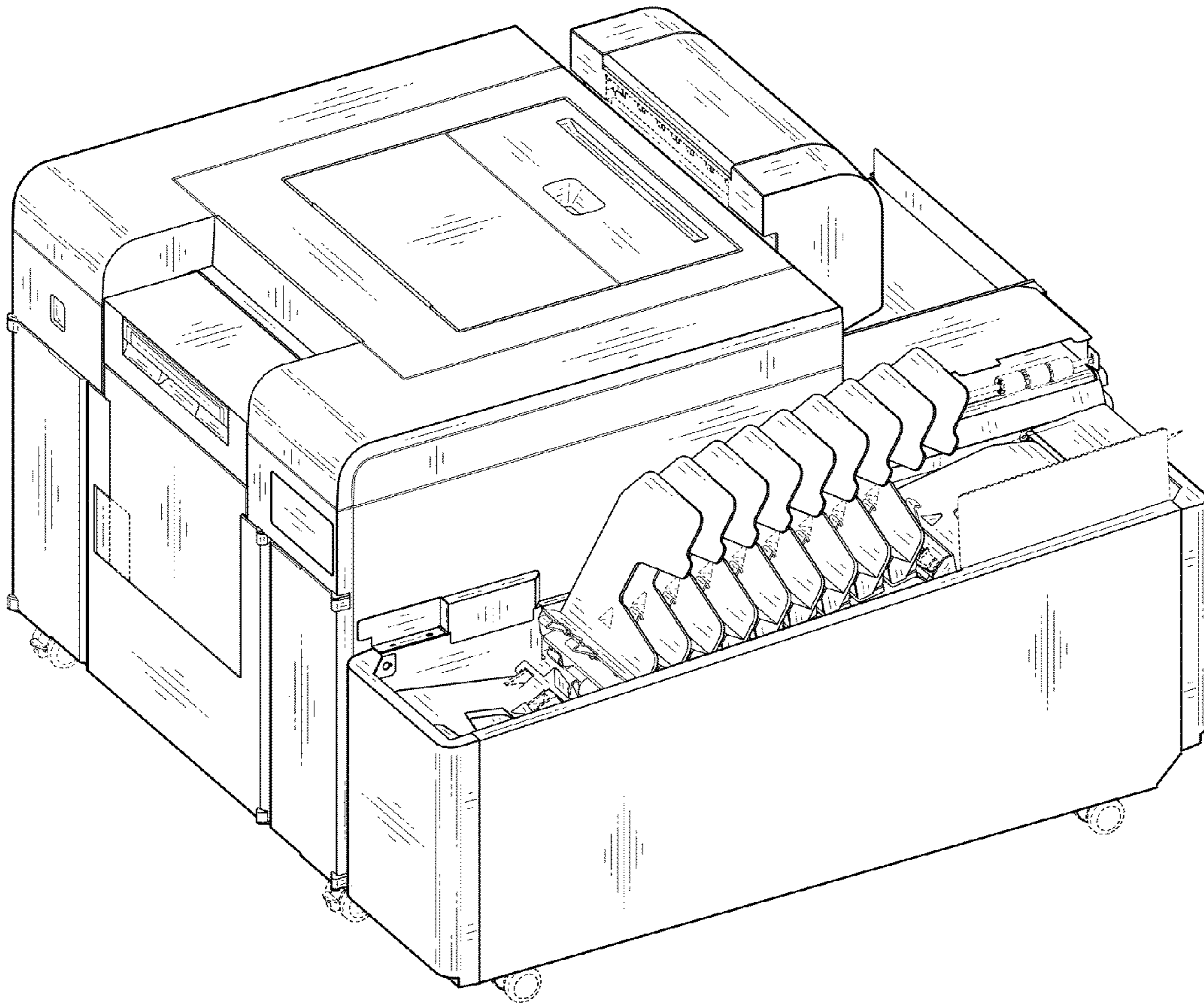


FIG. 2

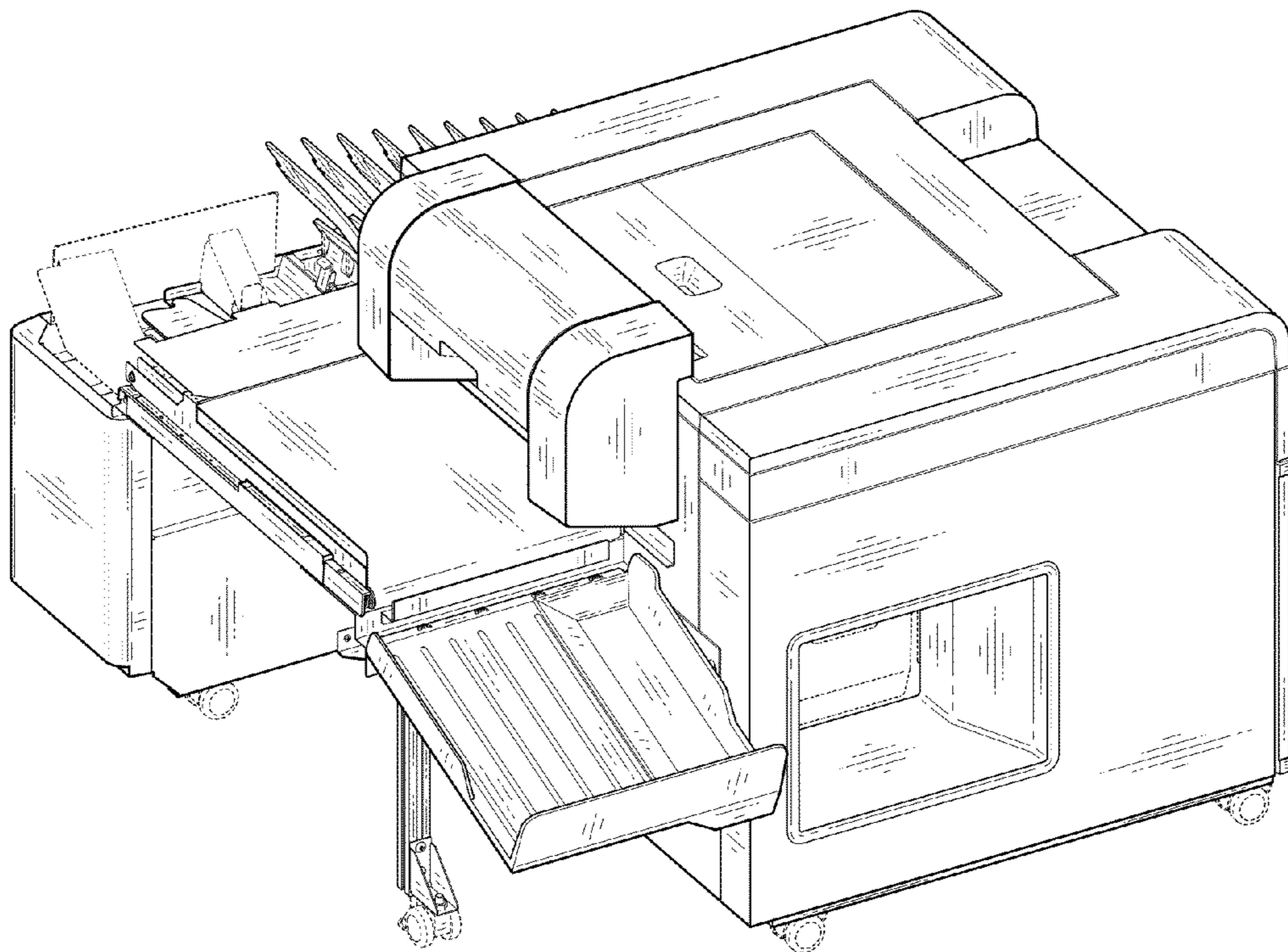


FIG. 3

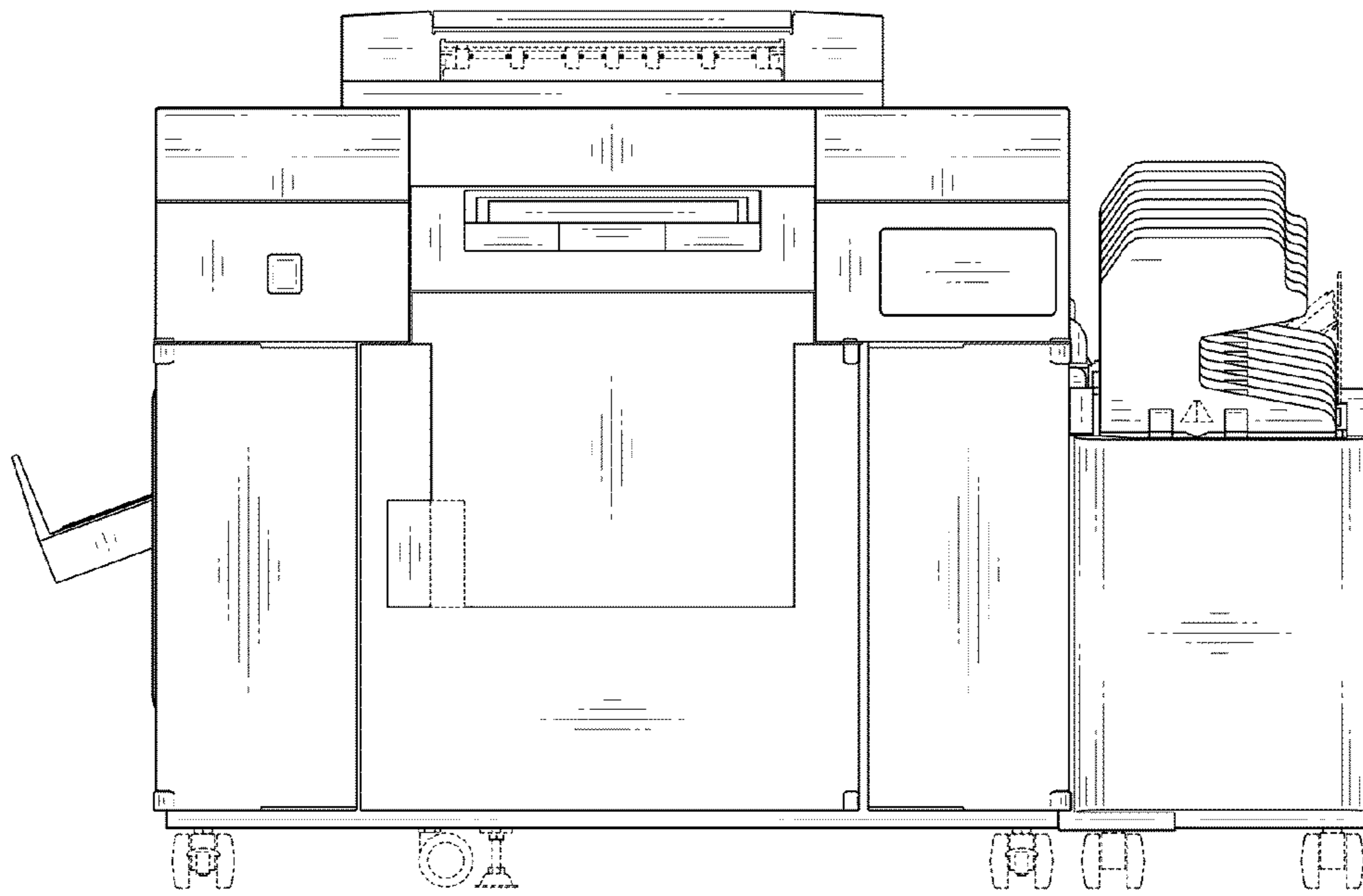


FIG. 4

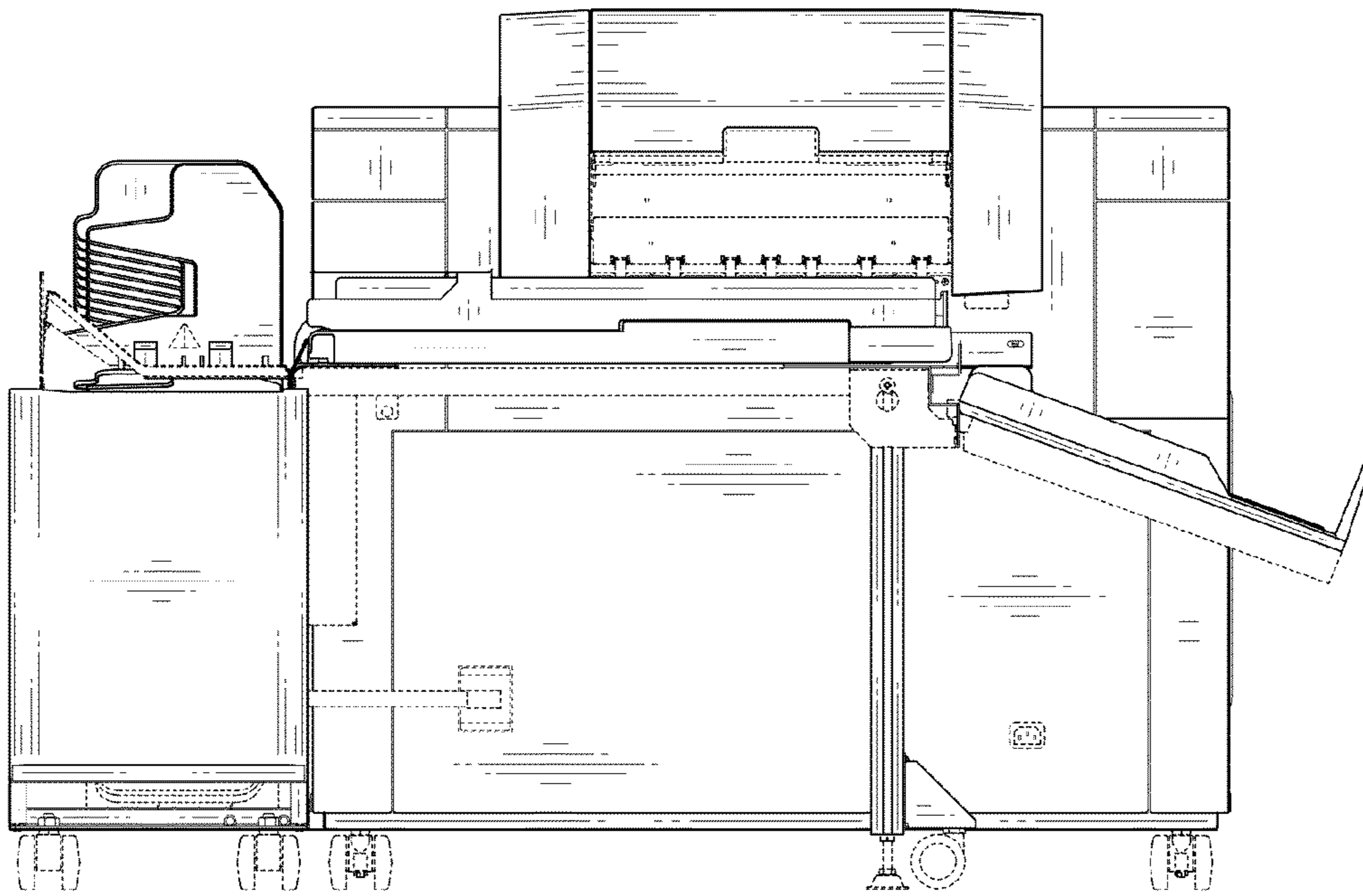


FIG. 5

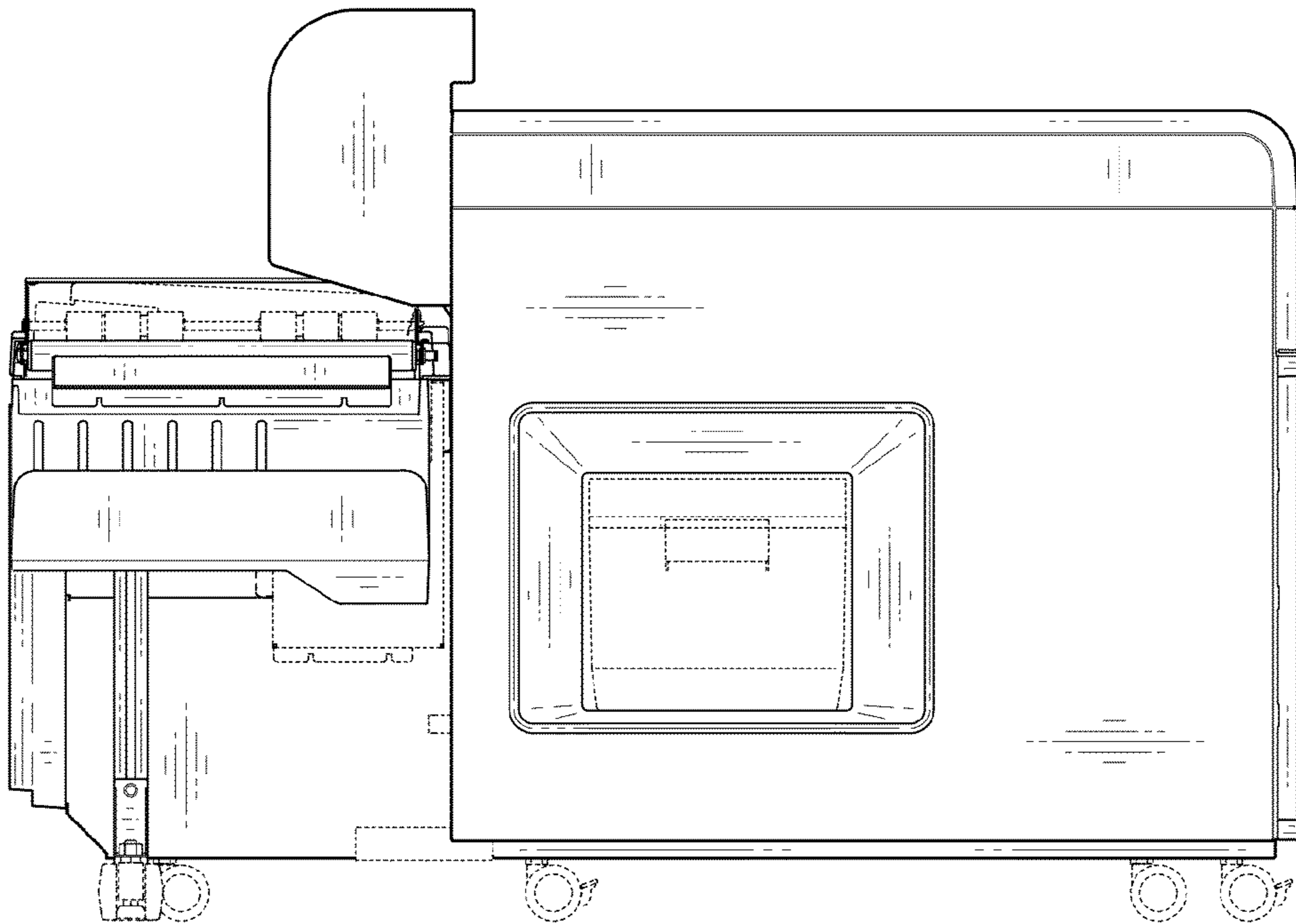


FIG. 6

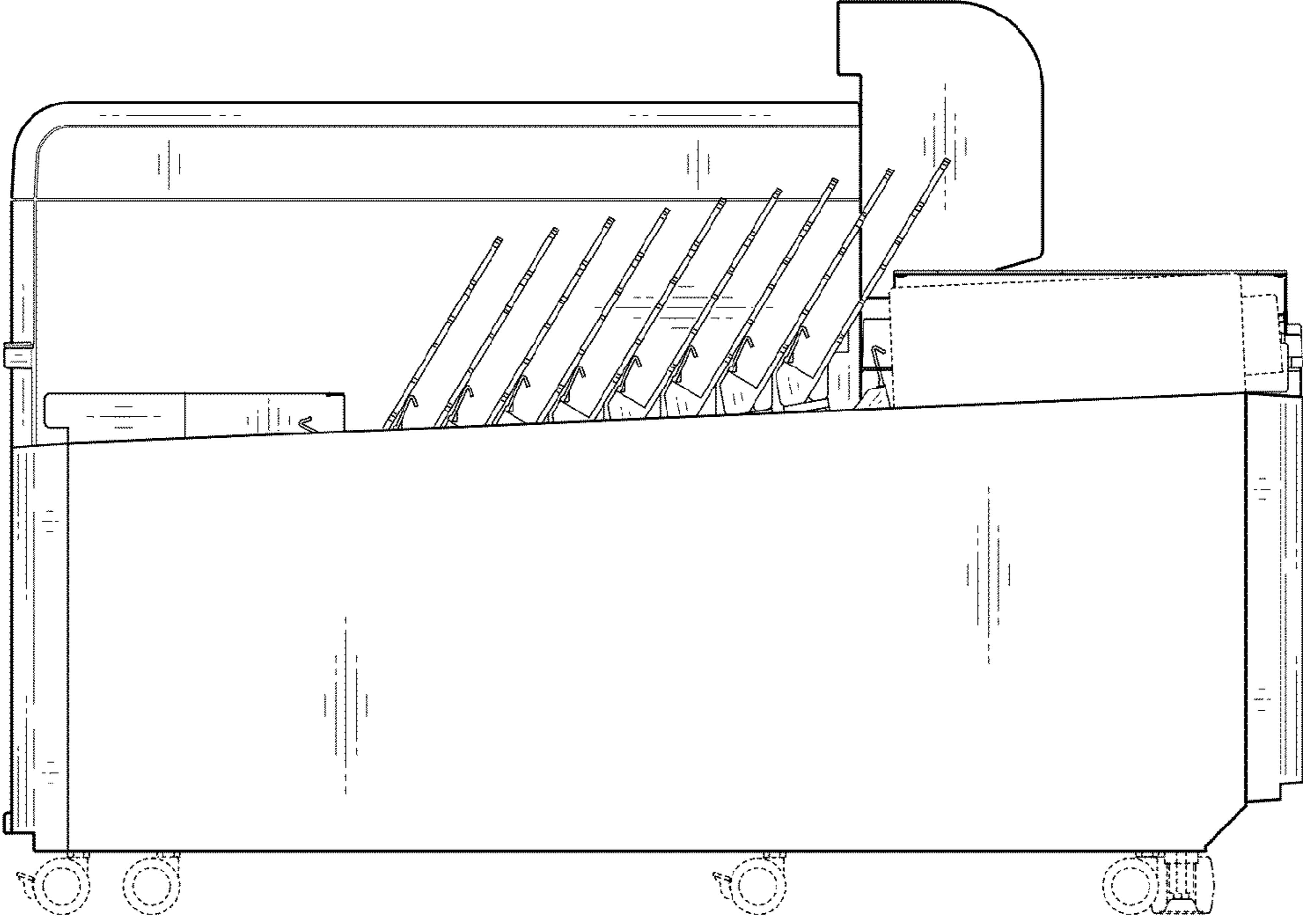


FIG. 7

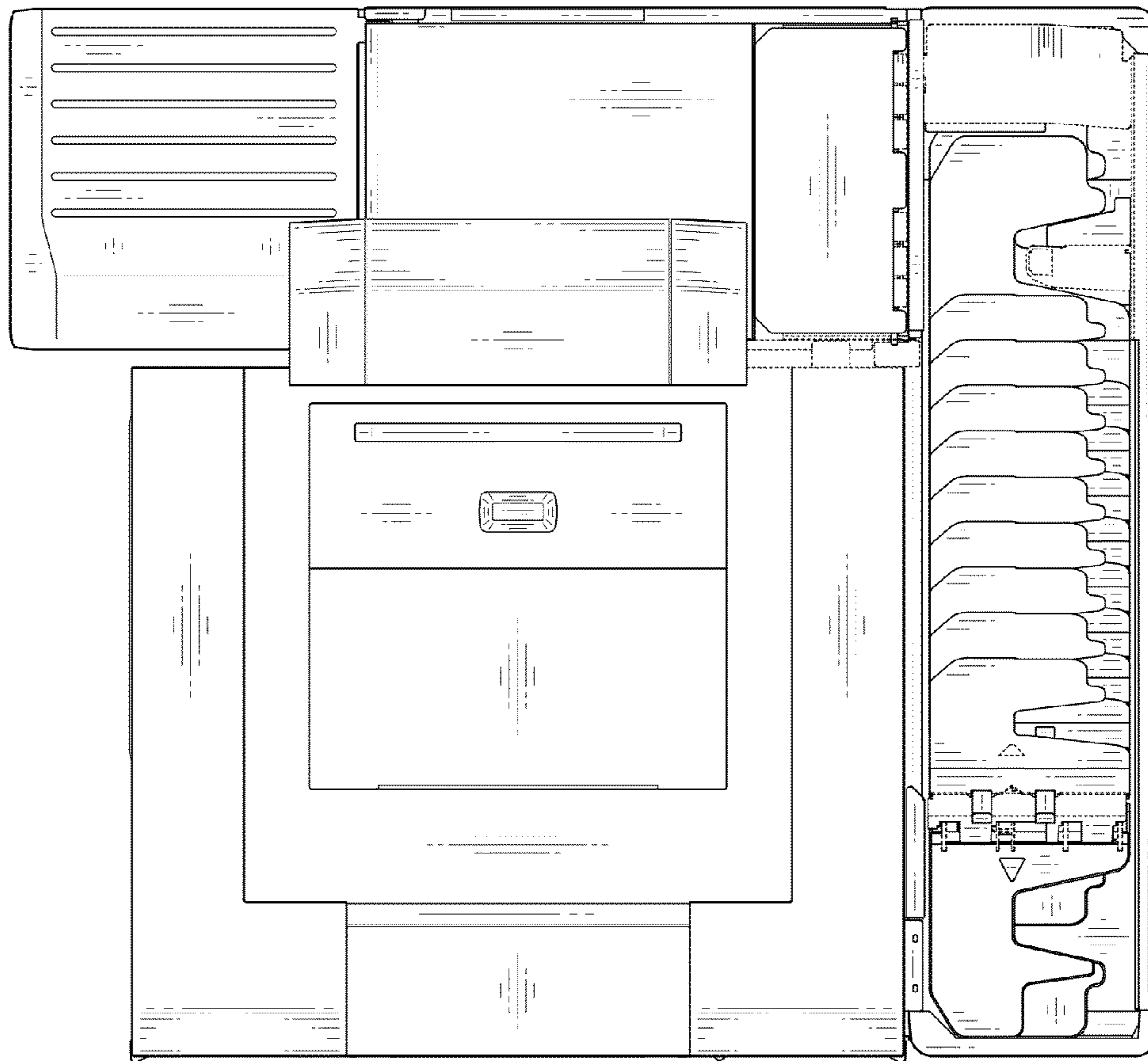




FIG. 8

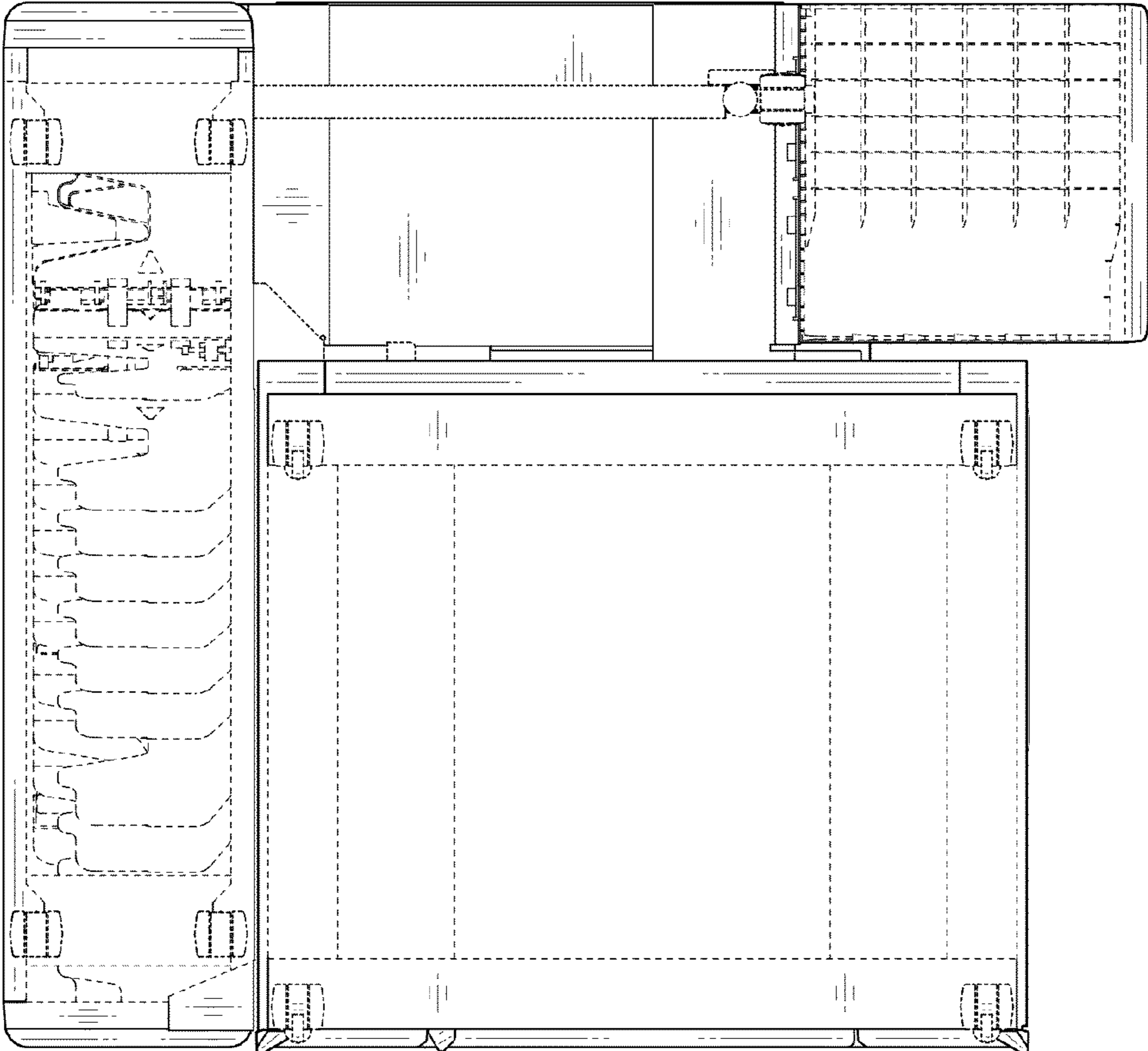


FIG. 9

