



US00D683392S

(12) **United States Design Patent**
Kurokawa et al.

(10) **Patent No.:** **US D683,392 S**
(45) **Date of Patent:** **** May 28, 2013**

(54) **FLANGE FOR XEROGRAPHIC
PHOTORECEPTOR**

(75) Inventors: **Keiichi Kurokawa**, Kawasaki (JP); **Yuji Ogawa**, Kawasaki (JP)

(73) Assignee: **Fuji Electric Co., Ltd.**, Kawasaki-shi, Kanagawa (JP)

(**) Term: **14 Years**

(21) Appl. No.: **29/429,408**

(22) Filed: **Aug. 10, 2012**

(30) **Foreign Application Priority Data**

May 2, 2012 (JP) D2012-010344

(51) **LOC (9) Cl.** **16-03**

(52) **U.S. Cl.**
USPC **D18/43**

(58) **Field of Classification Search** ... D14/471; D18/12, D18/36, 40, 43, 44, 56; 222/DIG. 1; 347/197, 347/222; 399/24-28, 107-112, 119, 121, 399/122, 222-224

See application file for complete search history.

(56) **References Cited**

U.S. PATENT DOCUMENTS

| | | | | | |
|--------------|------|---------|-----------------|-------|---------|
| D395,058 | S * | 6/1998 | Montes | | D18/40 |
| 5,966,566 | A * | 10/1999 | Odagawa et al. | | 399/109 |
| 6,029,032 | A * | 2/2000 | Watanabe et al. | | 399/111 |
| D537,472 | S * | 2/2007 | Amano | | D18/43 |
| D618,720 | S * | 6/2010 | Wasai | | D18/43 |
| D618,721 | S * | 6/2010 | Wasai | | D18/43 |
| 7,747,189 | B2 * | 6/2010 | Shanun et al. | | 399/109 |
| D620,522 | S * | 7/2010 | Amano | | D18/43 |
| D667,049 | S * | 9/2012 | Park et al. | | D18/43 |
| 2009/0010681 | A1 * | 1/2009 | Huck et al. | | 399/167 |
| 2010/0196047 | A1 * | 8/2010 | Jin | | 399/111 |
| 2012/0257906 | A1 * | 10/2012 | Zhao | | 399/111 |

* cited by examiner

Primary Examiner — Garth Rademaker

(74) *Attorney, Agent, or Firm* — Young Basile

(57) **CLAIM**

The ornamental design for a flange for xerographic photoreceptor, as shown and described.

DESCRIPTION

FIG. 1 is a front view of a flange for xerographic photoreceptor according to our new design;

FIG. 2 is a rear view of the flange for xerographic photoreceptor of FIG. 1;

FIG. 3 is a left side view of the flange for xerographic photoreceptor of FIG. 1;

FIG. 4 is a right side view of the flange for xerographic photoreceptor of FIG. 1;

FIG. 5 is a top view of the flange for xerographic photoreceptor of FIG. 1;

FIG. 6 is a bottom view of the flange for xerographic photoreceptor of FIG. 1;

FIG. 7 is a right side view of the flange for xerographic photoreceptor of FIG. 1, including cross-section indicia;

FIG. 8 is a cross-section view of the flange for xerographic photoreceptor of FIG. 1, taken along line 8-8 of FIG. 7;

FIG. 9 is a perspective view of the flange for xerographic photoreceptor of FIG. 1; and,

FIG. 10 is a front view thereof, shown at a reduced scale and in an alternate environment of use.

The evenly-spaced broken lines depict environmental subject matter and the unevenly-spaced broken line in FIG. 8 illustrates a boundary of the claimed design. None of the broken lines form any part of the claimed design.

The ornamental design of the present disclosure is a flange that can be fitted in an open end of a xerographic photoreceptor (also called a photoconductor drum). The xerographic photoreceptor can be incorporated in a process cartridge to be removably installed in electro-photographic application equipment, such as a copying machine, etc., and receives a rotational driving force from an apparatus main body. The xerographic photoreceptor is rotated by the rotational driving force to be transmitted to the flange to print a latent image of the xerographic photoreceptor on print media.

1 Claim, 10 Drawing Sheets

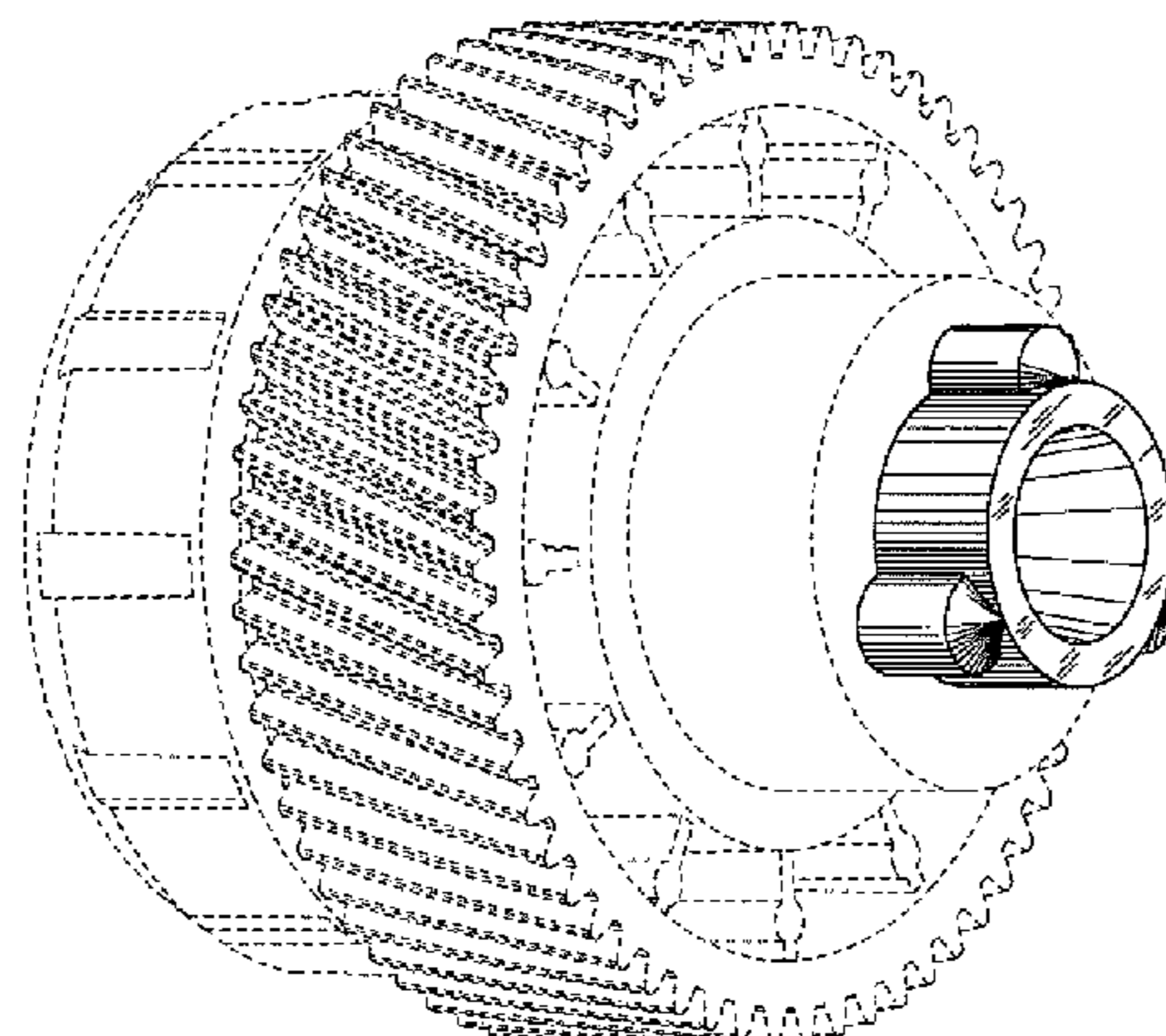


Fig. 1

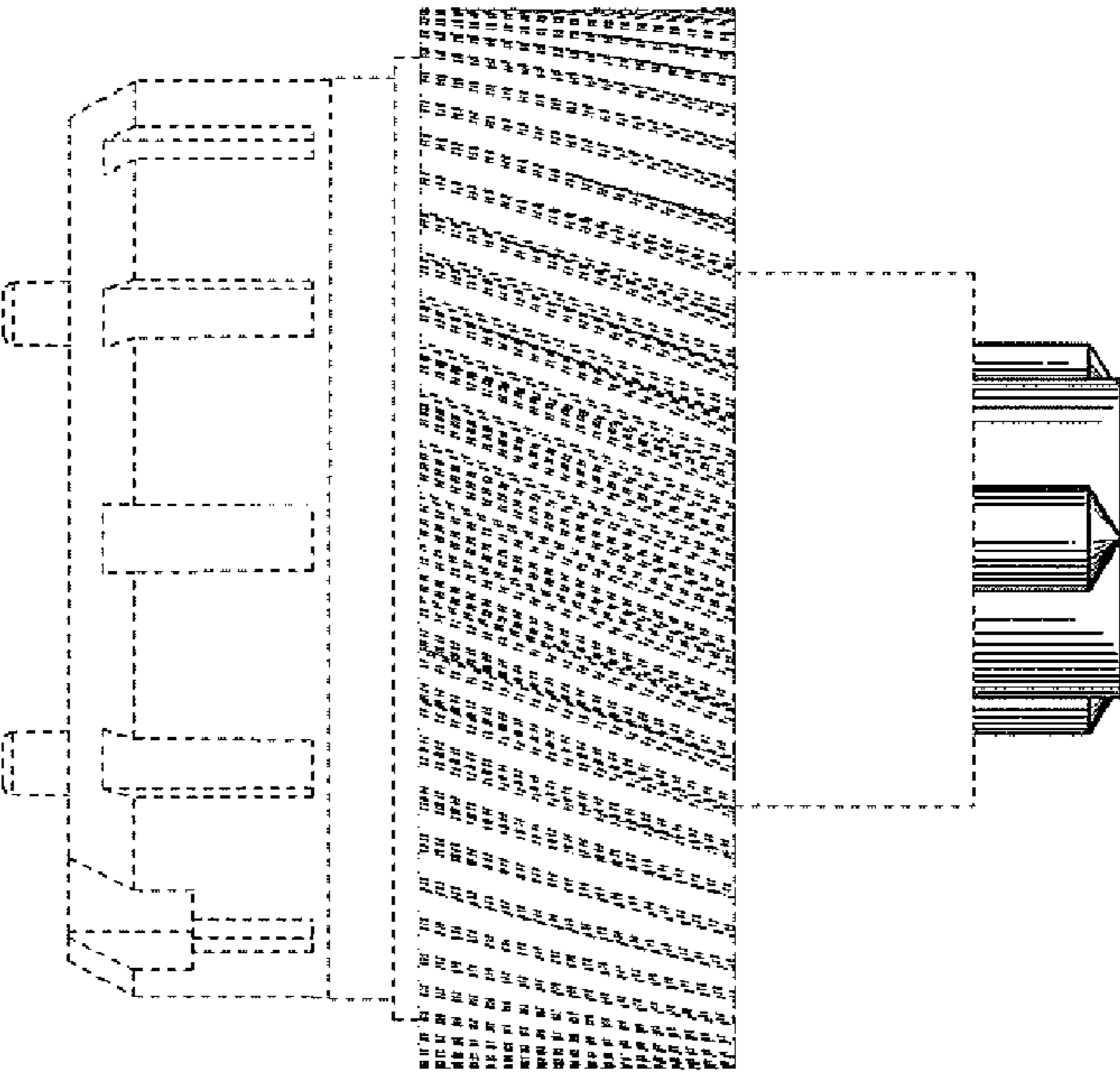


Fig. 2

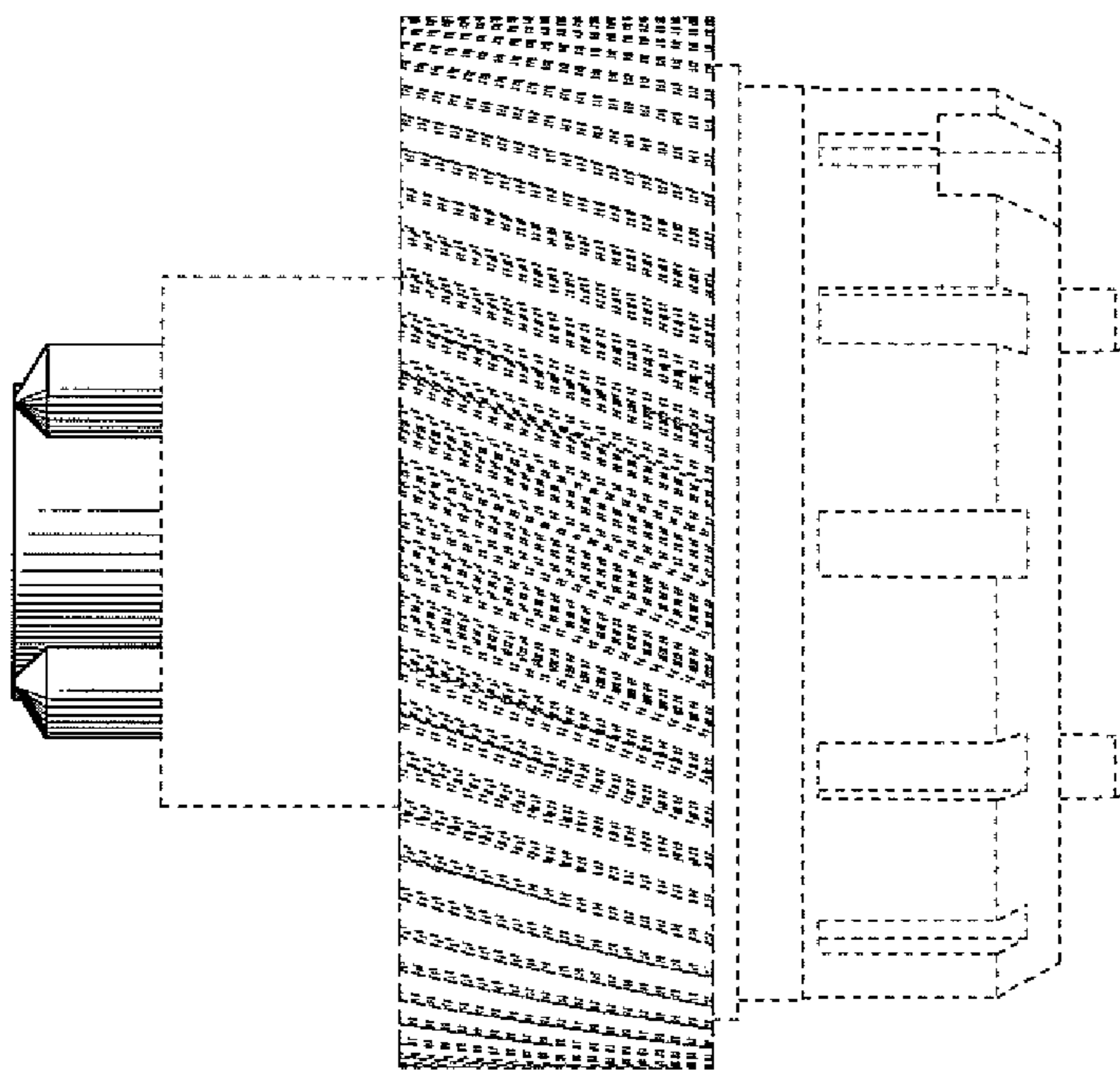


Fig.3

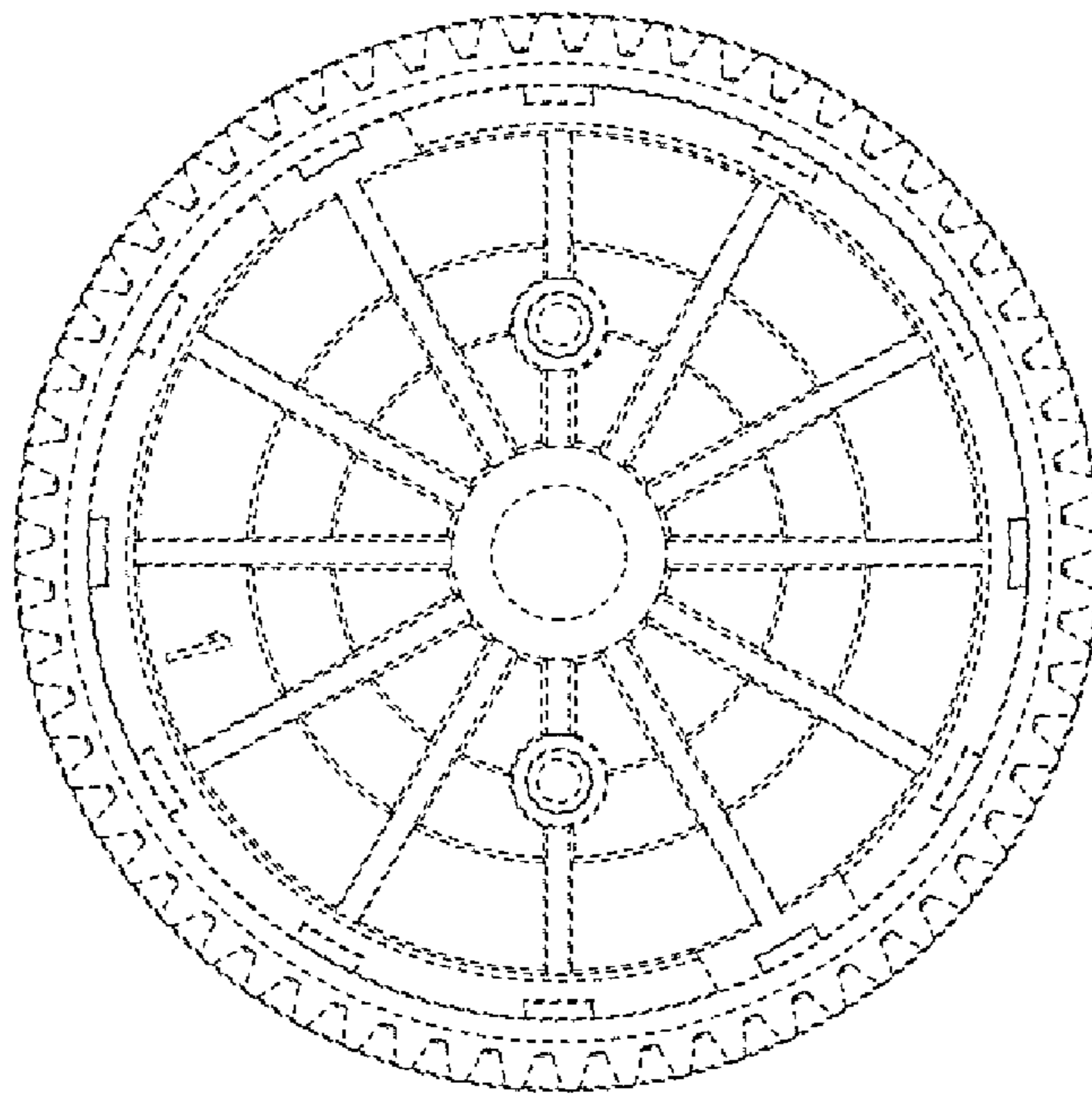


Fig.4

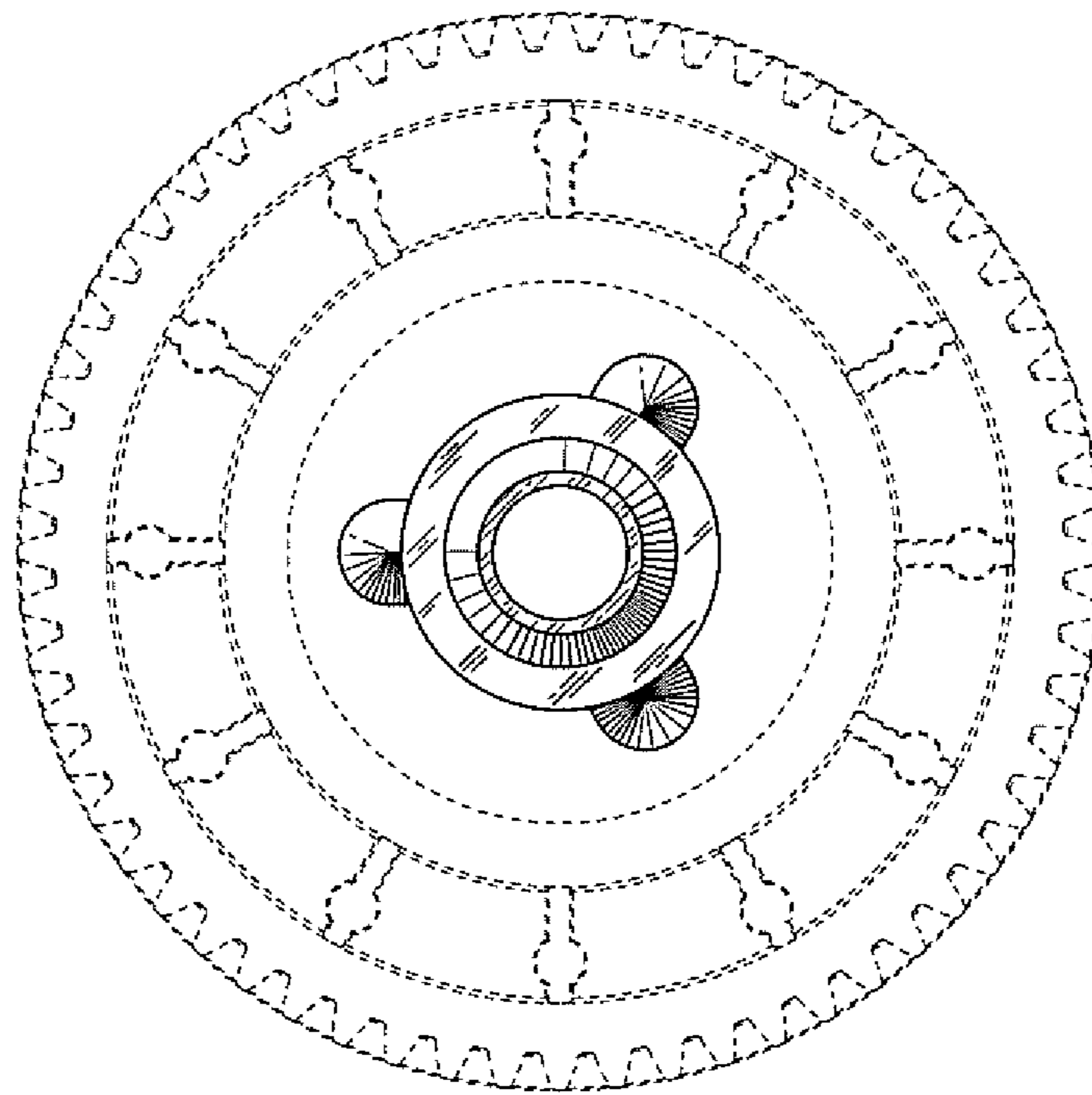


Fig. 5

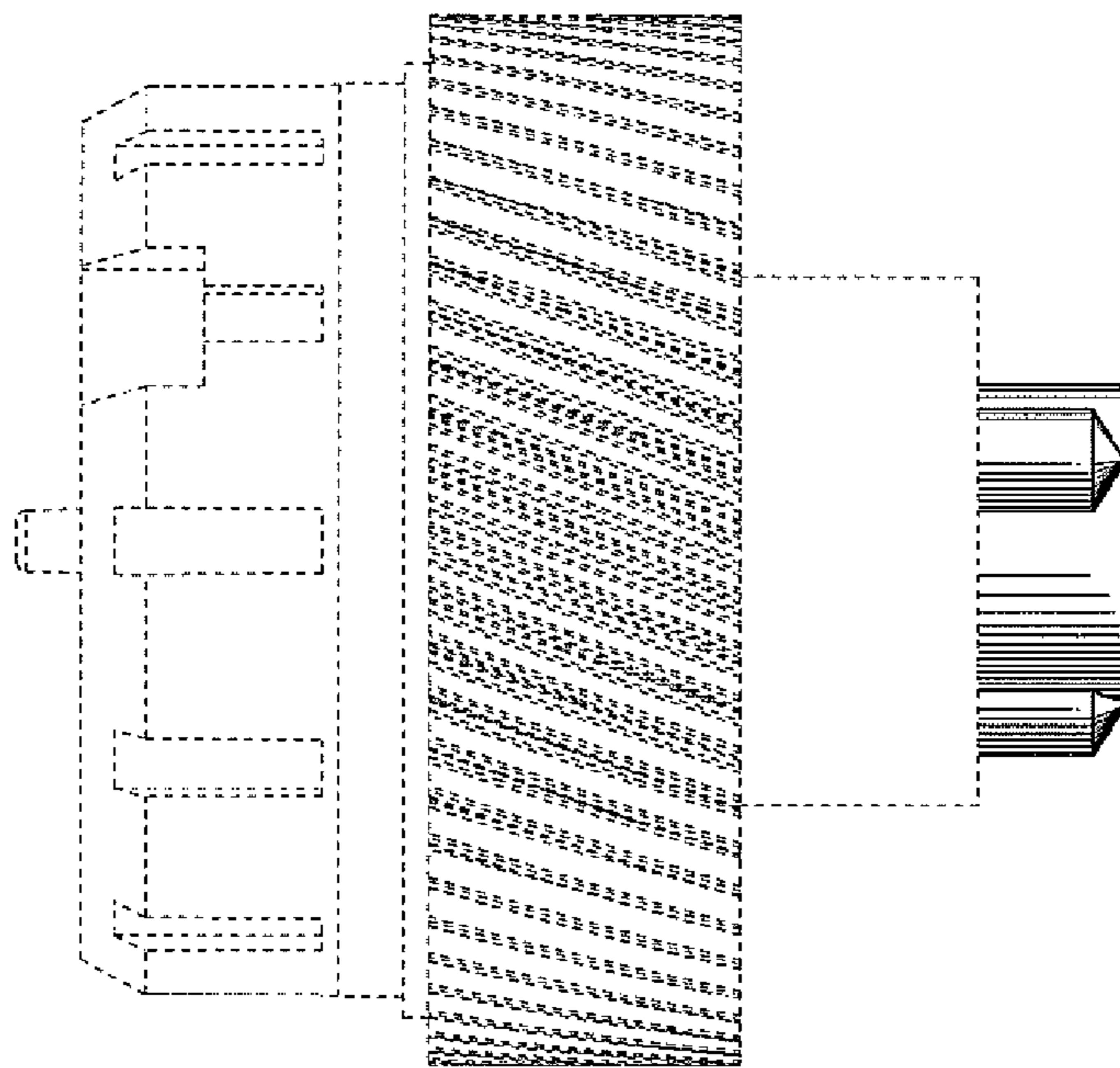


Fig. 6

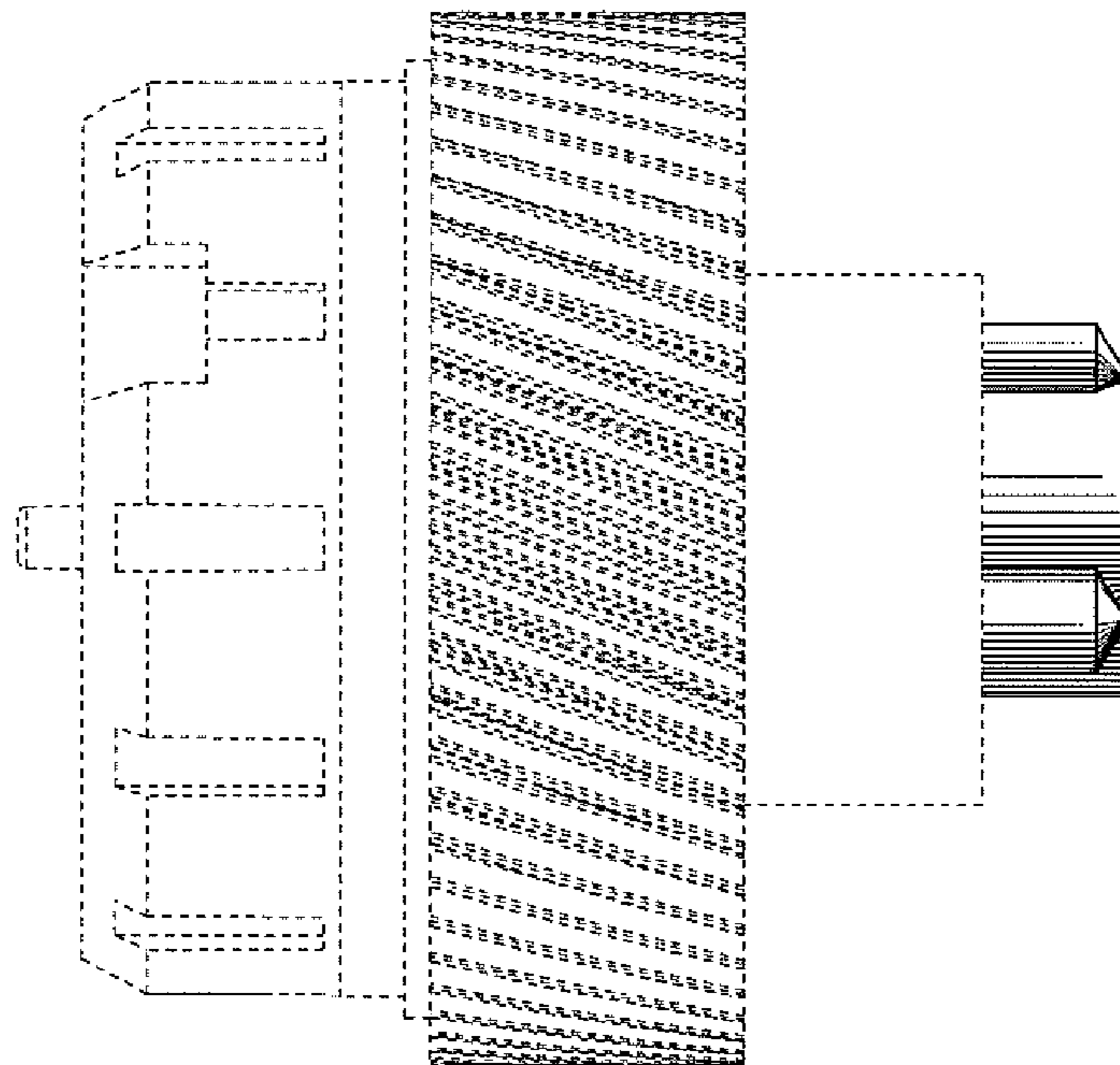


Fig.7

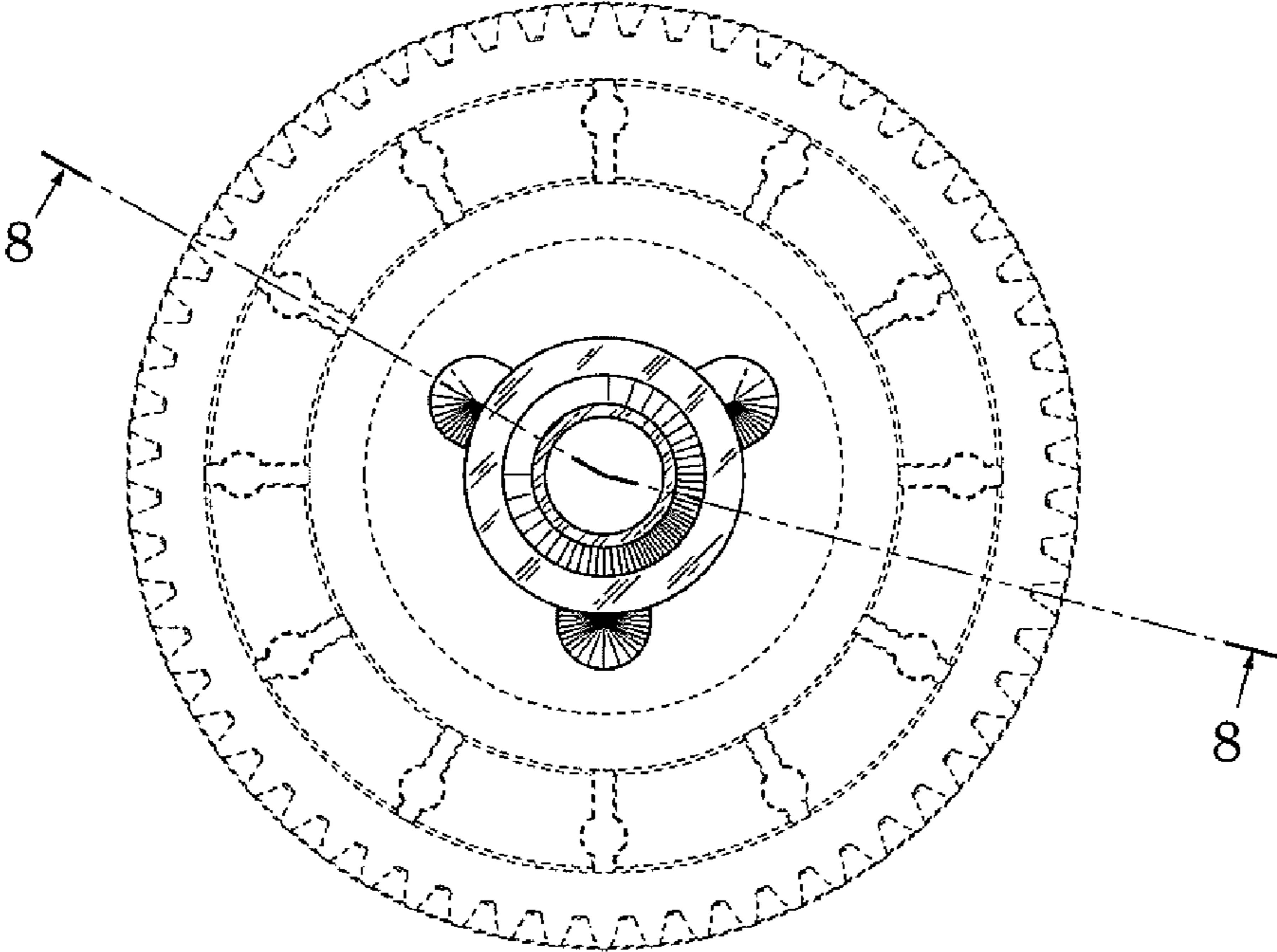


Fig.8

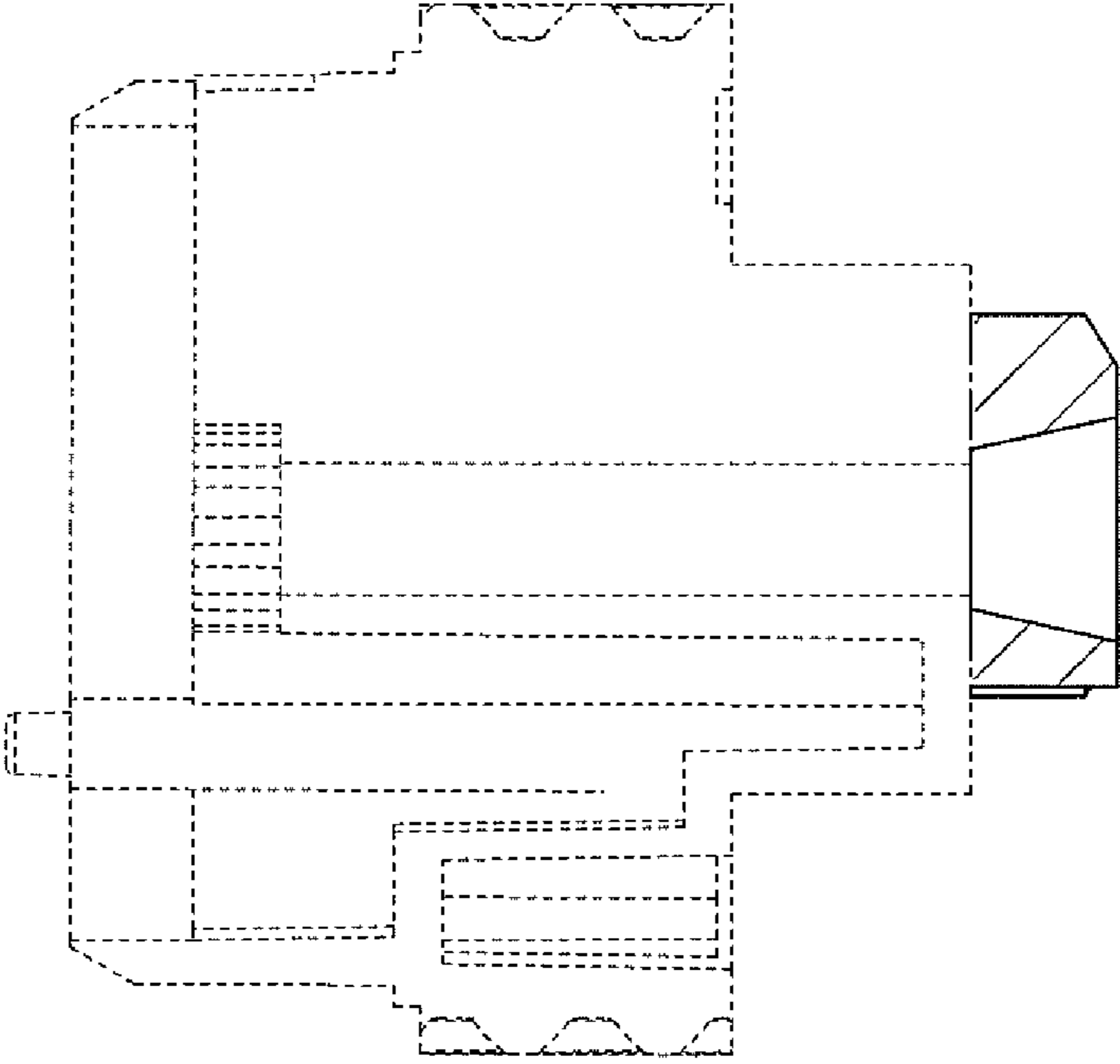


Fig.9

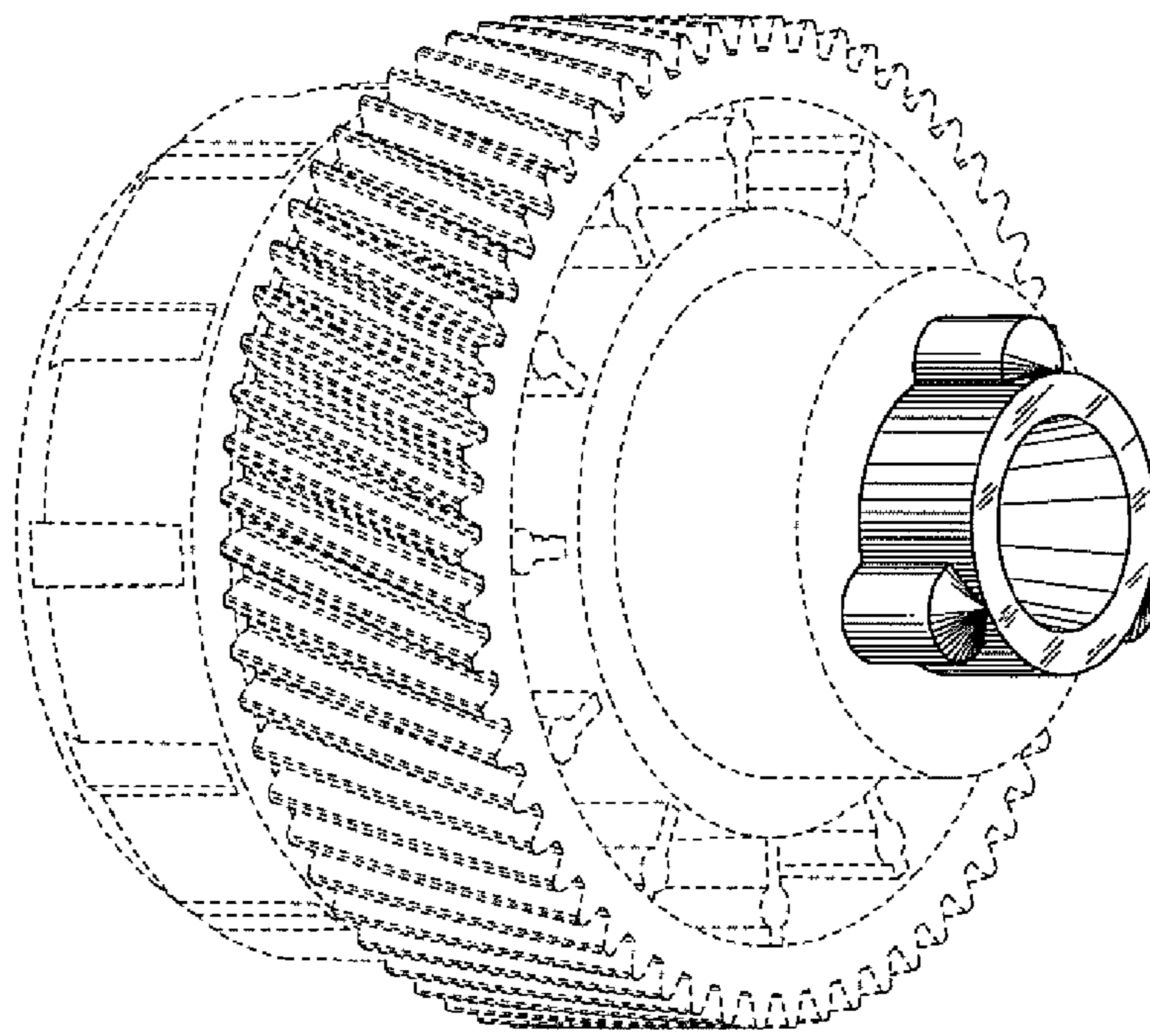


Fig. 10

