



US00D683391S

(12) **United States Design Patent**
Takahashi et al.

(10) **Patent No.:** **US D683,391 S**

(45) **Date of Patent:** **** May 28, 2013**

(54) **POWDER CONTAINER**

(75) Inventors: **Masaki Takahashi**, Kawasaki (JP);
Kunihiro Ohyama, Zama (JP)

(73) Assignee: **Ricoh Company, Ltd.**, Tokyo (JP)

(**) Term: **14 Years**

(21) Appl. No.: **29/404,270**

(22) Filed: **Oct. 18, 2011**

(51) **LOC (9) Cl.** **16-03**

(52) **U.S. Cl.**
USPC **D18/43**

(58) **Field of Classification Search** ... D14/471; D18/12,
D18/36, 40, 43, 44, 56; 222/DIG. 1; 347/197,
347/222; 399/24-28, 107-112, 119, 121,
399/122, 222-224

See application file for complete search history.

(56) **References Cited**

U.S. PATENT DOCUMENTS

D602,519 S *	10/2009	Kurenuma et al.	D18/43
D636,436 S *	4/2011	Takami	D18/43
D636,813 S *	4/2011	Kikuchi et al.	D18/43
D650,414 S *	12/2011	Takami	D18/43
D653,702 S *	2/2012	Amberg et al.	D18/43
D655,748 S *	3/2012	Takami	D18/43
D667,048 S *	9/2012	Oshikawa	D18/43

FOREIGN PATENT DOCUMENTS

JP	2010-121808	4/2011
JP	2010-121919	4/2011
JP	2010-121974	4/2011

OTHER PUBLICATIONS

U.S. Appl. No. 29/357,016, filed Mar. 5, 2010, Nobuo Takami.
U.S. Appl. No. 29/357,017, filed Mar. 5, 2010, Kenji Kikuchi.
U.S. Appl. No. 29/375,104, filed Sep. 17, 2010, Nobuo Takami.

* cited by examiner

Primary Examiner — Garth Rademaker

(74) *Attorney, Agent, or Firm* — Oblon, Spivak,
McClelland, Maier & Neustadt, L.L.P.

(57) **CLAIM**

The ornamental design for a powder container, as shown and described.

DESCRIPTION

FIG. 1 is a front elevational view of a powder container;
FIG. 2 is a rear elevational view thereof;
FIG. 3 is a left side elevational view thereof;
FIG. 4 is a right side elevational view thereof;
FIG. 5 is a top plan view thereof;
FIG. 6 is a bottom plan view thereof;
FIG. 7 is a front, top, and left side perspective view thereof;
FIG. 8 is a front, top, and right side perspective view thereof,
shown at an enlarged scale;
FIG. 9 is a left side elevational view thereof, shown at an
enlarged scale; and,
FIG. 10 is a right side elevational view thereof, shown at an
enlarged scale.

The broken lines in the drawings depict environmental sub-
ject matter only and form no part of the claimed design.

1 Claim, 7 Drawing Sheets

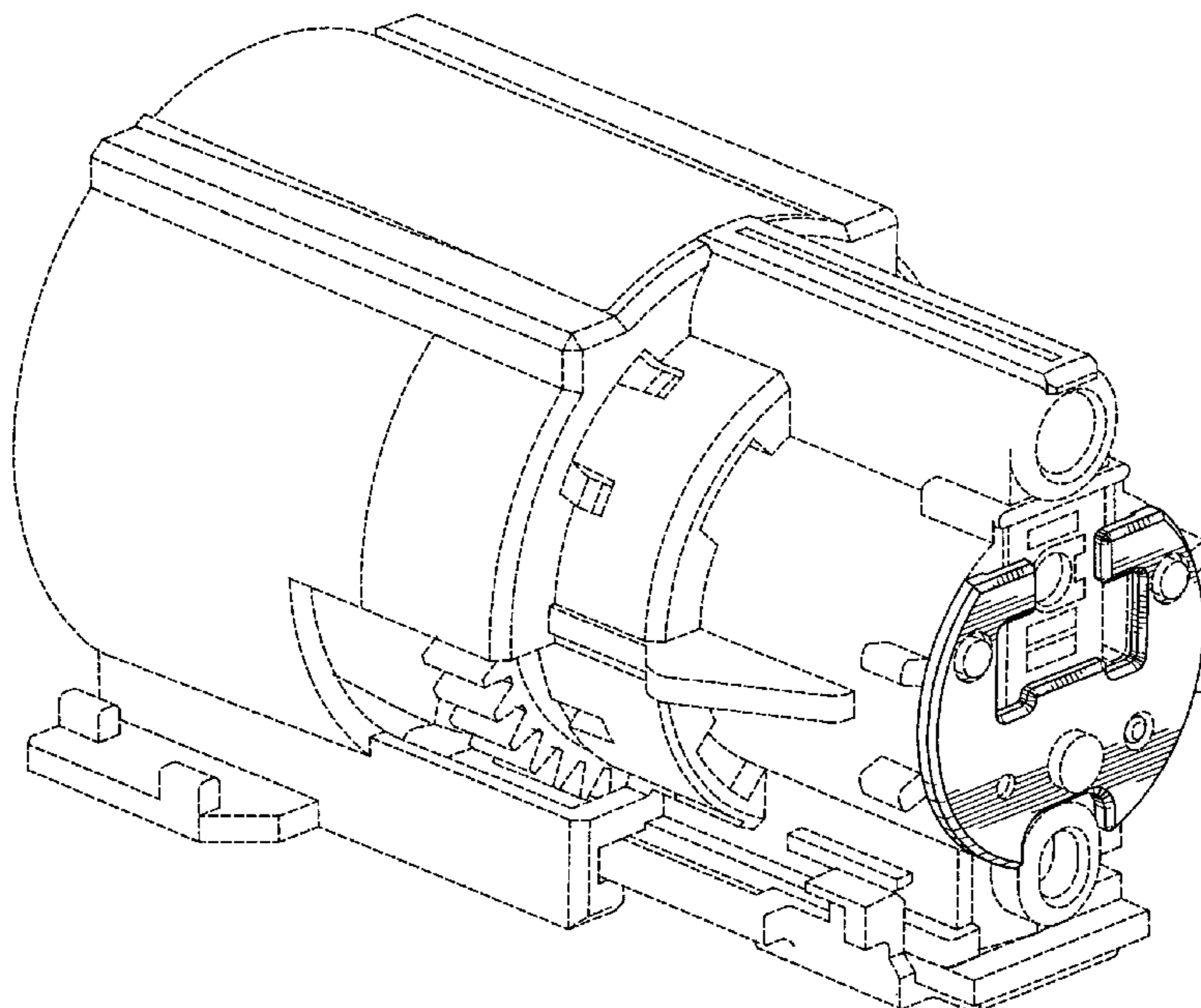


FIG. 1

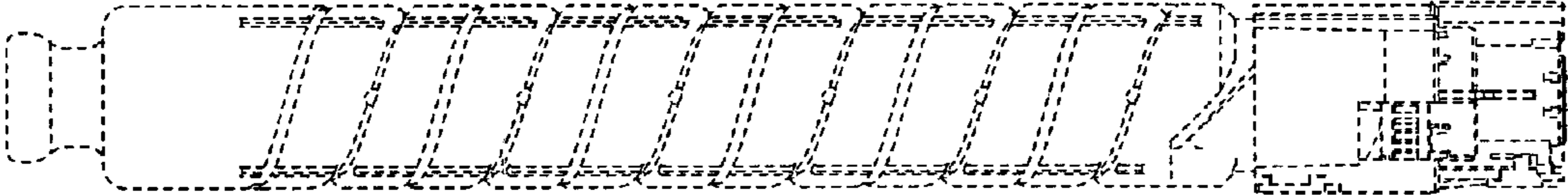


FIG. 2

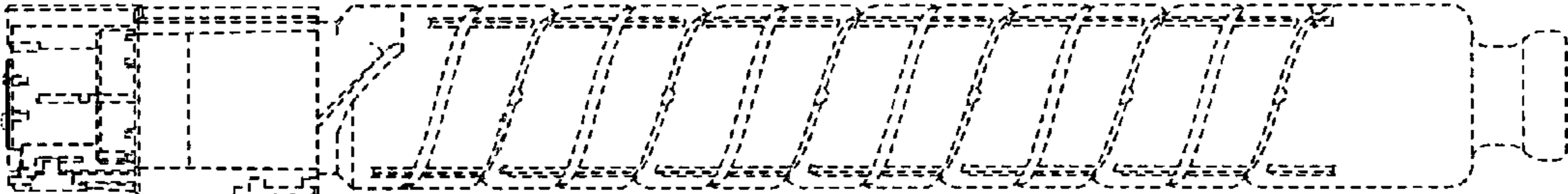


FIG. 3

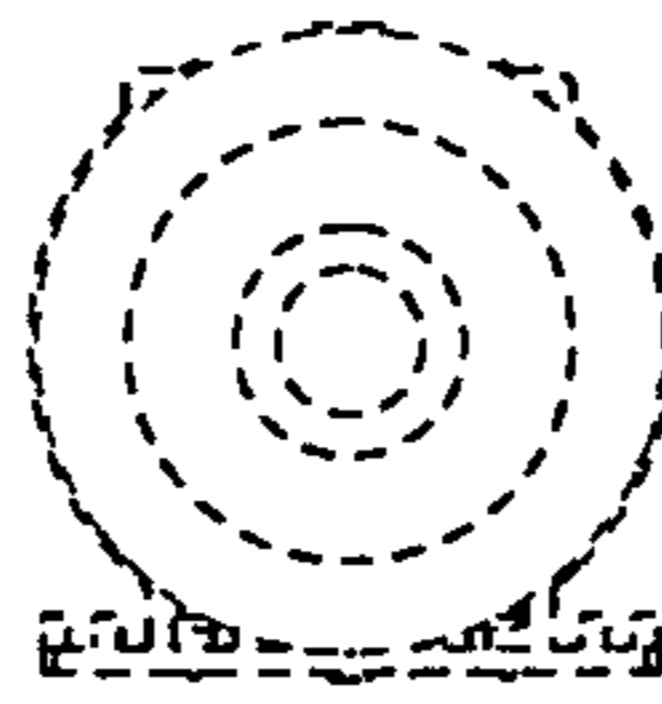


FIG. 4

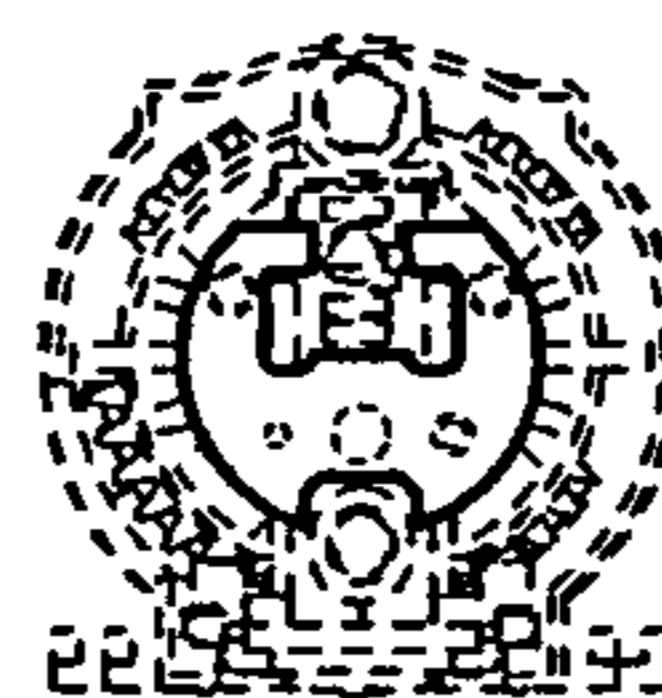


FIG. 5

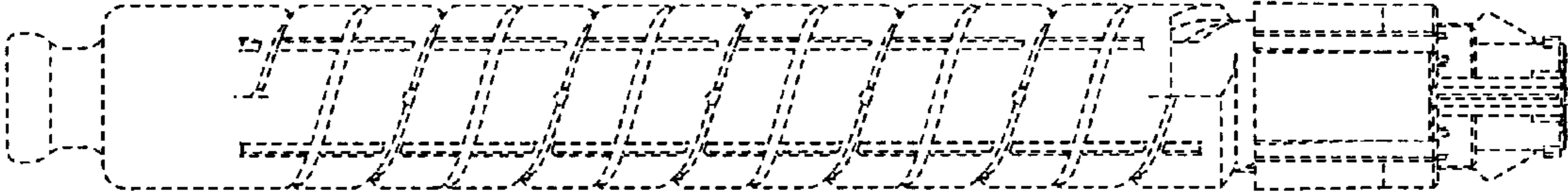


FIG. 6

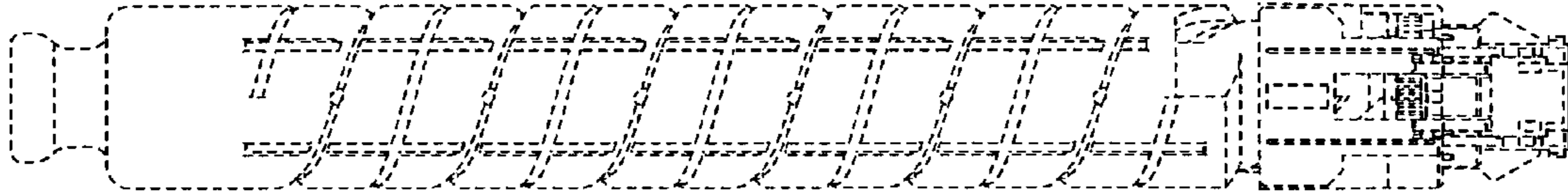
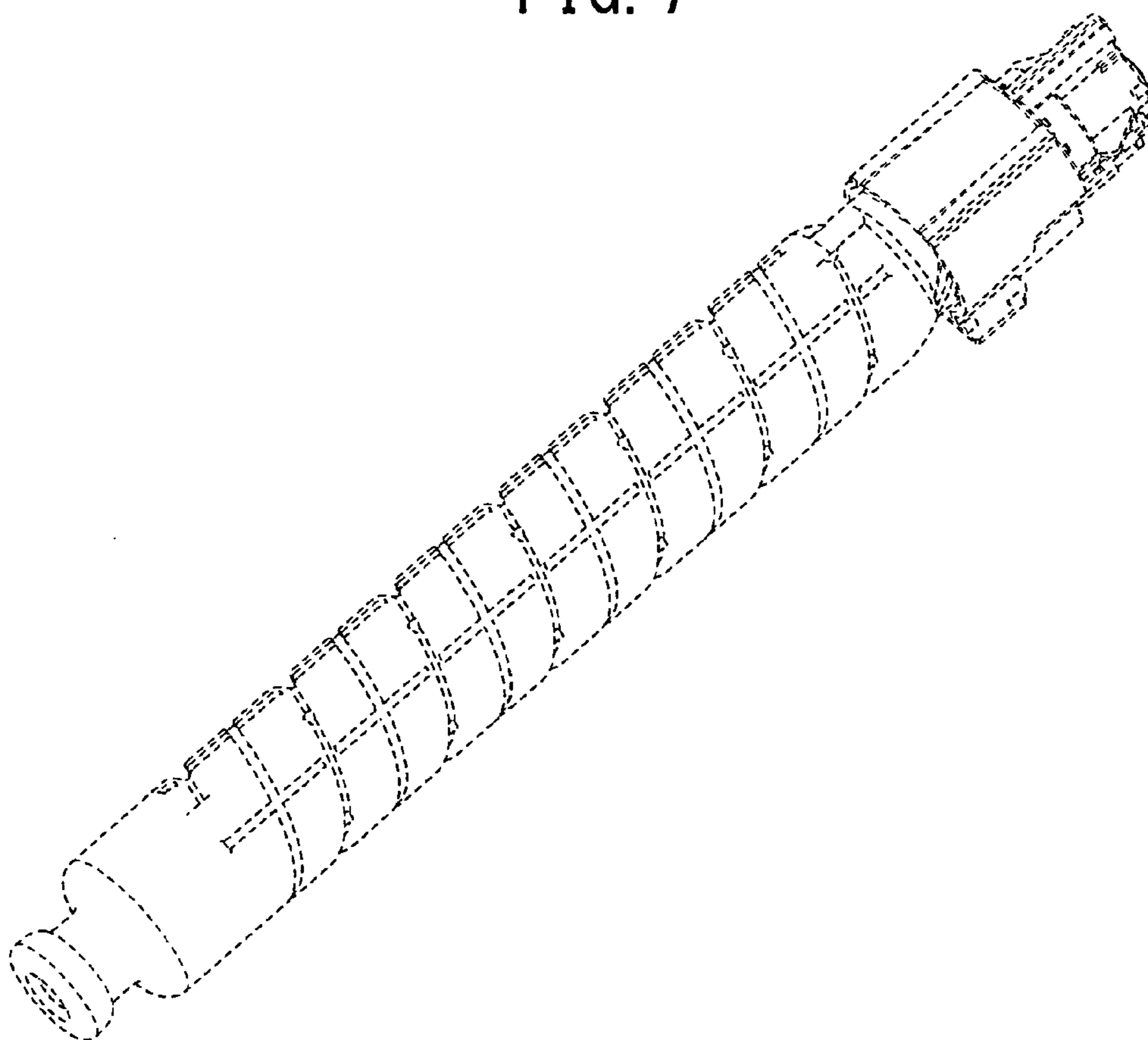


FIG. 7



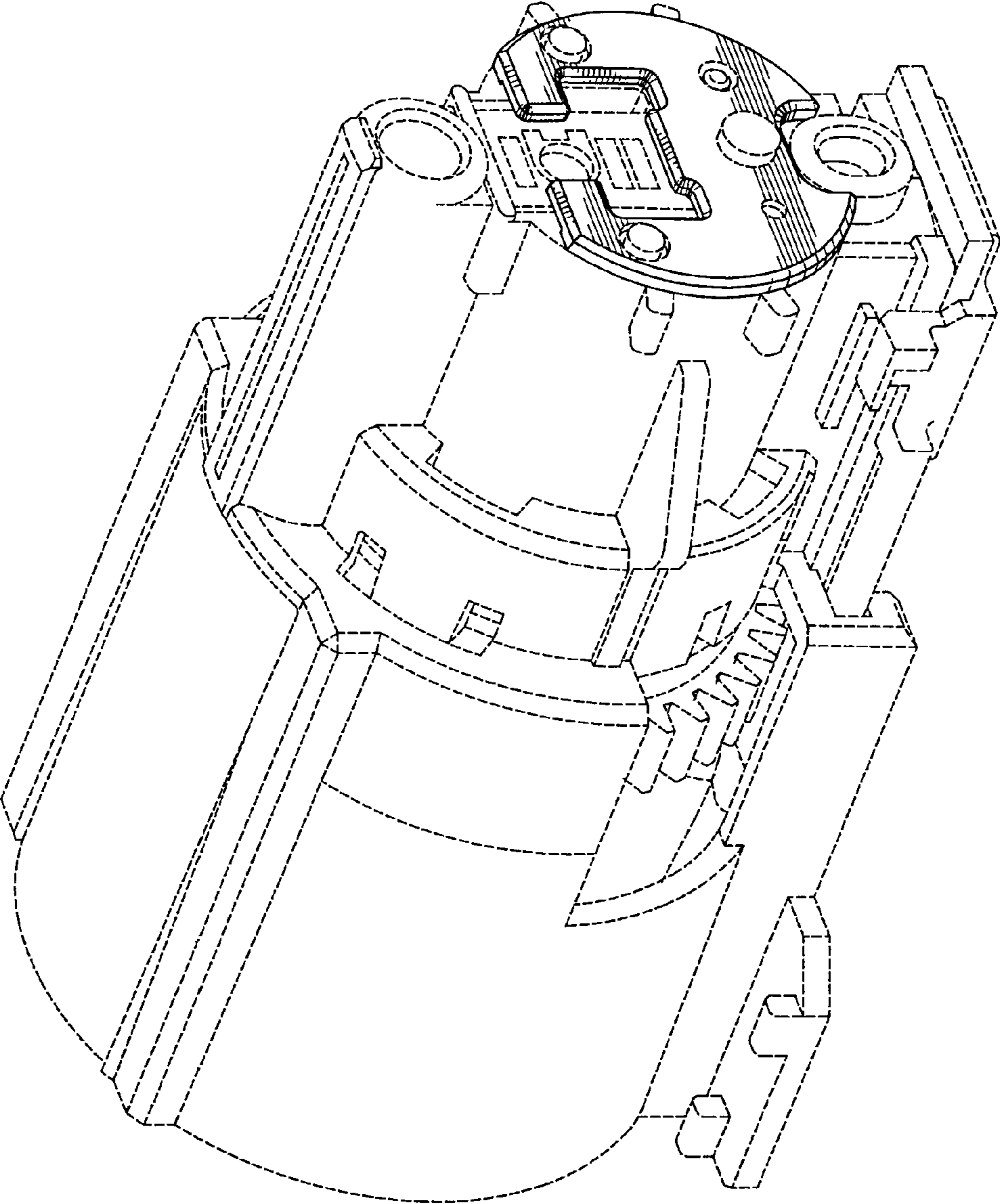


Fig. 8

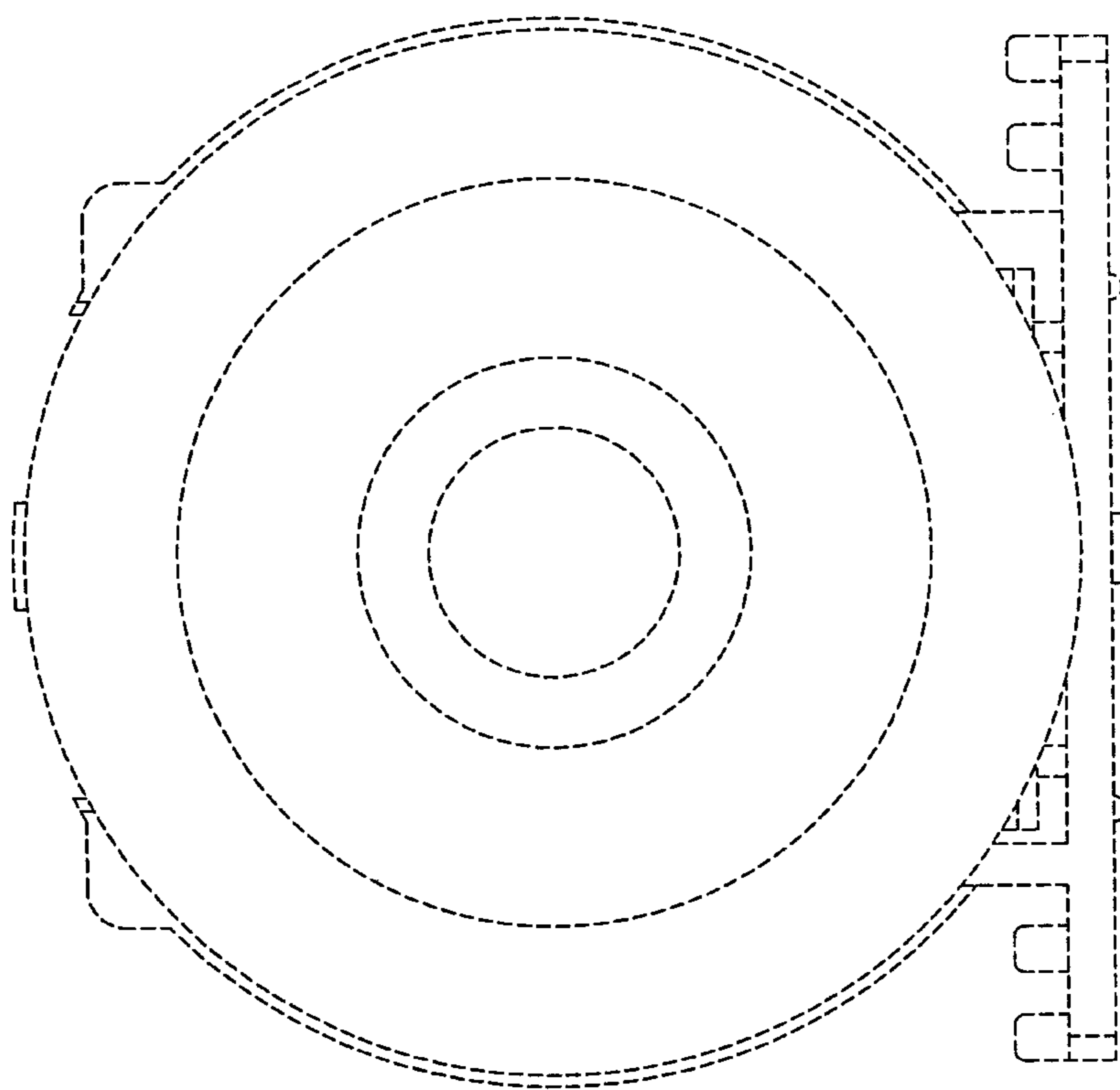


Fig. 9

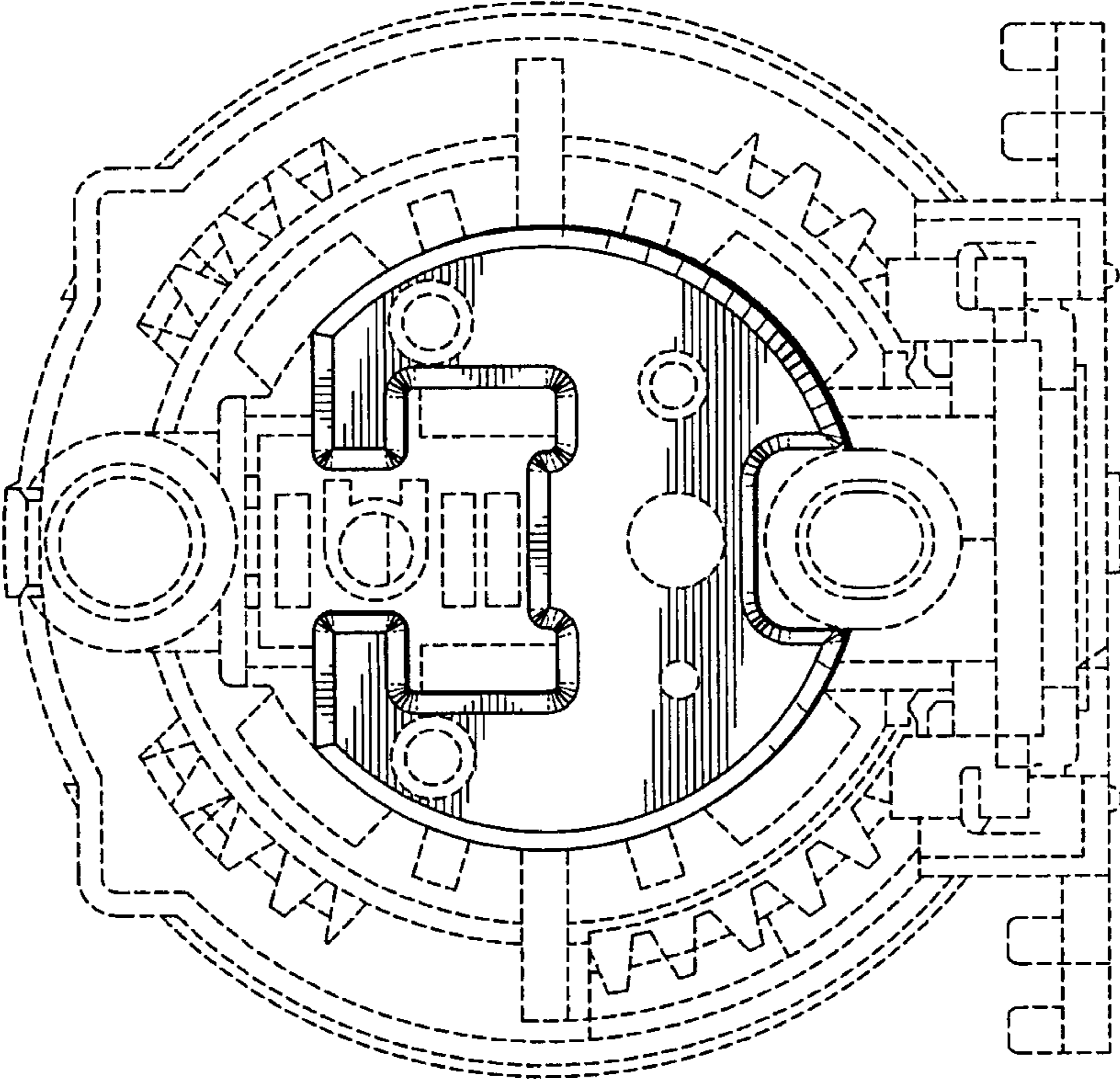


Fig. 10