



US00D683390S

(12) **United States Design Patent**
Sallard

(10) **Patent No.:** **US D683,390 S**

(45) **Date of Patent:** **** May 28, 2013**

(54) **ARMS OF SPECTACLE FRAMES**

(75) Inventor: **Emmanuelle Sallard**, Paris (FR)

(73) Assignee: **Cartier Creation Studio SA**, Geneve (CH)

(**) Term: **14 Years**

(21) Appl. No.: **29/429,596**

(22) Filed: **Aug. 14, 2012**

(30) **Foreign Application Priority Data**

Feb. 16, 2012 (WO) DM/077 796

(51) **LOC (9) Cl.** **16-06**

(52) **U.S. Cl.**
USPC **D16/335**; D16/323

(58) **Field of Classification Search** D16/101,
D16/300-342, 900; D29/109-110; D24/110.2;
351/41, 44, 51-52, 62, 158, 92, 103-123,
351/140, 153, 45-46; 2/426-432, 447-449,
2/441, 434-437, 13, 15; D21/483, 659-661; D14/372
See application file for complete search history.

(56) **References Cited**

U.S. PATENT DOCUMENTS

D139,613 S *	12/1944	Norton	D16/323
D144,289 S *	4/1946	Colwell	D16/323
D172,671 S *	7/1954	Kono	D16/324
D217,394 S *	4/1970	Huggins	D16/334
D252,517 S *	7/1979	Canavan, III	D16/323
D280,731 S *	9/1985	Haas	D16/324
D284,478 S *	7/1986	Haas	D16/323

D285,210 S *	8/1986	Marchi et al.	D16/323
D308,065 S *	5/1990	Haas	D16/324
D352,725 S *	11/1994	Charriol	D16/320
6,641,262 B1 *	11/2003	Cheng	351/51
D596,662 S *	7/2009	Gonzalez	D16/341
D671,980 S *	12/2012	Sallard	D16/323

* cited by examiner

Primary Examiner — Raphael Barkai

(74) *Attorney, Agent, or Firm* — Krieg DeVault LLP;
Clifford W. Browning

(57) **CLAIM**

The ornamental design for arms of spectacle frames, as shown and described.

DESCRIPTION

FIG. 1 is a front view of the arms of spectacle frames of the present invention.

FIG. 2 is a rear view of the arms of spectacle frames of FIG. 1.

FIG. 3 is a right side view of the arms of spectacle frames of FIG. 1.

FIG. 4 is a left side view of the arms of spectacle frames of FIG. 1.

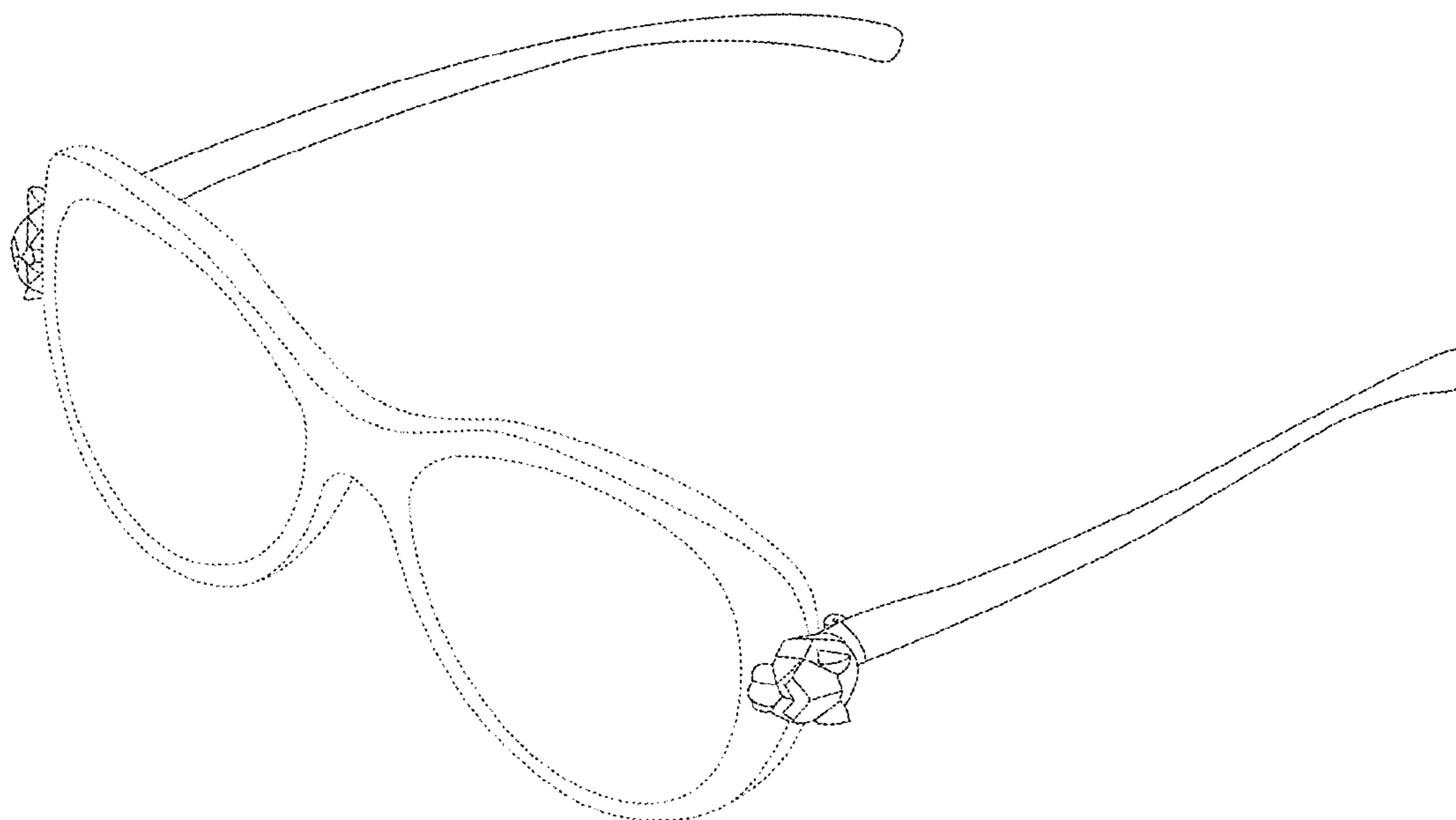
FIG. 5 is a top right-side perspective view of the arms of spectacle frames of FIG. 1.

FIG. 6 is a top view of the arms of spectacle frames of FIG. 1; and,

FIG. 7 is a bottom view of the arms of spectacle frames of FIG. 1.

The broken lines shown in FIGS. 1-7 are for illustrative purposes only and form no part of the claimed design.

1 Claim, 2 Drawing Sheets



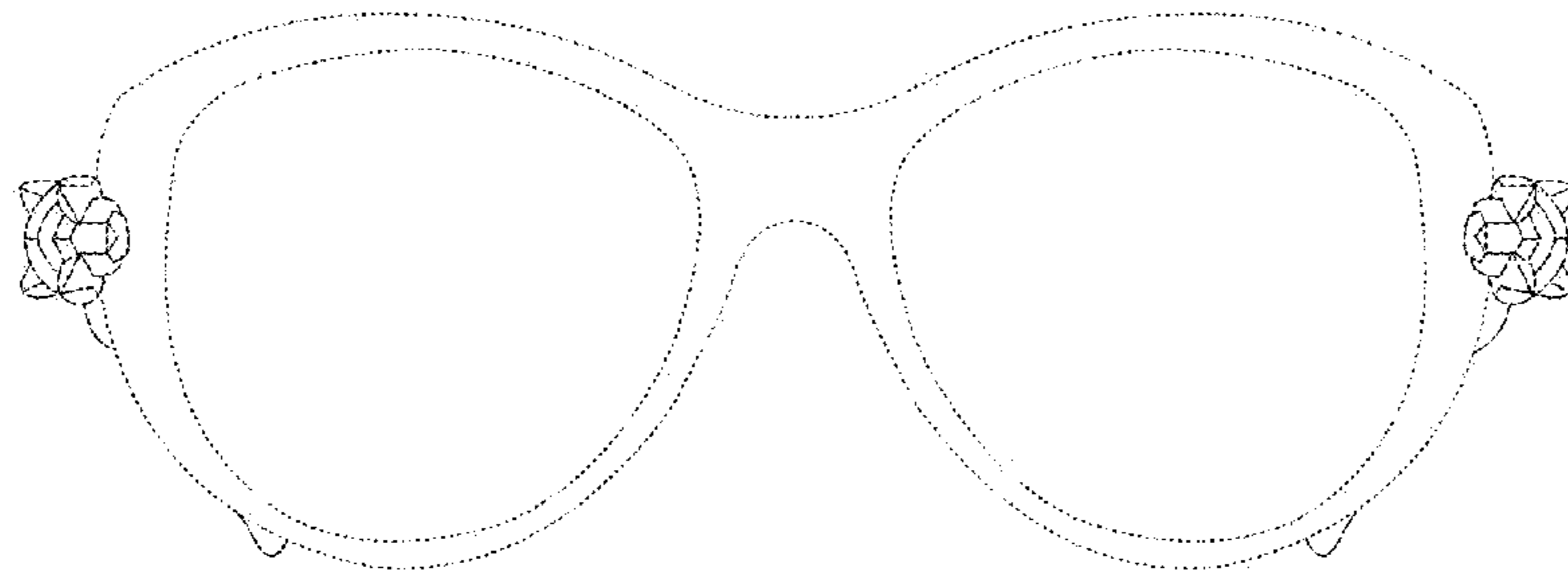


FIG. 1

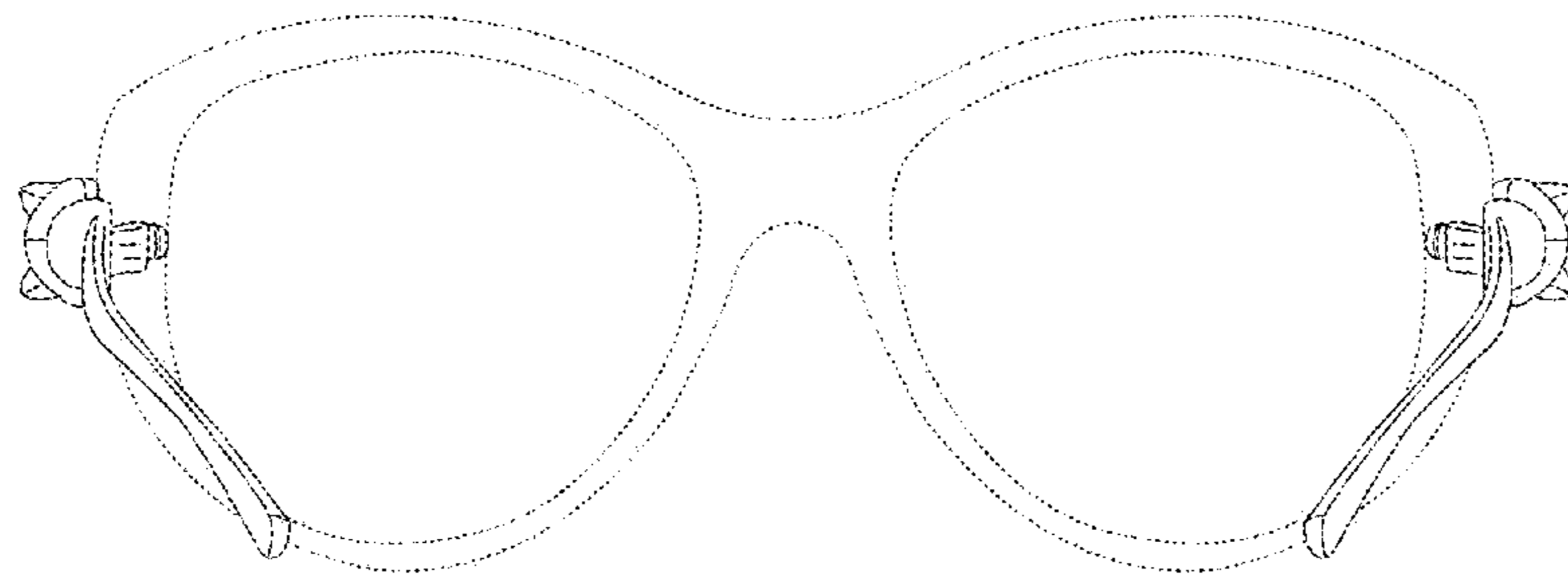


FIG. 2

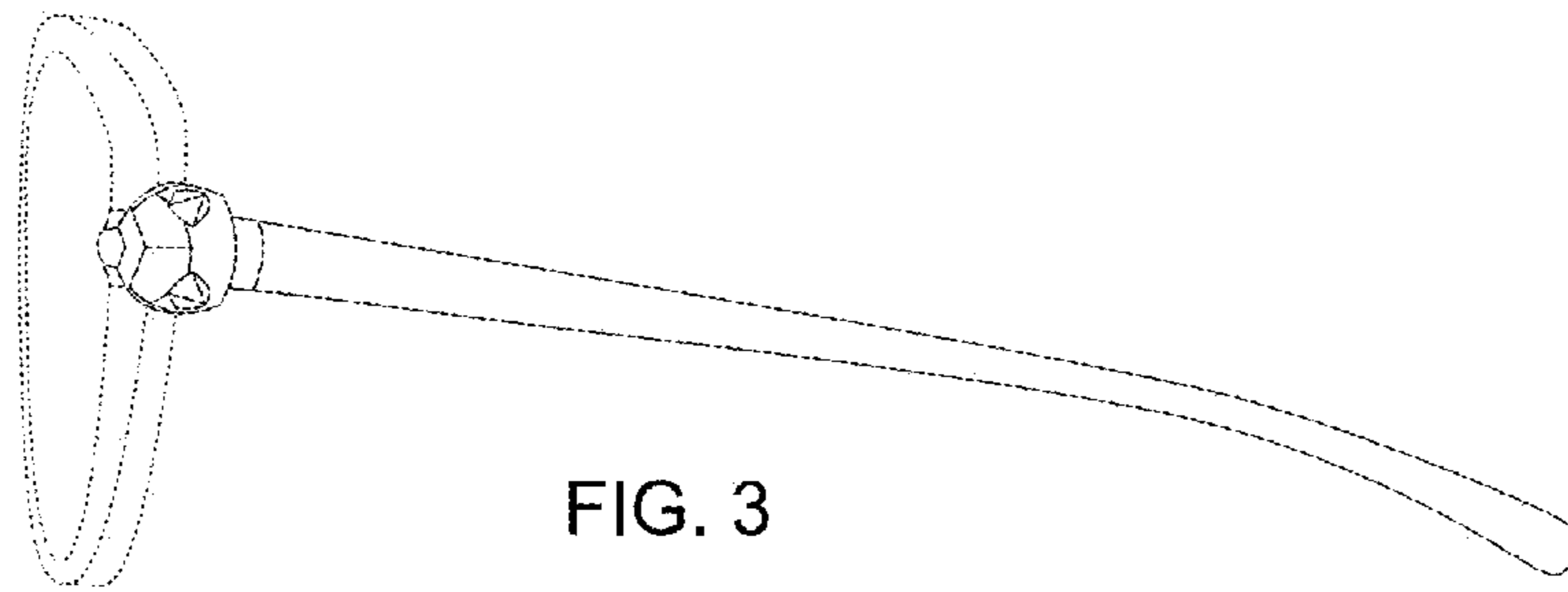


FIG. 3



FIG. 4

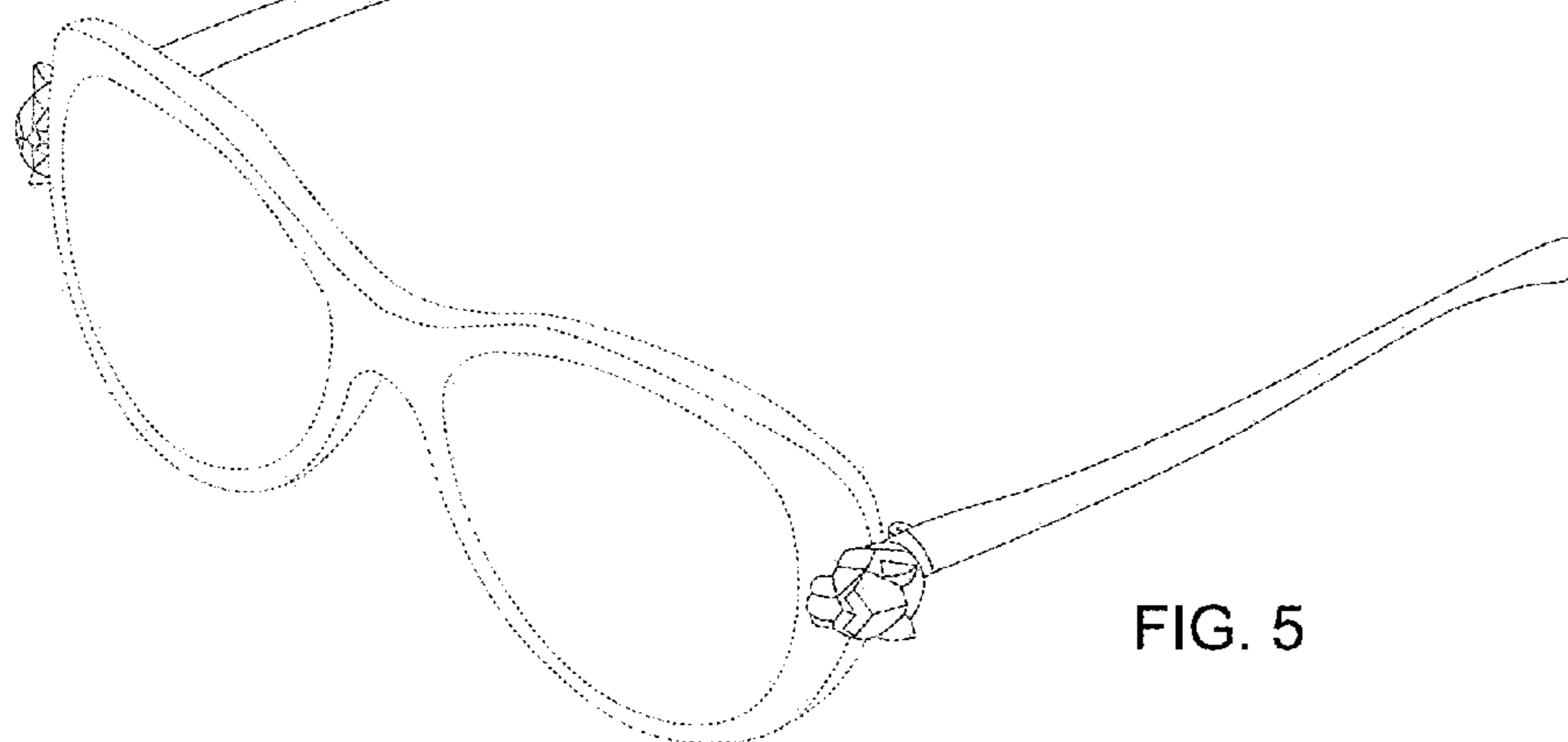


FIG. 5

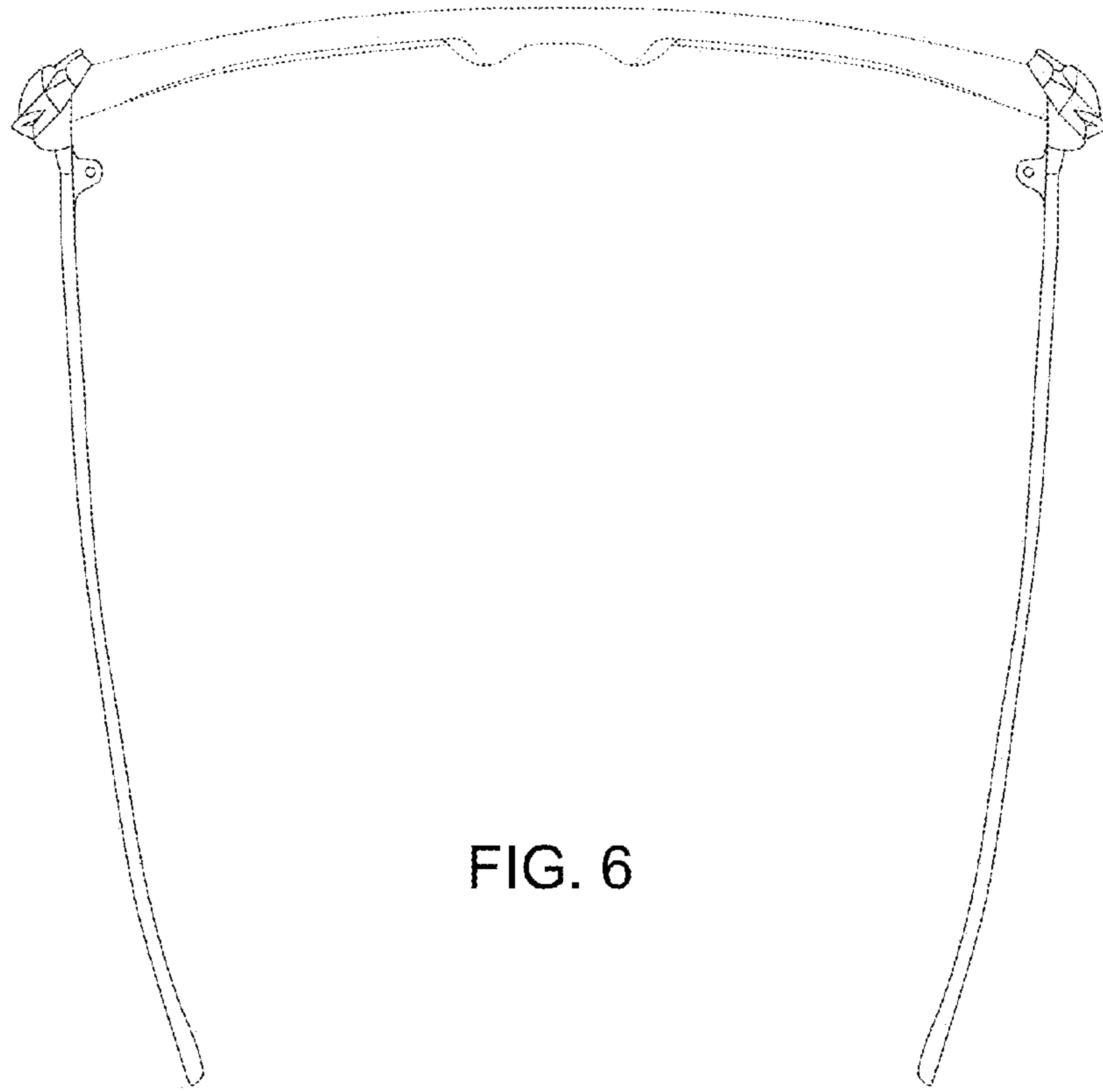


FIG. 6

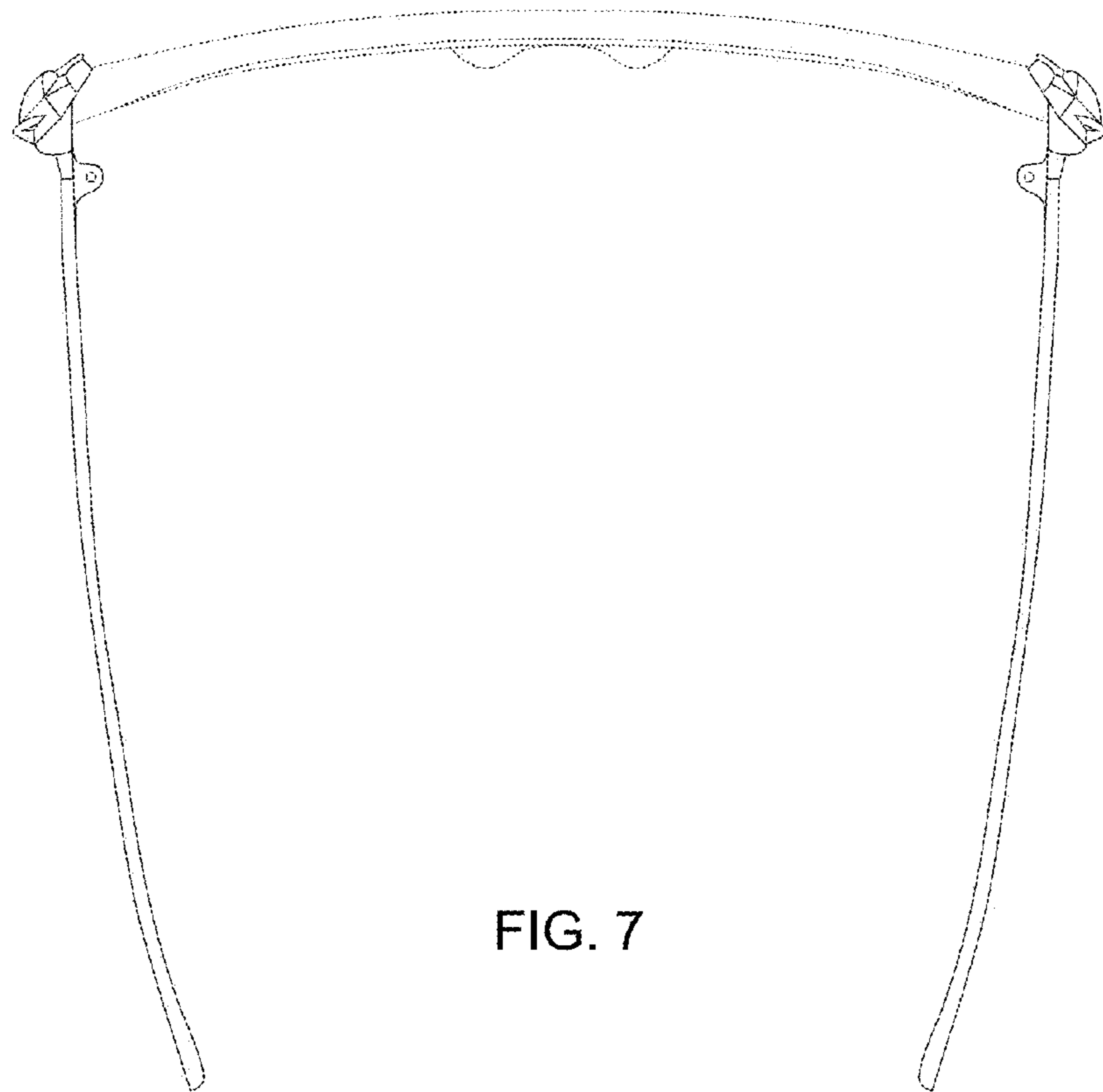


FIG. 7