



US00D683386S

(12) **United States Design Patent**  
**Smith**

(10) **Patent No.:** **US D683,386 S**

(45) **Date of Patent:** **\*\* May 28, 2013**

(54) **STRAPLESS SWIM GOGGLES**

(75) Inventor: **Donovan Smith**, St. Louis, MO (US)

(73) Assignee: **Zogg lez LLC**, St. Louis, MO (US)

(\*\*) Term: **14 Years**

(21) Appl. No.: **29/408,032**

(22) Filed: **Dec. 6, 2011**

(51) **LOC (9) Cl.** ..... **16-06**

(52) **U.S. Cl.**

USPC ..... **D16/311**; D16/303

(58) **Field of Classification Search**

USPC ..... D16/101, 300-342; D29/109-110;  
D24/110.2; 351/41, 44, 51-52, 62, 158, 92,  
351/103-123, 140, 153, 45-46; 2/426-432,  
2/447-449, 441, 434-437, 13, 15; D21/483,  
D21/659-661

See application file for complete search history.

(56) **References Cited**

**U.S. PATENT DOCUMENTS**

D264,142	S *	5/1982	Fireman	.....	D16/303
5,313,671	A *	5/1994	Flory	.....	2/428
5,596,771	A *	1/1997	Hsu et al.	.....	2/428
D393,273	S *	4/1998	Hall et al.	.....	D16/303
D394,275	S *	5/1998	Hall et al.	.....	D16/303
6,079,054	A *	6/2000	Chou	.....	2/428
D438,885	S *	3/2001	Haslbeck	.....	D16/303
D566,745	S *	4/2008	Urabe	.....	D16/311
D574,033	S *	7/2008	Isaac	.....	D16/311
7,475,435	B2 *	1/2009	Van Atta et al.	.....	2/440
8,250,678	B2 *	8/2012	Sup	.....	2/440
2005/0193479	A1	9/2005	Atta et al.		

\* cited by examiner

*Primary Examiner* — Raphael Barkai

*Assistant Examiner* — Randall Gholson

(74) *Attorney, Agent, or Firm* — Thompson Coburn LLP

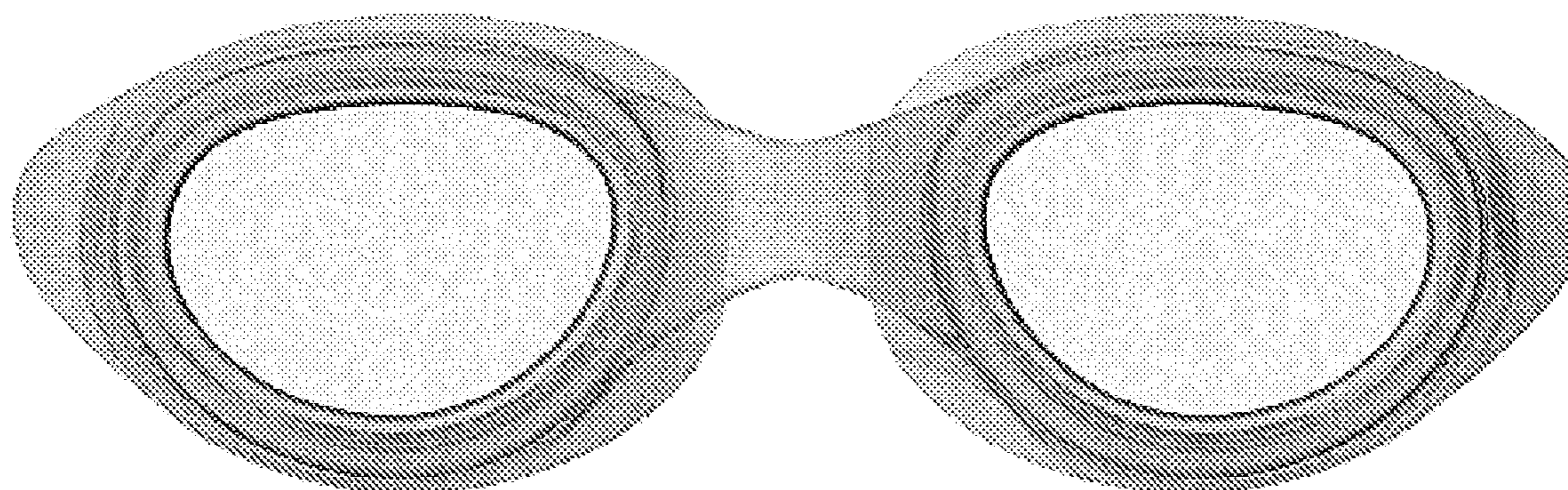
(57) **CLAIM**

The design for strapless swim goggles, as shown and described.

**DESCRIPTION**

FIG. 1 is a front view of the goggles showing the new design; FIG. 2 is a rear view of the goggles of FIG. 1; FIG. 3 is a right side view of the goggles of FIG. 1; FIG. 4 is a left side view of the goggles of FIG. 1; FIG. 5 is a bottom rear angle view of the goggles of FIG. 1; FIG. 6 is a bottom rear perspective view of the goggles of FIG. 1; FIG. 7 is a top rear perspective view of the goggles of FIG. 1; FIG. 8 is a bottom front perspective view of the goggles of FIG. 1; FIG. 9 is an alternate bottom rear perspective view of the goggles of FIG. 1; FIG. 10 is a top front perspective view of the goggles of FIG. 1; FIG. 11 is a top plan view of the goggles of FIG. 1; FIG. 12 is a bottom plan view of the goggles of FIG. 1; FIG. 13 is a bottom front angle view of the goggles of FIG. 1; FIG. 14 is a front side angle view of the goggles of FIG. 1; FIG. 15 is an enlarged partial rear side perspective view of the goggles of FIG. 1; and, FIG. 16 is an alternate bottom rear perspective view of the goggles of FIG. 1.

**1 Claim, 7 Drawing Sheets**



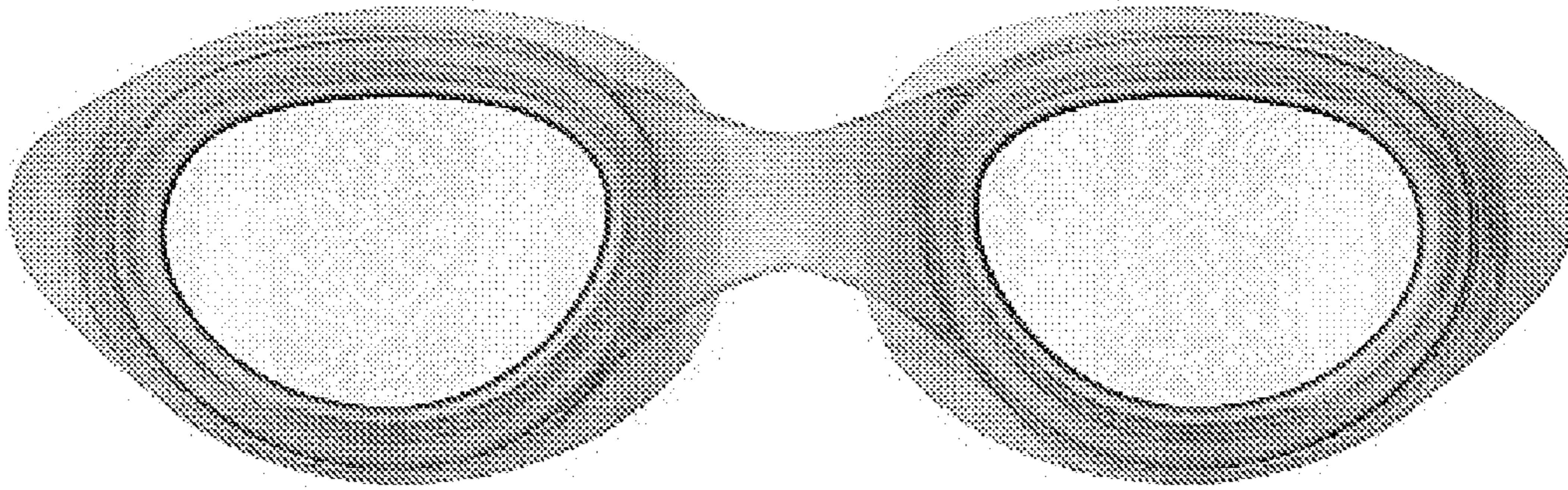


Fig. 1

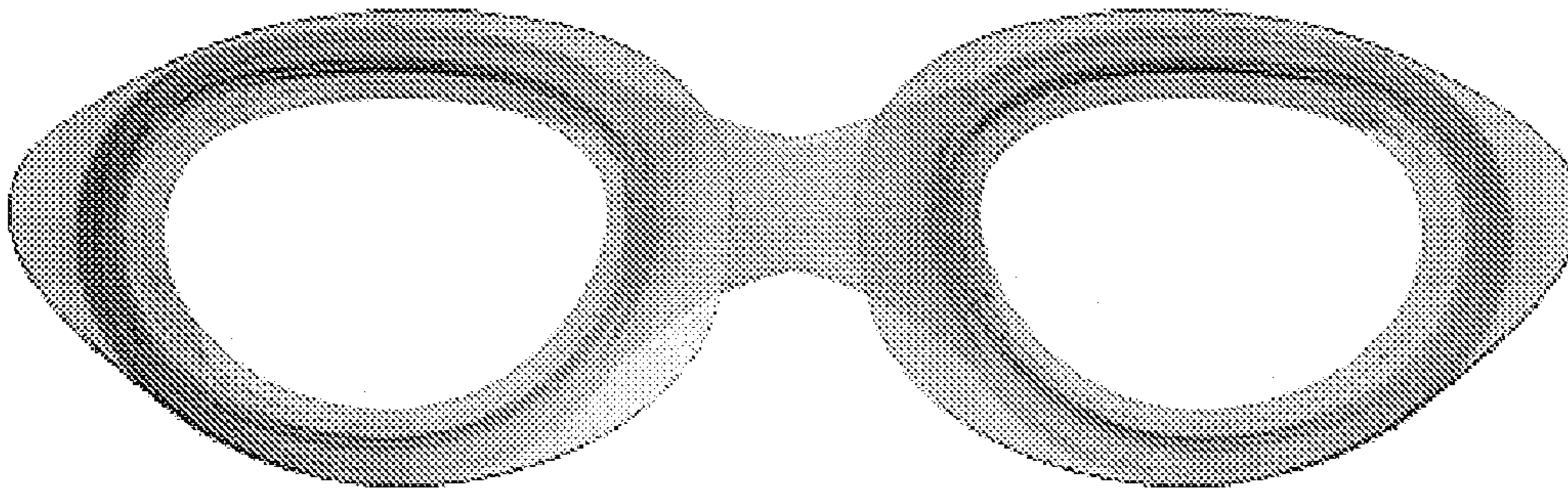


Fig. 2

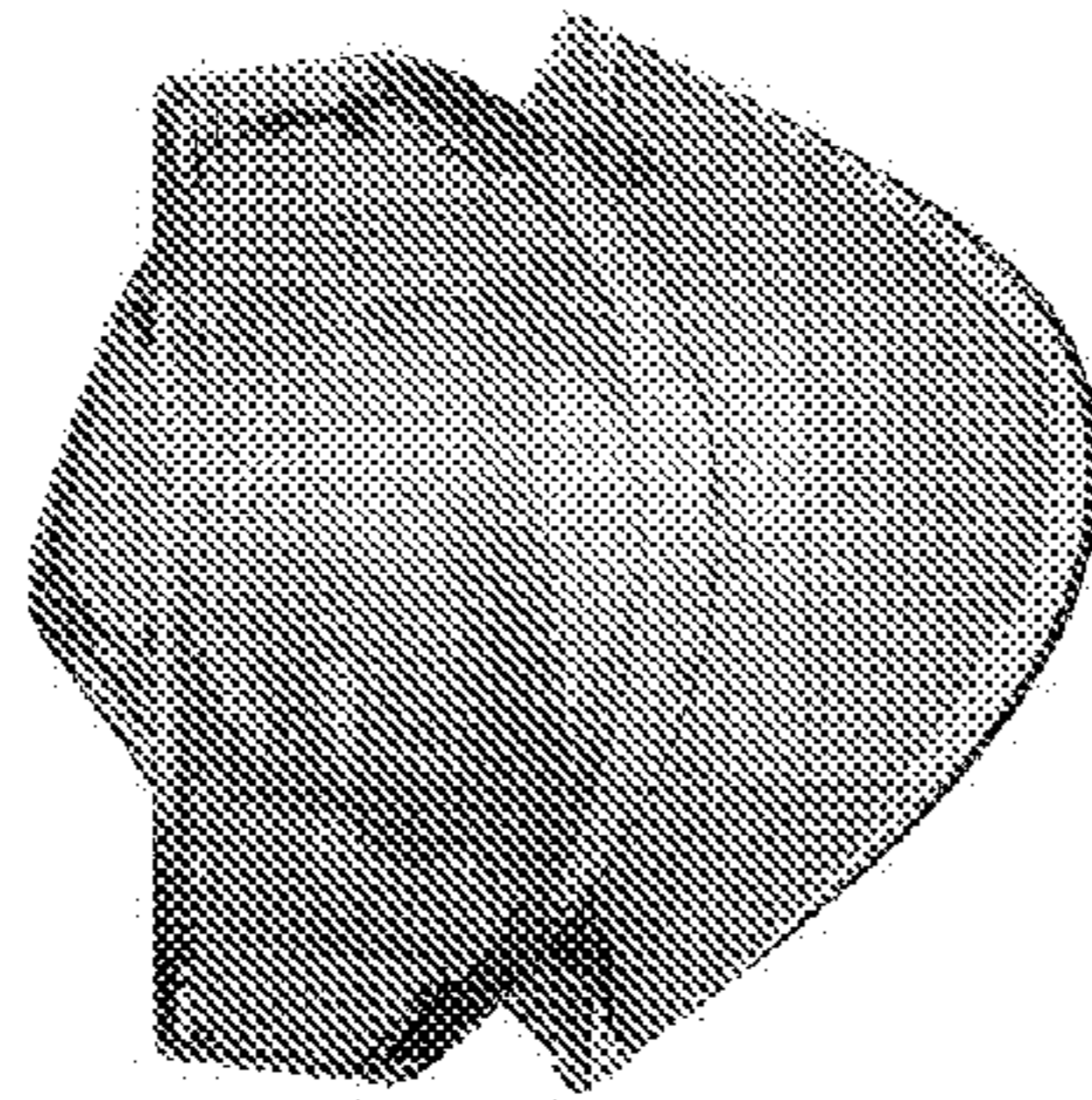


Fig. 3

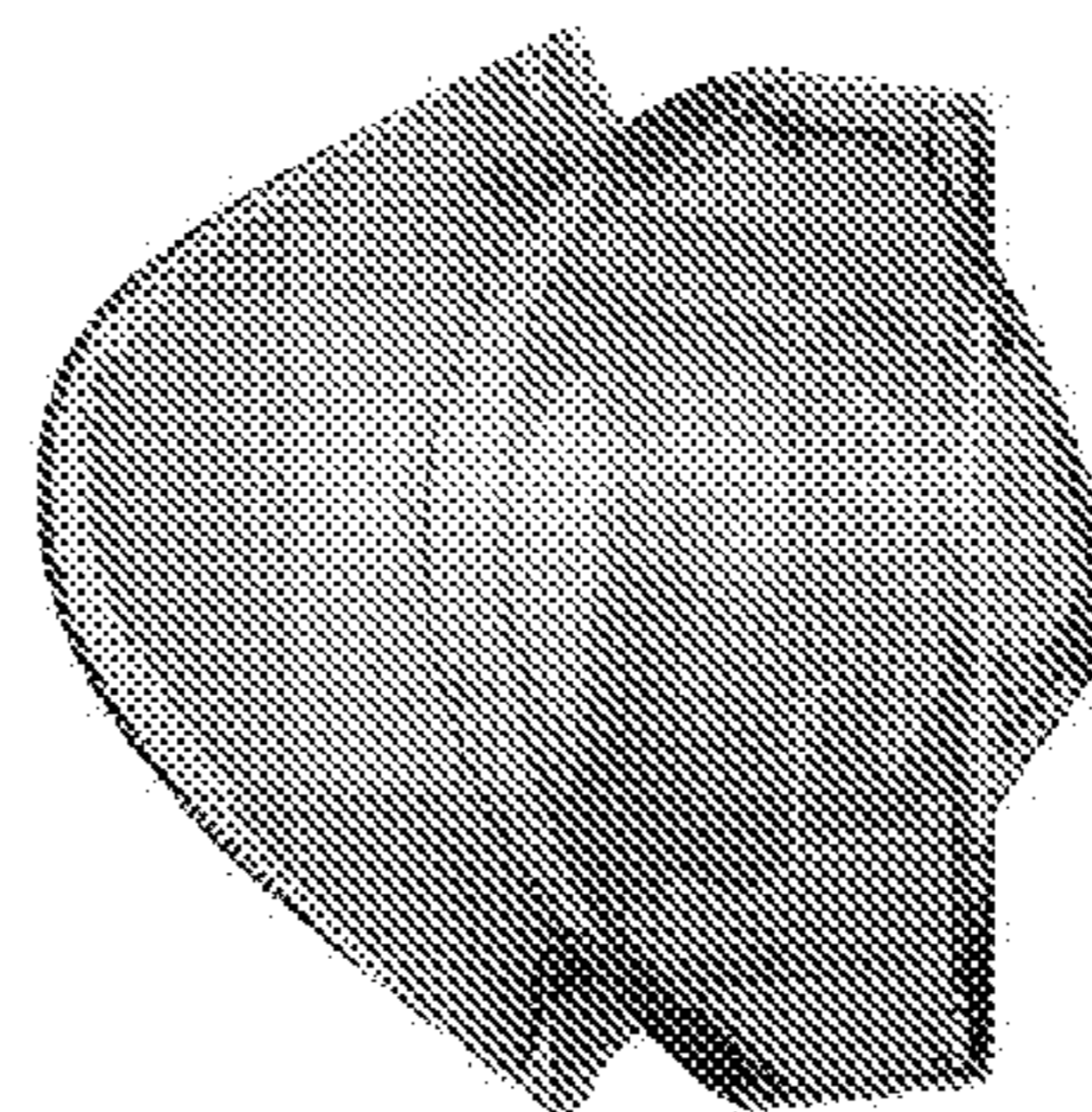


Fig. 4

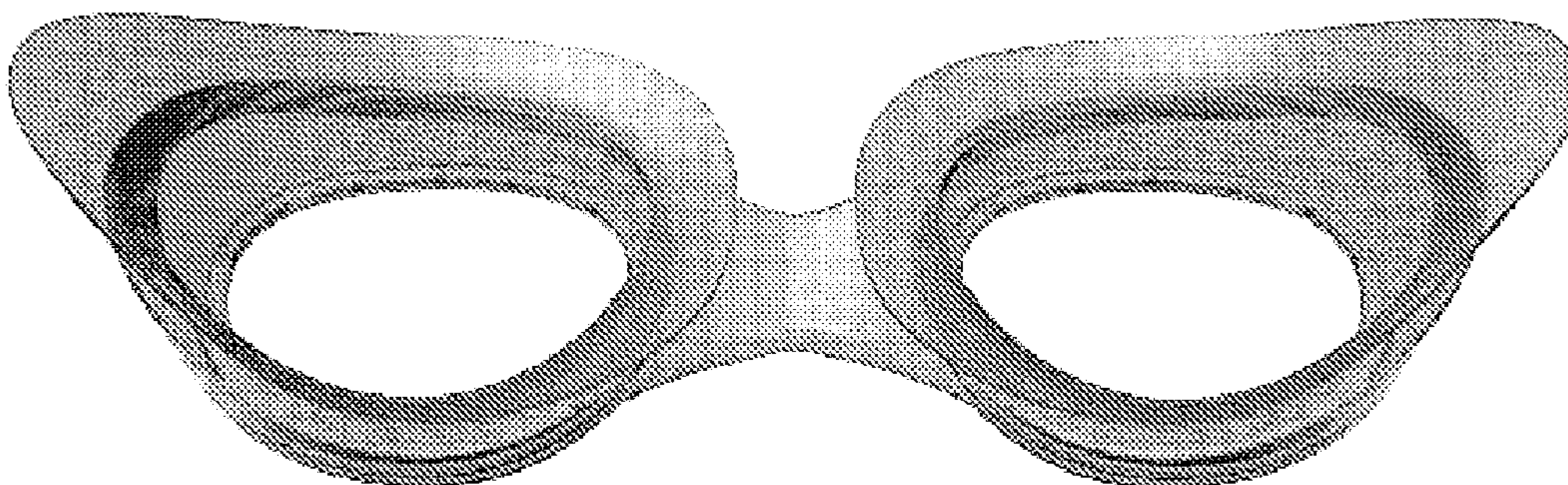


Fig. 5

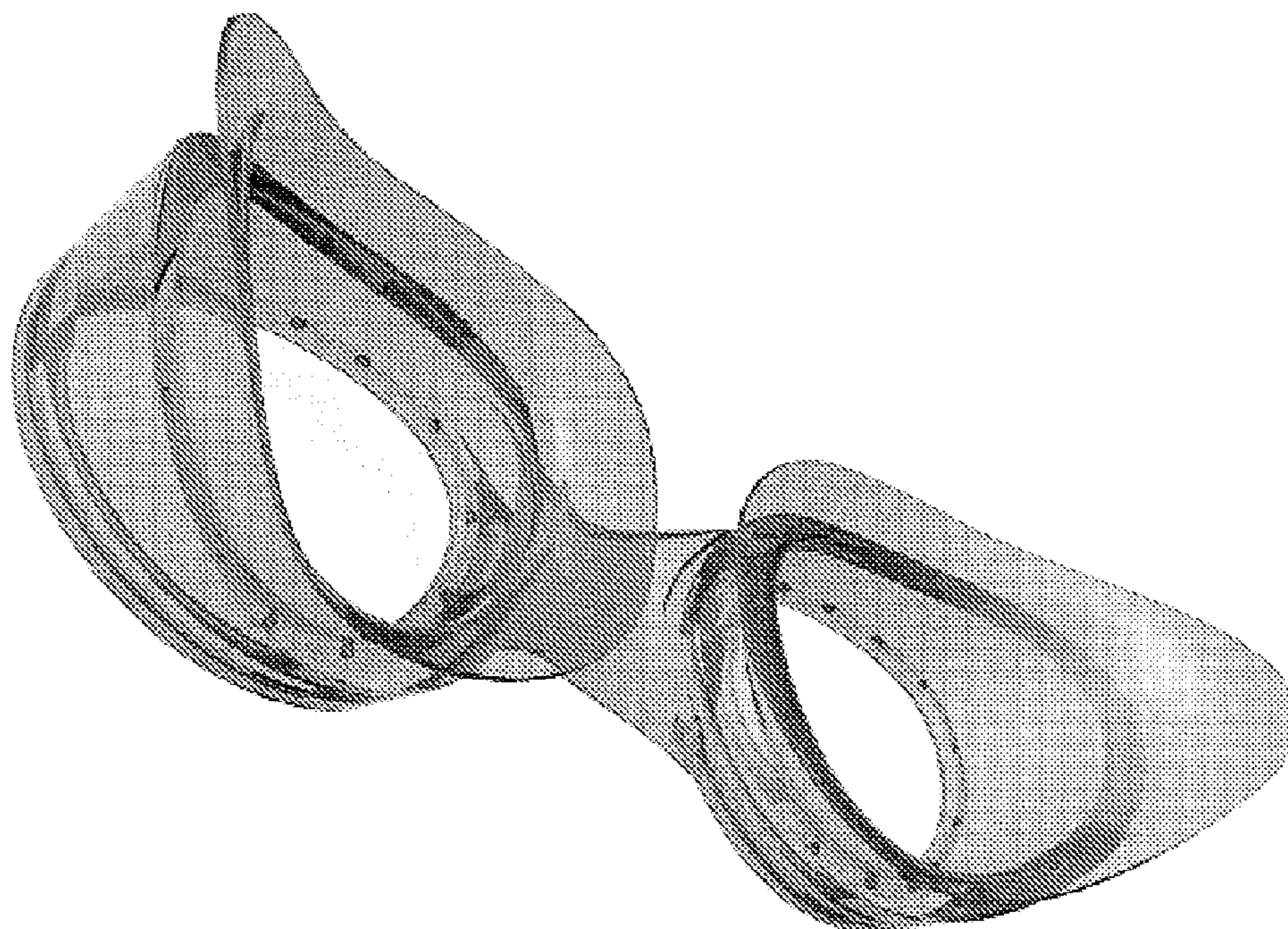


Fig. 6

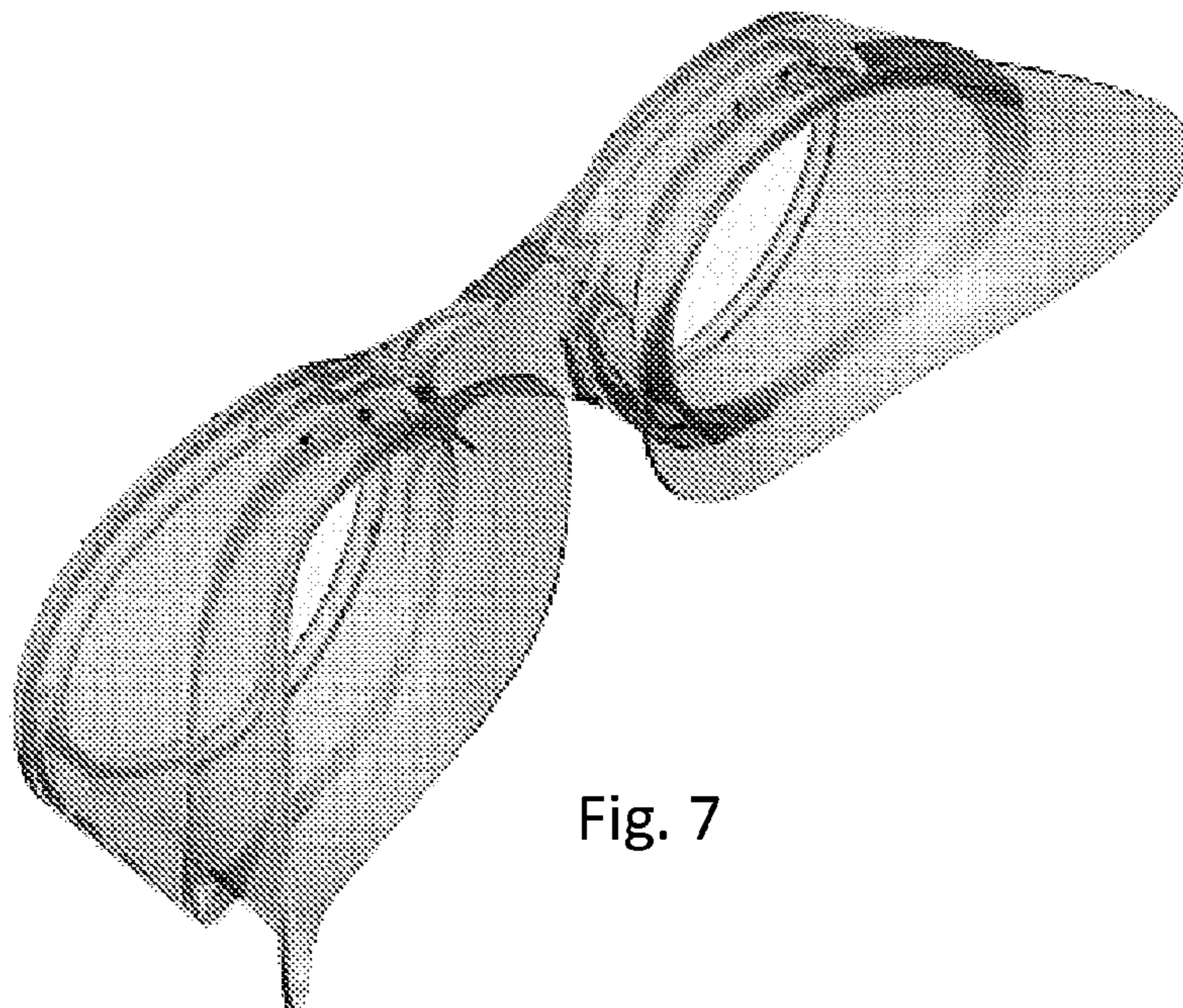


Fig. 7

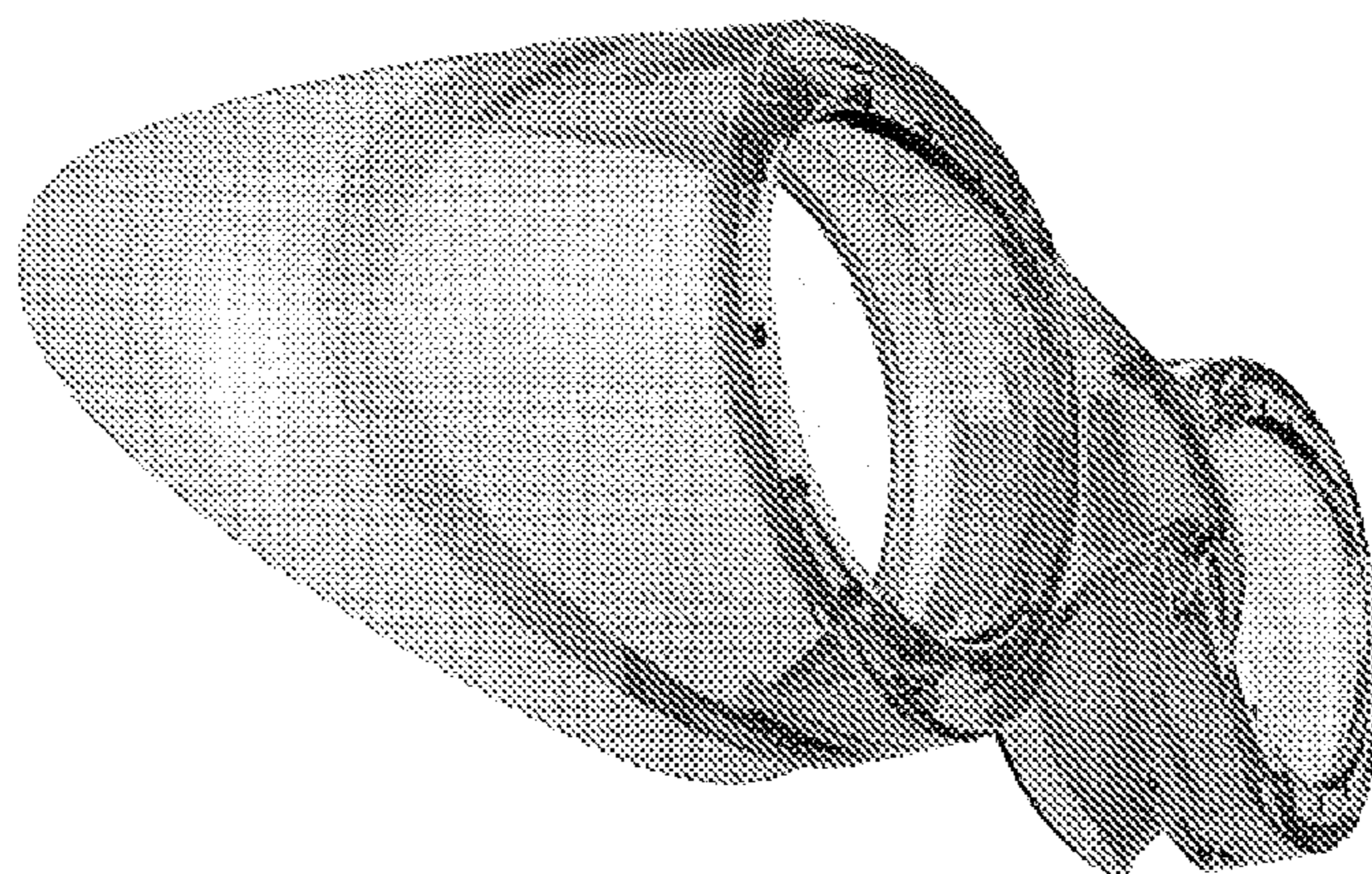


Fig. 8

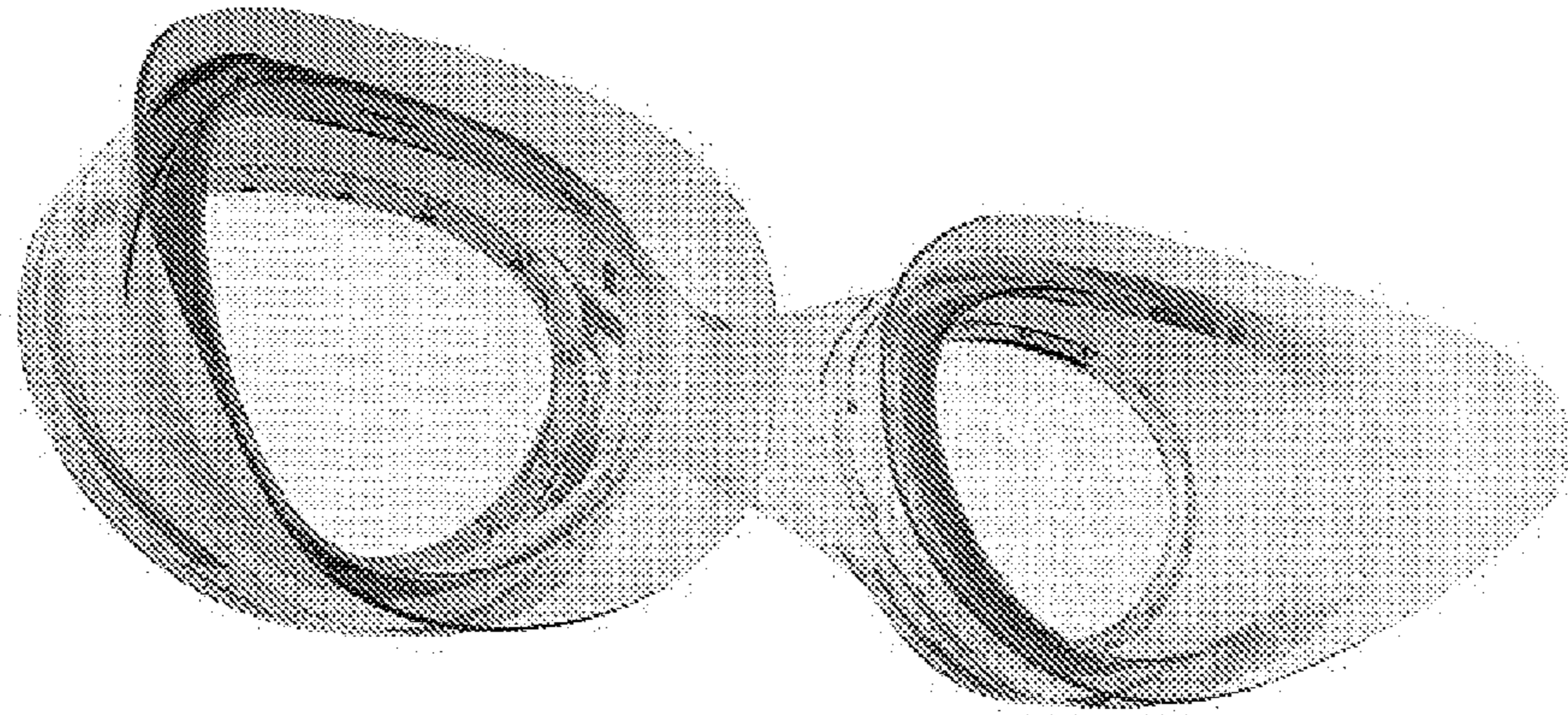


Fig. 9

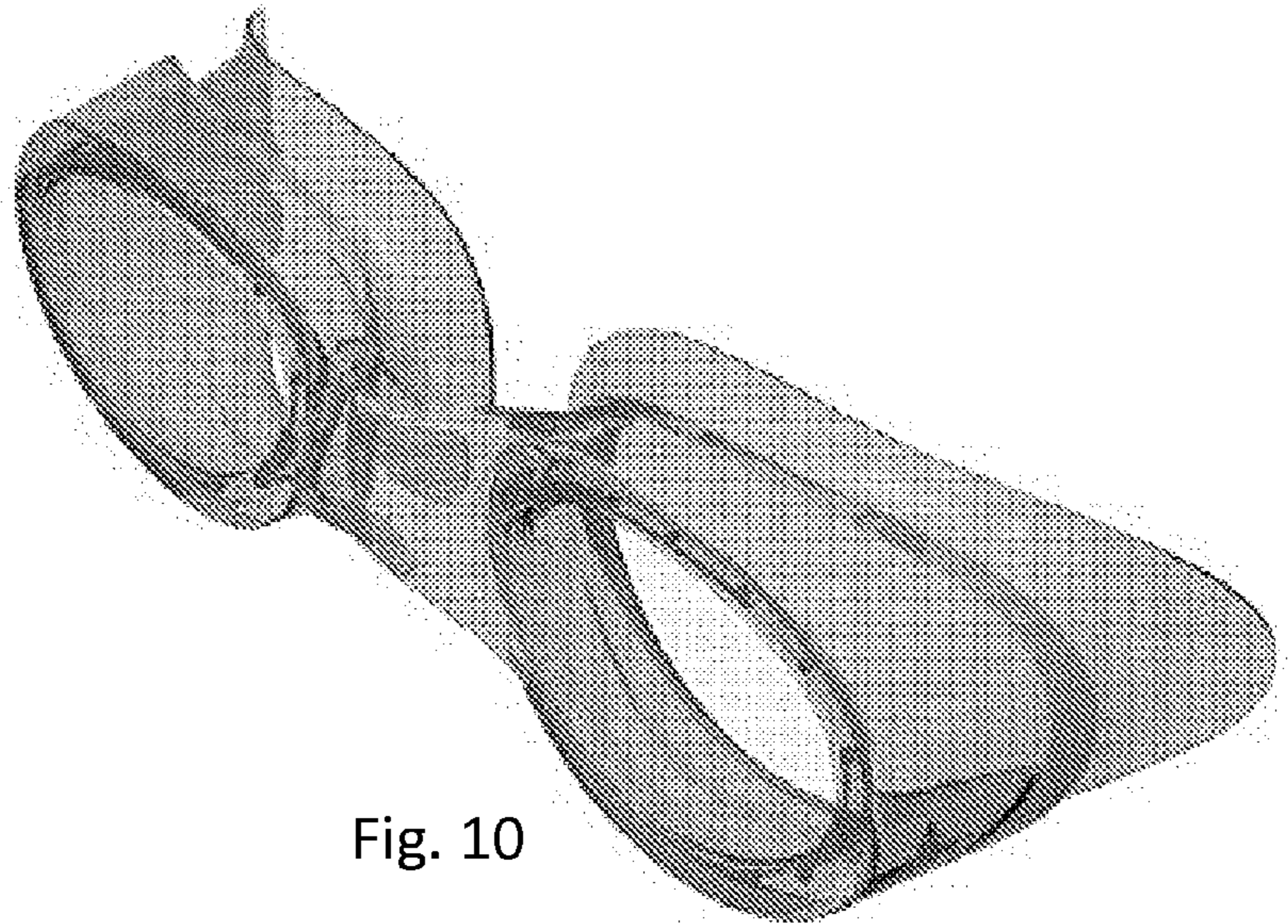


Fig. 10

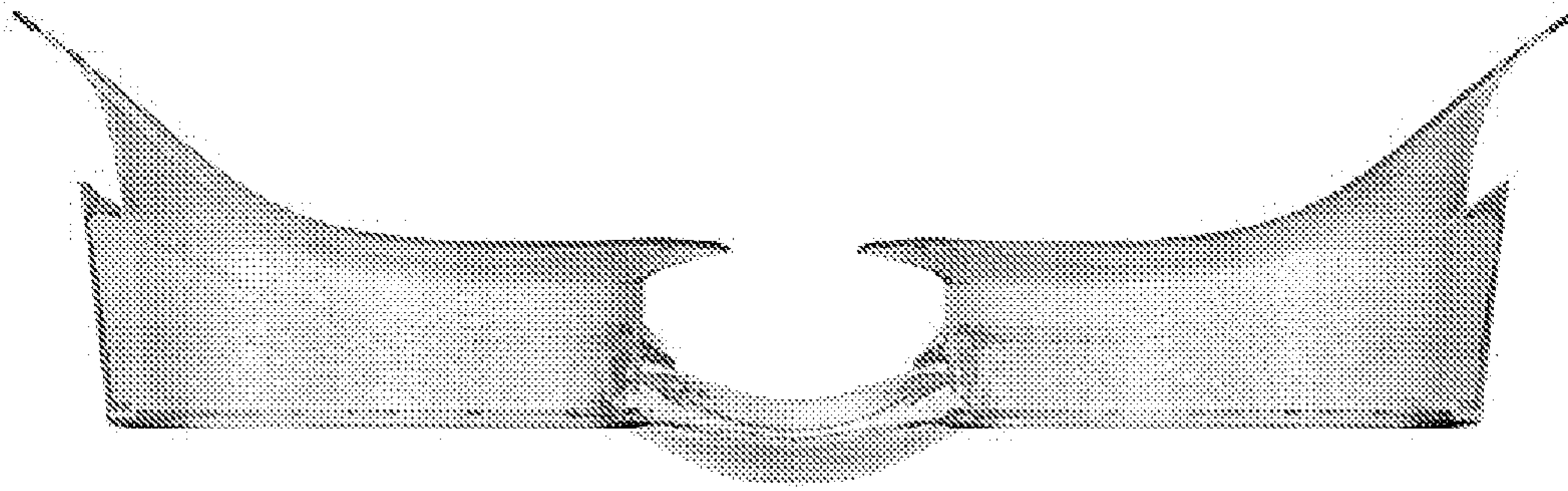


Fig. 11

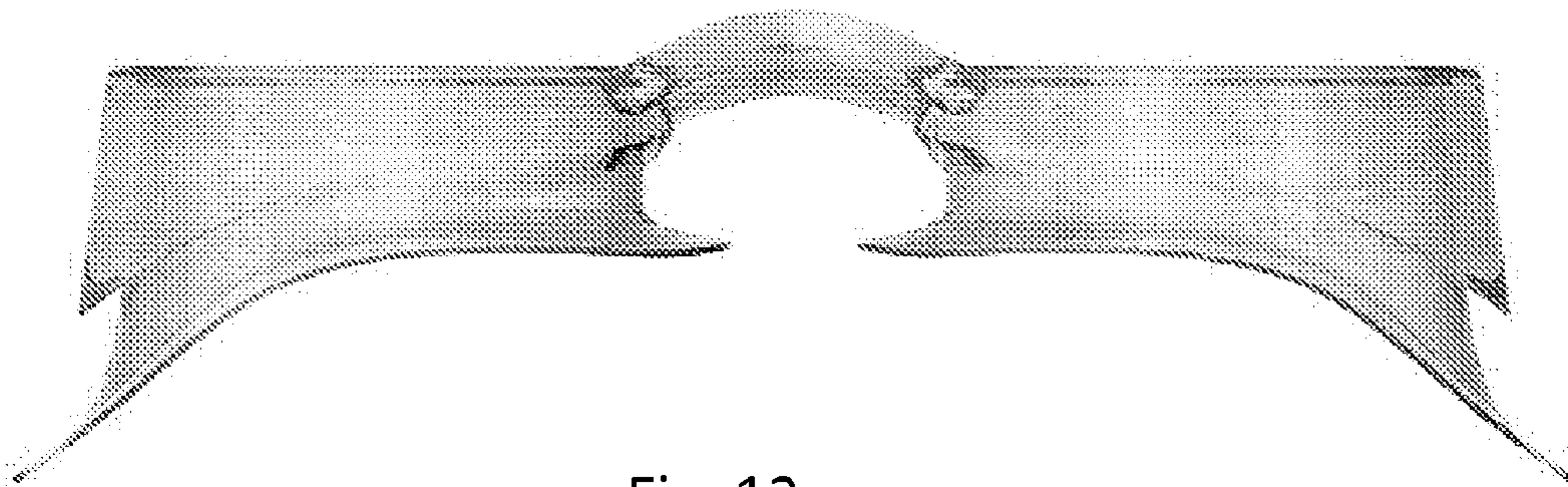


Fig. 12

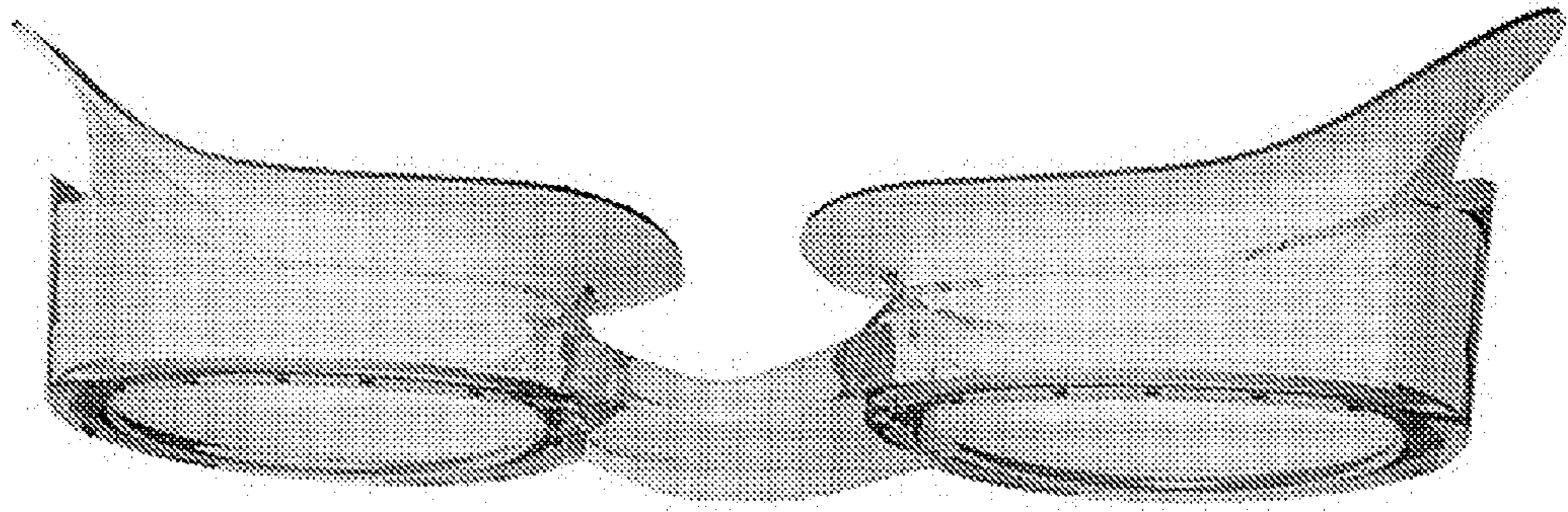


Fig. 13

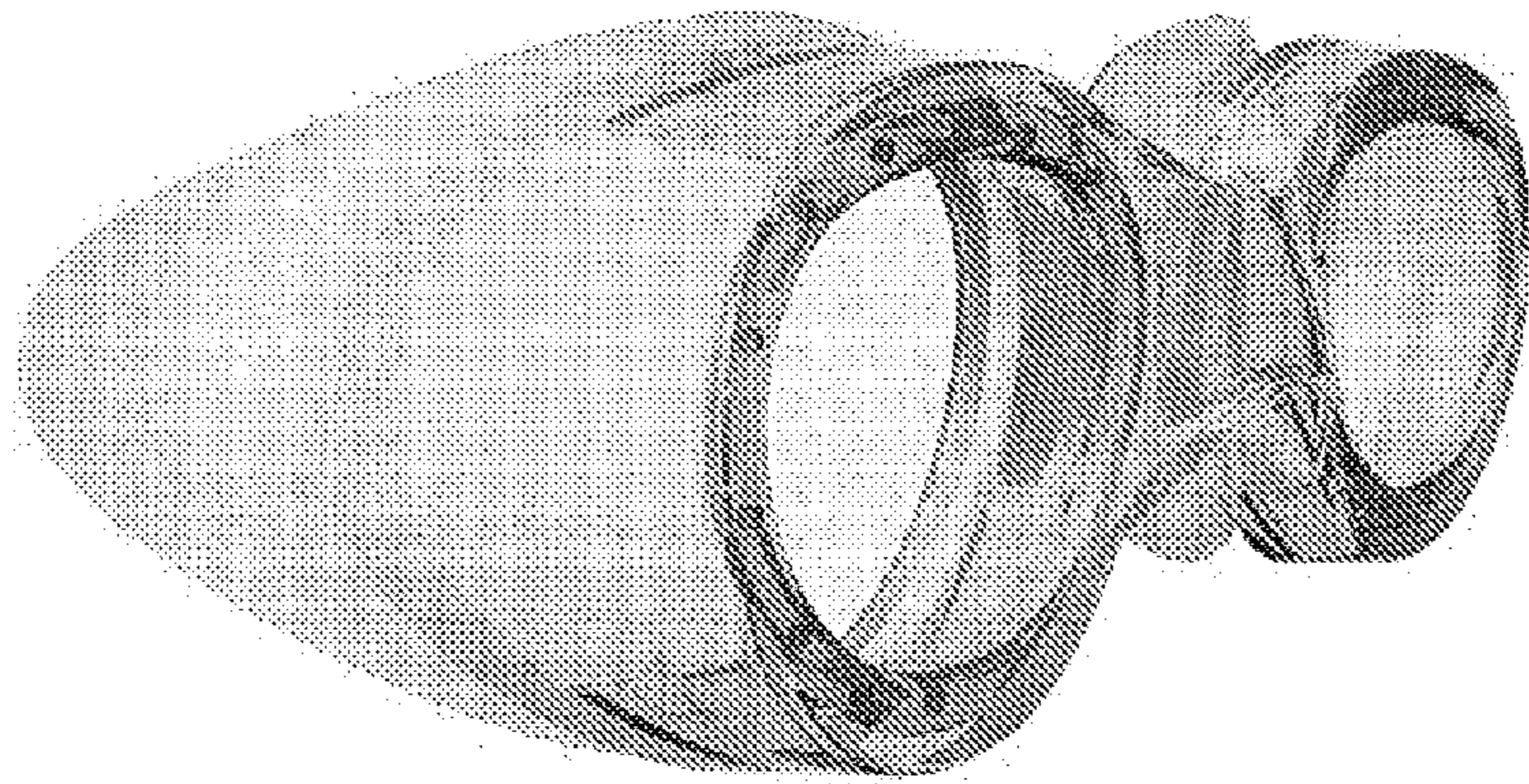


Fig. 14

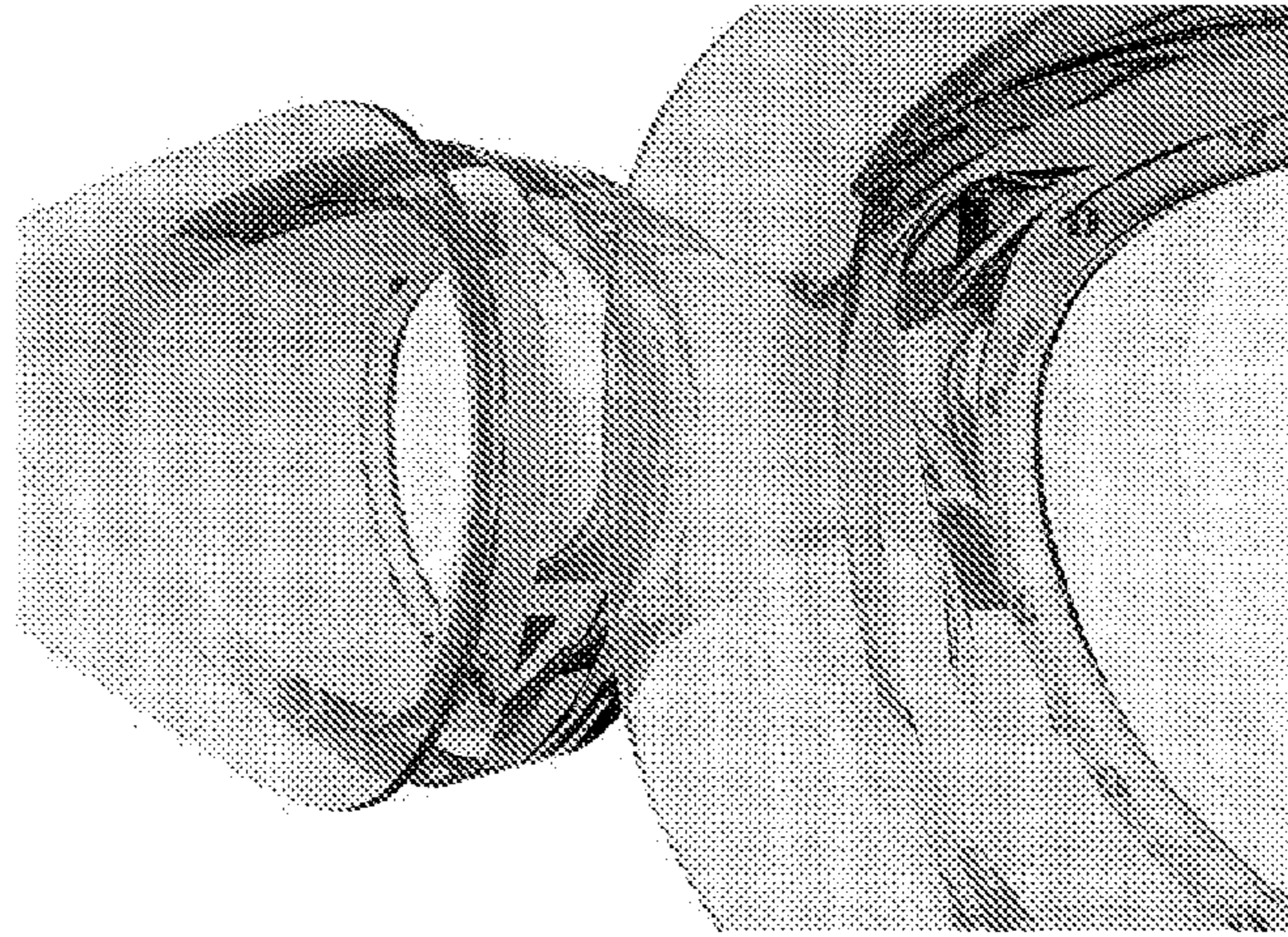


Fig. 15

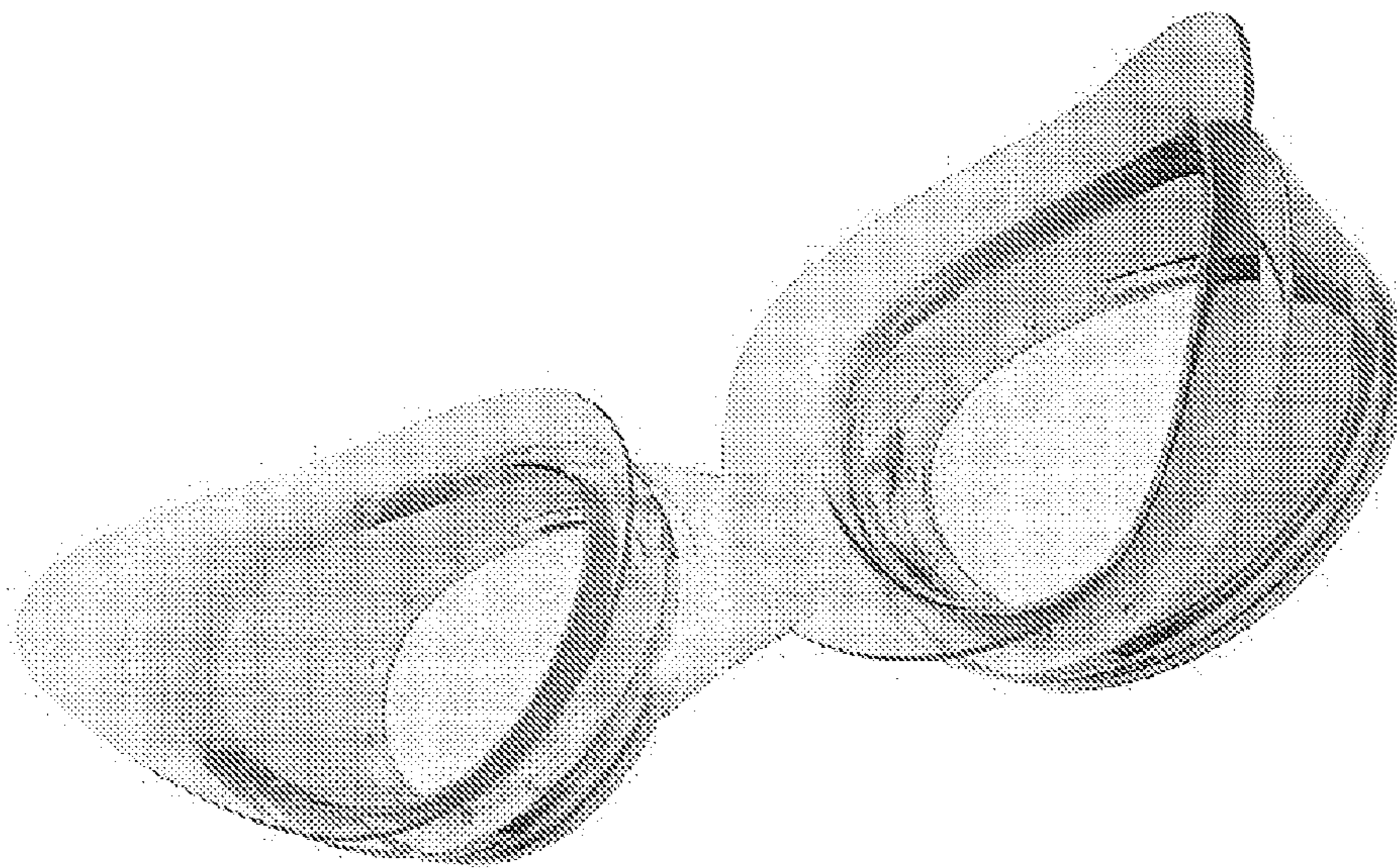


Fig. 16