



US00D683384S

(12) **United States Design Patent**
Swaggart

(10) **Patent No.:** **US D683,384 S**

(45) **Date of Patent:** **** May 28, 2013**

(54) **CAMERA HARNESS**

(76) Inventor: **Matthew Swaggart**, Tulsa, OK (US)

(**) Term: **14 Years**

(21) Appl. No.: **29/412,353**

(22) Filed: **Feb. 2, 2012**

(51) **LOC (9) Cl.** **16-05**

(52) **U.S. Cl.**
USPC **D16/243**

(58) **Field of Classification Search**
USPC D16/237, 242, 243, 245; D29/101.1;
D12/400; D3/214, 218, 222, 226; 396/423;
224/192, 193, 198, 244, 245
See application file for complete search history.

(56) **References Cited**

U.S. PATENT DOCUMENTS

D279,520 S *	7/1985	Brinson, Jr.	D29/101.1
D309,359 S *	7/1990	Joachim	D29/101.1
D342,348 S *	12/1993	Panarelli	D29/101.1
D348,153 S *	6/1994	Eldridge	D29/101.1
D374,977 S *	10/1996	Cook	D3/215
D376,611 S *	12/1996	Field	D16/242
D411,916 S *	7/1999	Jackson	D3/218
D467,417 S *	12/2002	Jackson	D3/218
D524,042 S *	7/2006	Lavine	D3/218
D547,942 S *	8/2007	Lavine	D3/218
D561,464 S *	2/2008	Courtney	D3/218
D594,223 S *	6/2009	Jackson	D3/215
D600,009 S *	9/2009	Doty et al.	D3/222
D604,380 S *	11/2009	Garcia	D21/804
D647,296 S *	10/2011	Hitchcock	D3/226

OTHER PUBLICATIONS

Nikon Binocular Harness. [online] Retrieved Mar. 28, 2013 from URL: <www.adorama.com/NKBH.html>.*

BlackRapid RS DR-2, Double Strap for Two Cameras with FastenR3, Smaller Version. [online] Retrieved Mar. 28, 2013 from URL: <www.adorama.com/BRDR2.html>.*

* cited by examiner

Primary Examiner — Susan Bennett Hattan

Assistant Examiner — Vy Koenig

(74) *Attorney, Agent, or Firm* — Charles D. Gunter, Jr.

(57) **CLAIM**

The ornamental design for a camera harness, as shown and described.

DESCRIPTION

FIG. 1 is a front, perspective view of the camera harness of the invention shown in use on a user, the user being shown in dotted lines as defining the general environment of the invention;

FIG. 2 is a back, perspective view of the camera harness of FIG. 1 again showing the Harness on a user's body, with the body shown in dotted lines;

FIG. 3 is an isolated front view of the camera harness of the invention;

FIG. 4 is a right side view of the camera harness of FIG. 3;

FIG. 5 is a left side view of the camera harness of FIG. 3;

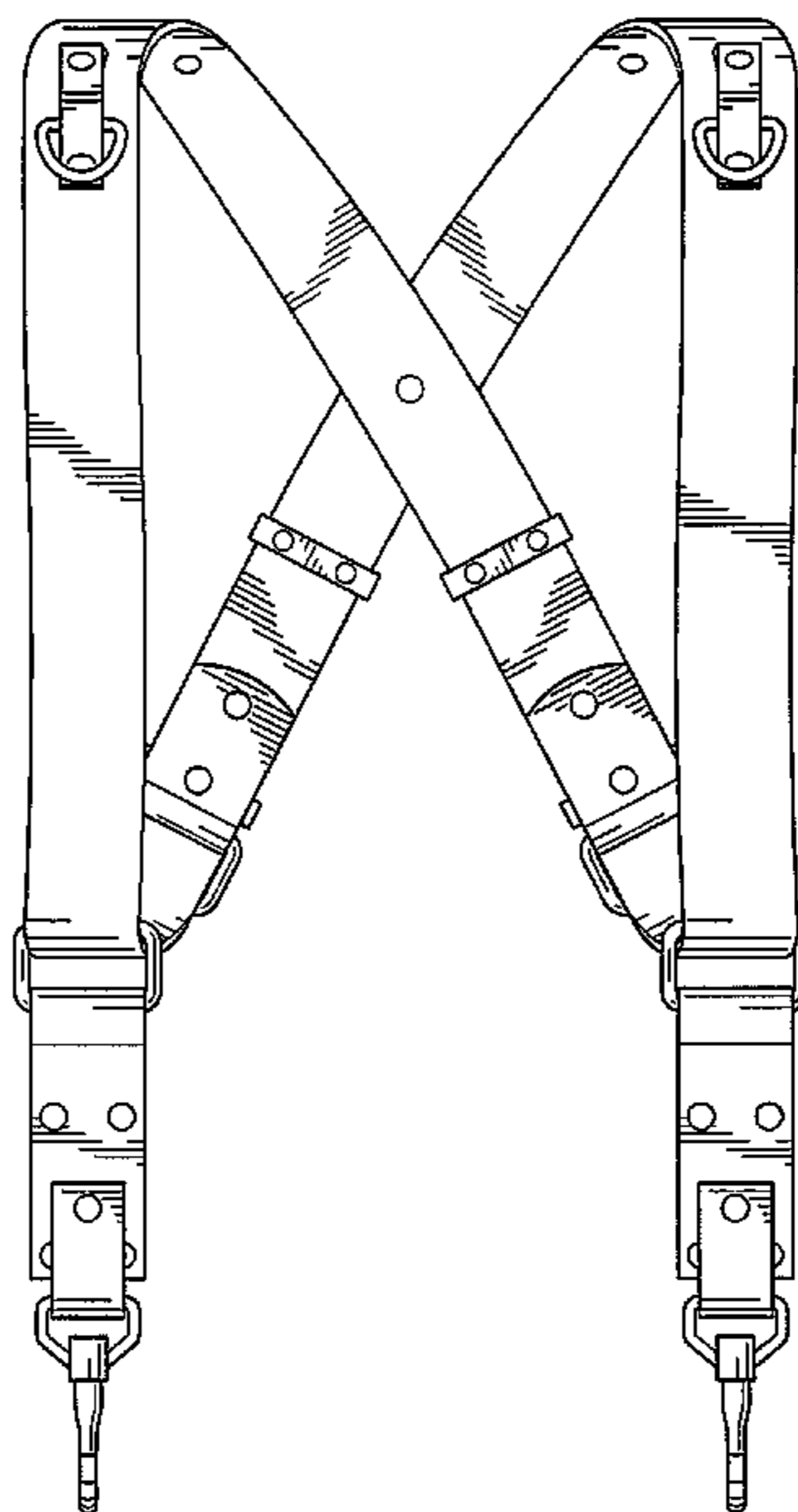
FIG. 6 is a back view of the camera harness of the invention;

FIG. 7 is a top view of the camera harness of the invention as taken from the view presented in FIG. 6; and,

FIG. 8 is a bottom view of the camera harness of the invention as taken from the view presented in FIG. 6.

The broken lines in the drawings depict environmental features that form no part of the claimed design.

1 Claim, 6 Drawing Sheets



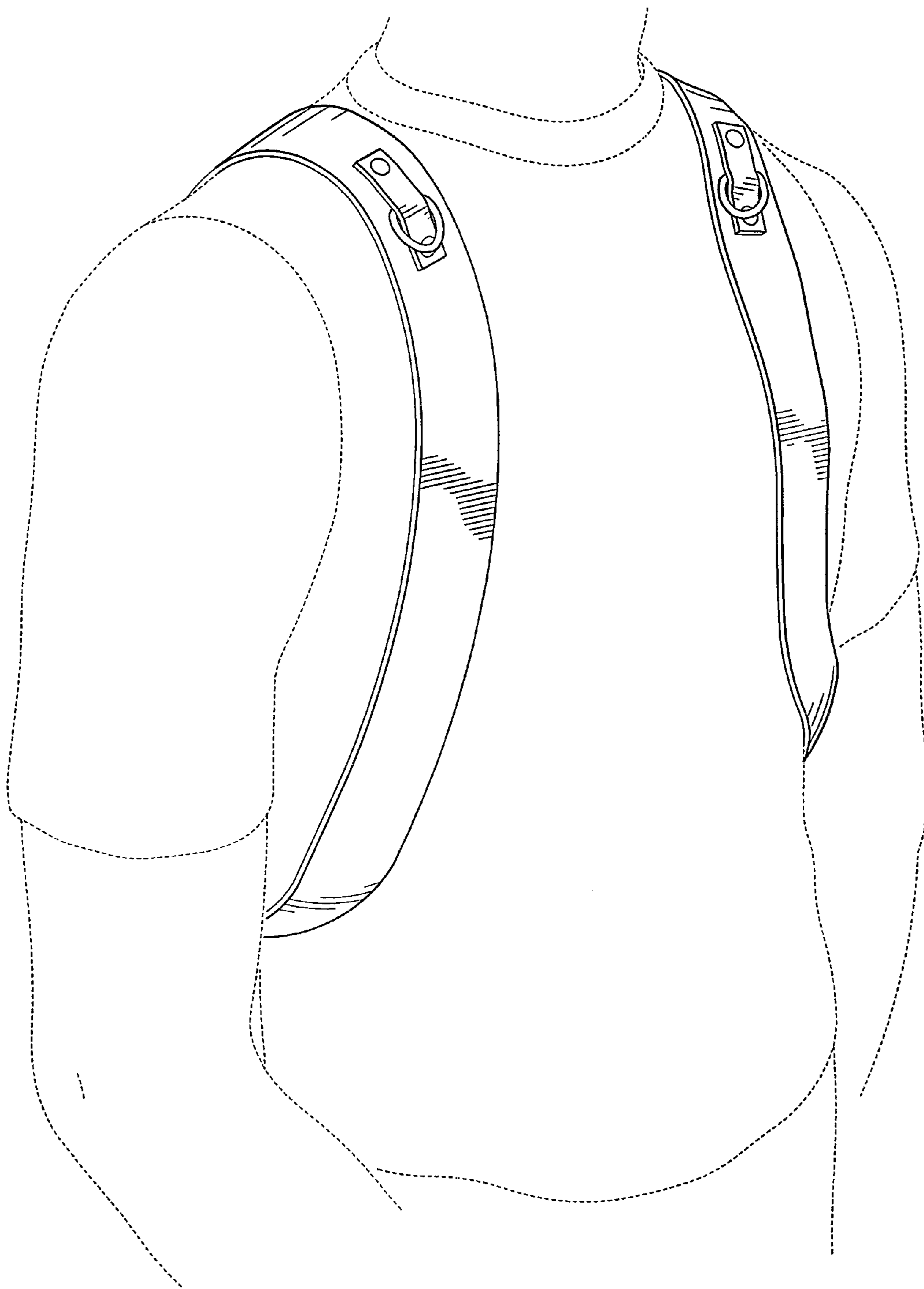


FIG. 1

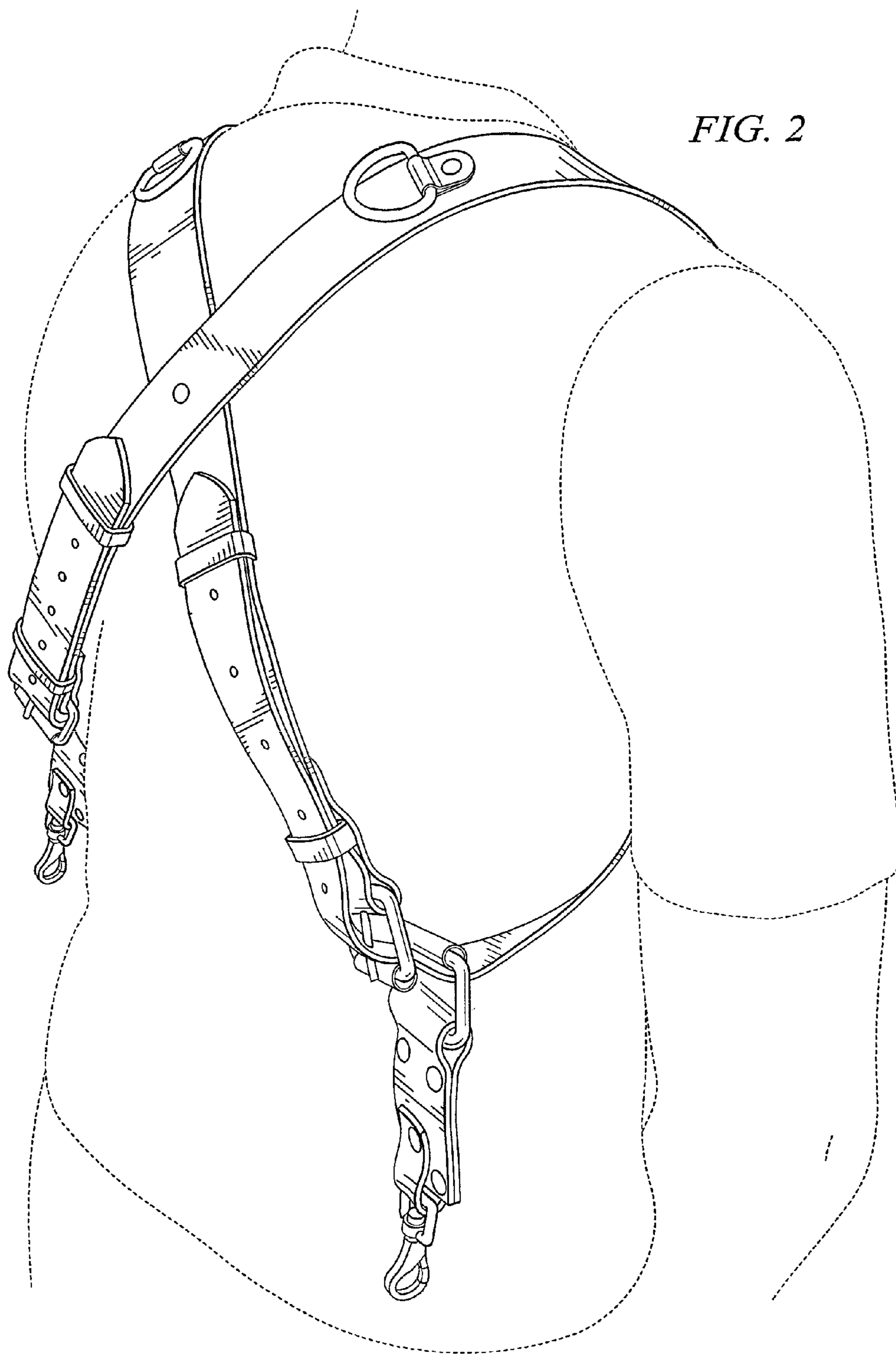


FIG. 2

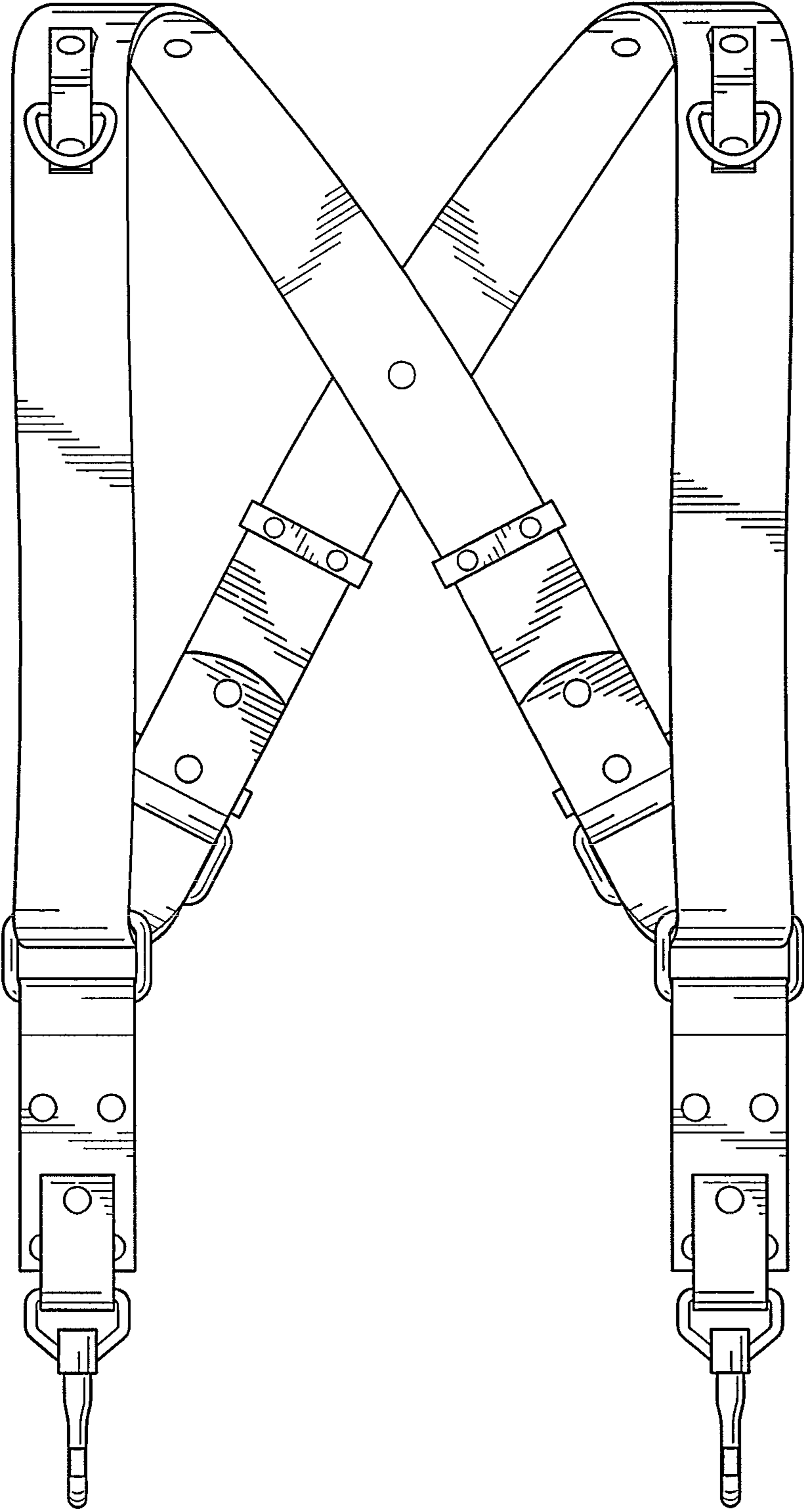


FIG. 3

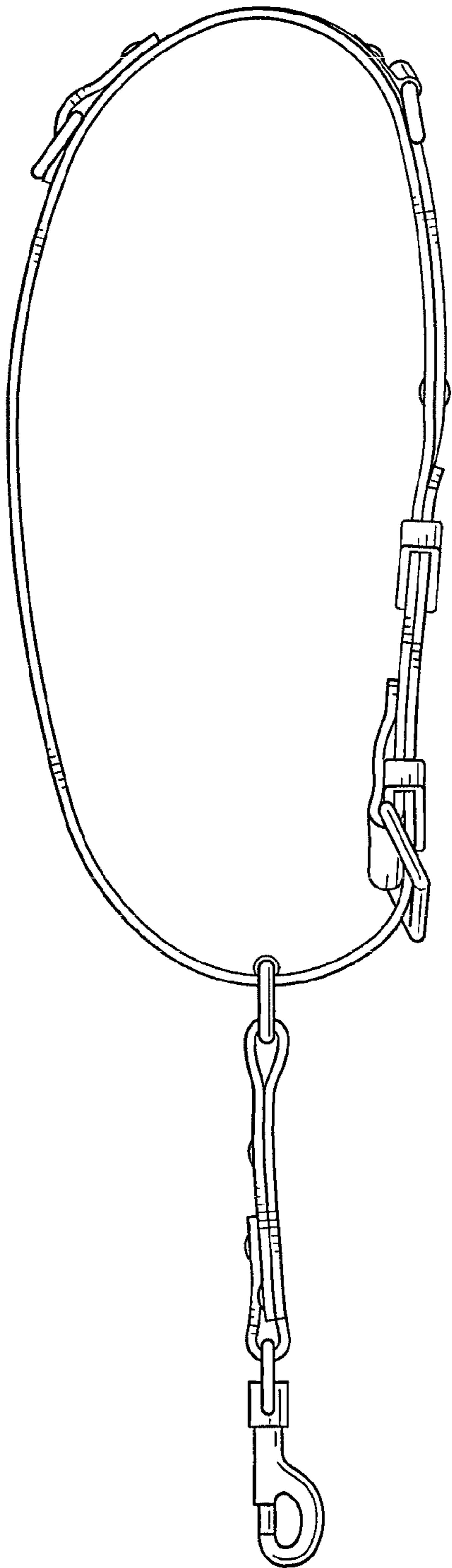


FIG. 4

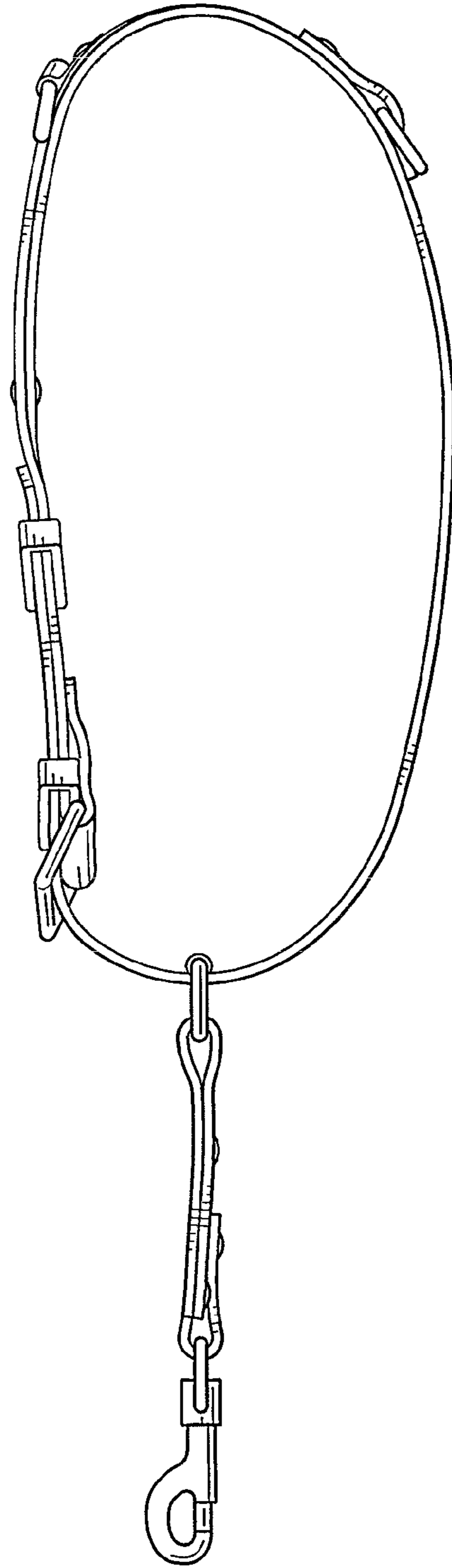


FIG. 5

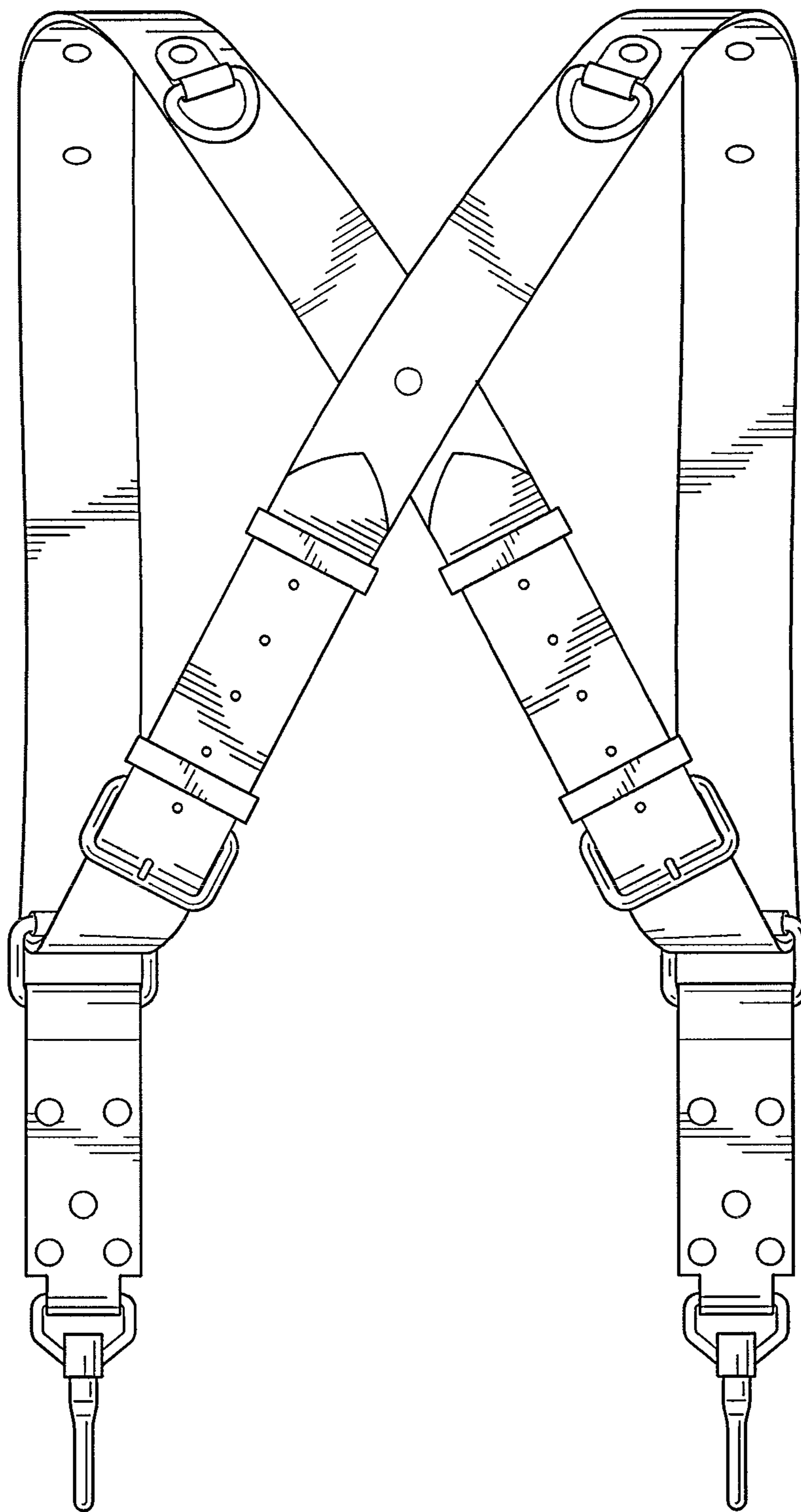


FIG. 6

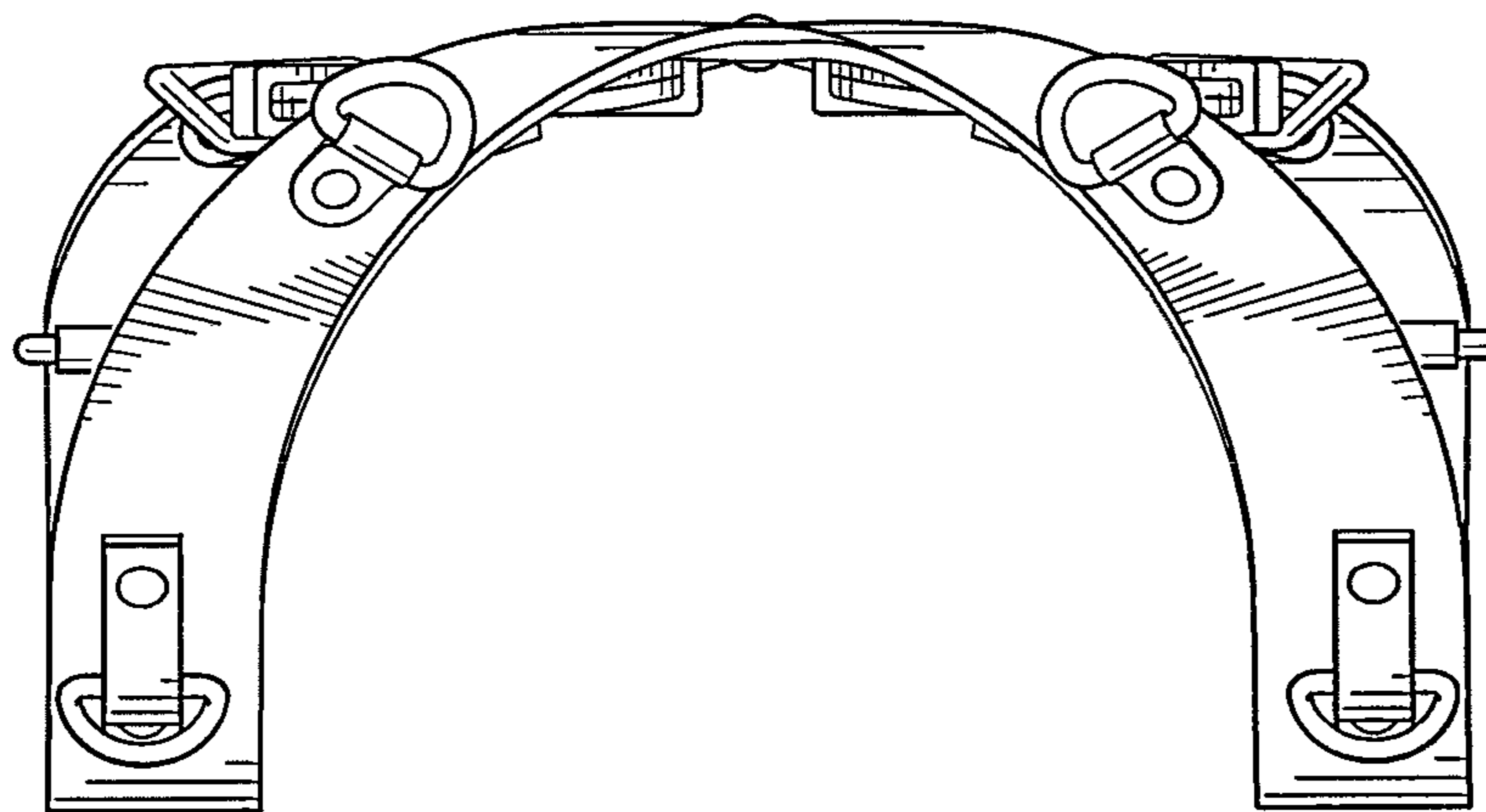


FIG. 7

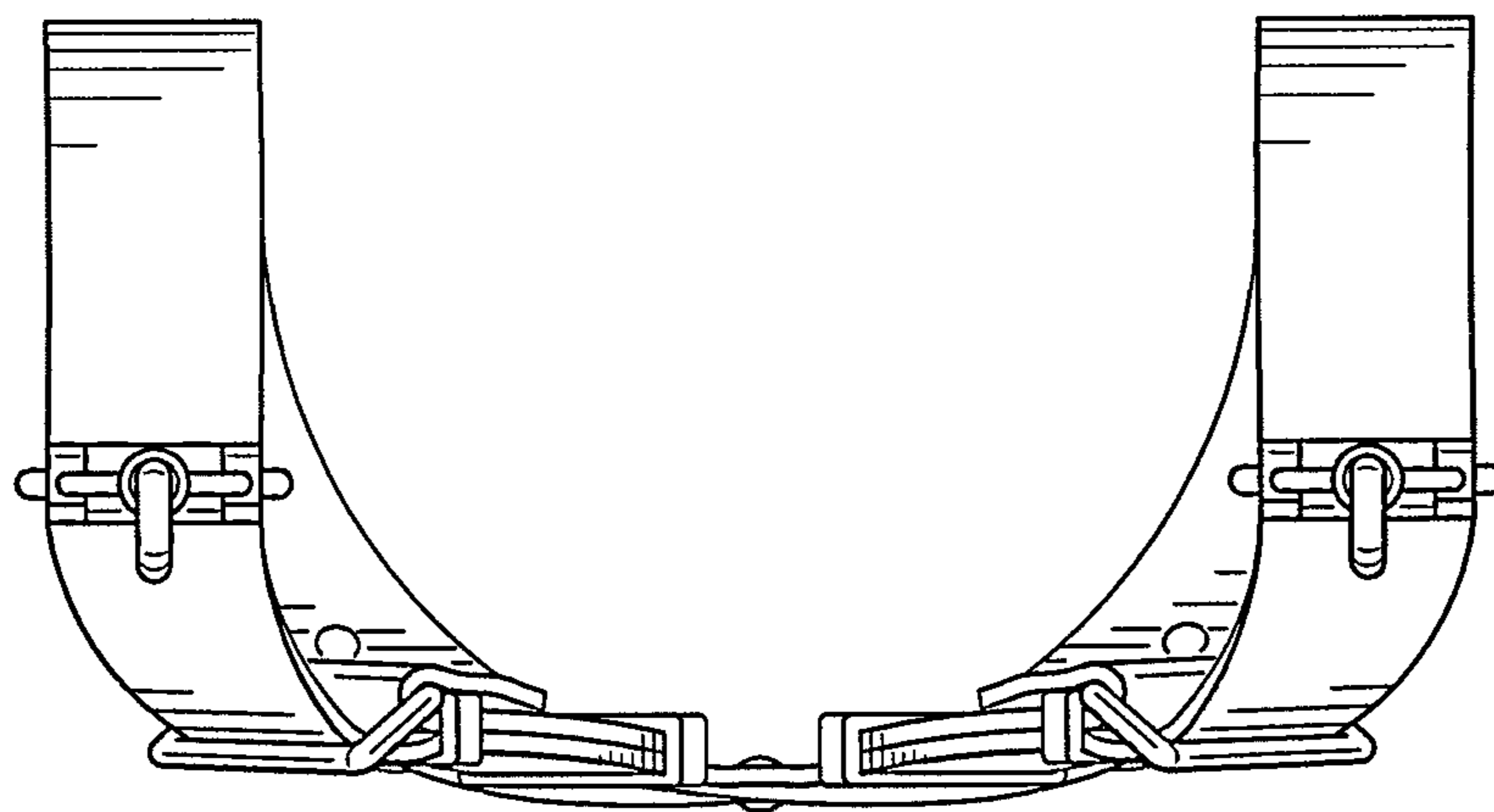


FIG. 8