



US00D683383S

(12) **United States Design Patent**
Skeoch et al.

(10) **Patent No.:** **US D683,383 S**
(45) **Date of Patent:** **** May 28, 2013**

(54) **ELECTRONIC DEVICE MOUNT**

(75) Inventors: **James Steven Skeoch**, San Diego, CA (US); **Jeff Dorsett**, Ramona, CA (US); **Erich Scott Volkert**, Carlsbad, CA (US)

(73) Assignee: **AVAAK, Inc.**, San Diego, CA (US)

(**) Term: **14 Years**

(21) Appl. No.: **29/404,962**

(22) Filed: **Oct. 27, 2011**

(51) **LOC (9) Cl.** **16-05**

(52) **U.S. Cl.**
USPC **D16/242**

(58) **Field of Classification Search**

USPC D16/219, 235, 237, 242–245, 250, D16/200–204, 208; D14/217, 511; 248/176.1, 248/177.1, 178.1, 179.1, 180.1, 183.1, 187.1, 248/683; 348/373, 375; 396/419–420, 428, 396/535; D8/394, 395

See application file for complete search history.

(56) **References Cited**

U.S. PATENT DOCUMENTS

| | | | | | |
|--------------|------|---------|-----------------|-------|-----------|
| 687,347 | A * | 11/1901 | Stapleton | | 248/181.1 |
| D511,352 | S * | 11/2005 | Oliver et al. | | D16/203 |
| D552,089 | S * | 10/2007 | Fujii et al. | | D14/239 |
| D552,144 | S * | 10/2007 | Logan et al. | | D16/202 |
| D554,682 | S * | 11/2007 | Martinez et al. | | D16/203 |
| D629,440 | S * | 12/2010 | Newman | | D16/242 |
| D654,528 | S * | 2/2012 | Easley et al. | | D16/245 |
| 8,382,386 | B2 * | 2/2013 | Cheng et al. | | 396/427 |
| D677,709 | S * | 3/2013 | Skeoch et al. | | D16/242 |
| 2012/0114324 | A1 * | 5/2012 | Volkert et al. | | 396/428 |

OTHER PUBLICATIONS

Netgear VueZone VZMB2010 Table/Ceiling Mount. [online] Retrieved Apr. 3, 2013 from URL: <www.quill.com/netgear-camera-mounts-and-accessories/cbs/288333.html>.*

* cited by examiner

Primary Examiner — Susan Bennett Hattan

Assistant Examiner — Vy Koenig

(74) *Attorney, Agent, or Firm* — Manuel de la Cerra

(57) **CLAIM**

The ornamental design for an electronic device mount, as shown and described.

DESCRIPTION

FIG. 1 is a perspective front view of the electronic device mount with an electronic device attached.

FIG. 2 is a perspective front view with the electronic device unattached.

FIG. 3 is a left side view with an electronic device attached.

FIG. 4 is a left side view with an electronic device unattached.

FIG. 5 is a right side view with an electronic device attached.

FIG. 6 is a bottom view with an electronic device attached.

FIG. 7 is a top view with an electronic device attached.

FIG. 8 is a top view with an electronic device unattached.

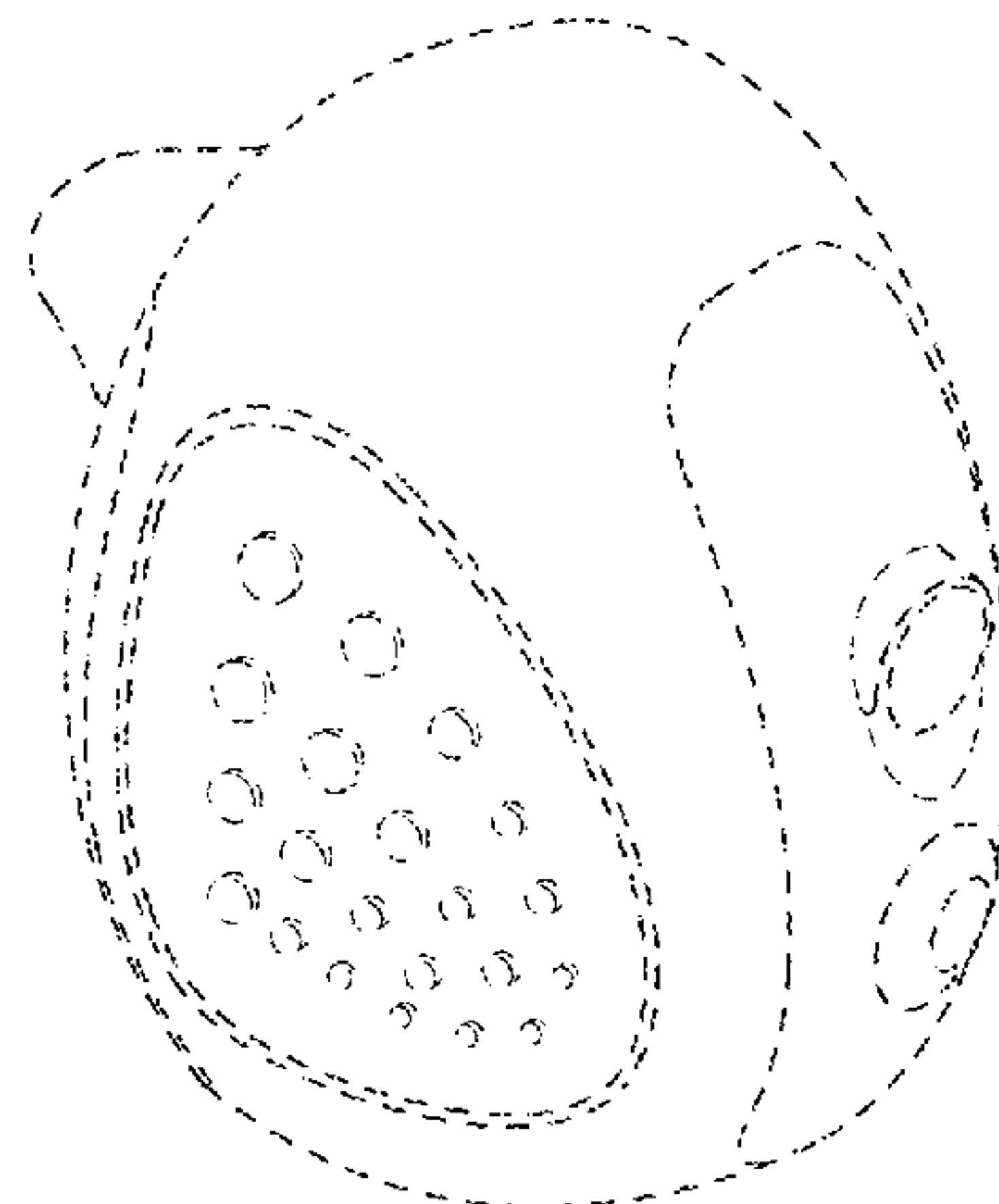
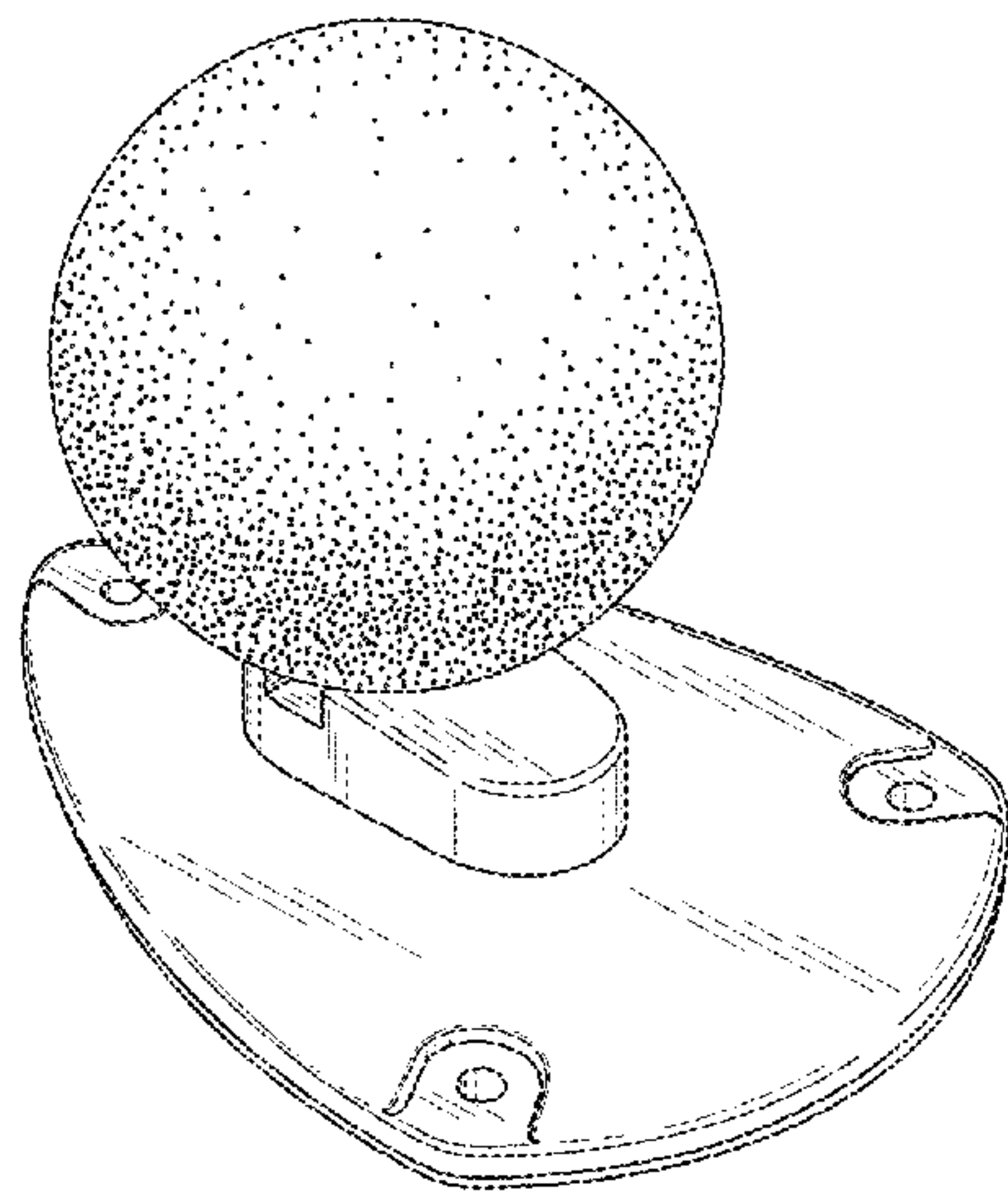
FIG. 9 is a front view with an electronic device attached.

FIG. 10 is a front view with an electronic device unattached; and,

FIG. 11 is a rear view with an electronic device attached.

The broken lines in the drawings depict environmental subject matter that forms no part of the claimed design.

1 Claim, 6 Drawing Sheets



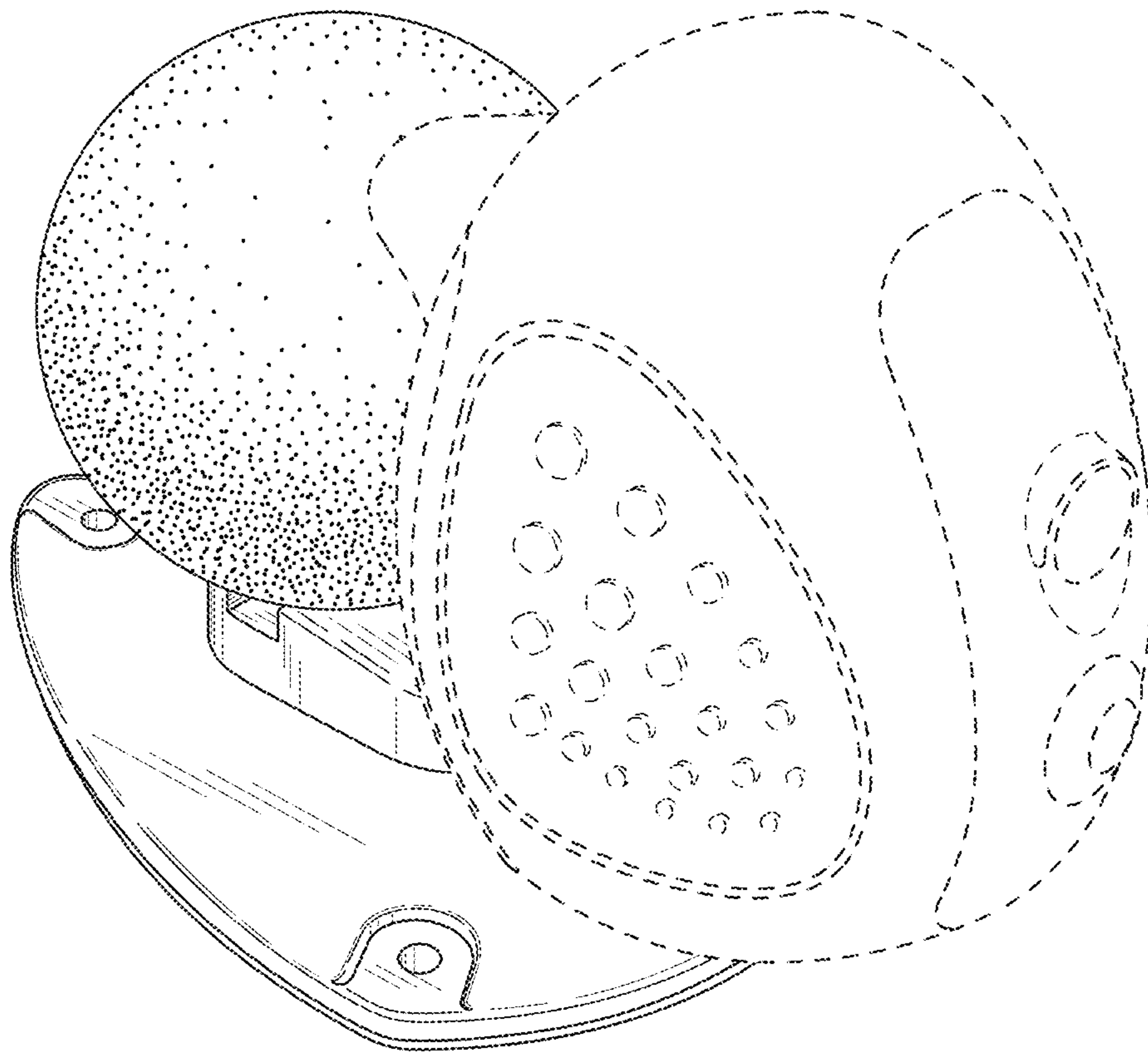


Fig. 1

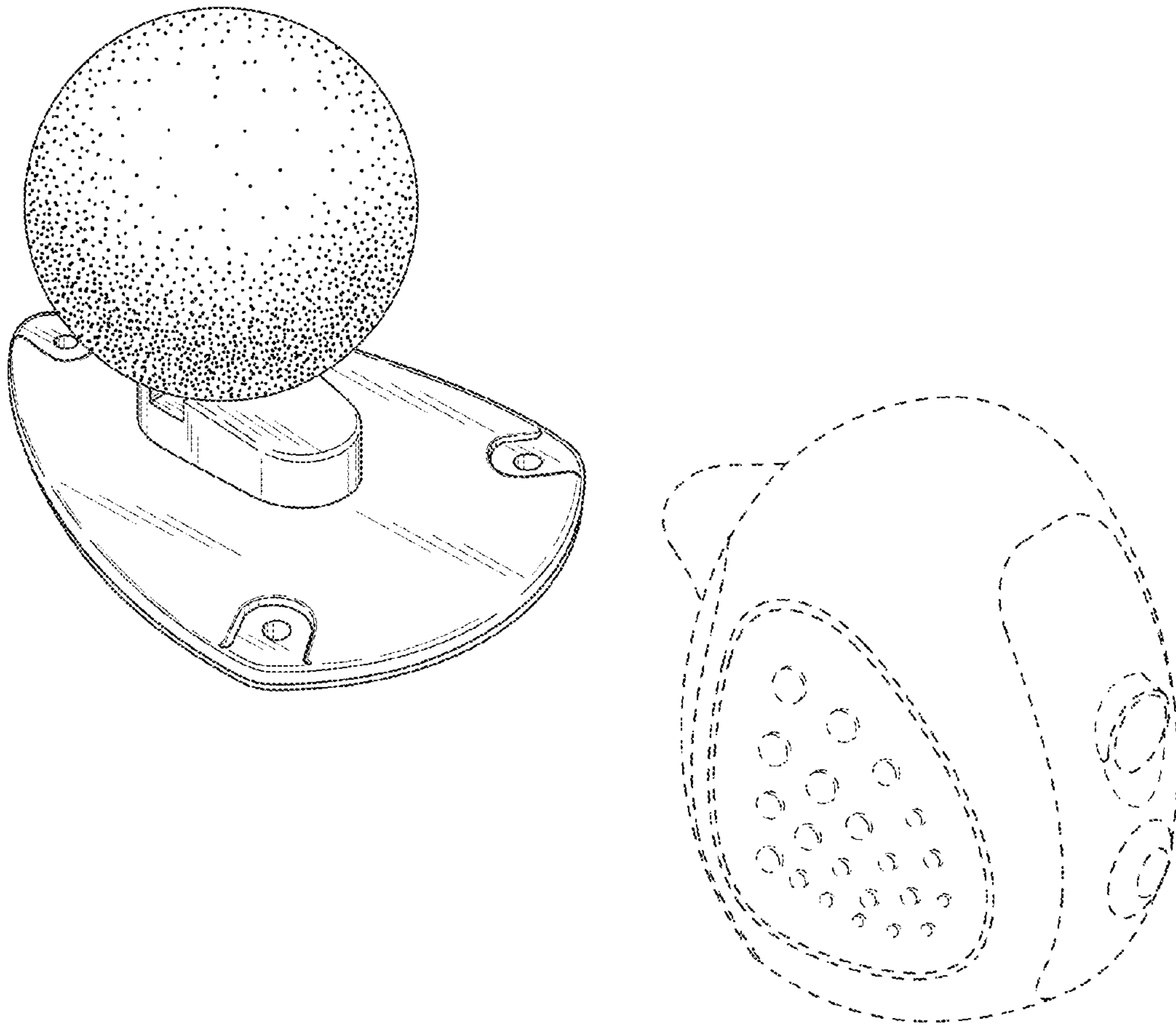


Fig. 2

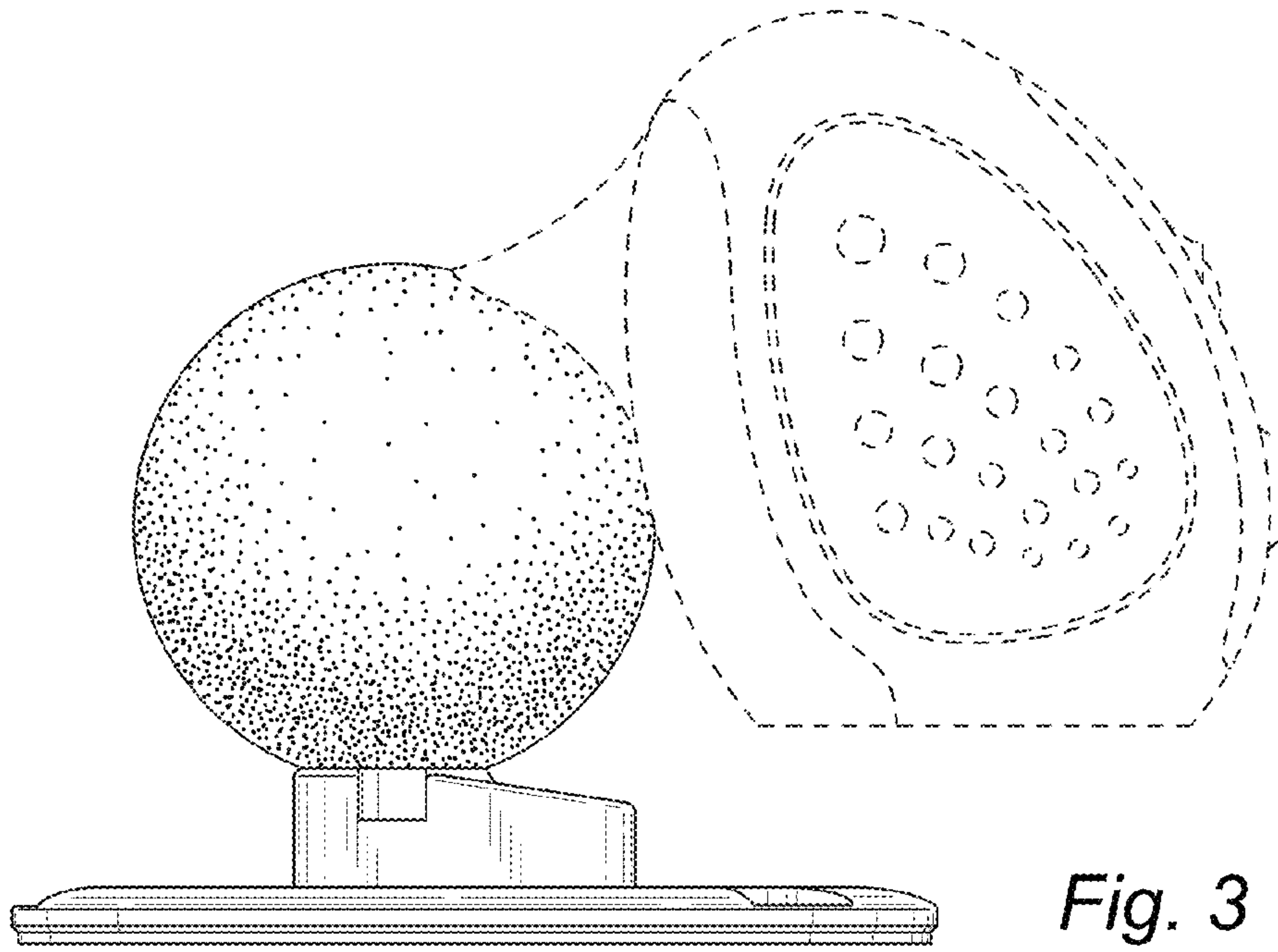


Fig. 3

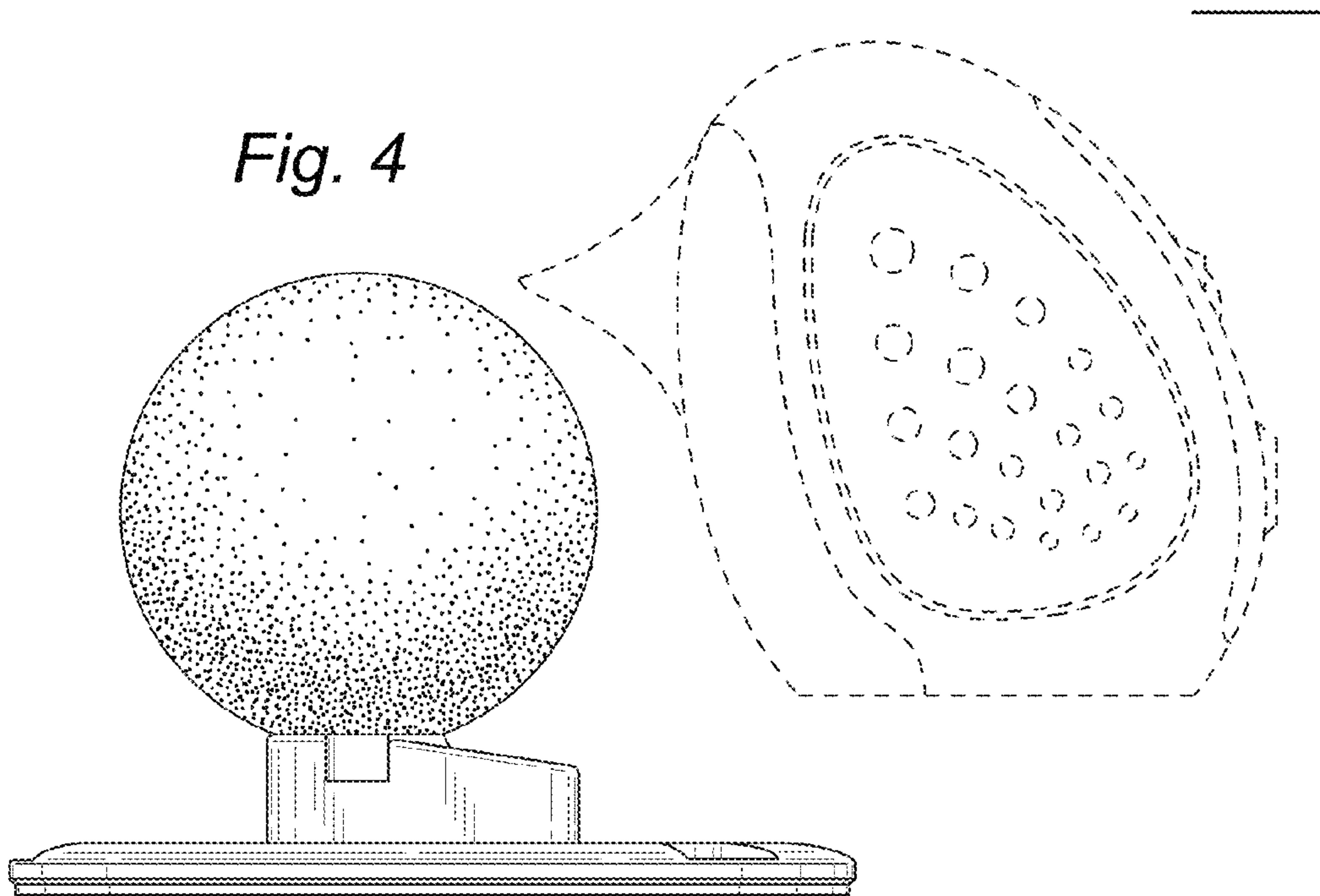


Fig. 4

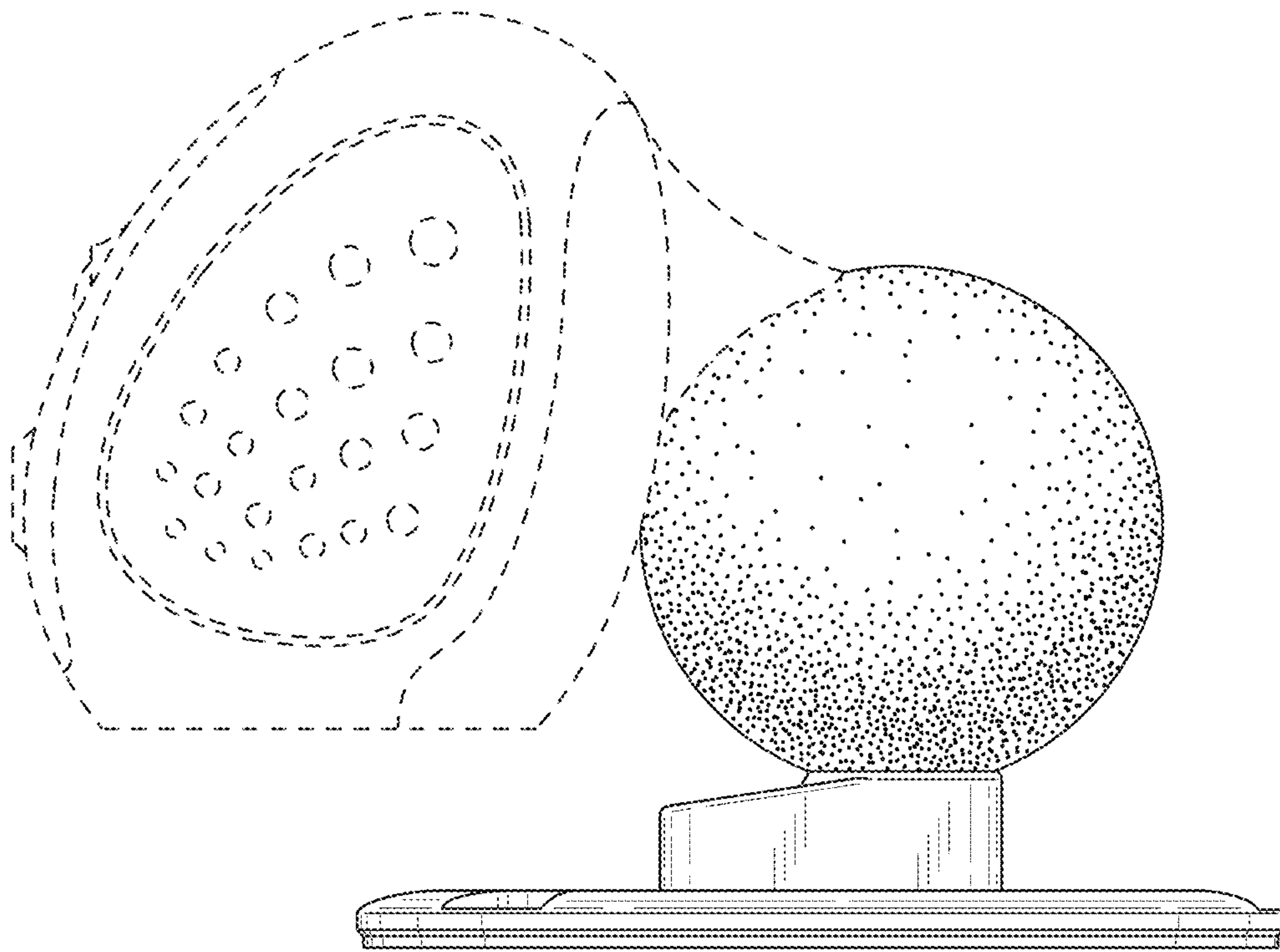


Fig. 5

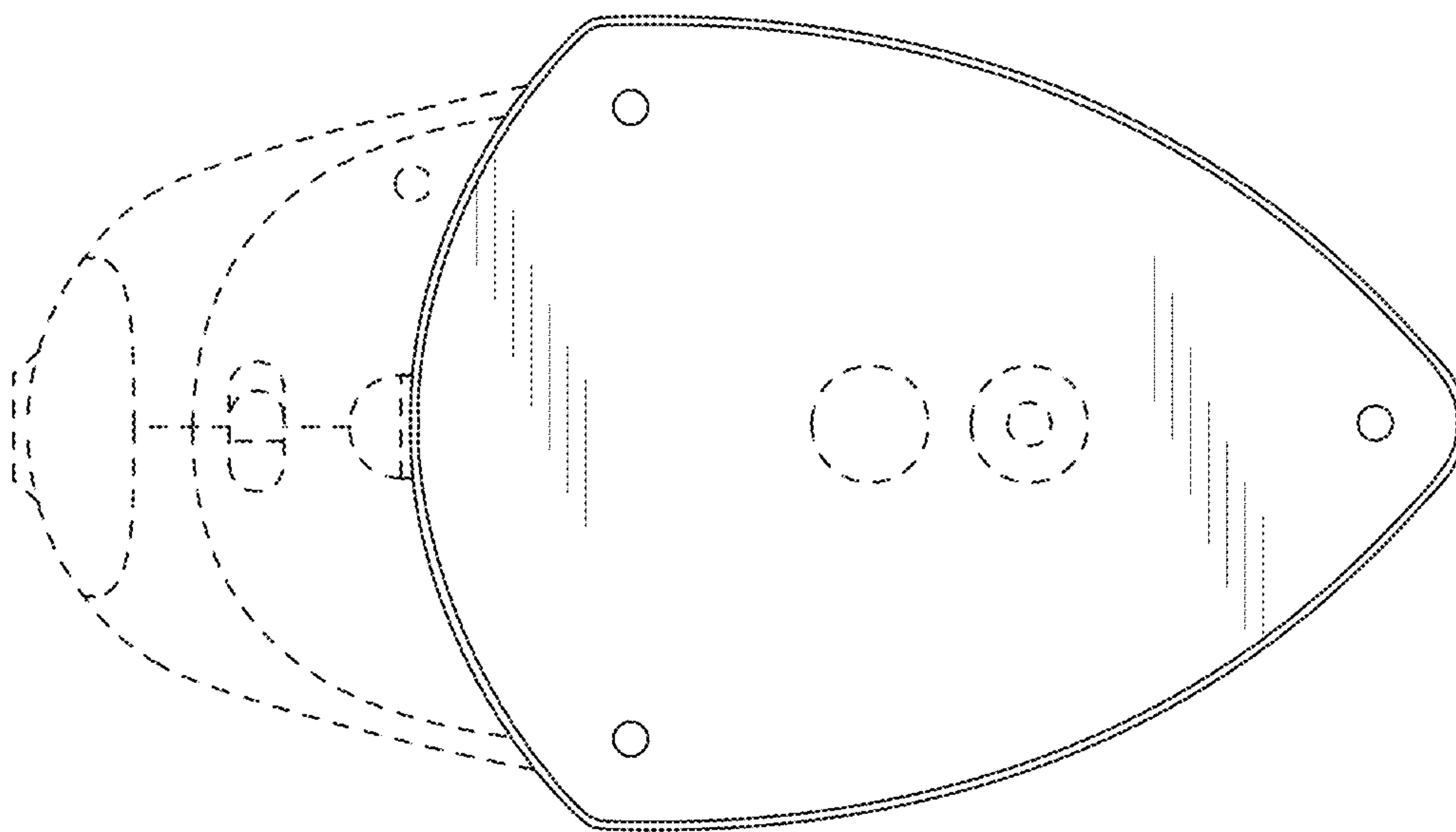


Fig. 6

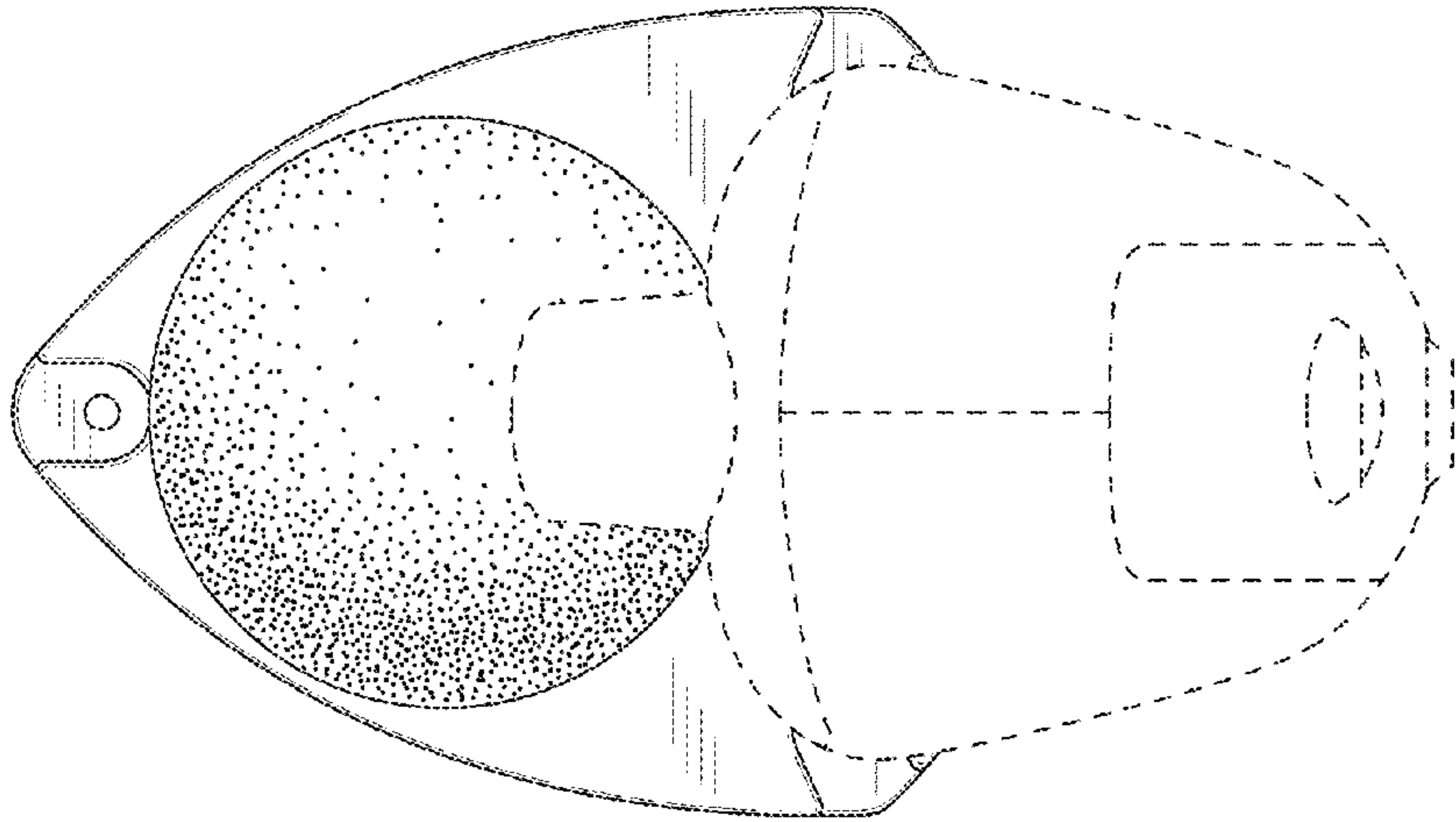


Fig. 7

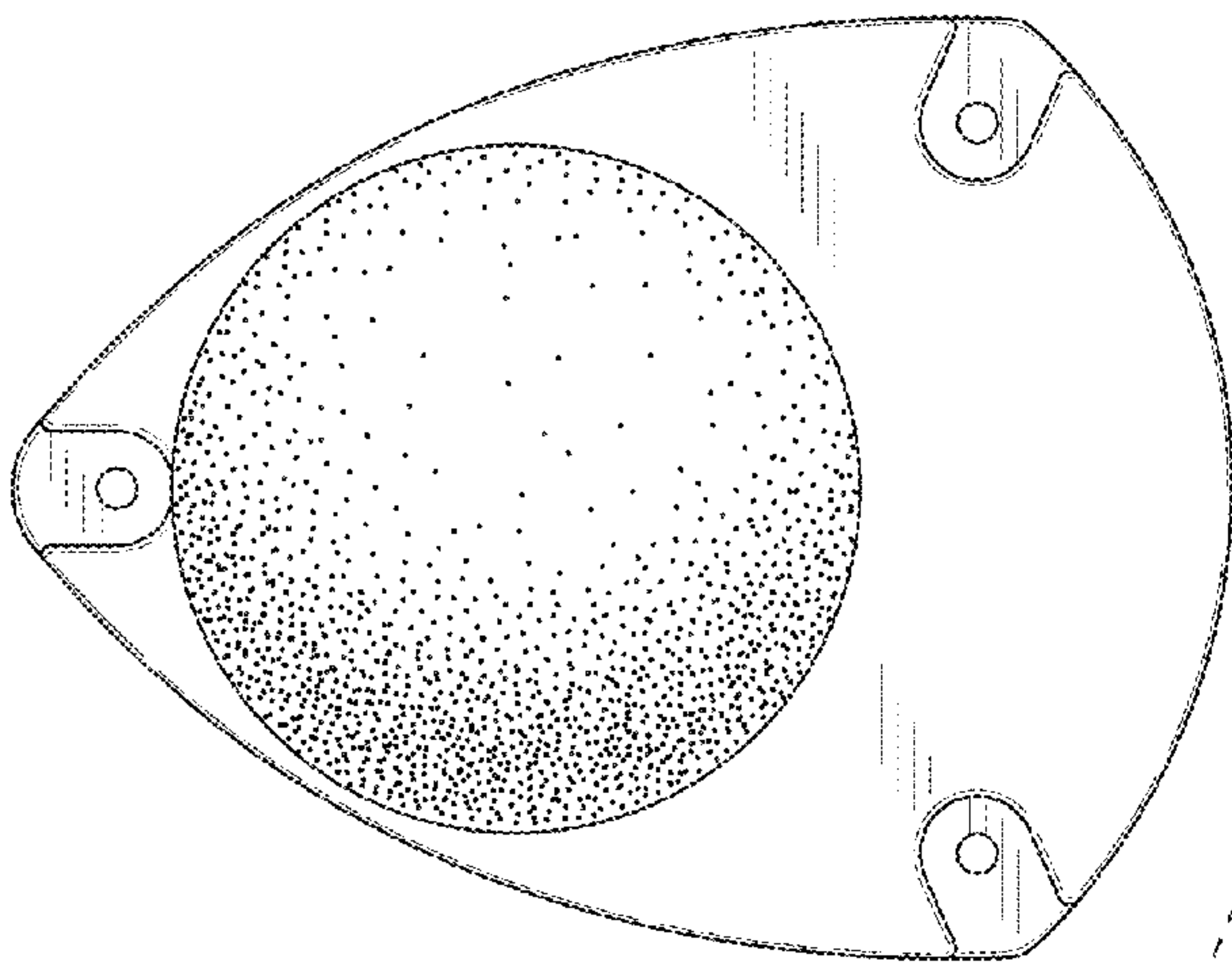
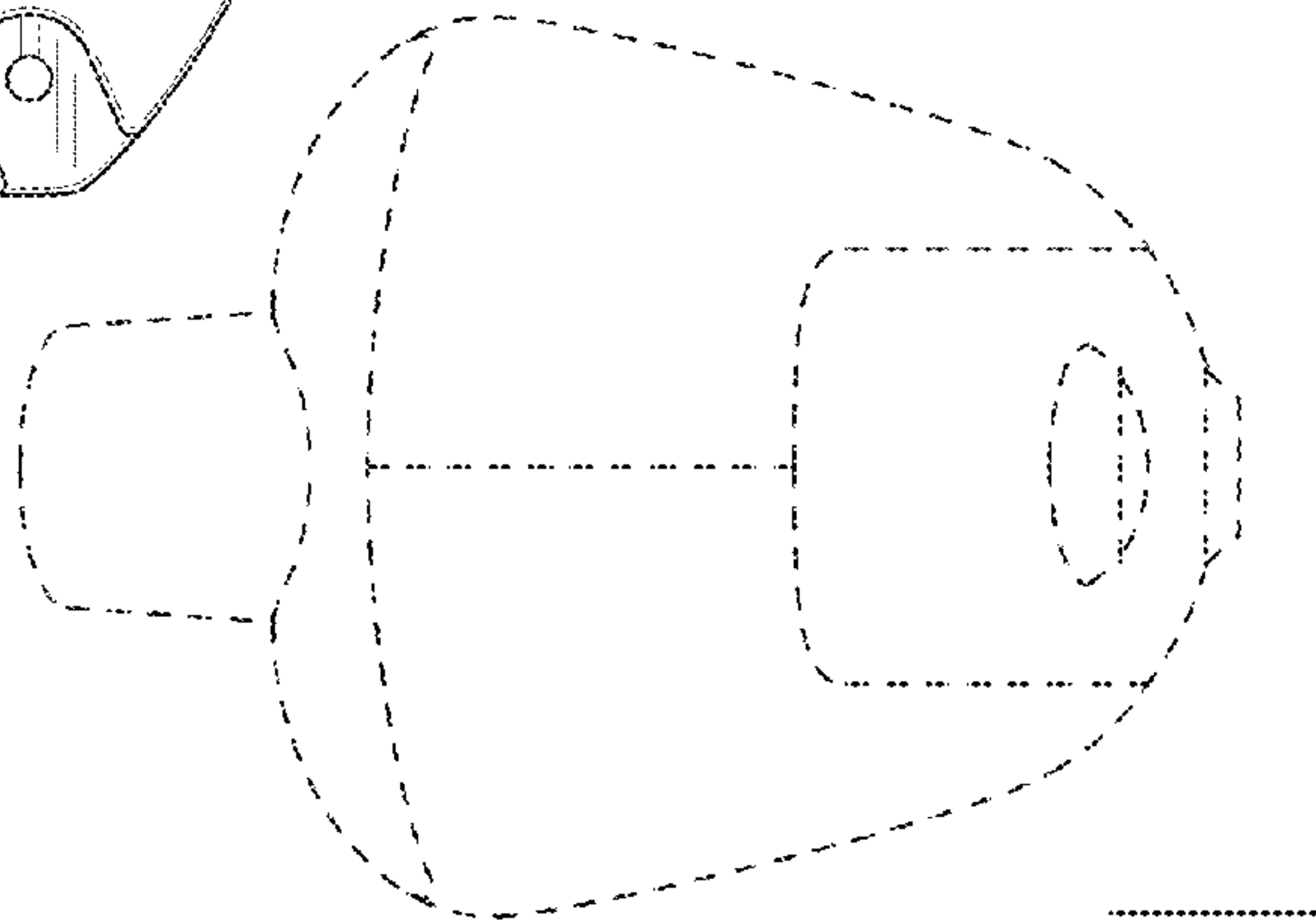


Fig. 8



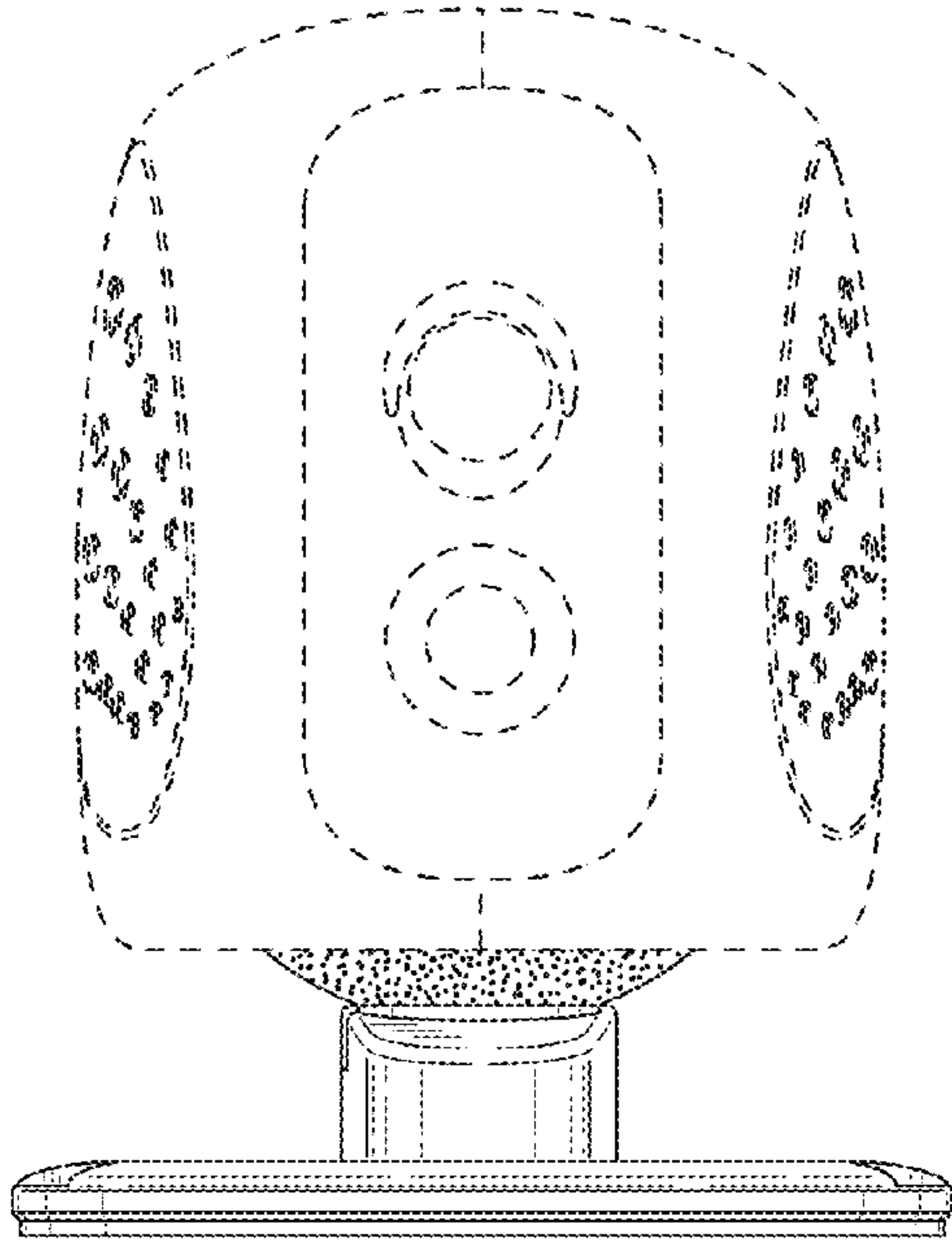


Fig. 9

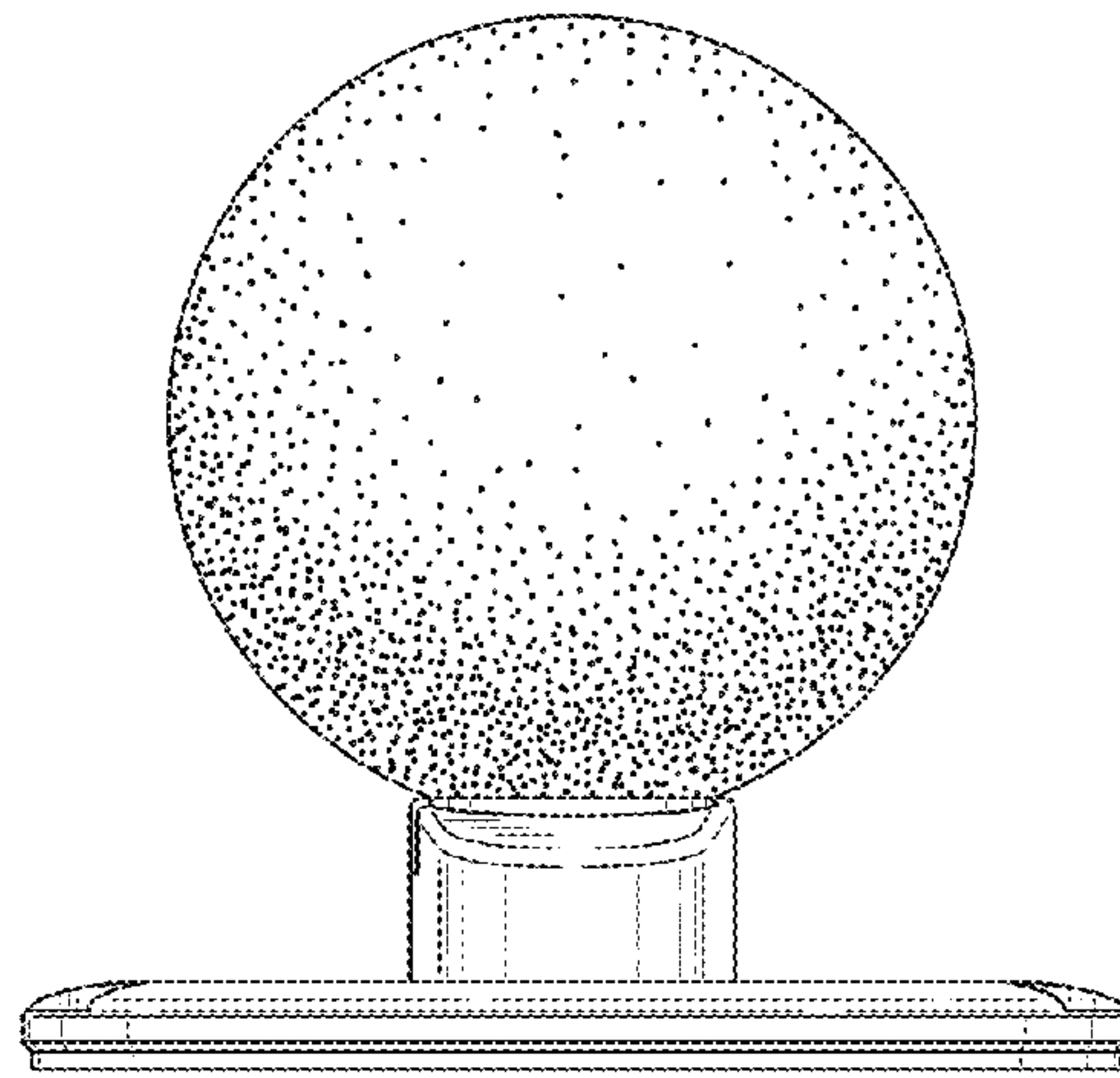


Fig. 10

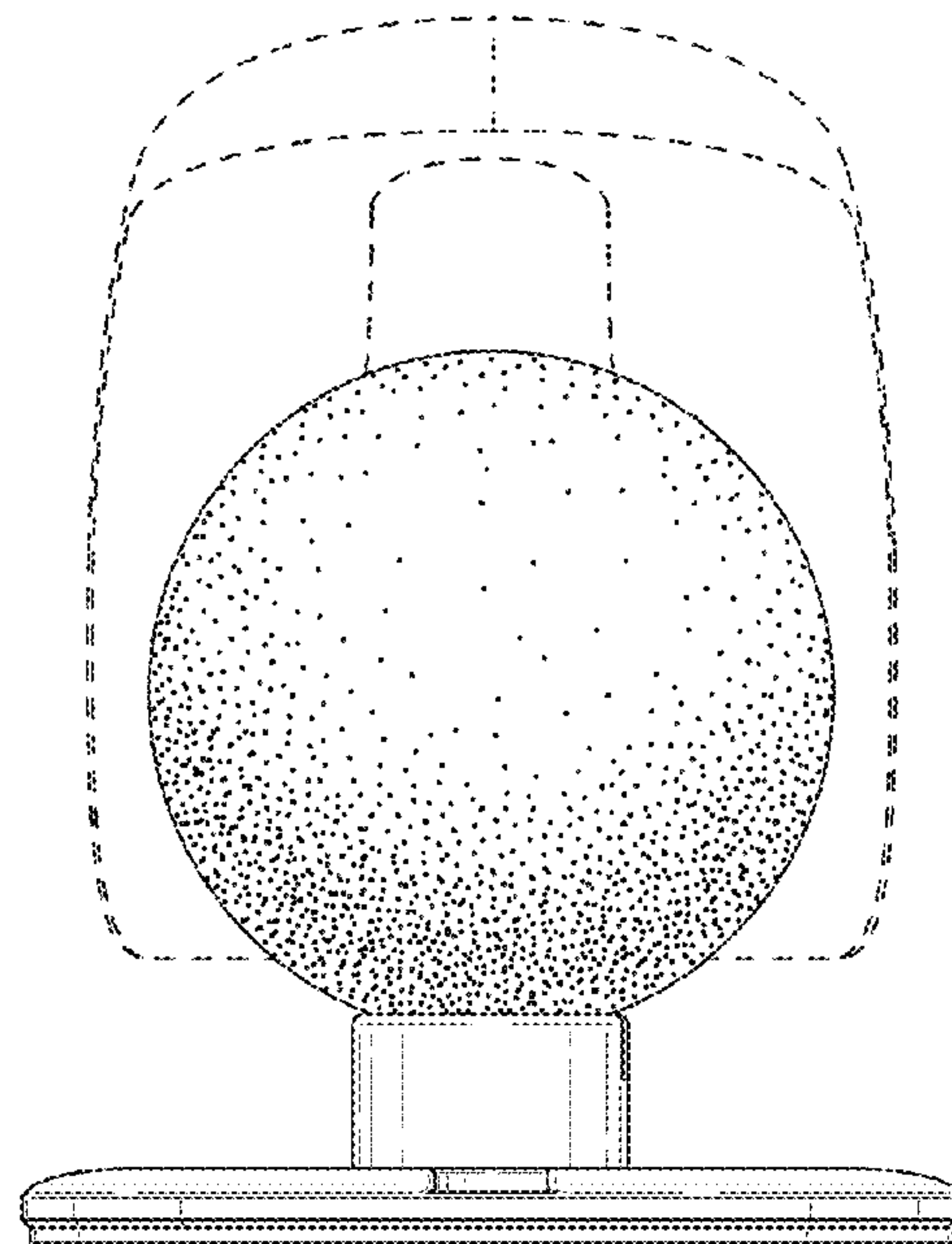


Fig. 11