



US00D683382S

(12) **United States Design Patent**
Tainaka

(10) **Patent No.:** **US D683,382 S**

(45) **Date of Patent:** **** May 28, 2013**

(54) **DIGITAL CAMERA BODY OF LENS REPLACING TYPE**

(75) Inventor: **Daisuke Tainaka**, Hachioji (JP)

(73) Assignee: **Olympus Imaging Corporation**, Tokyo (JP)

(**) Term: **14 Years**

(21) Appl. No.: **29/416,837**

(22) Filed: **Mar. 27, 2012**

(30) **Foreign Application Priority Data**

Jan. 24, 2012 (JP) 2012-001247

Jan. 24, 2012 (JP) 2012-001248

(51) **LOC (9) Cl.** **16-05**

(52) **U.S. Cl.**
USPC **D16/219; D16/200**

(58) **Field of Classification Search**
USPC . D16/200, 202, 204, 217, 218, 219; 348/373;
396/177, 354-359, 535, 540, 541

See application file for complete search history.

(56) **References Cited**

U.S. PATENT DOCUMENTS

D253,475 S *	11/1979	Kramer et al.	D16/217
D266,332 S *	9/1982	Schultes et al.	D16/217
4,406,533 A *	9/1983	Yamamoto 396/206	
D433,435 S *	11/2000	Hamamura D16/219	
D491,596 S *	6/2004	Haga D16/219	

* cited by examiner

Primary Examiner — Adir Aronovich

(74) *Attorney, Agent, or Firm* — Holtz, Holtz, Goodman & Chick, P.C.

(57) **CLAIM**

The ornamental design for a digital camera body of lens replacing type, as shown and described.

DESCRIPTION

FIG. 1 is a front, top and right side perspective view of a digital camera body of lens replacing type showing my new design;

FIG. 2 is a front elevational view thereof;

FIG. 3 is a rear elevational view thereof;

FIG. 4 is a top plan view thereof;

FIG. 5 is a bottom plan view thereof;

FIG. 6 is a right side elevational view thereof; and,

FIG. 7 is a left side elevational view thereof.

The broken line portions shown in the drawings are for illustrative purposes only and form no part of the claimed design.

1 Claim, 6 Drawing Sheets

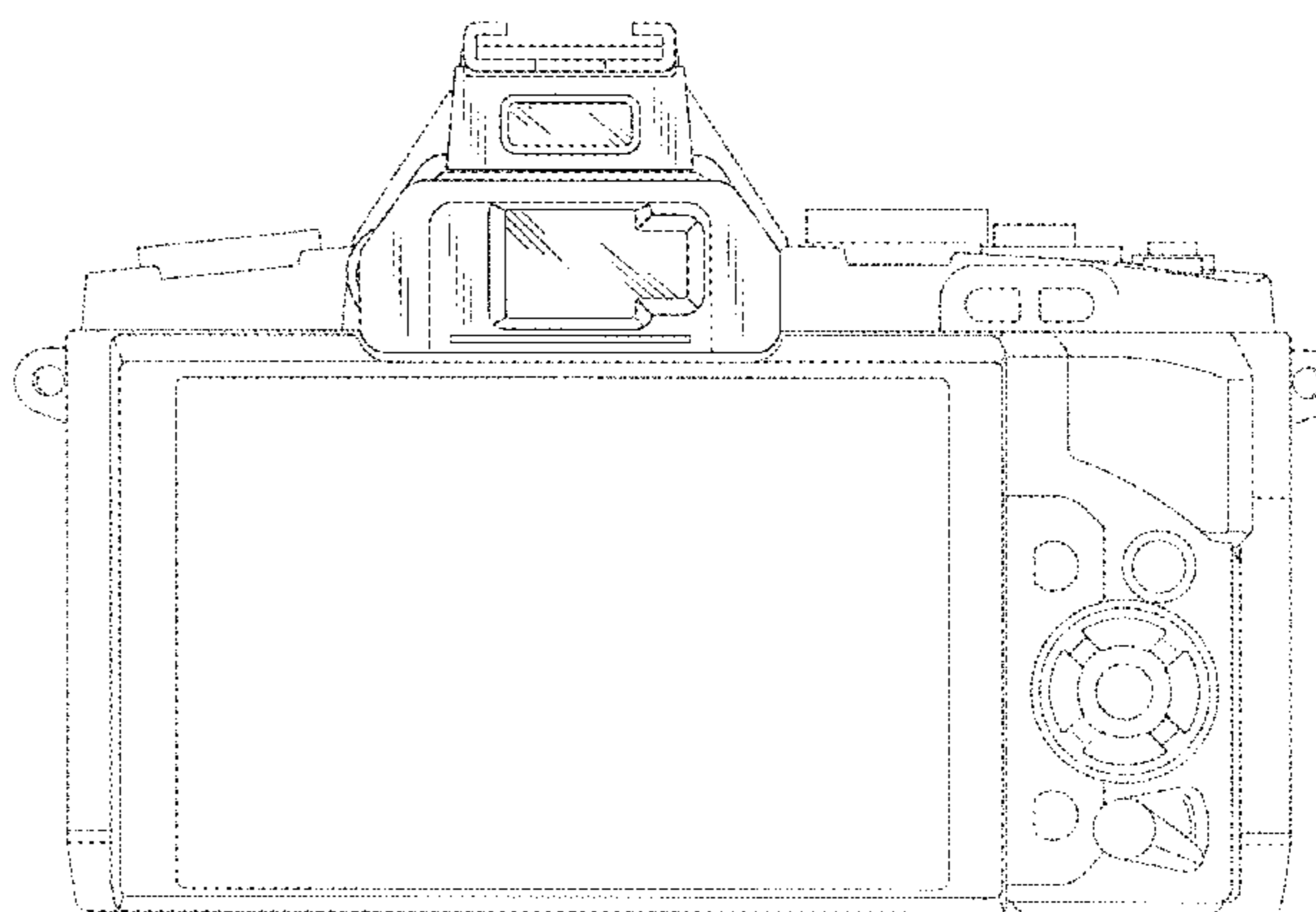
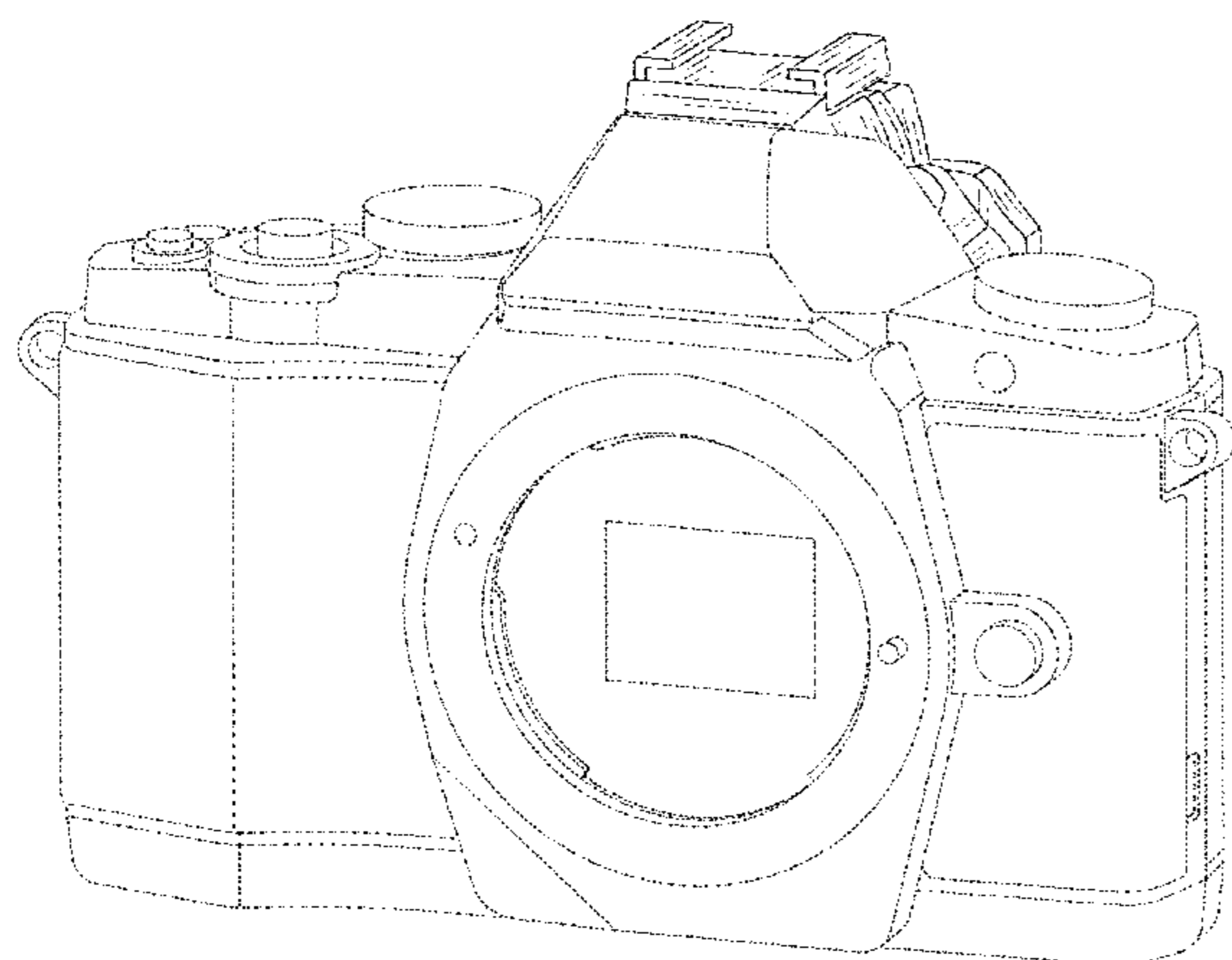


FIG.1

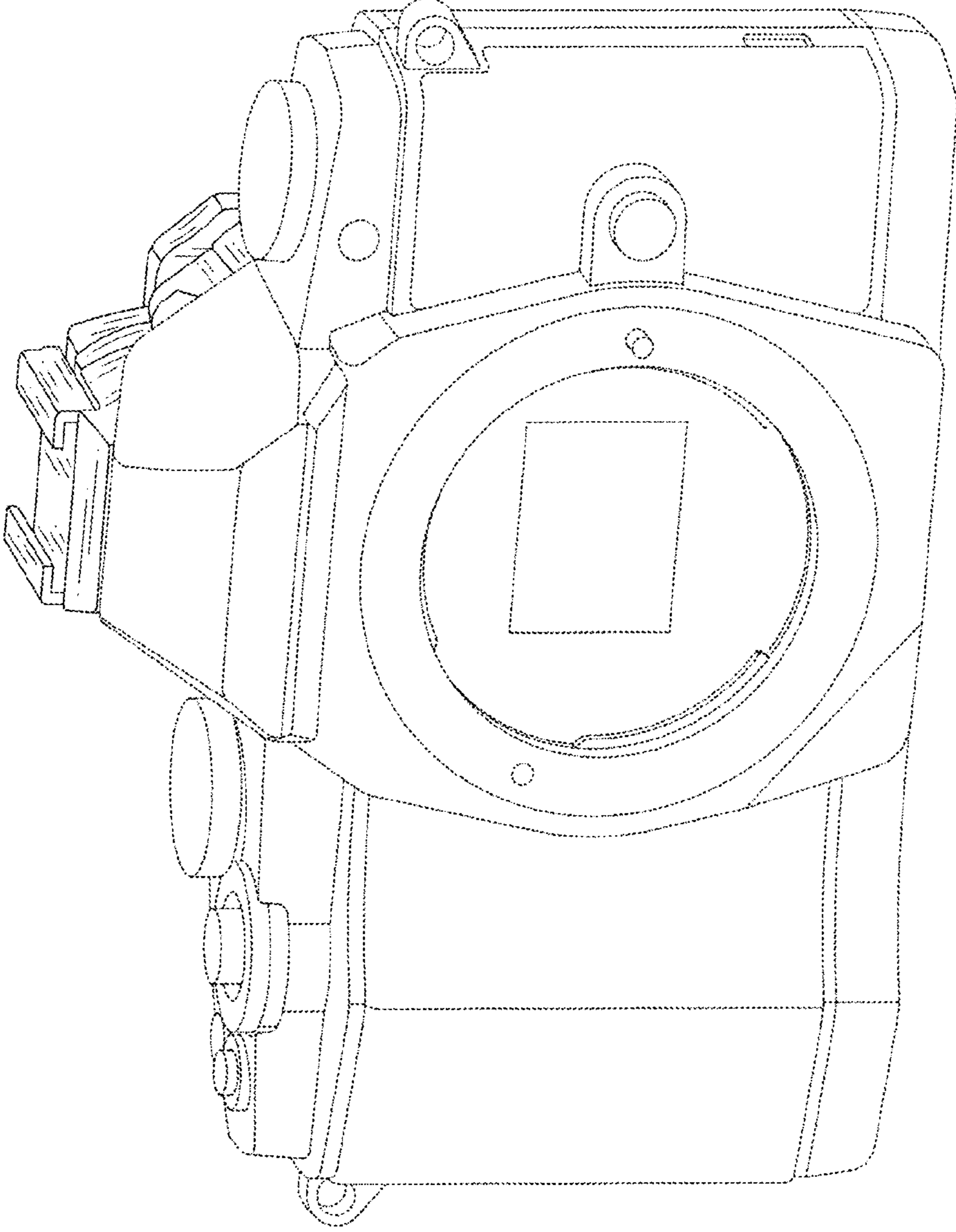


FIG.2

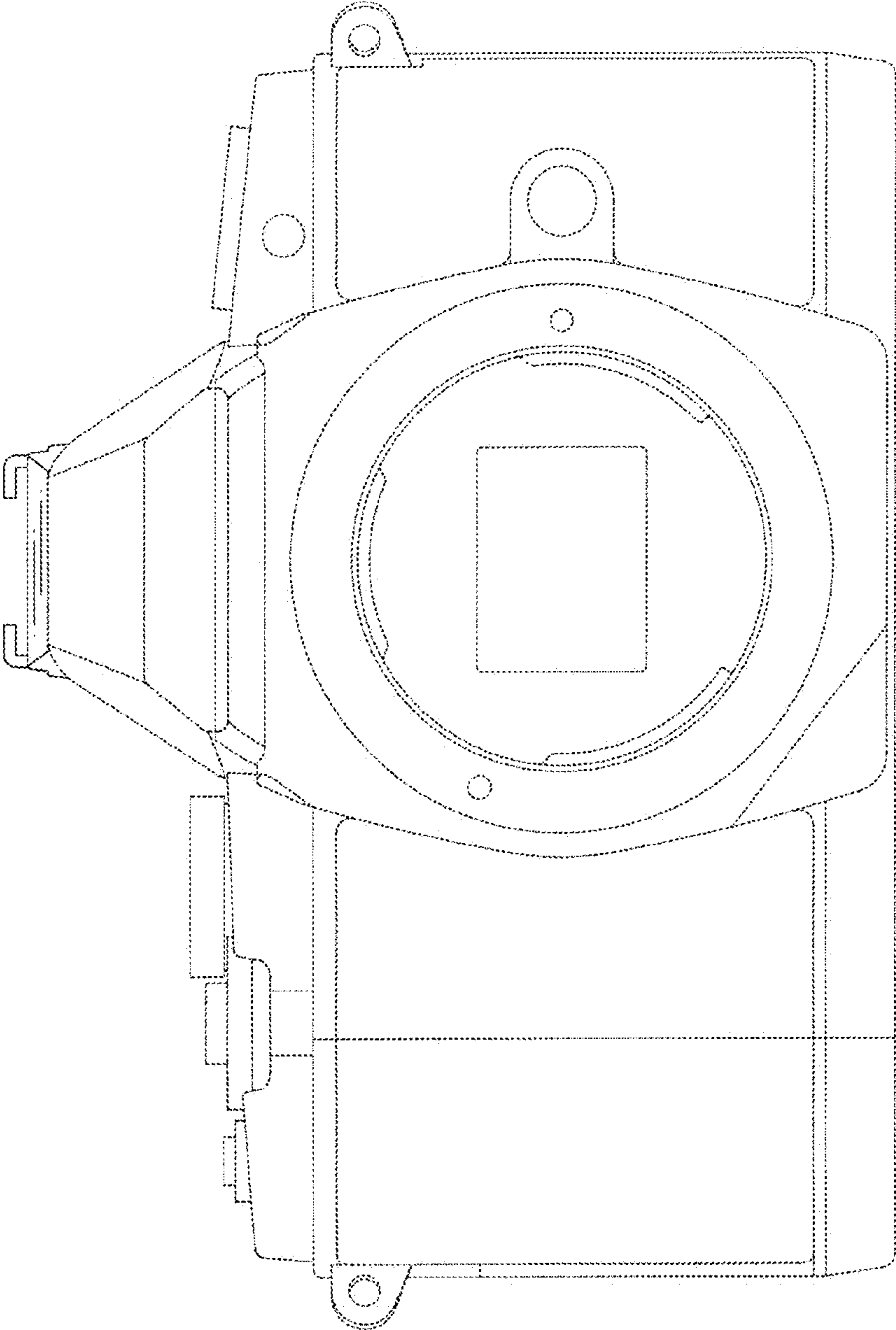


FIG. 3

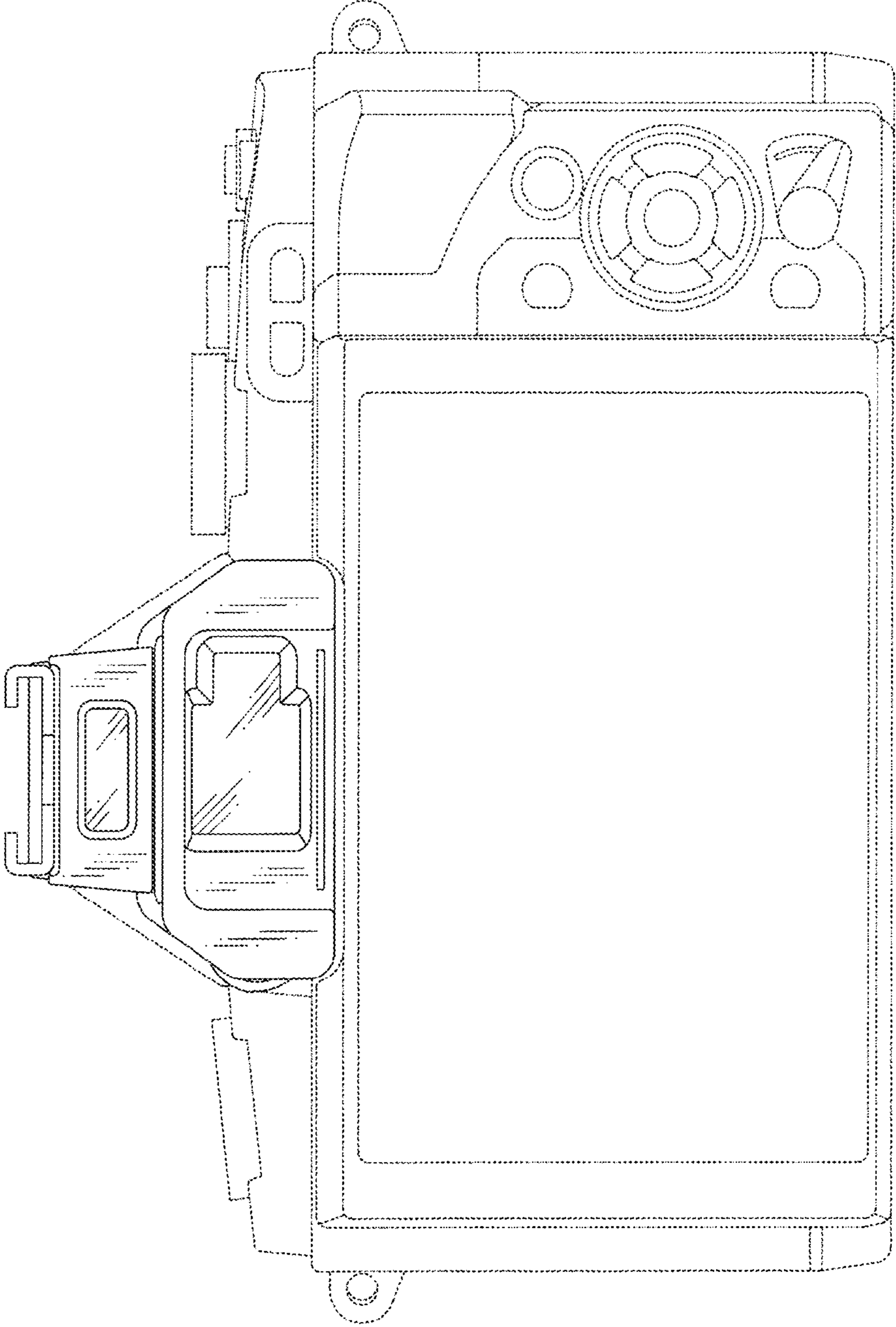


FIG.4

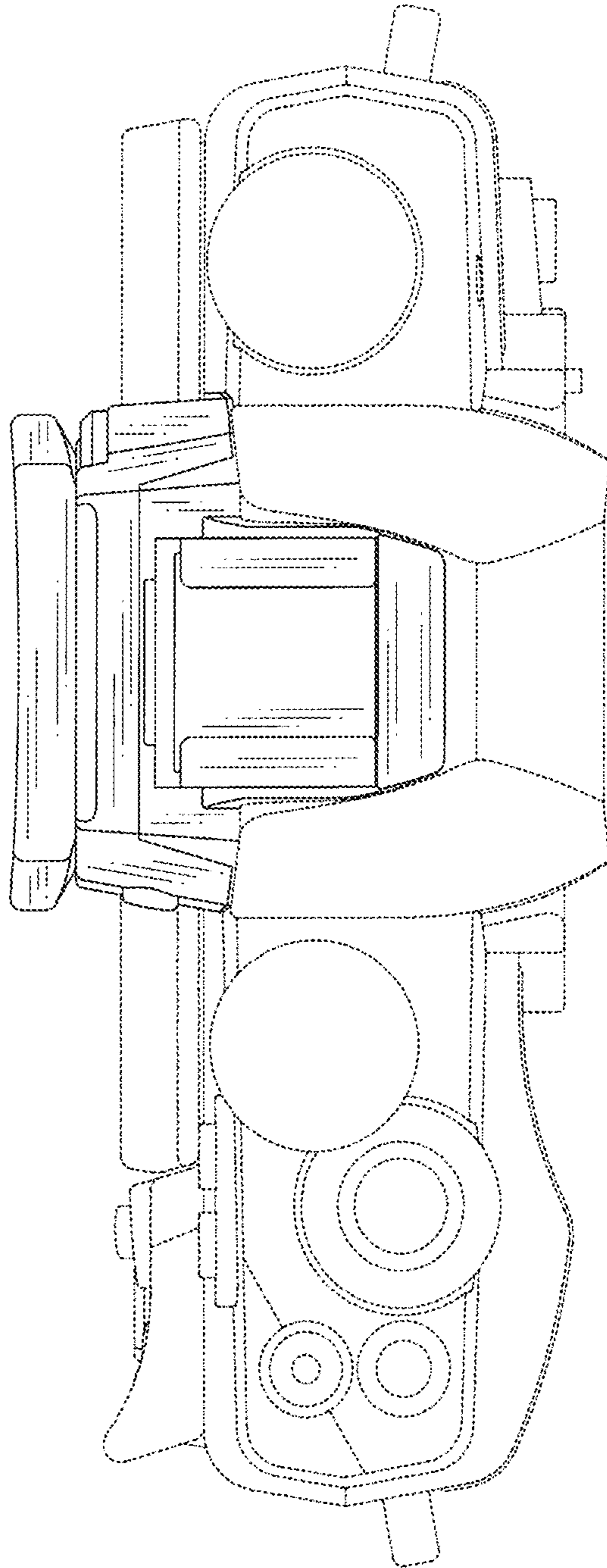


FIG. 5

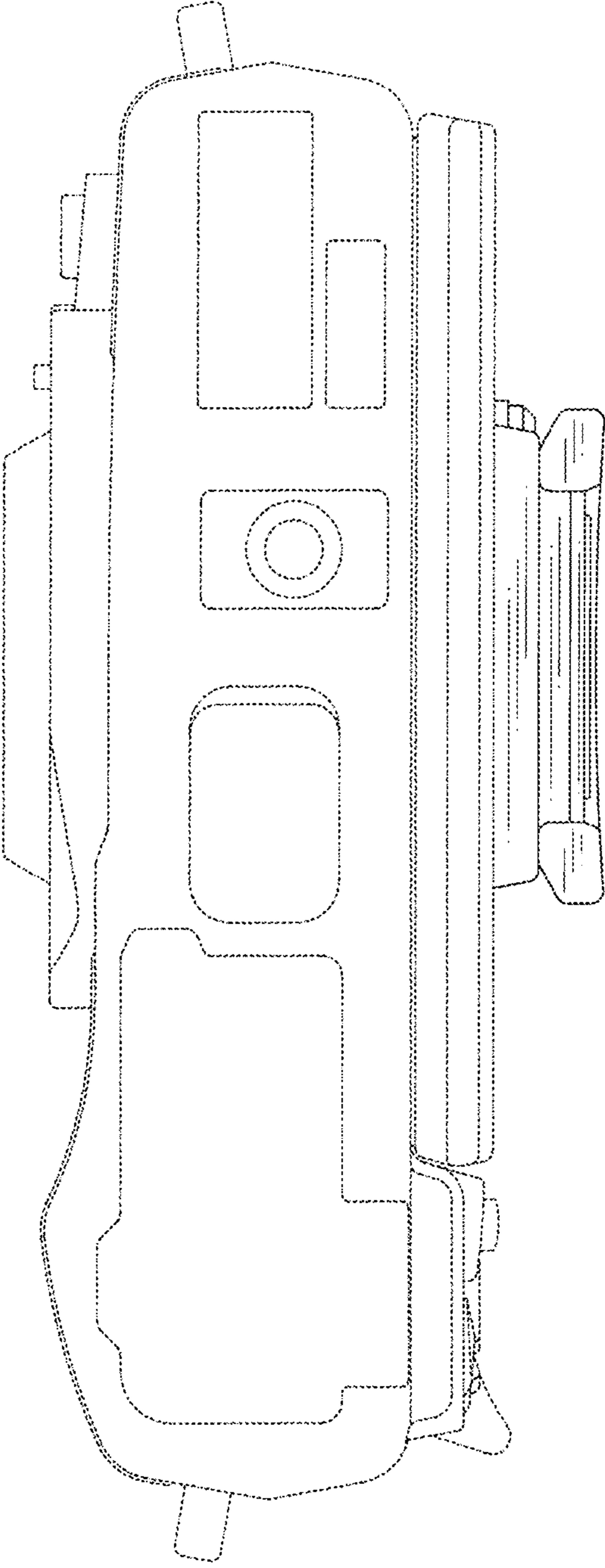


FIG.7

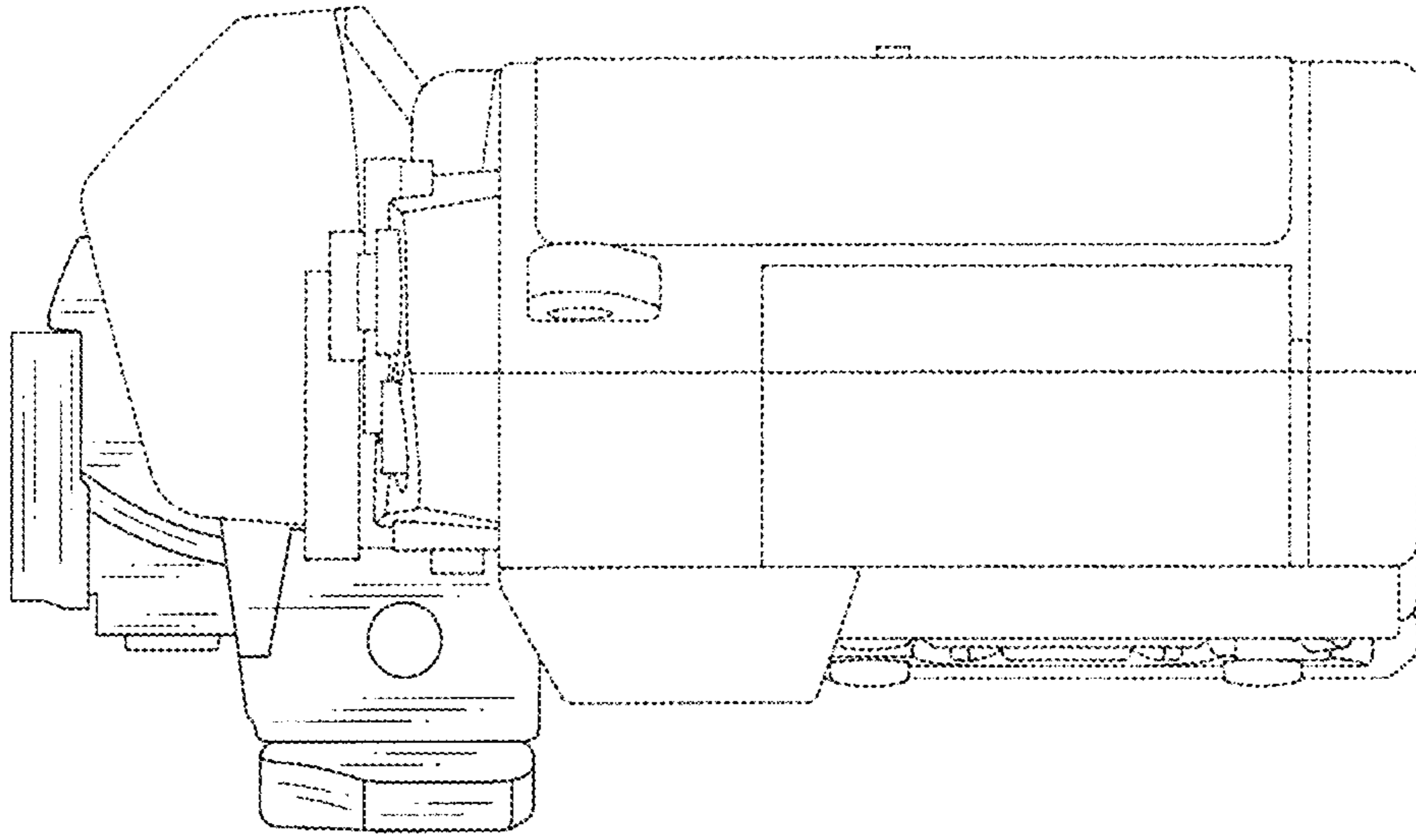


FIG.6

