



US00D683381S

(12) **United States Design Patent**  
**Asano**

(10) **Patent No.:** **US D683,381 S**  
(45) **Date of Patent:** **\*\* May 28, 2013**

(54) **CAMERA LENS**

(75) Inventor: **Hideaki Asano**, Chiba (JP)

(73) Assignee: **Nikon Corporation** (JP)

(\*\*) Term: **14 Years**

(21) Appl. No.: **29/415,243**

(22) Filed: **Mar. 8, 2012**

(30) **Foreign Application Priority Data**

Sep. 20, 2011 (JP) ..... 2011-021485  
Sep. 20, 2011 (JP) ..... 2011-021486

(51) **LOC (9) Cl.** ..... **16-05**

(52) **U.S. Cl.**  
USPC ..... **D16/219**

(58) **Field of Classification Search** ..... D16/134,  
D16/136, 200, 202, 204, 209, 218, 219; 348/373,  
348/374; 359/819, 826-828; 396/529-532,  
396/535, 540, 541

See application file for complete search history.

(56) **References Cited**

**U.S. PATENT DOCUMENTS**

4,357,090 A \* 11/1982 Araki ..... 396/529  
D302,984 S \* 8/1989 Kimura et al. .... D16/134  
D303,976 S \* 10/1989 Kimura et al. .... D16/134  
D331,589 S \* 12/1992 Yamamoto ..... D16/134  
D362,007 S \* 9/1995 Takahashi ..... D16/219

(Continued)

**FOREIGN PATENT DOCUMENTS**

JP D1293312 2/2007  
JP D1293871 2/2007  
JP D1293872 2/2007

*Primary Examiner* — Adir Aronovich

(74) *Attorney, Agent, or Firm* — Schwegman Lundberg & Woessner, P.A.

(57) **CLAIM**

The ornamental design for a camera lens, as shown and described.

**DESCRIPTION**

FIG. 1 is a top perspective view of a camera lens showing my new design;

FIG. 2 is a bottom perspective view of the camera lens;

FIG. 3 is a front elevational view of the camera lens;

FIG. 4 is a rear elevational view of the camera lens;

FIG. 5 is a top plan view of the camera lens;

FIG. 6 is a bottom plan view of the camera lens;

FIG. 7 is a right side elevational view of the camera lens;

FIG. 8 is a left side elevational view of the camera lens;

FIG. 9 is a top perspective view of a camera lens showing the second embodiment of our new design;

FIG. 10 is a bottom perspective view of the camera lens shown in FIG. 9;

FIG. 11 is a front elevational view of the camera lens shown in FIG. 9;

FIG. 12 is a rear elevational view of the camera lens shown in FIG. 9;

FIG. 13 is a top plan view of the camera lens shown in FIG. 9;

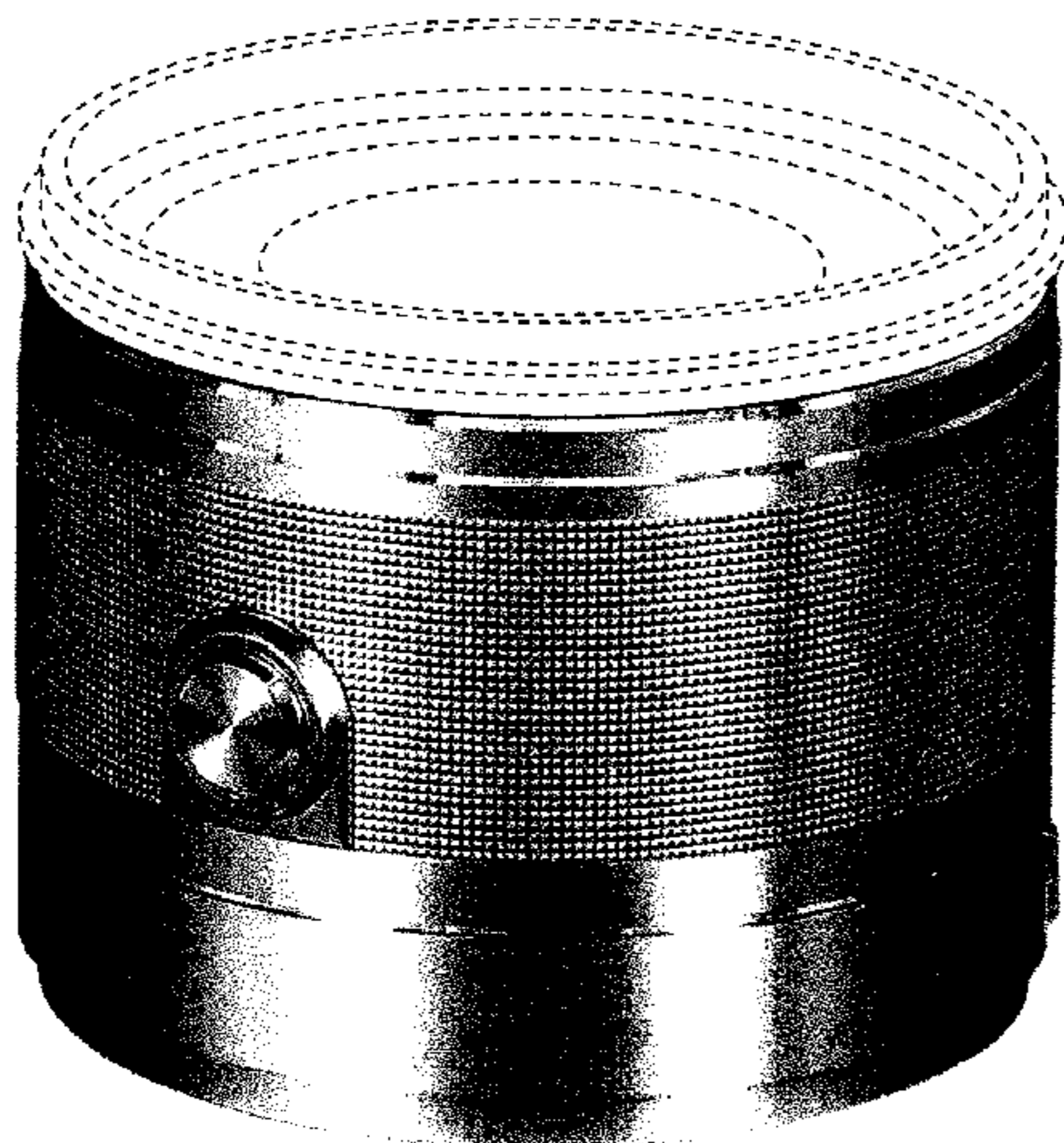
FIG. 14 is a bottom plan view of the camera lens shown in FIG. 9;

FIG. 15 is a right side elevational view of the camera lens shown in FIG. 9; and,

FIG. 16 is a left side elevational view of the camera lens shown in FIG. 9.

The broken lines depict environmental subject matter only and form no part of the claimed design.

**1 Claim, 16 Drawing Sheets**



# US D683,381 S

Page 2

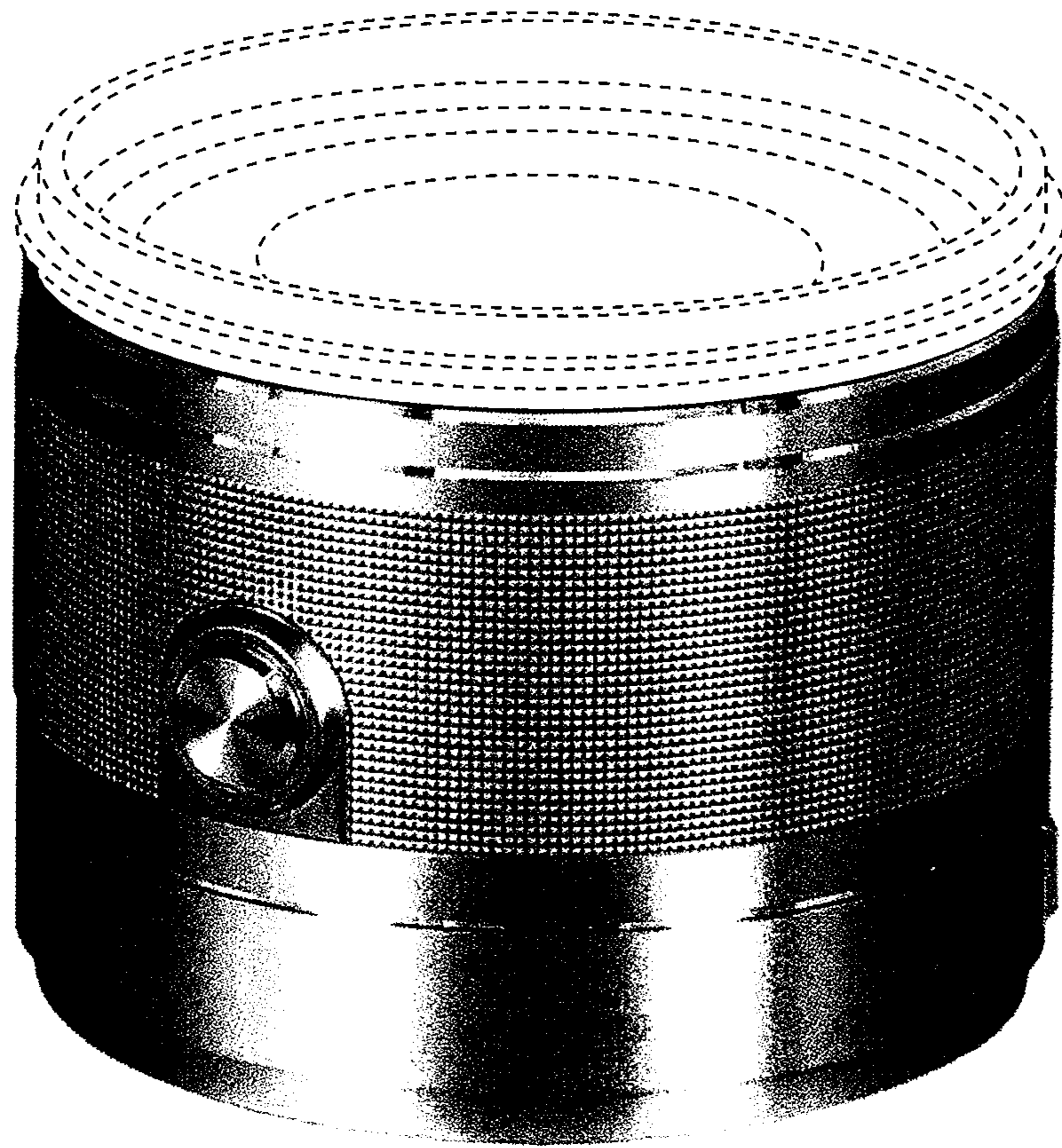
---

## U.S. PATENT DOCUMENTS

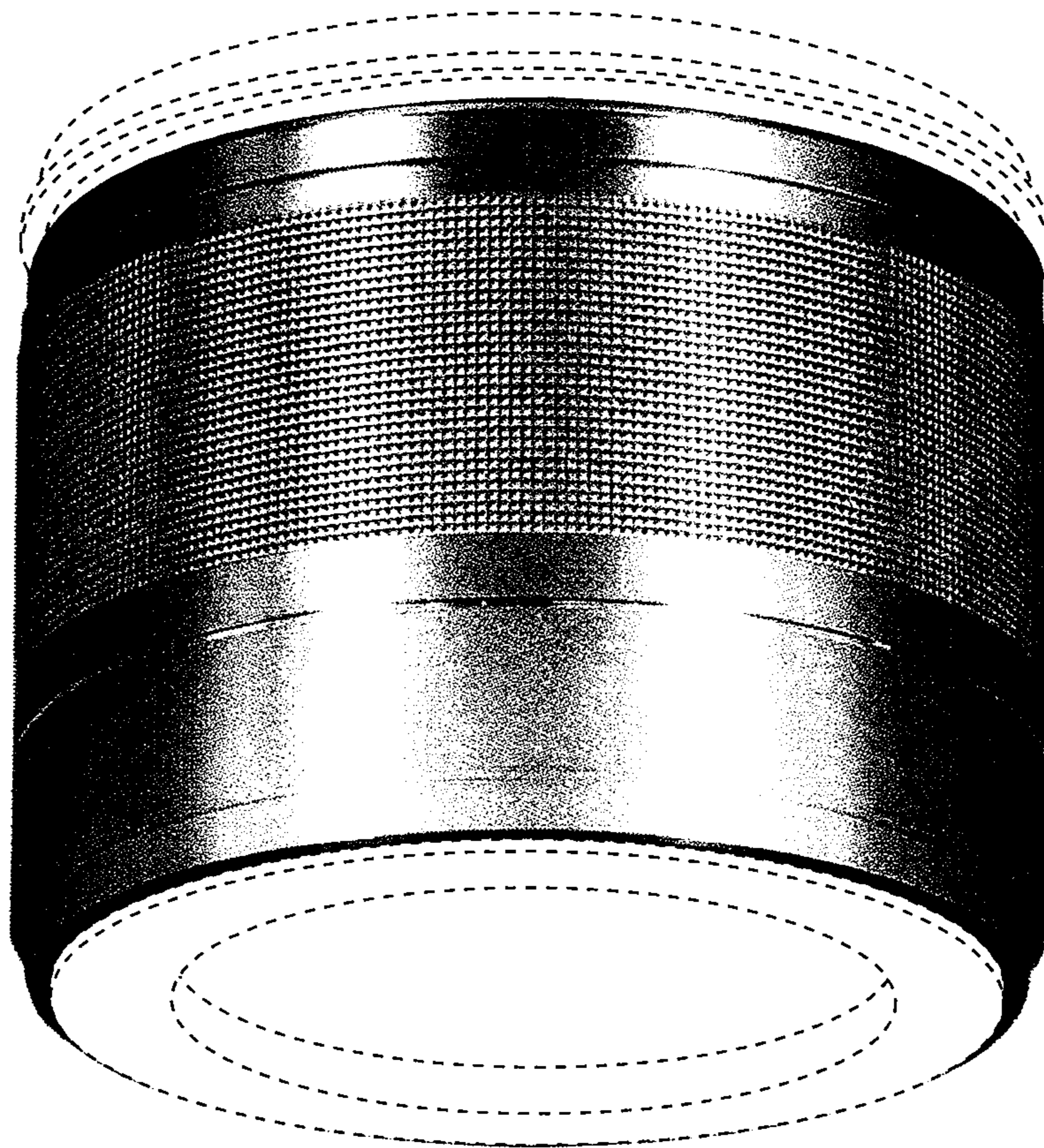
D428,428 S *	7/2000	Ono .....	D16/134		
D562,862 S *	2/2008	Yasutomi .....	D16/134	* cited by examiner	
				D566,158 S * 4/2008 Yasutomi .....	D16/219



*FIG. 1*

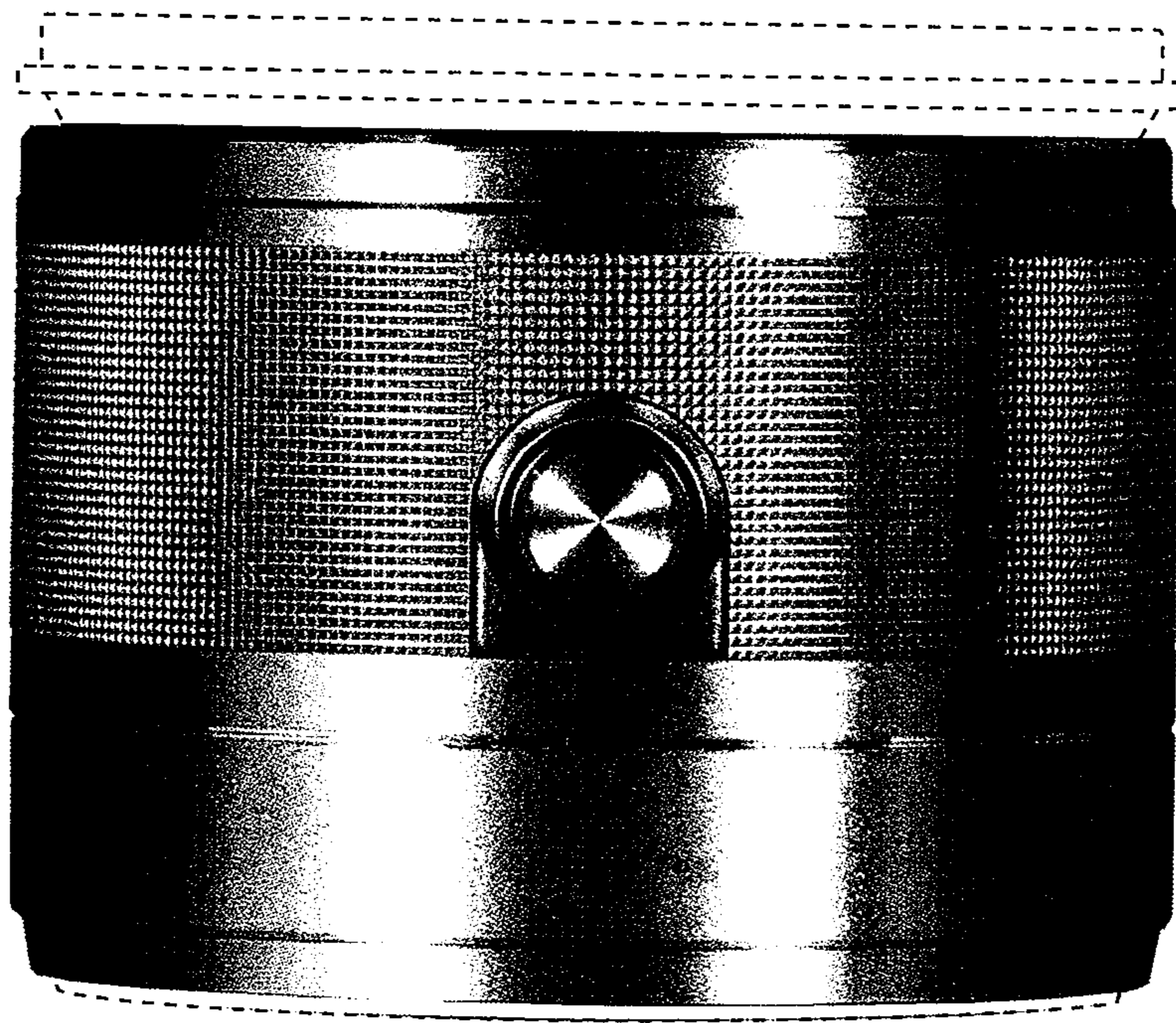


*FIG. 2*

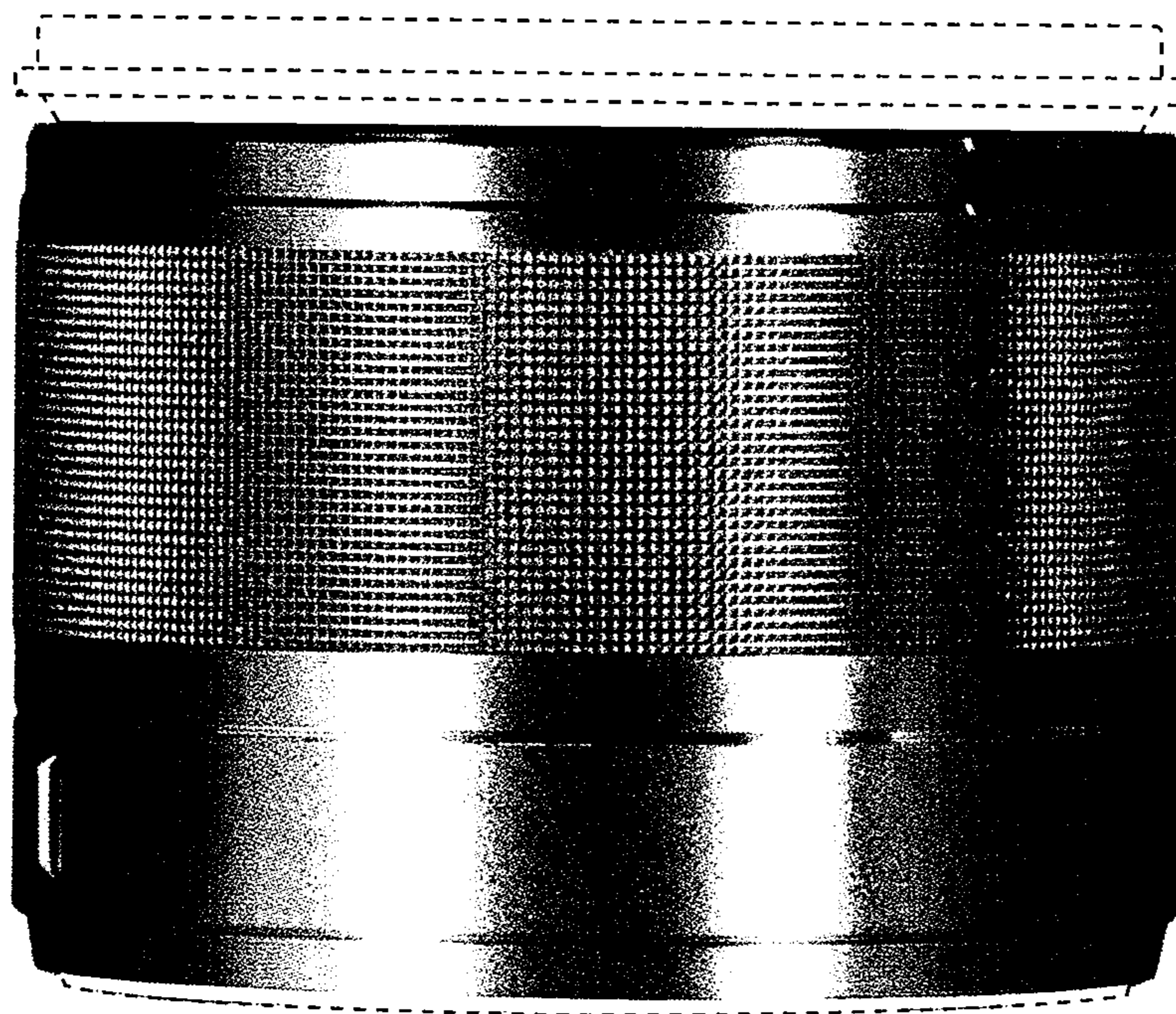




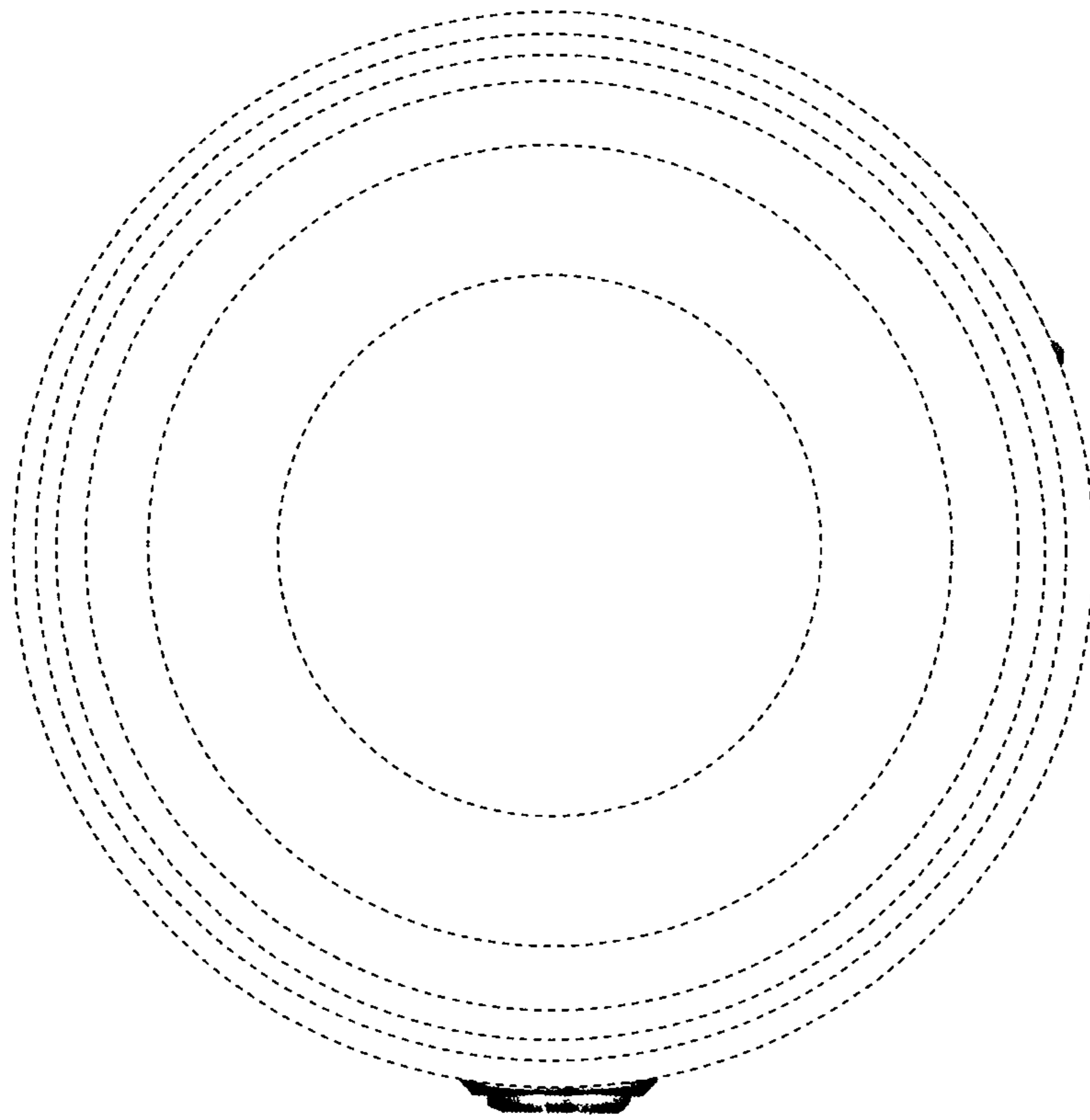
*FIG. 3*



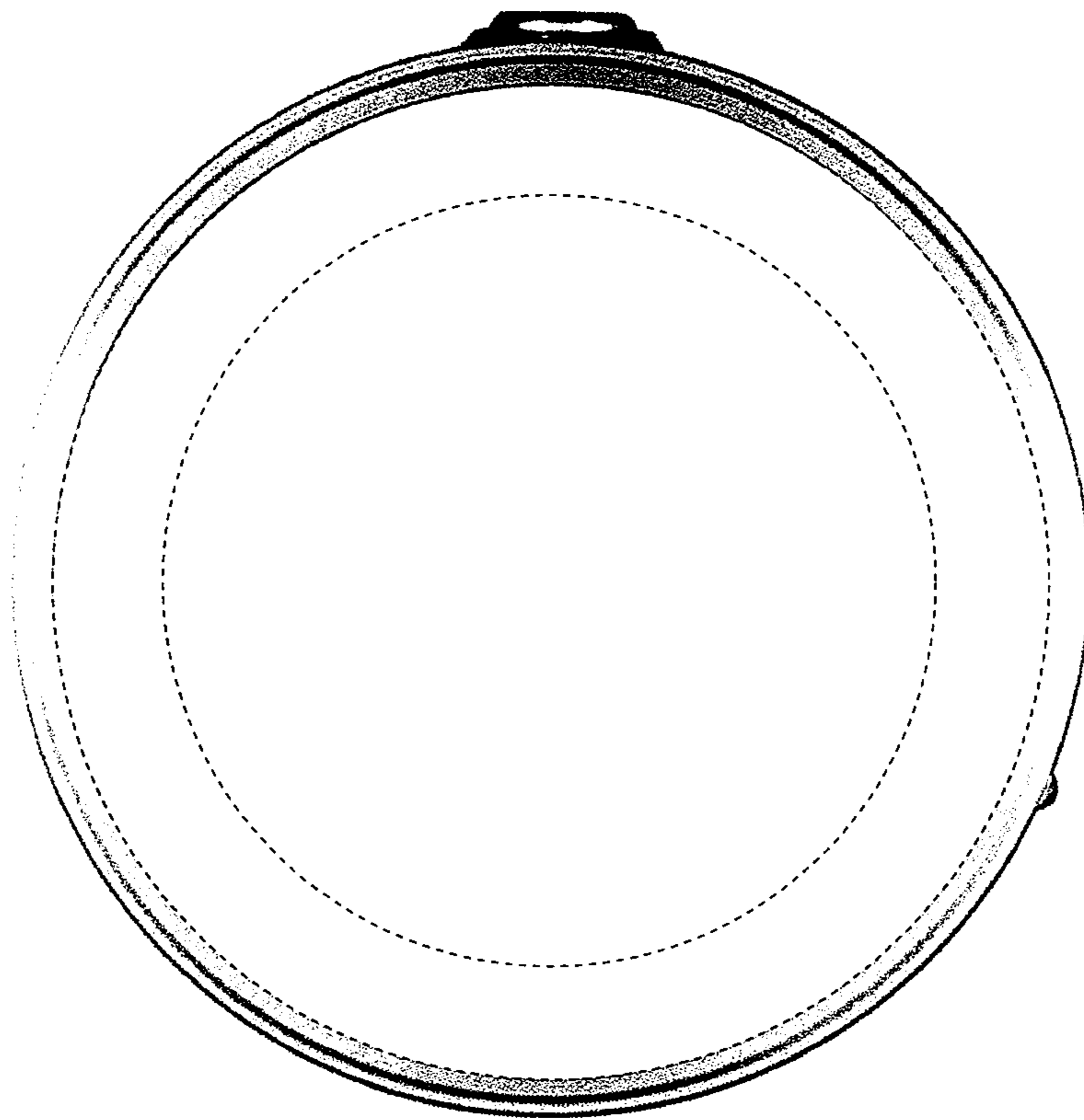
*FIG. 4*



***FIG. 5***

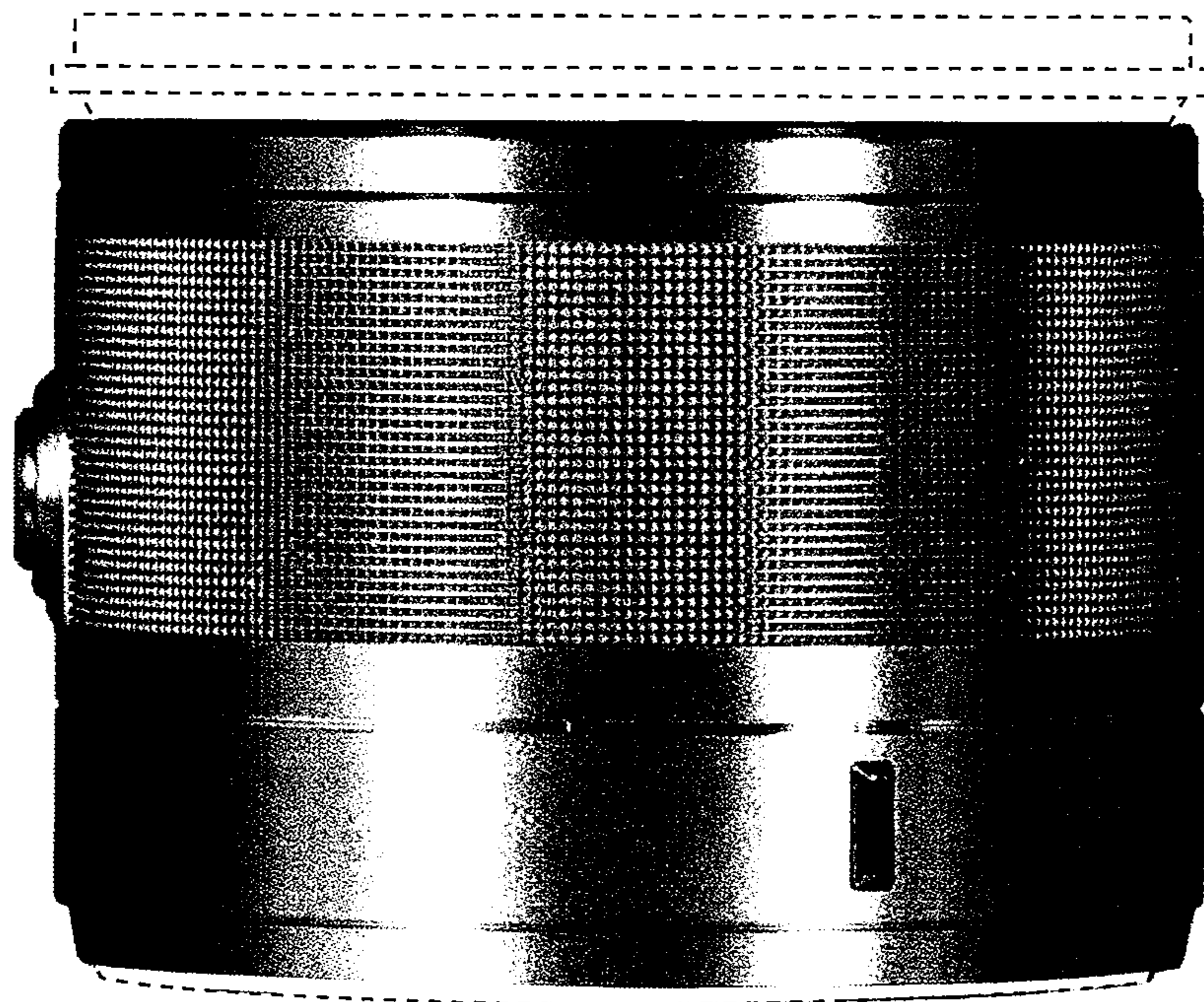


*FIG. 6*

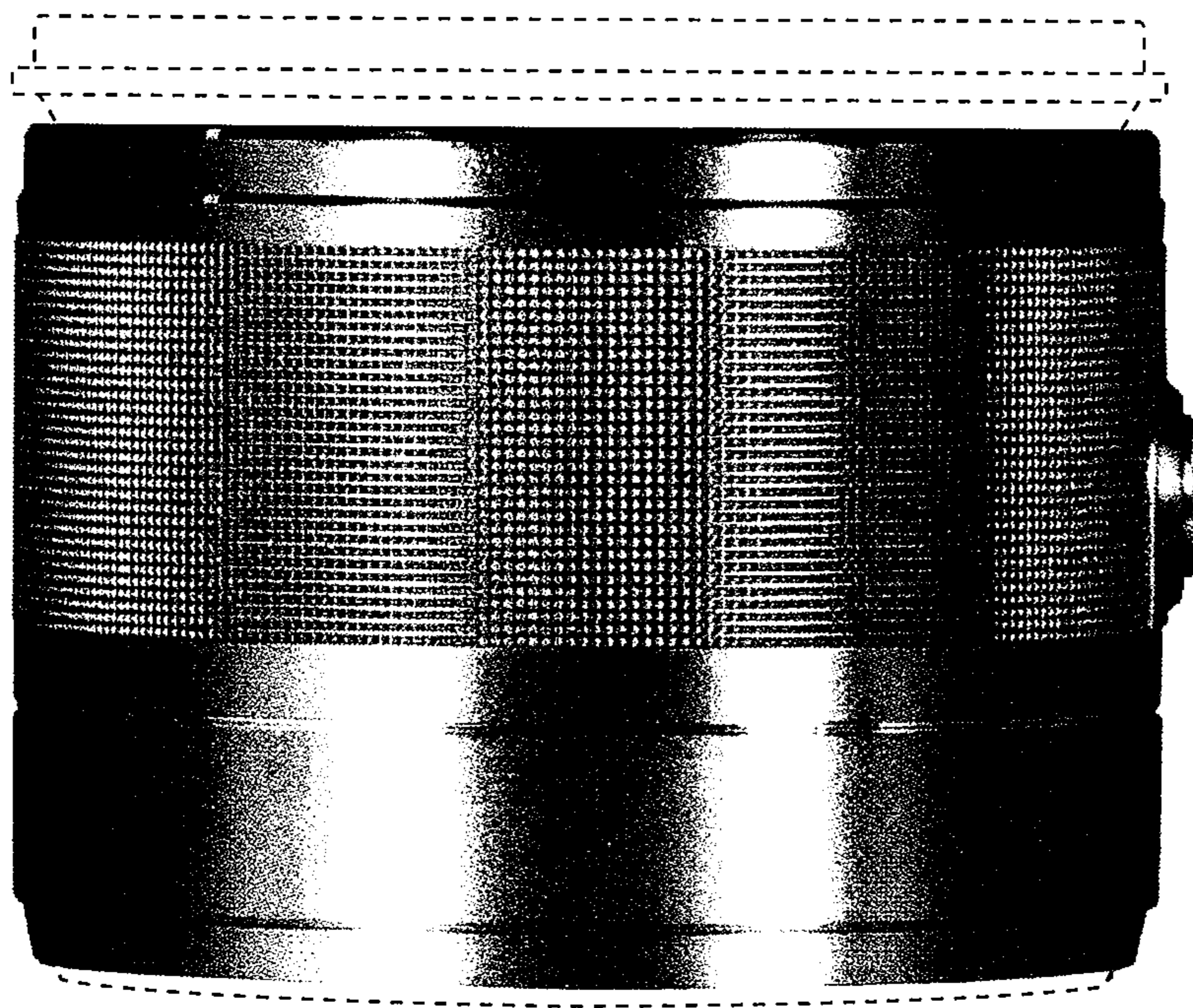




*FIG. 7*



*FIG. 8*





*FIG. 9*





*FIG. 10*



*FIG. 11*



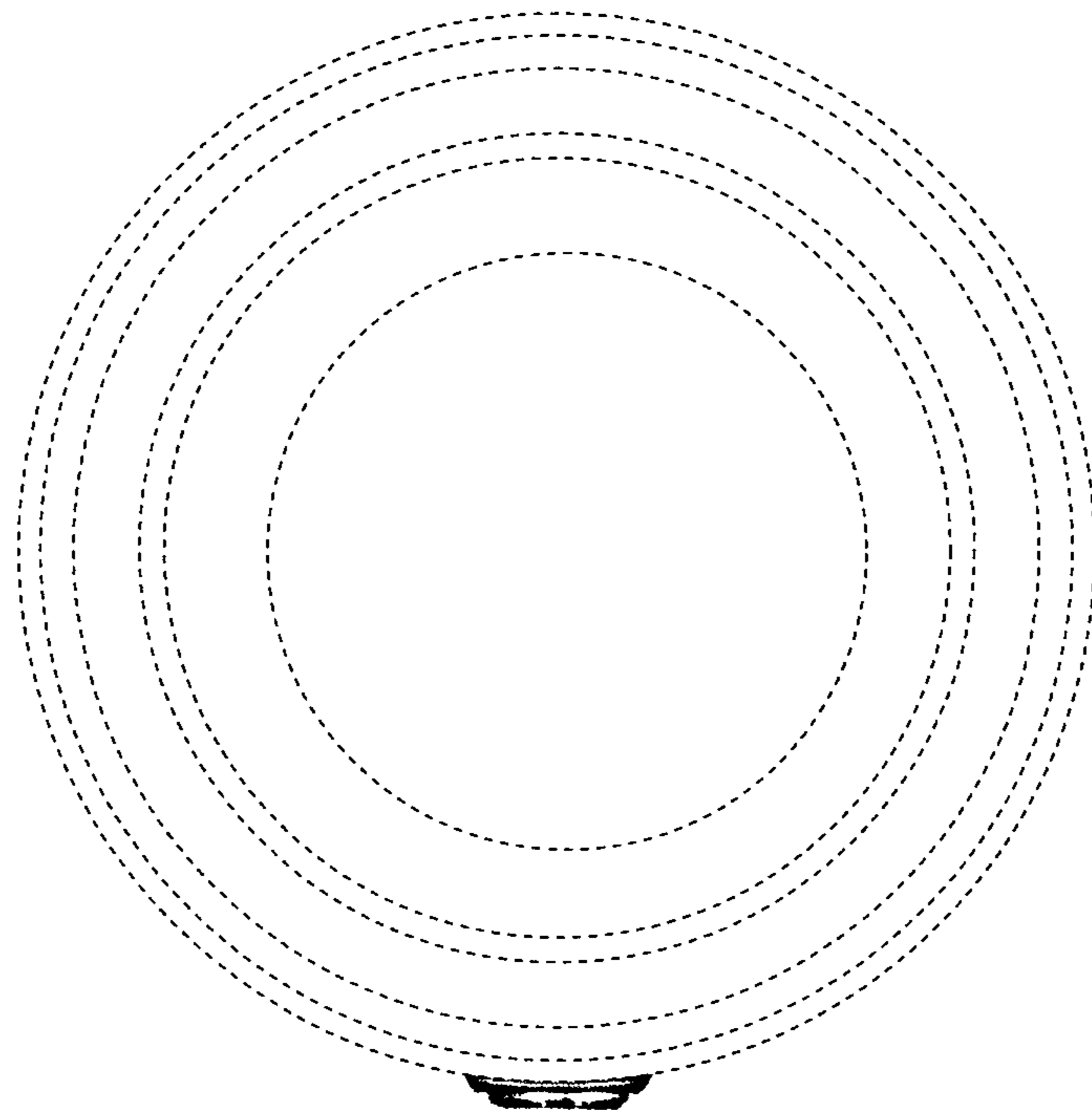


*FIG. 12*

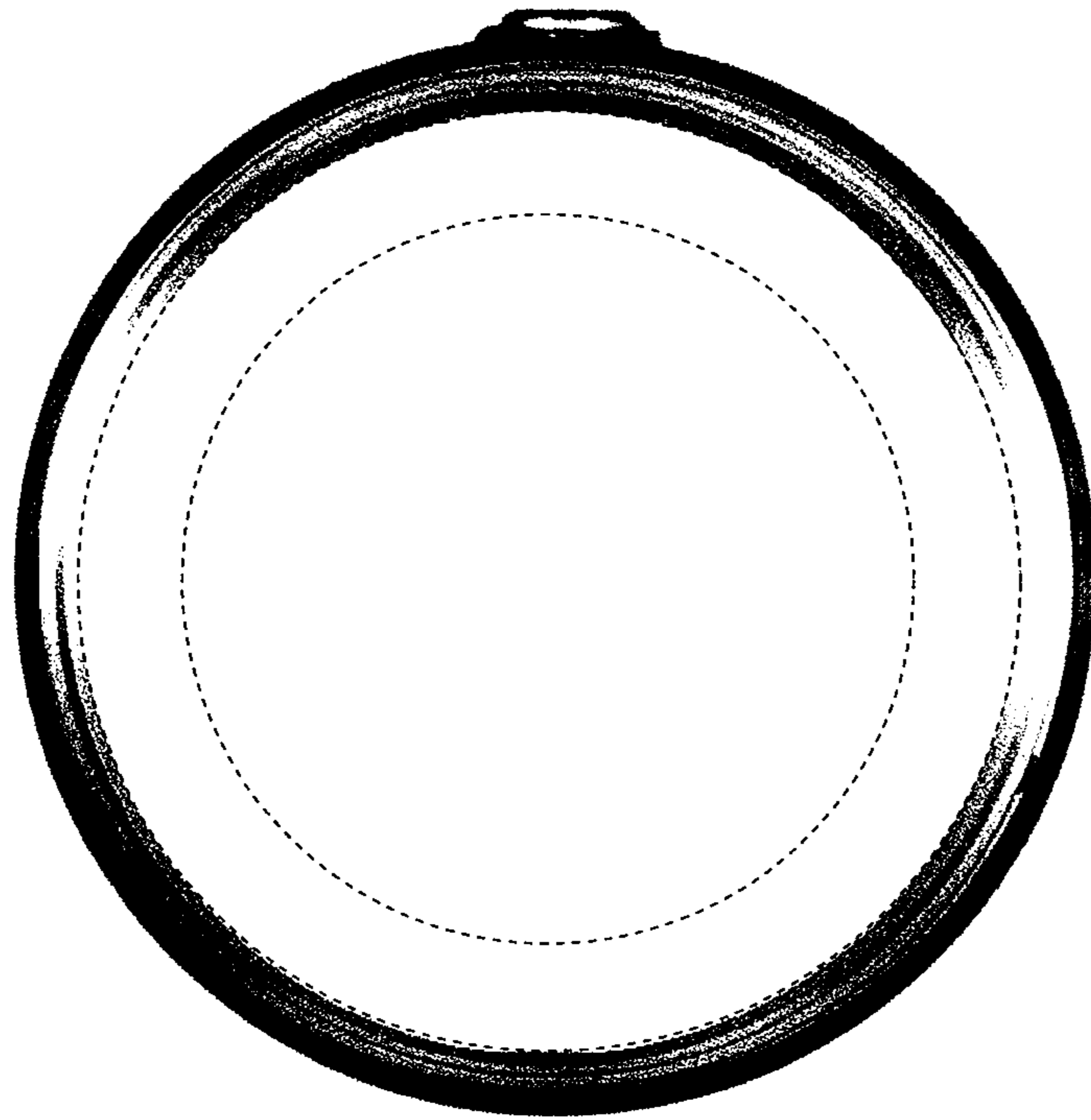




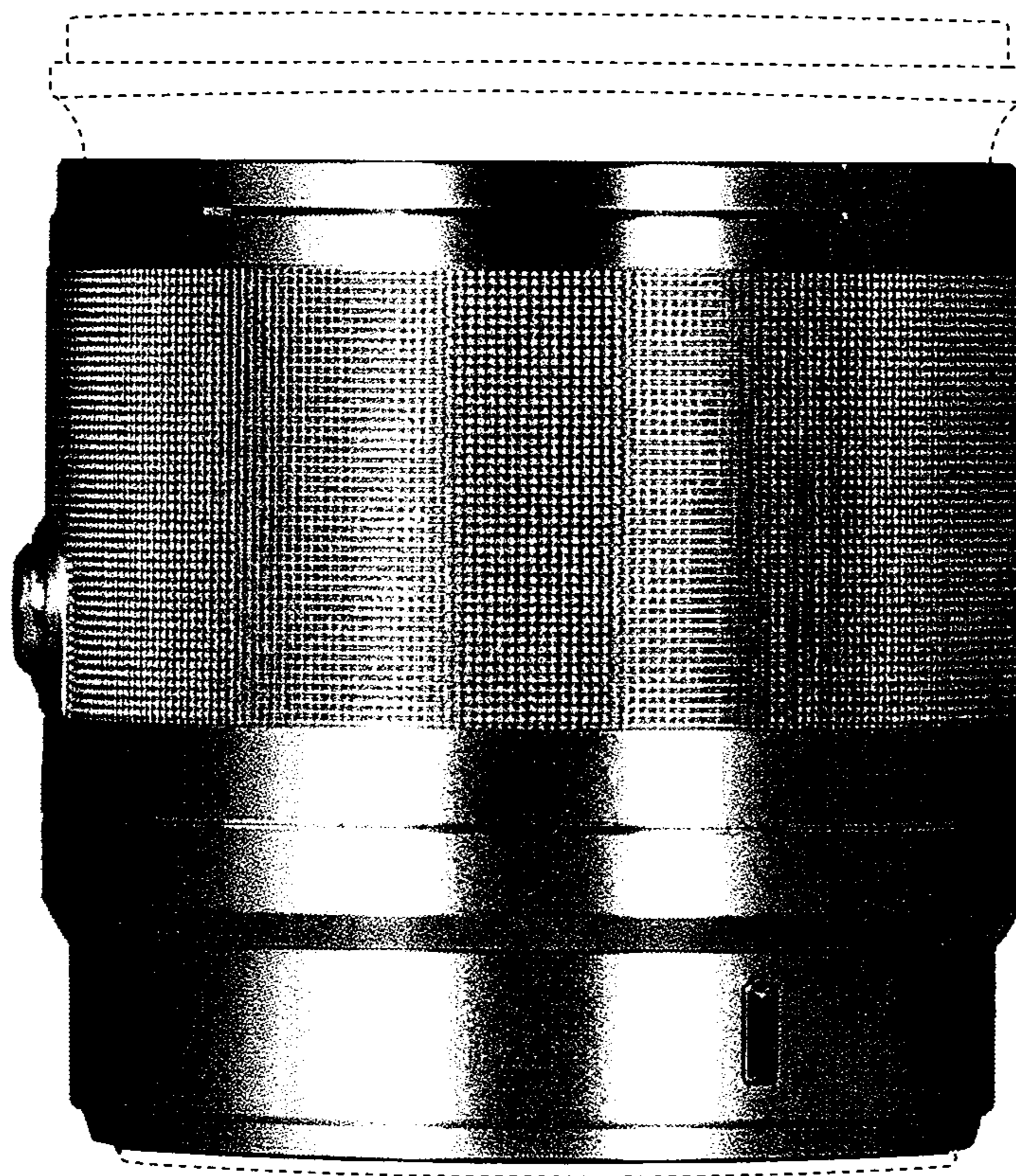
***FIG. 13***



*FIG. 14*

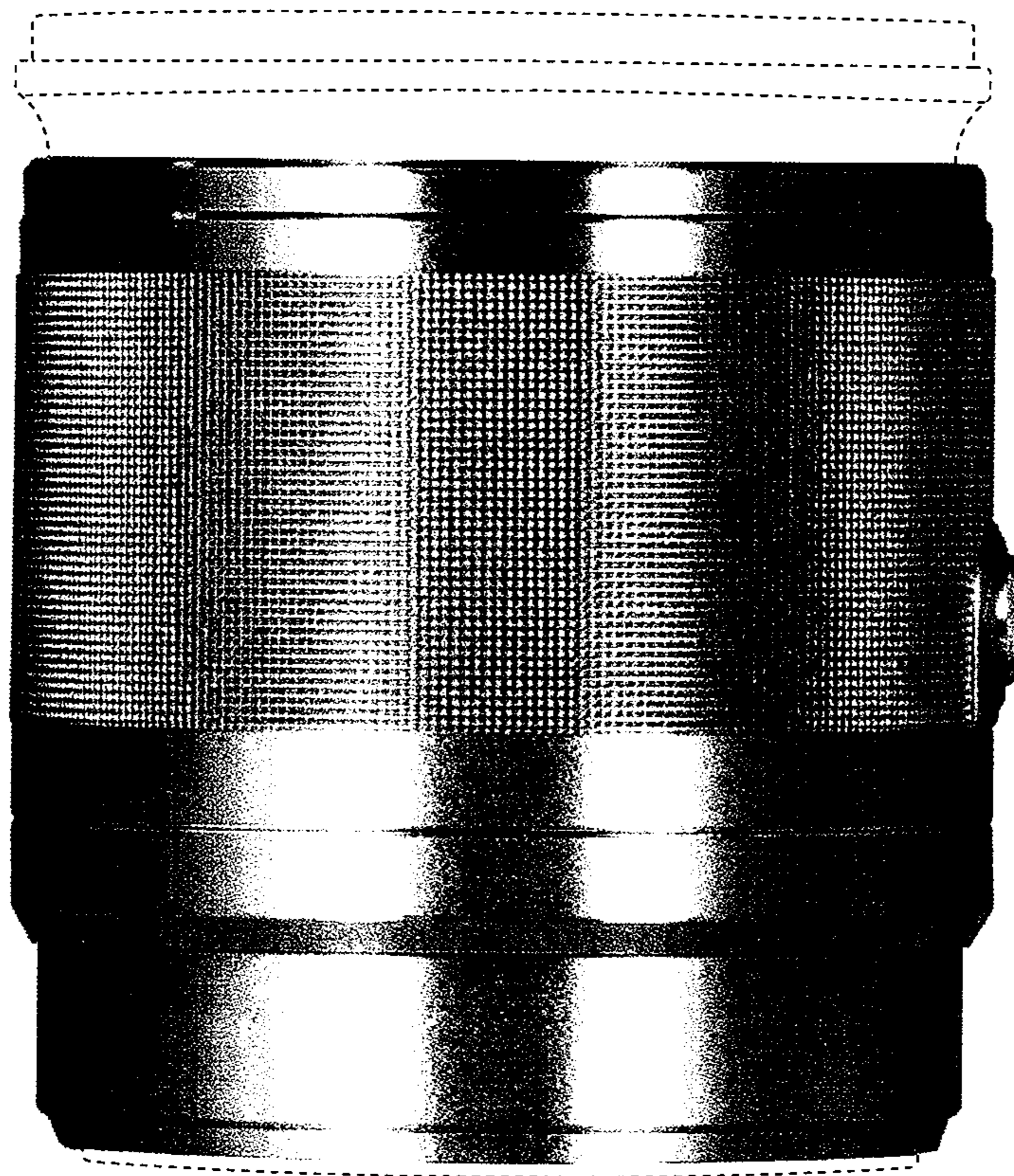


*FIG. 15*





*FIG. 16*



UNITED STATES PATENT AND TRADEMARK OFFICE  
**CERTIFICATE OF CORRECTION**

PATENT NO. : D683,381 S  
APPLICATION NO. : 29/415243  
DATED : May 28, 2013  
INVENTOR(S) : Hideaki Asano

Page 1 of 1

It is certified that error appears in the above-identified patent and that said Letters Patent is hereby corrected as shown below:

On the Title page, in column 1, under “(75) Inventors”, line 1, delete “Chiba” and insert --Chiba-Shi--, therefor

On the Title page, in column 2, the Description, item (57), line 22, delete “and,” and insert --and--, therefor

Signed and Sealed this  
Twenty-ninth Day of December, 2015



Michelle K. Lee  
*Director of the United States Patent and Trademark Office*