



US00D683380S

(12) **United States Design Patent**
Asano et al.

(10) **Patent No.:** **US D683,380 S**
(45) **Date of Patent:** **** May 28, 2013**

(54) **CAMERA LENS**

(75) Inventors: **Hideaki Asano**, Chiba (JP); **Akio Shindate**, London (GB)

(73) Assignee: **Nikon Corporation** (JP)

(**) **Term:** **14 Years**

(21) Appl. No.: **29/415,232**

(22) Filed: **Mar. 8, 2012**

(30) **Foreign Application Priority Data**

Sep. 20, 2011 (JP) 2011-021490

(51) **LOC (9) Cl.** **16-05**

(52) **U.S. Cl.**
USPC **D16/219**

(58) **Field of Classification Search**
USPC D16/134, 136, 200, 202, 204, 209,
D16/218, 219; 348/373, 374; 359/819,
826-828; 396/529-532, 535, 540, 541
See application file for complete search history.

(56) **References Cited**

U.S. PATENT DOCUMENTS

D248,766 S * 8/1978 Arai D16/134
4,118,713 A * 10/1978 Murakami et al. 396/529
D302,169 S * 7/1989 Kimura et al. D16/134
D427,221 S * 6/2000 Ono D16/219
D562,865 S * 2/2008 Yasutomi D16/219

D665,837 S * 8/2012 Tainaka D16/219
8,308,380 B2 * 11/2012 Youn 359/828
2012/0039595 A1 * 2/2012 Youn 396/529

FOREIGN PATENT DOCUMENTS

JP D1293312 2/2007
JP D1293871 2/2007
JP D1293872 2/2007

* cited by examiner

Primary Examiner — Adir Aronovich

(74) *Attorney, Agent, or Firm* — Schwegman Lundberg & Woessner, P.A.

(57) **CLAIM**

The ornamental design for a camera lens, as shown and described.

DESCRIPTION

FIG. 1 is a perspective view of a camera lens showing our new design;
FIG. 2 is a front elevational view of the camera lens;
FIG. 3 is a rear elevational view of the camera lens;
FIG. 4 is a top plan view of the camera lens;
FIG. 5 is a bottom plan view of the camera lens;
FIG. 6 is a right side elevational view of the camera lens; and,
FIG. 7 is a left side elevational view of the camera lens.
The broken lines depict environmental subject matter only and form no part of the claimed design.

1 Claim, 7 Drawing Sheets

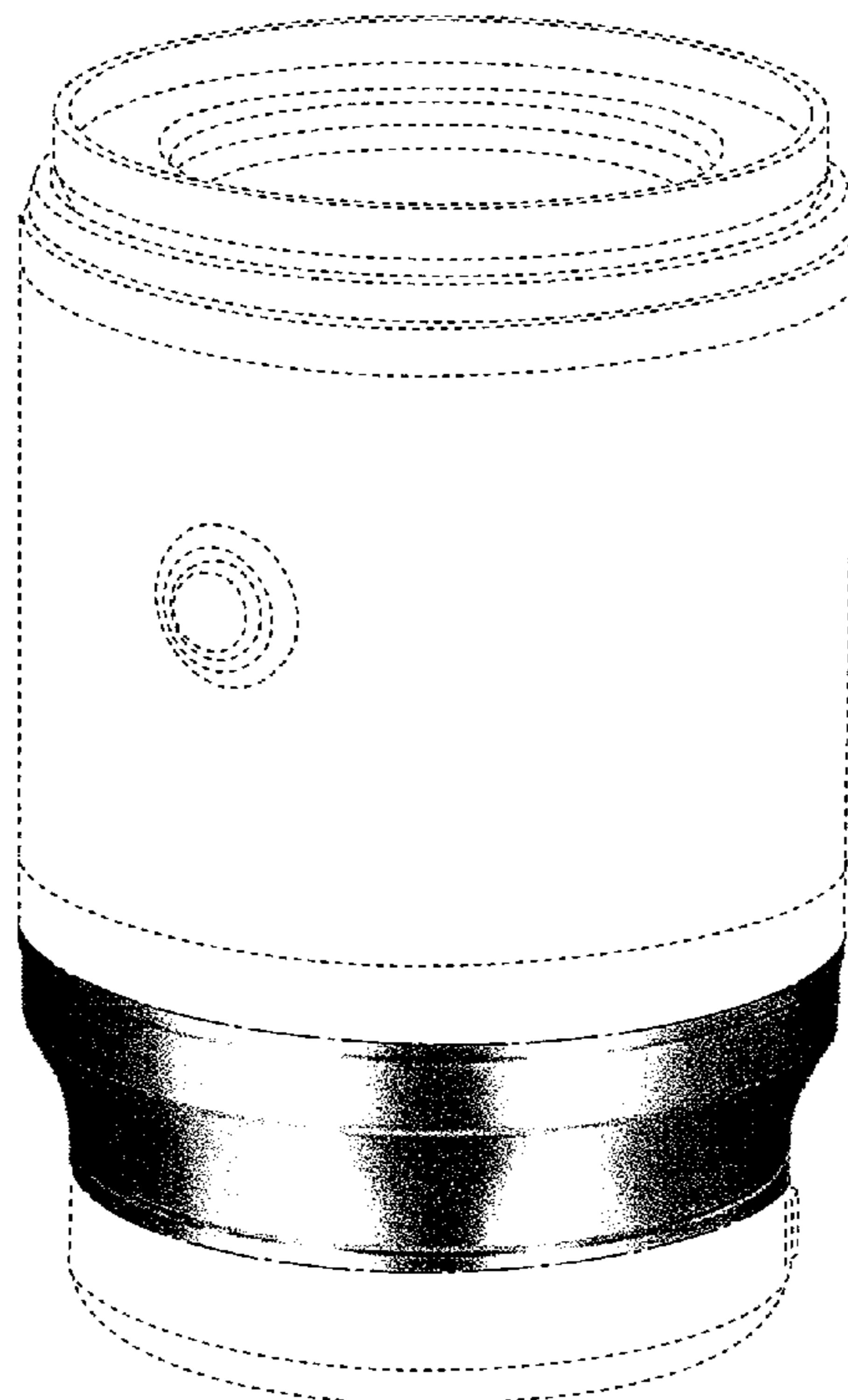


FIG. 1

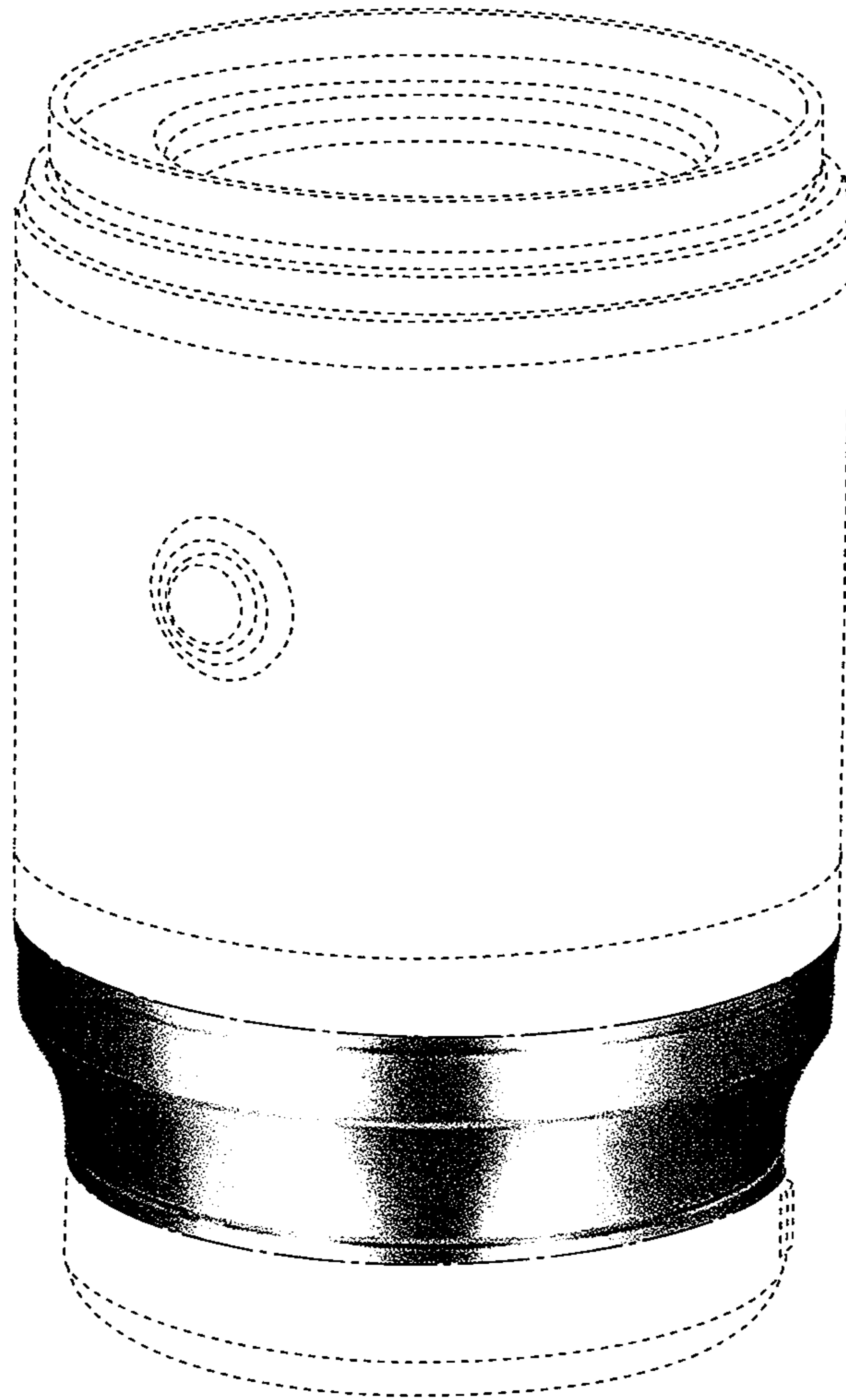


FIG. 2

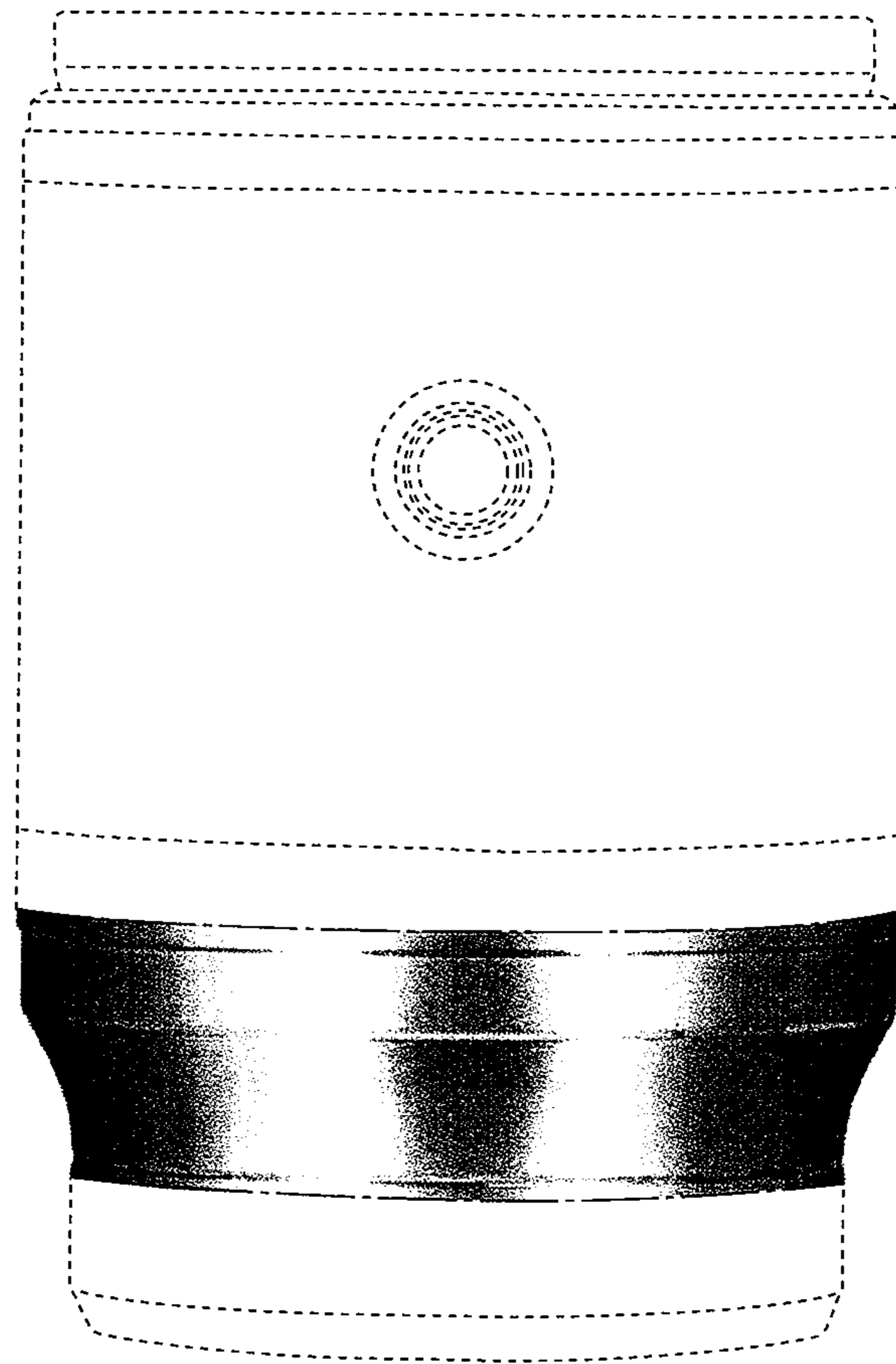


FIG. 3

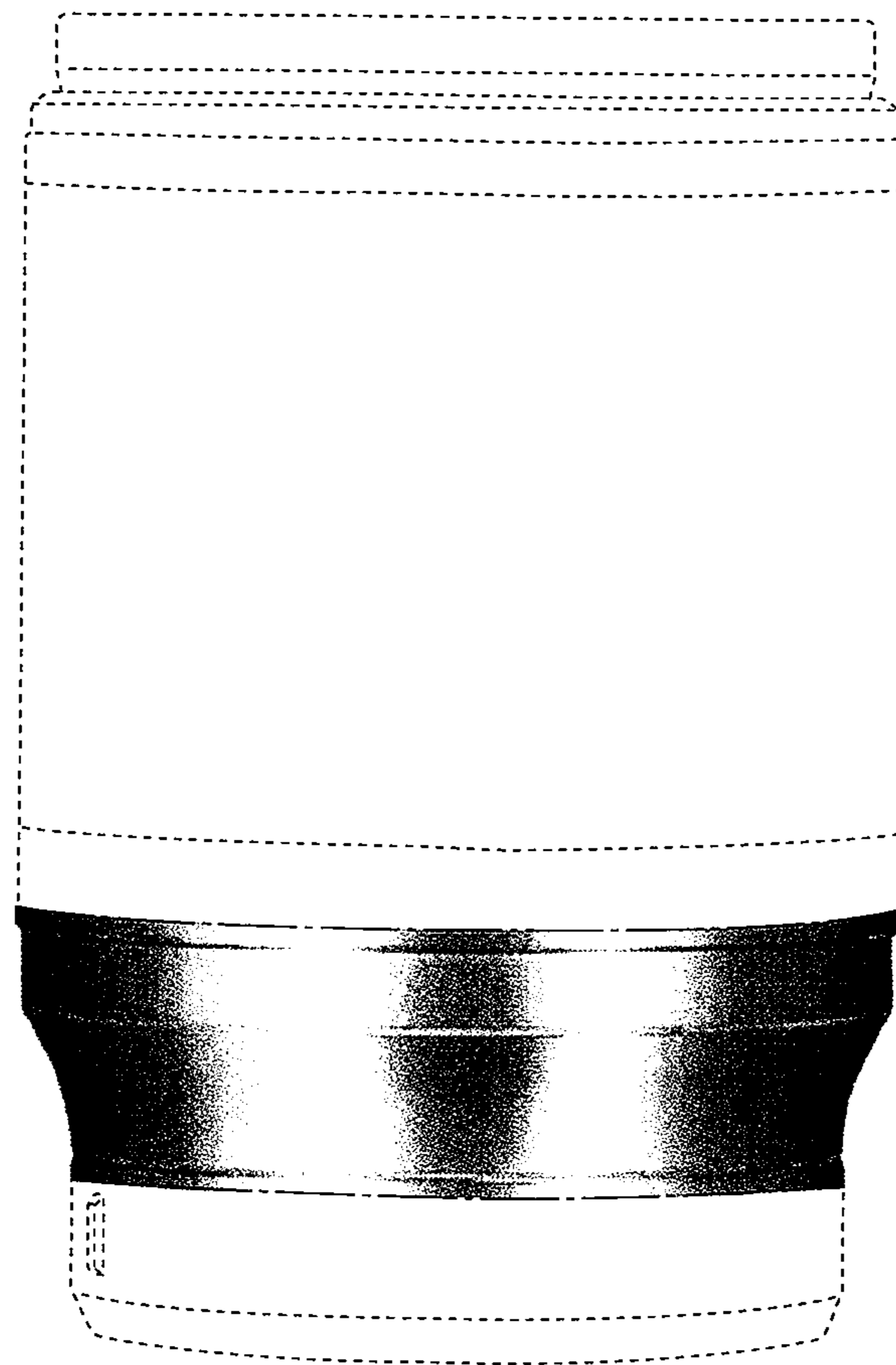


FIG. 4

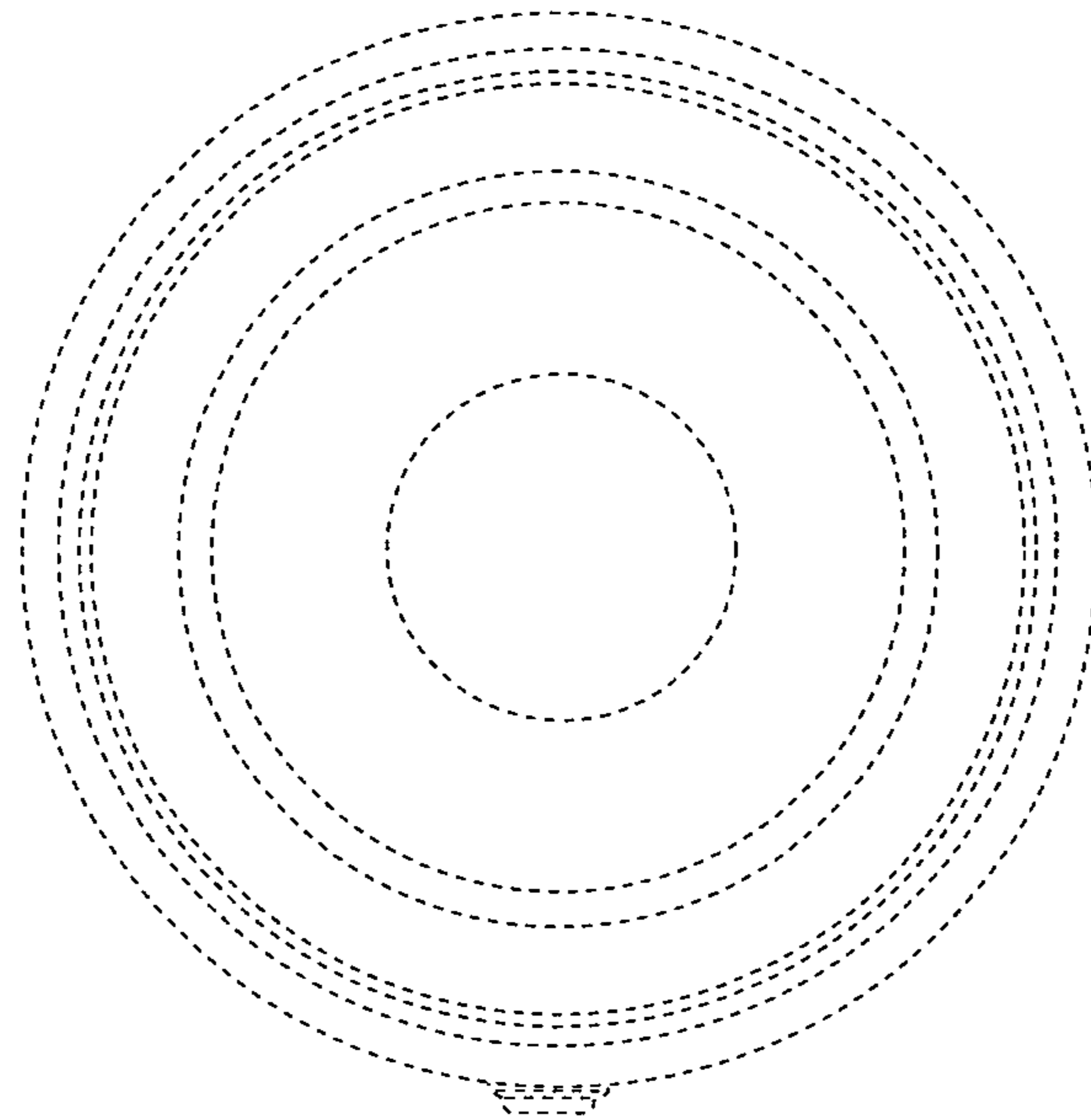


FIG. 5

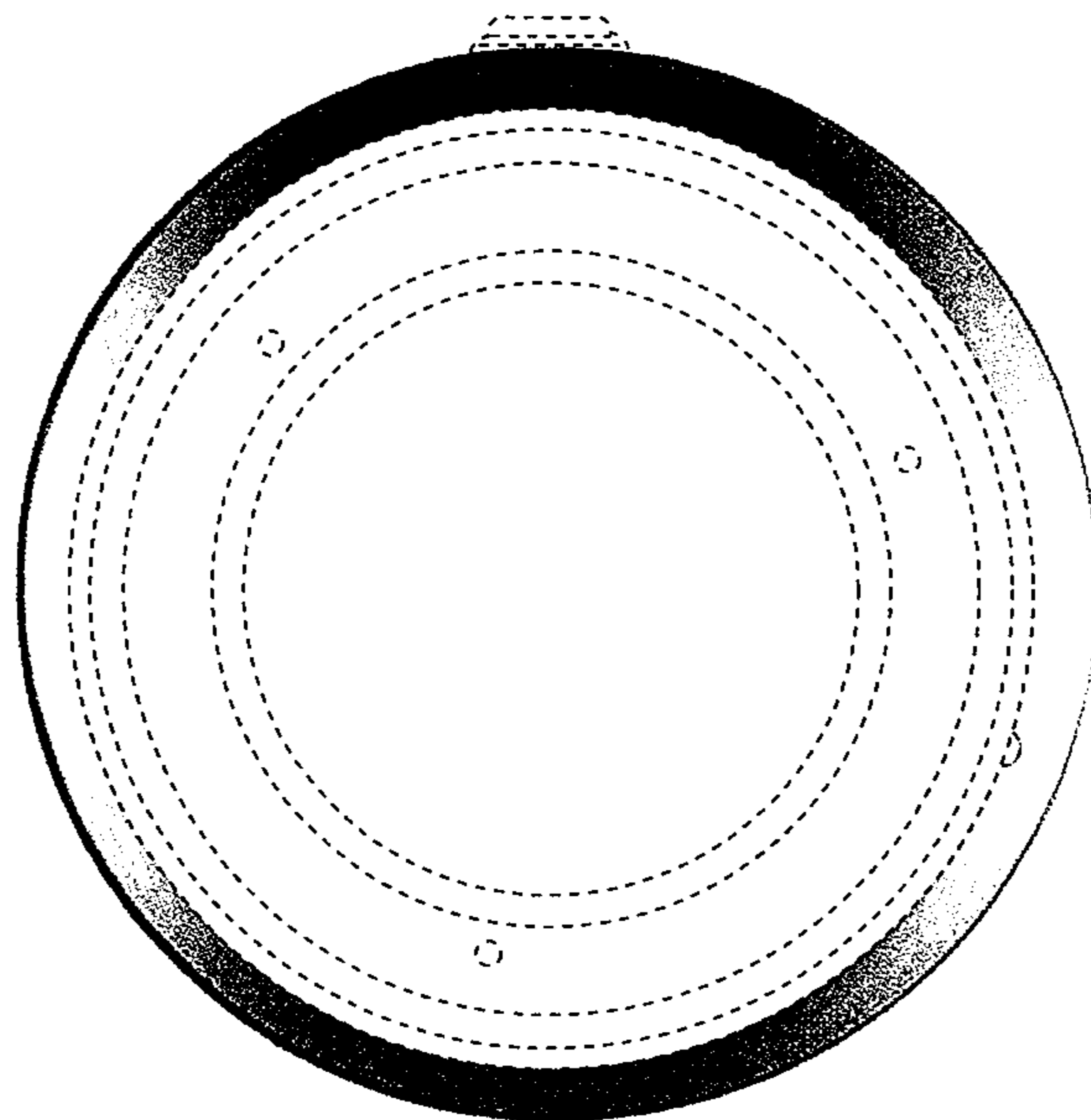


FIG. 6

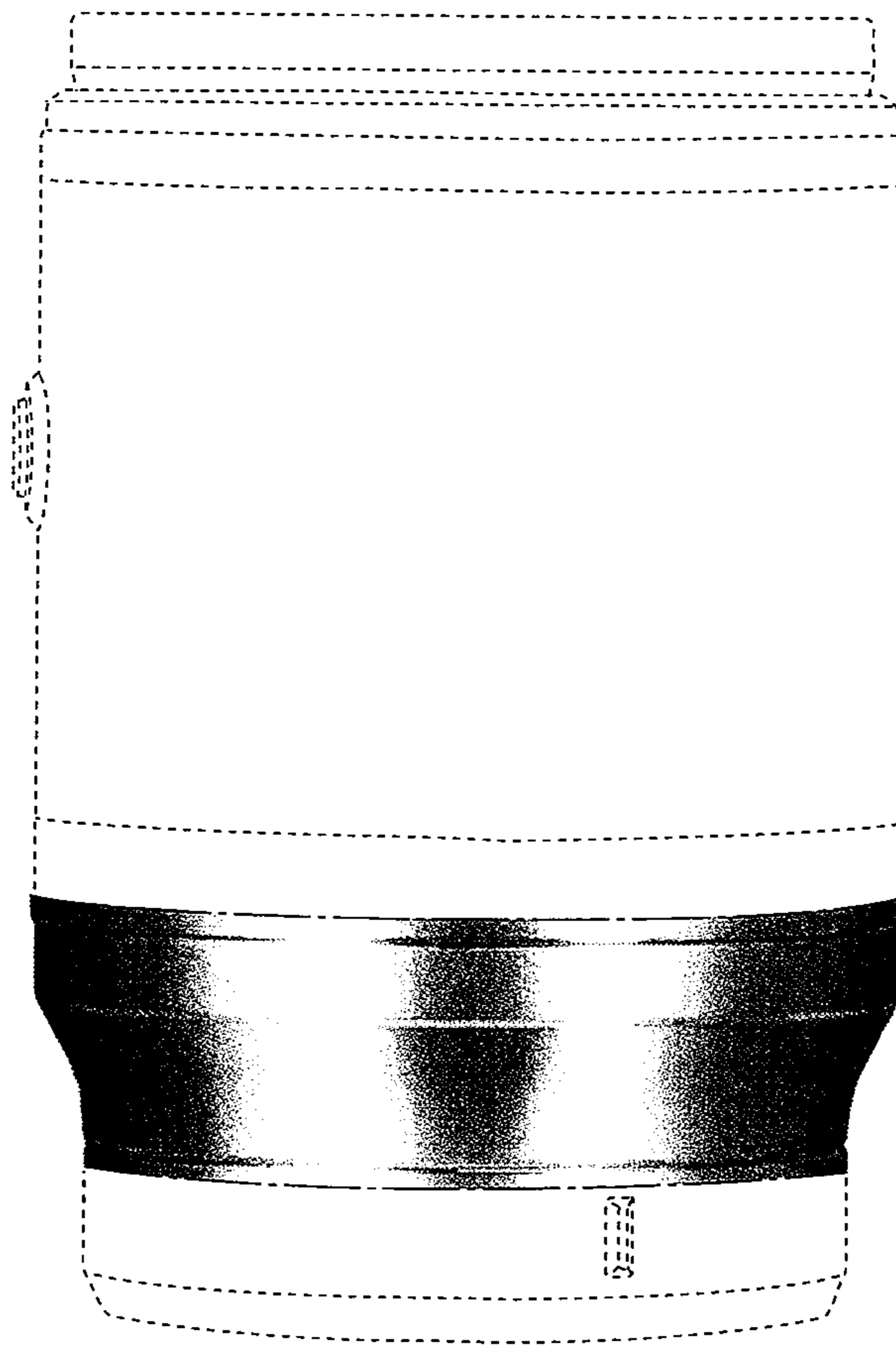
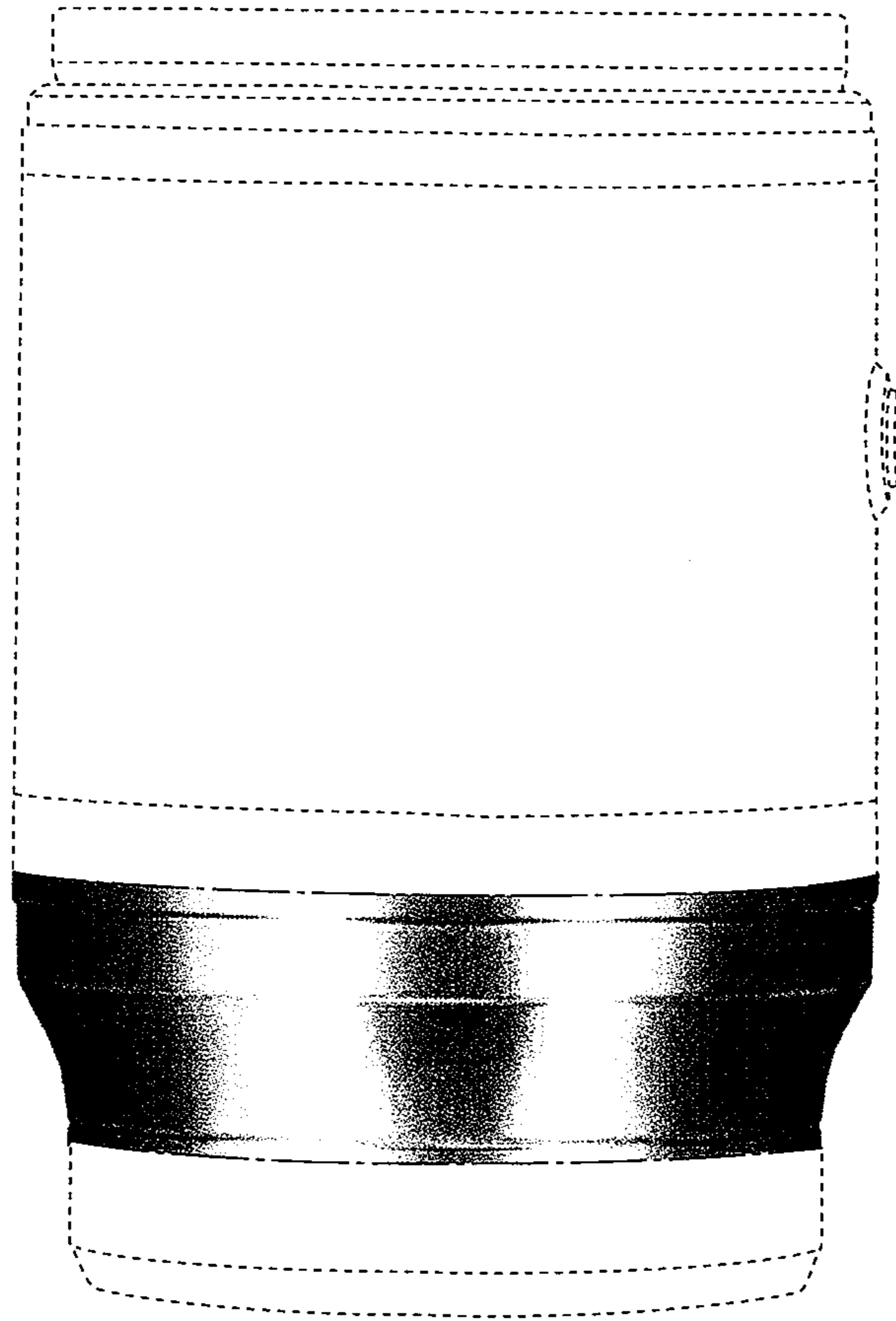


FIG. 7



UNITED STATES PATENT AND TRADEMARK OFFICE
CERTIFICATE OF CORRECTION

PATENT NO. : D683,380 S
APPLICATION NO. : 29/415232
DATED : May 28, 2013
INVENTOR(S) : Asano et al.

Page 1 of 1

It is certified that error appears in the above-identified patent and that said Letters Patent is hereby corrected as shown below:

On the title page, in column 1, under “(75) Inventors”, line 1, delete “Chiba” and insert -- Chiba-shi--, therefor

On the title page, in column 2, line 7, delete “and,” and insert --and--, therefor

Signed and Sealed this
Twenty-fourth Day of November, 2015



Michelle K. Lee
Director of the United States Patent and Trademark Office