



US00D683376S

(12) **United States Design Patent**
Yokoi

(10) **Patent No.:** **US D683,376 S**

(45) **Date of Patent:** **** May 28, 2013**

(54) **LASER RANGE FINDER**

(75) Inventor: **Yasuhide Yokoi, Tokyo (JP)**

(73) Assignee: **Nikon Vision Co., Ltd. (JP)**

(**) **Term: 14 Years**

(21) Appl. No.: **29/419,749**

(22) Filed: **May 1, 2012**

(30) **Foreign Application Priority Data**

Jan. 16, 2012 (JP) 2012-000671

(51) **LOC (9) Cl.** **16-06**

(52) **U.S. Cl.**

USPC **D16/132; D16/136**

(58) **Field of Classification Search**

USPC D16/132, 133, 136, 130, 202, 203,
D16/217, 200, 219, 237, 341; D14/168;
359/816, 817, 819, 630, 353; 250/214 VT,
250/333; 33/290, 291, 292, 285; D5/56;
D9/418, 434, 414; D7/585; D2/908; D20/10,
D20/11, 22, 34

See application file for complete search history.

(56) **References Cited**

U.S. PATENT DOCUMENTS

515,668 A * 2/1894 Ferres 229/90
3,454,773 A * 7/1969 Bulthuis et al. 250/214 VT
D216,871 S * 3/1970 Leis D9/418
D240,333 S * 6/1976 Chesnut D16/132
D275,575 S * 9/1984 Henderson D16/131
D313,020 S * 12/1990 Ichikawa D14/192
D318,676 S * 7/1991 Imai et al. D16/202
D343,361 S * 1/1994 More D9/529
5,455,711 A * 10/1995 Palmer 359/353
5,495,364 A * 2/1996 Palmer 359/412
D371,786 S * 7/1996 Maeyama D14/168
5,867,313 A * 2/1999 Schweitzer et al. 359/418
D424,081 S * 5/2000 Gordon D16/130

D433,430 S * 11/2000 Meinzer D16/132
D508,705 S * 8/2005 Hayamizu D16/133
D511,538 S * 11/2005 Hayamizu D16/133
D523,886 S * 6/2006 Wen et al. D16/202
D532,026 S * 11/2006 Sosniak et al. D16/130
D537,465 S * 2/2007 Tainaka D16/219
D539,317 S * 3/2007 Tonhofer D16/132
D540,680 S * 4/2007 Perry et al. D9/516
D543,112 S * 5/2007 Bridgman et al. D9/516
D543,460 S * 5/2007 Perry et al. D9/516
D544,515 S * 6/2007 Walter et al. D16/203
D547,459 S * 7/2007 Masuda D25/16
D551,565 S * 9/2007 Wouters et al. D9/704

(Continued)

FOREIGN PATENT DOCUMENTS

JP D1396667 S 9/2010

Primary Examiner — Paula Greene

(74) *Attorney, Agent, or Firm* — Caesar, Rivise, Bernstein,
Cohen & Pokotilow, Ltd.

(57) **CLAIM**

The ornamental design for a laser range finder, as shown and described.

DESCRIPTION

FIG. 1 is a front, top and left side perspective view of a laser range finder showing my new design;

FIG. 2 is a rear, bottom and right side perspective view thereof;

FIG. 3 is a front elevational view thereof;

FIG. 4 is a rear elevational view thereof;

FIG. 5 a top plan view thereof;

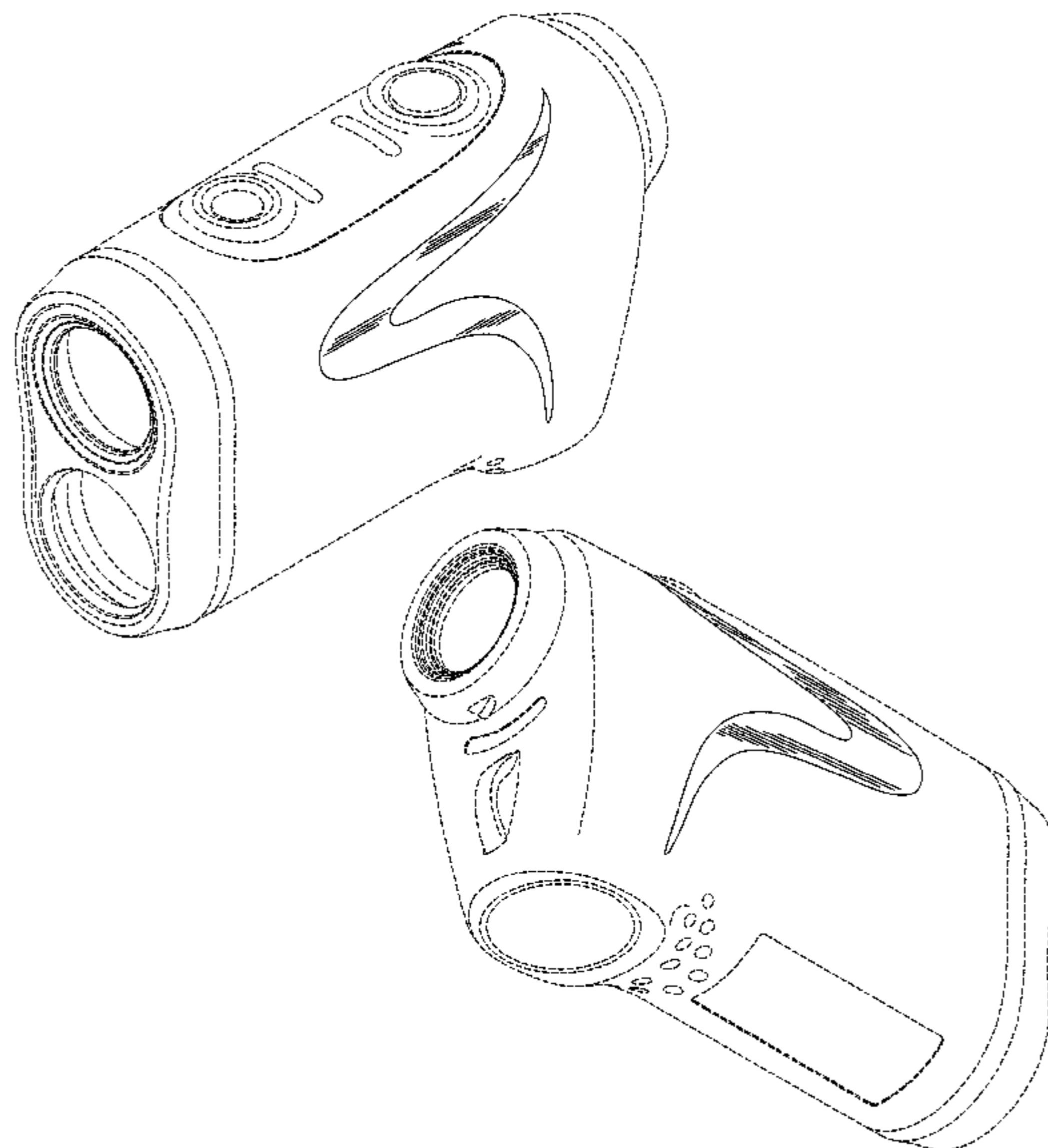
FIG. 6 is a bottom plan view thereof;

FIG. 7 is a right side elevational view thereof; and,

FIG. 8 is a left side elevational view thereof.

The features shown in broken lines in the drawings depict environmental subject matter only and form no part of the claimed design.

1 Claim, 8 Drawing Sheets



US D683,376 S

Page 2

U.S. PATENT DOCUMENTS

D554,501	S	*	11/2007	Bone et al.	D9/434
D556,572	S	*	12/2007	Mongeon et al.	D9/432
D564,553	S	*	3/2008	Yip et al.	D16/131
D567,080	S	*	4/2008	Bone et al.	D9/432
7,420,153	B2	*	9/2008	Palmer et al.	250/214 VT
D586,210	S	*	2/2009	Noschang et al.	D9/434
D599,657	S	*	9/2009	Bruno et al.	D9/434
D600,551	S	*	9/2009	Bruno et al.	D9/434
D606,572	S	*	12/2009	Samson et al.	D16/203
D615,397	S	*	5/2010	Arnell	D9/434
D621,702	S	*	8/2010	Tekulve et al.	D9/432
D627,378	S	*	11/2010	Watanabe	D16/133
D634,552	S	*	3/2011	Bischoff et al.	D5/56
D651,628	S	*	1/2012	Wang	D16/132
D662,118	S	*	6/2012	Soejima	D16/133

* cited by examiner

FIG. 1

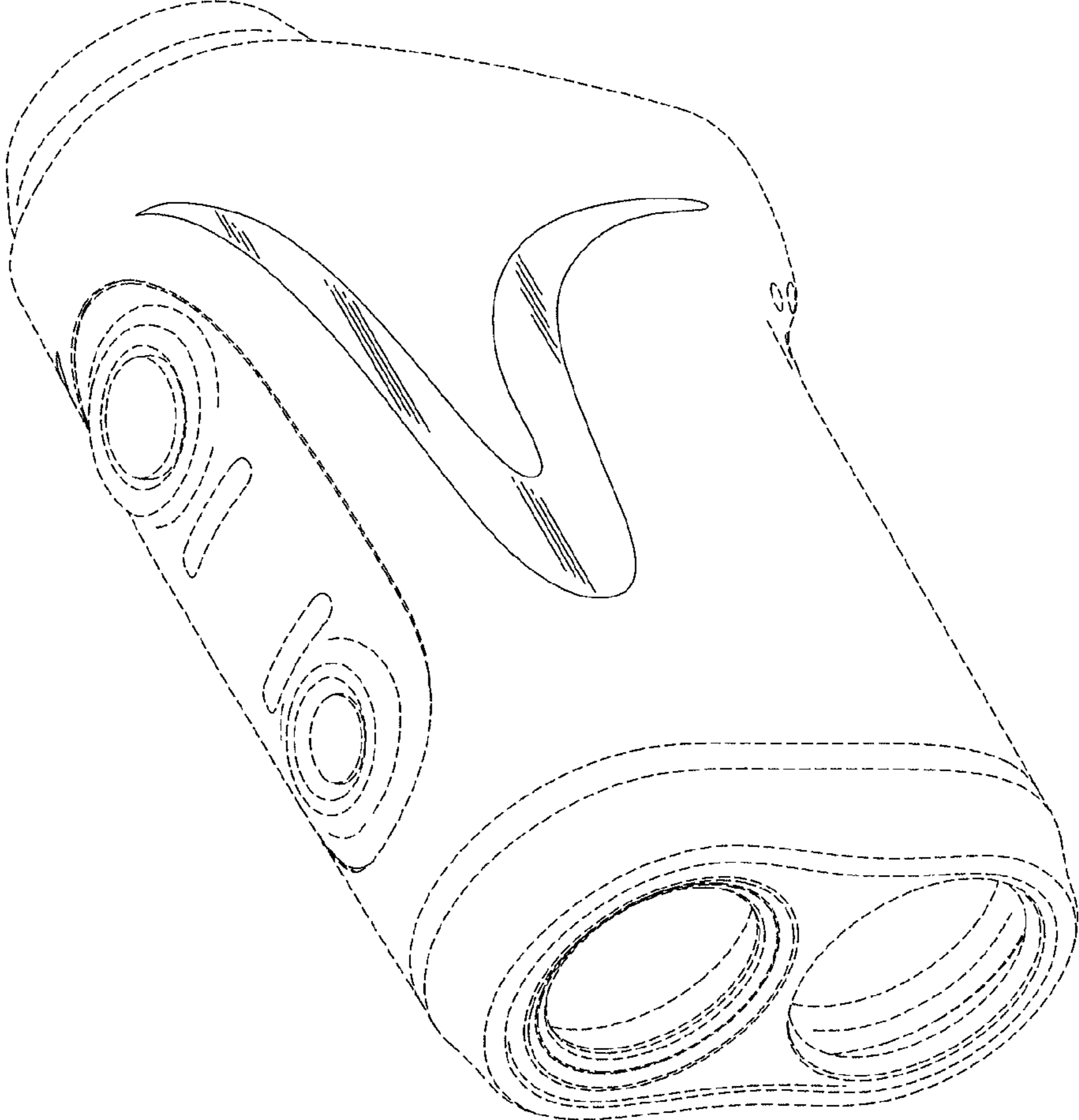


FIG. 2

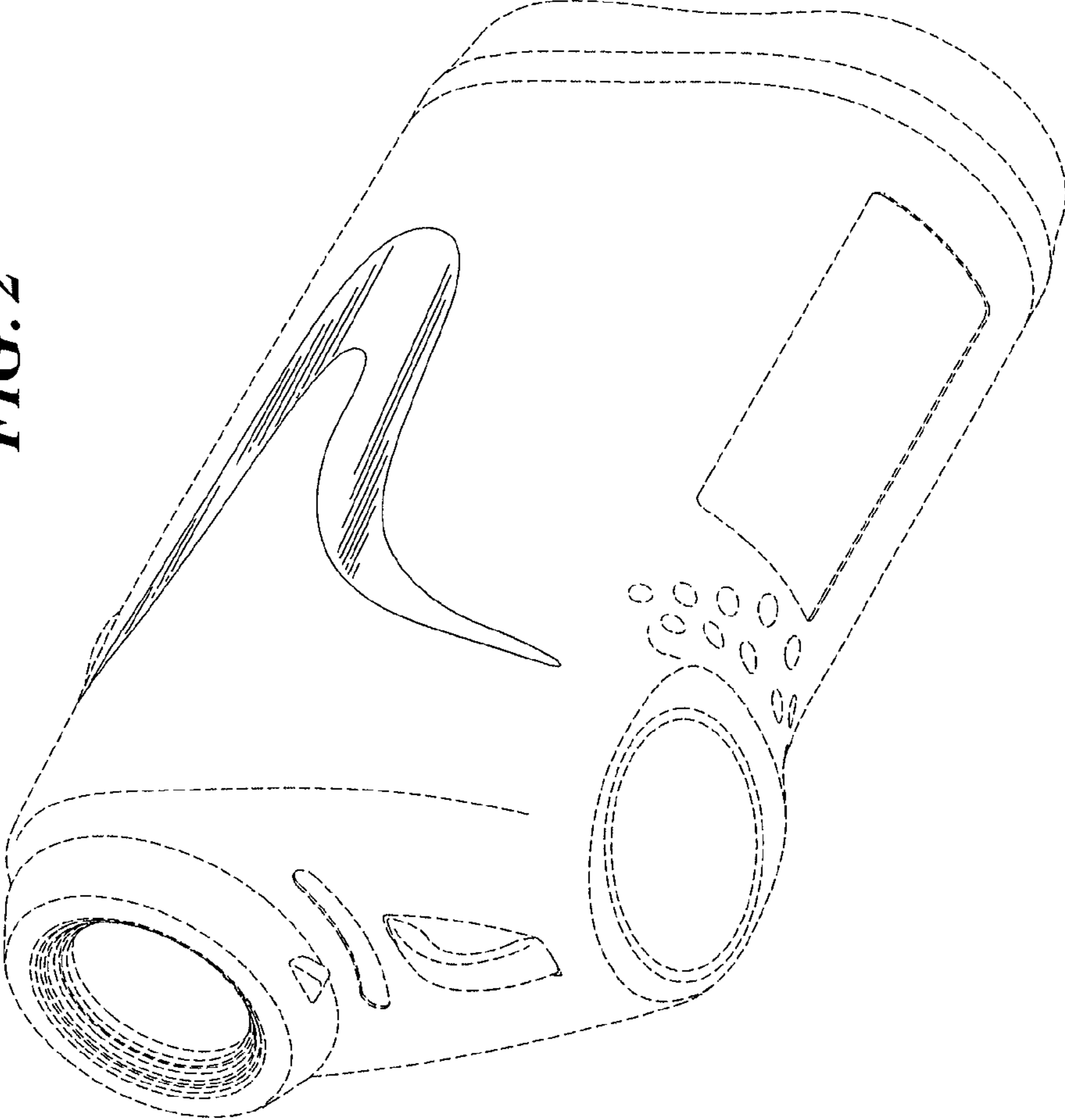


FIG. 3

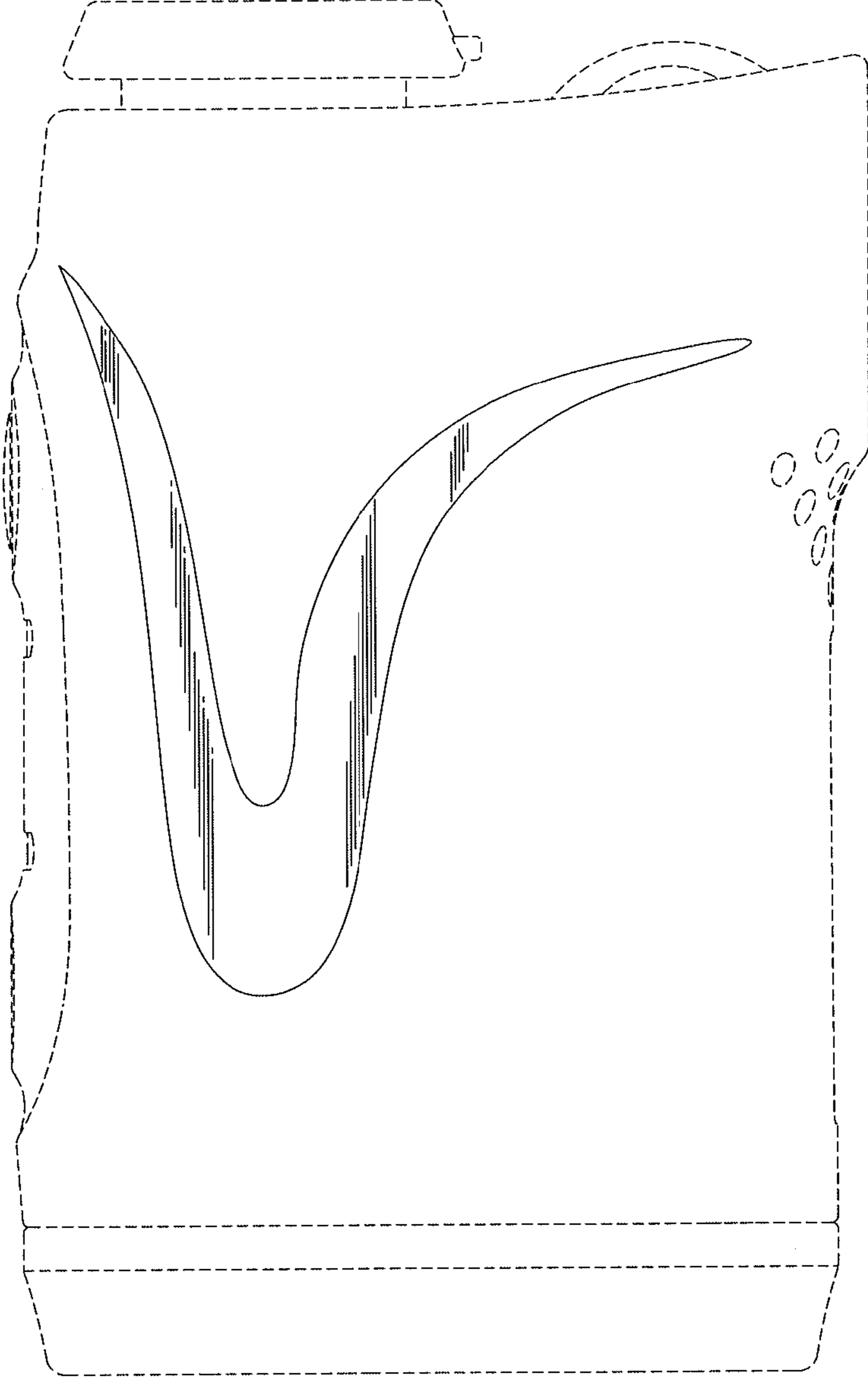


FIG. 4

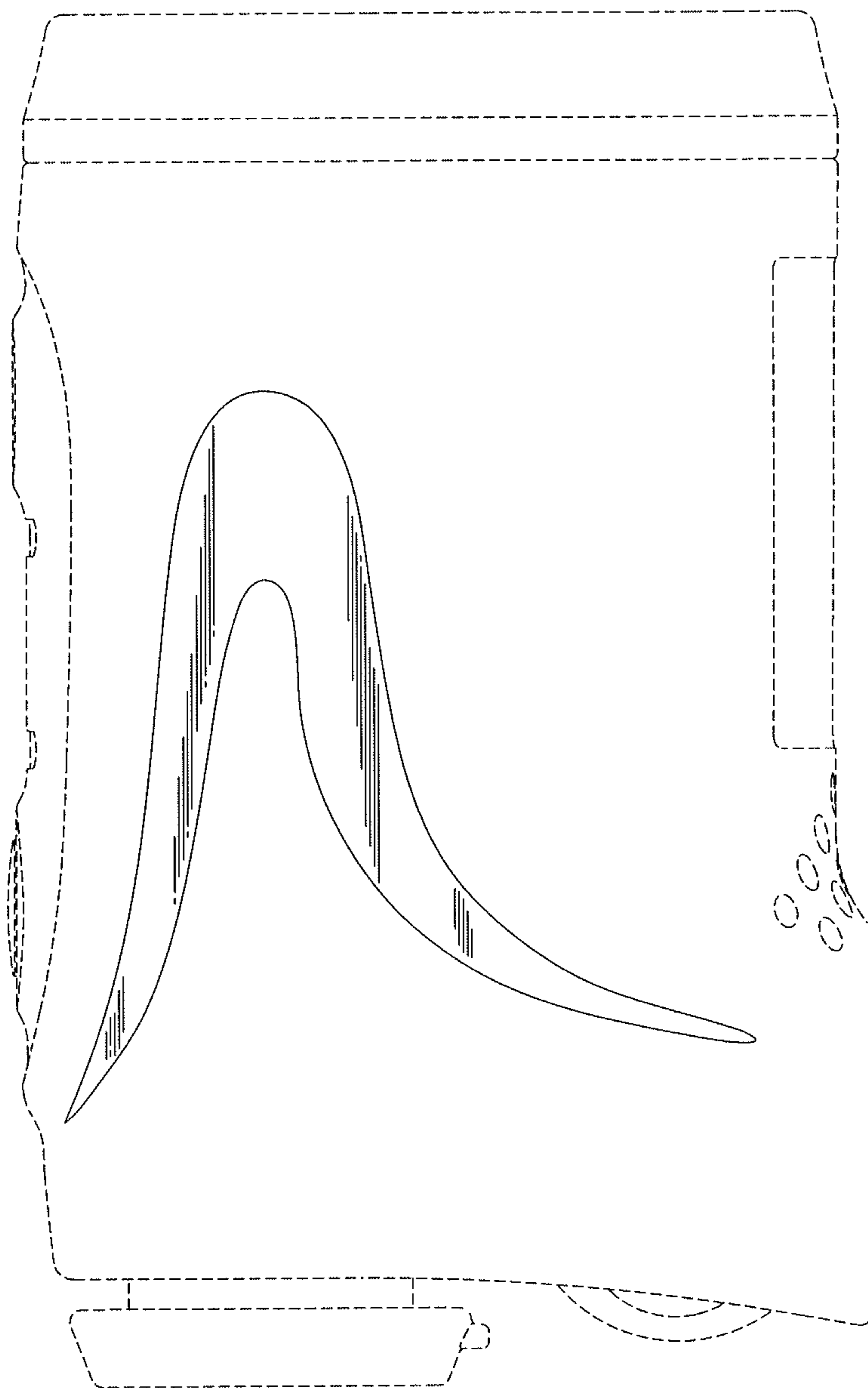


FIG. 5

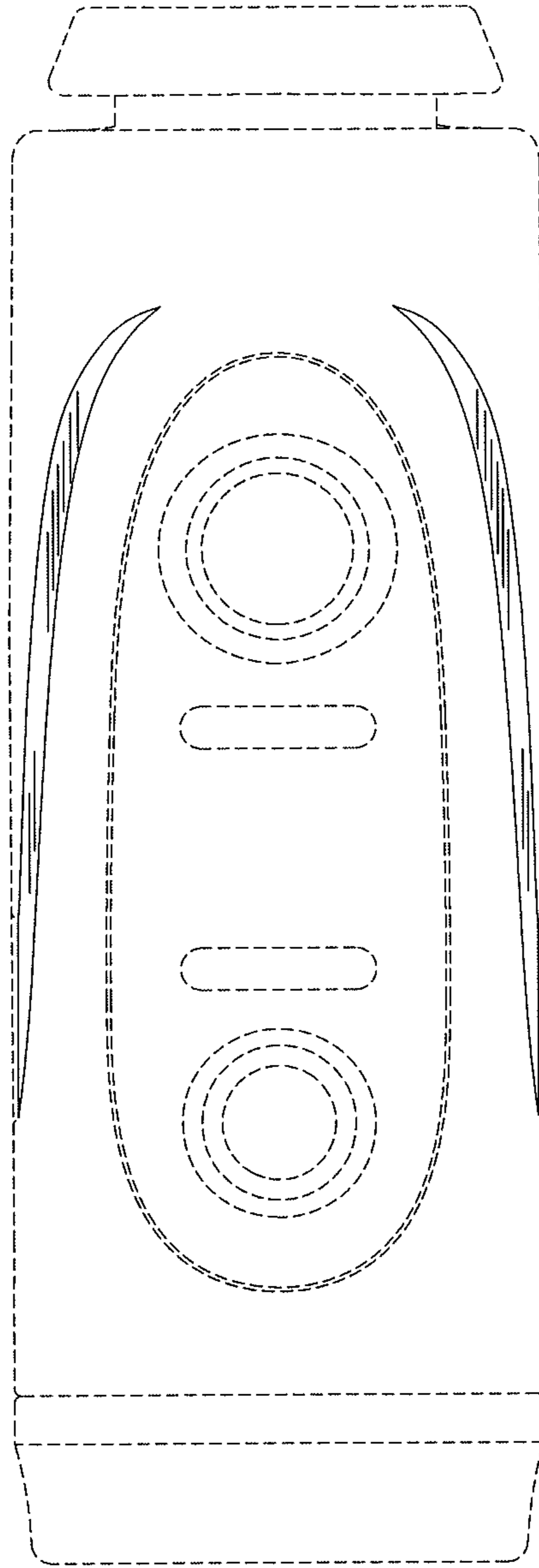


FIG. 6

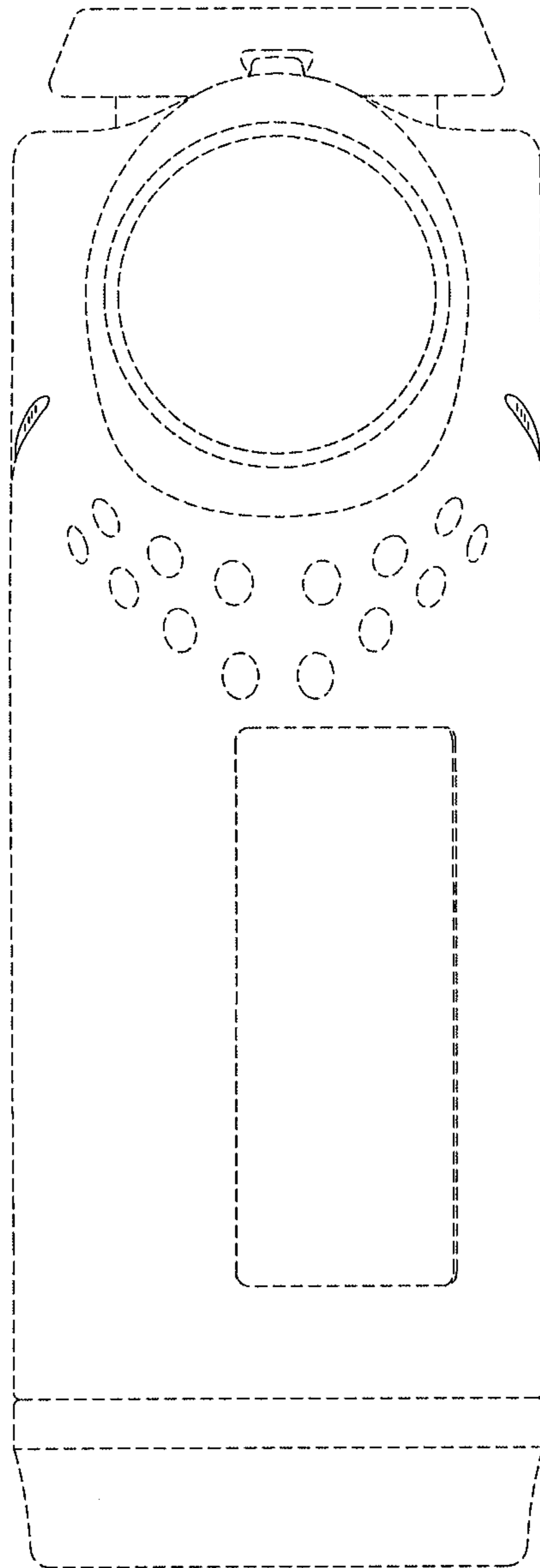


FIG. 7

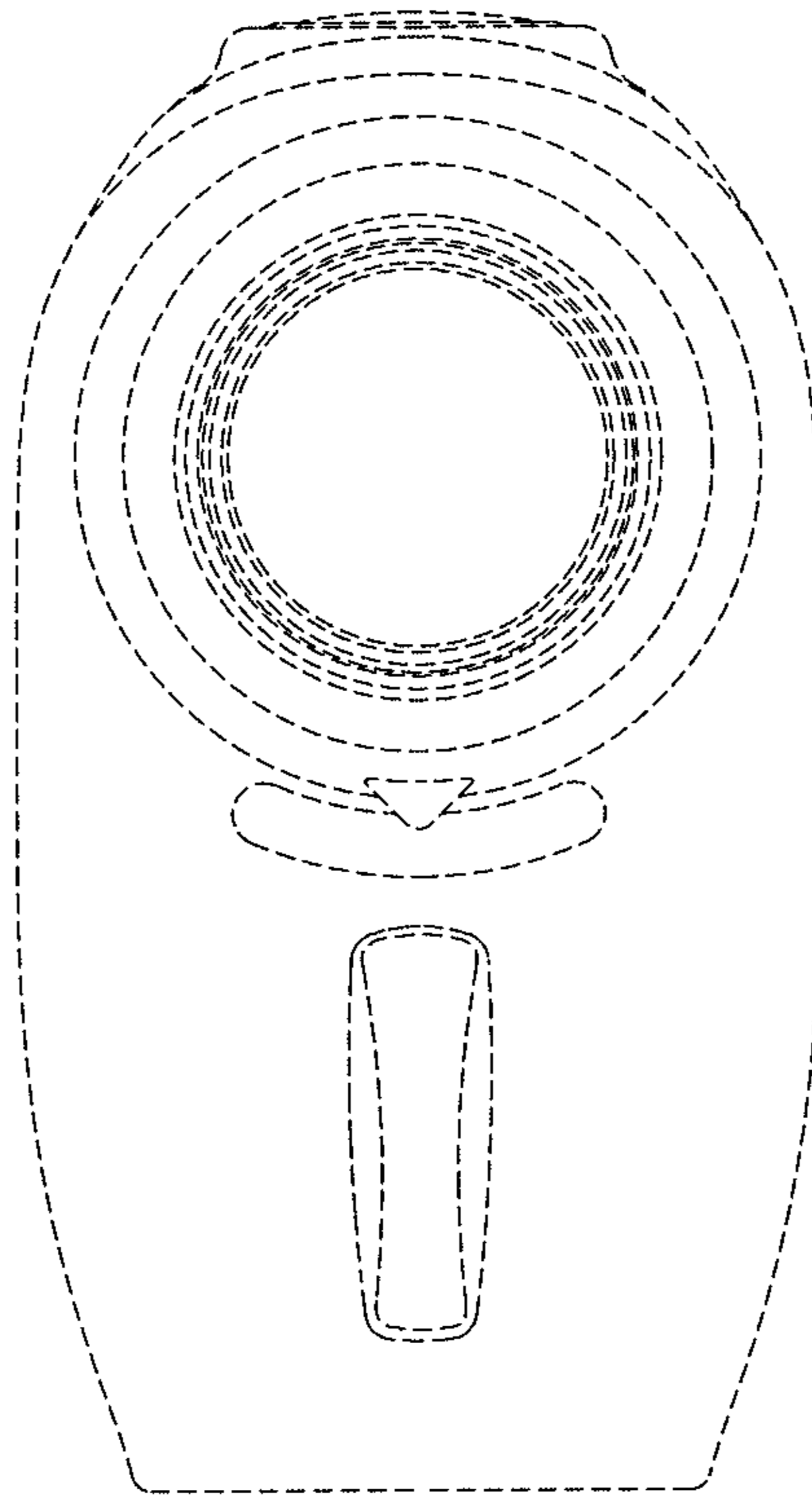


FIG. 8

