



US00D683374S

(12) **United States Design Patent**
Yokoi

(10) **Patent No.:** **US D683,374 S**

(45) **Date of Patent:** **** May 28, 2013**

(54) **LASER RANGE FINDER**

(75) Inventor: **Yasuhide Yokoi**, Tokyo (JP)

(73) Assignee: **Nikon Vision Co., Ltd.** (JP)

(**) Term: **14 Years**

(21) Appl. No.: **29/419,738**

(22) Filed: **May 1, 2012**

(30) **Foreign Application Priority Data**

Jan. 16, 2012 (JP) 2012-000667

(51) **LOC (9) Cl.** **16-06**

(52) **U.S. Cl.**
USPC **D16/132**

(58) **Field of Classification Search**
USPC D16/132, 133, 136, 130, 202, 203,
D16/217; D14/168; 359/816, 817, 819, 630,
359/353; 250/214 VT, 333; 33/290, 291,
33/292, 285; D5/56; D9/418, 434; D7/585;
D2/908; D20/10, 11, 22, 34
See application file for complete search history.

(56) **References Cited**

U.S. PATENT DOCUMENTS

3,454,773	A *	7/1969	Bulthuis et al.	250/214 VT
D216,871	S *	3/1970	Leis	D9/418
D240,333	S *	6/1976	Chesnut	D16/132
D275,575	S *	9/1984	Henderson	D16/131
D313,020	S *	12/1990	Ichikawa	D14/192
D318,676	S *	7/1991	Imai et al.	D16/202
5,455,711	A *	10/1995	Palmer	359/353
5,495,364	A *	2/1996	Palmer	359/412
D371,786	S *	7/1996	Maeyama	D14/168
5,867,313	A *	2/1999	Schweitzer et al.	359/418
D424,081	S *	5/2000	Gordon	D16/130
D433,430	S *	11/2000	Meinzer	D16/132
D508,705	S *	8/2005	Hayamizu	D16/133
D511,538	S *	11/2005	Hayamizu	D16/133

D523,886	S *	6/2006	Wen et al.	D16/202
D532,026	S *	11/2006	Sosniak et al.	D16/130
D537,459	S *	2/2007	Yip et al.	D16/131
D537,465	S *	2/2007	Tainaka	D16/219
D539,317	S *	3/2007	Tonhofer	D16/132
D540,680	S *	4/2007	Perry et al.	D9/516
D543,112	S *	5/2007	Bridgman et al.	D9/516
D543,460	S *	5/2007	Perry et al.	D9/516
D544,515	S *	6/2007	Walter et al.	D16/203
D547,780	S *	7/2007	Meinzer	D16/132
D551,565	S *	9/2007	Wouters et al.	D9/704
D554,501	S *	11/2007	Bone et al.	D9/434

(Continued)

FOREIGN PATENT DOCUMENTS

JP D1396667 S 9/2010

Primary Examiner — Paula Greene

(74) *Attorney, Agent, or Firm* — Caesar, Rivise, Bernstein, Cohen & Pokotilow, Ltd.

(57) **CLAIM**

The ornamental design for a laser range finder, as shown and described.

DESCRIPTION

FIG. 1 is a front, top and left side perspective view of a laser range finder showing my new design;

FIG. 2 is a rear, bottom and right side perspective view thereof;

FIG. 3 is a front elevational view thereof;

FIG. 4 is a rear elevational view thereof;

FIG. 5 is a top plan view thereof;

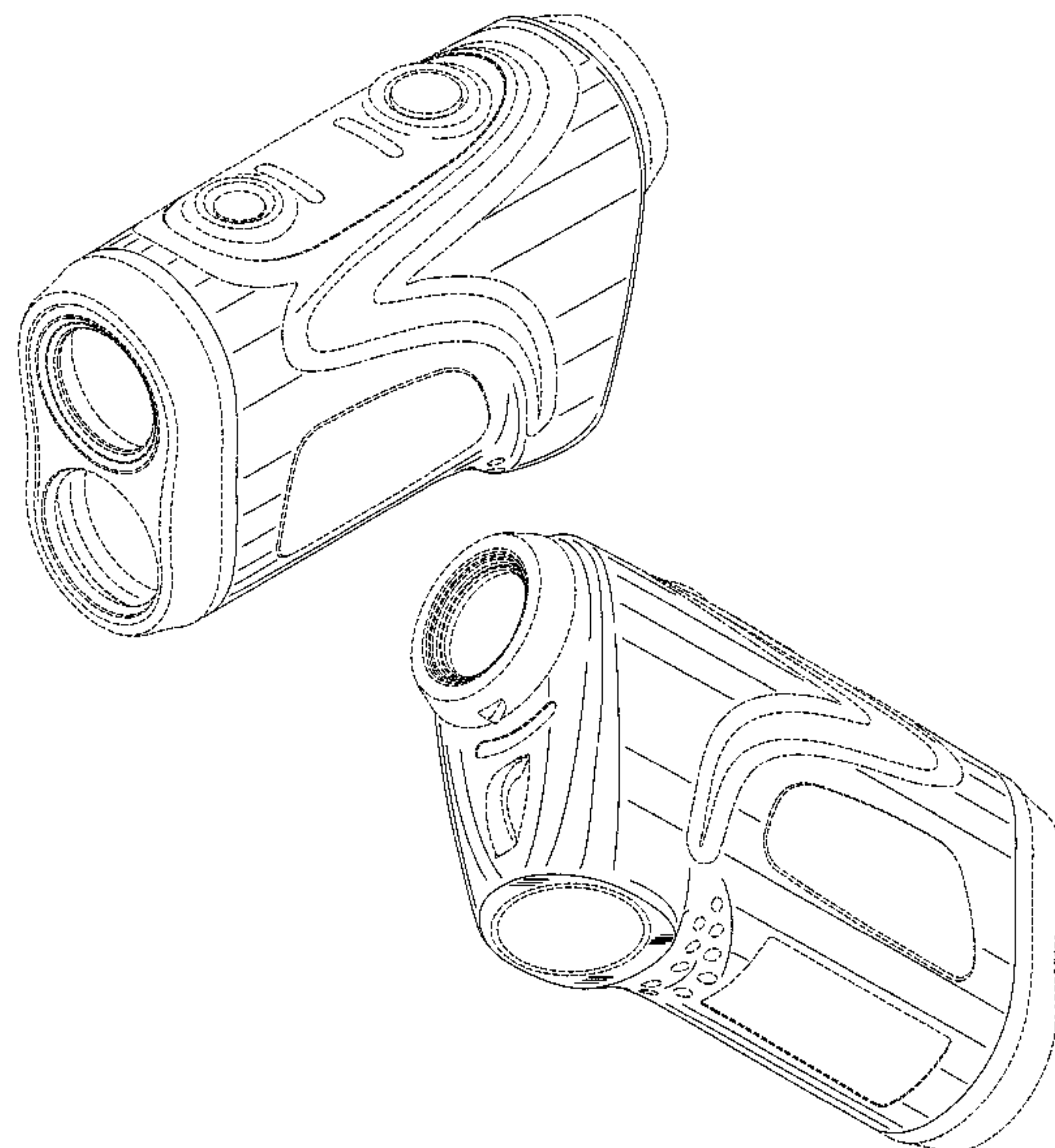
Fig. 6 is a bottom plan view thereof;

FIG. 7 is a right side elevational view thereof; and,

FIG. 8 is a left side elevational view thereof.

The features shown in broken lines in the drawings depict environmental subject matter only and form no part of the claimed design. The dot-dashed lines denote the boundary of the claim, and form no part of the claimed design.

1 Claim, 8 Drawing Sheets



US D683,374 S

Page 2

U.S. PATENT DOCUMENTS

D556,572 S *	12/2007	Mongeon et al.	D9/432	D606,572 S *	12/2009	Samson et al.	D16/203
D564,553 S *	3/2008	Yip et al.	D16/131	D615,397 S *	5/2010	Arnell	D9/434
D567,080 S *	4/2008	Bone et al.	D9/432	D621,702 S *	8/2010	Tekulve et al.	D9/432
7,420,153 B2 *	9/2008	Palmer et al.	250/214 VT	D627,378 S *	11/2010	Watanabe	D16/133
D586,210 S *	2/2009	Noschang et al.	D9/434	D651,628 S *	1/2012	Wang	D16/132
D599,657 S *	9/2009	Bruno et al.	D9/434	D662,118 S *	6/2012	Soejima	D16/133
D600,551 S *	9/2009	Bruno et al.	D9/434				

* cited by examiner

FIG. 1

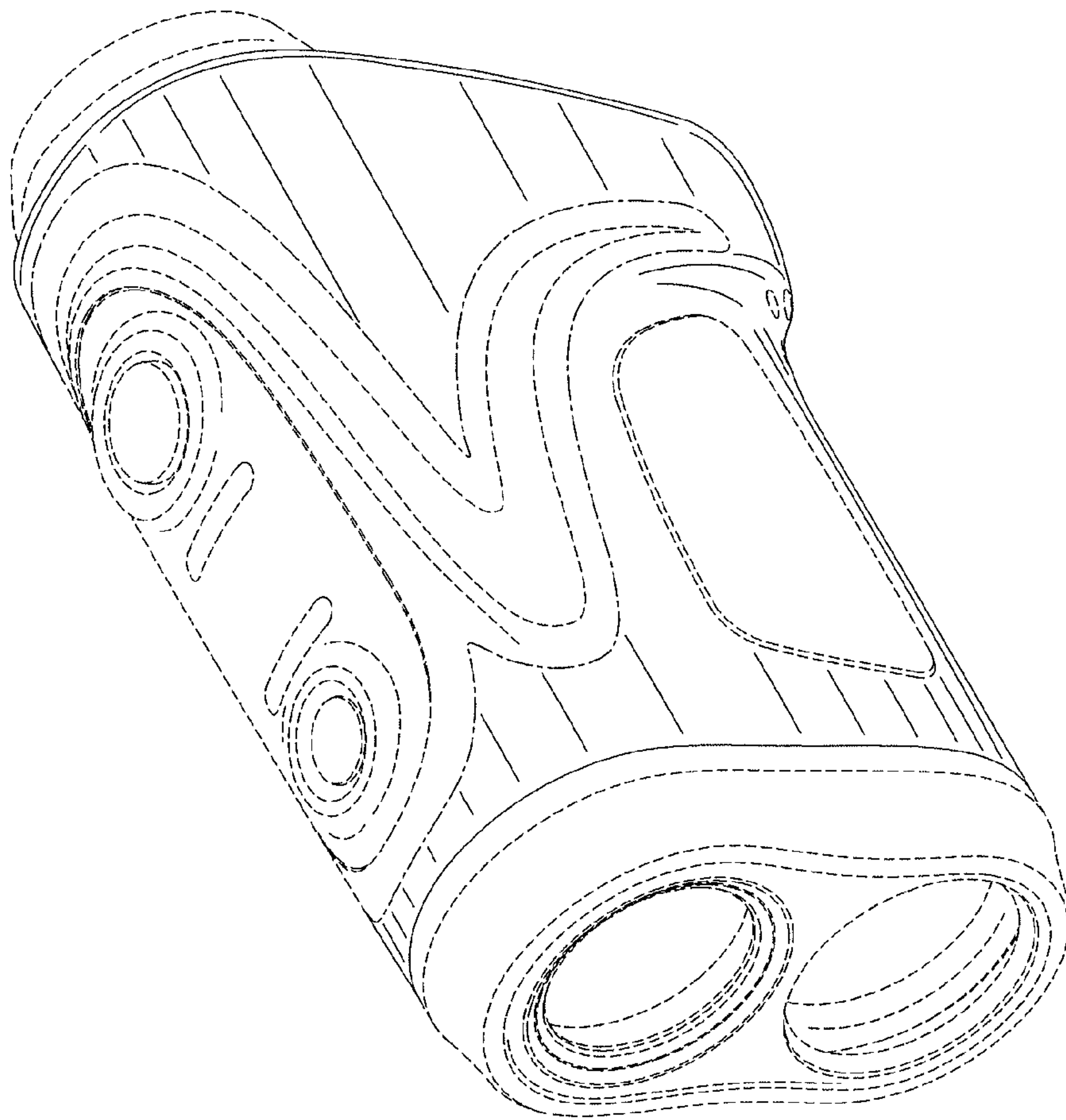


FIG. 2

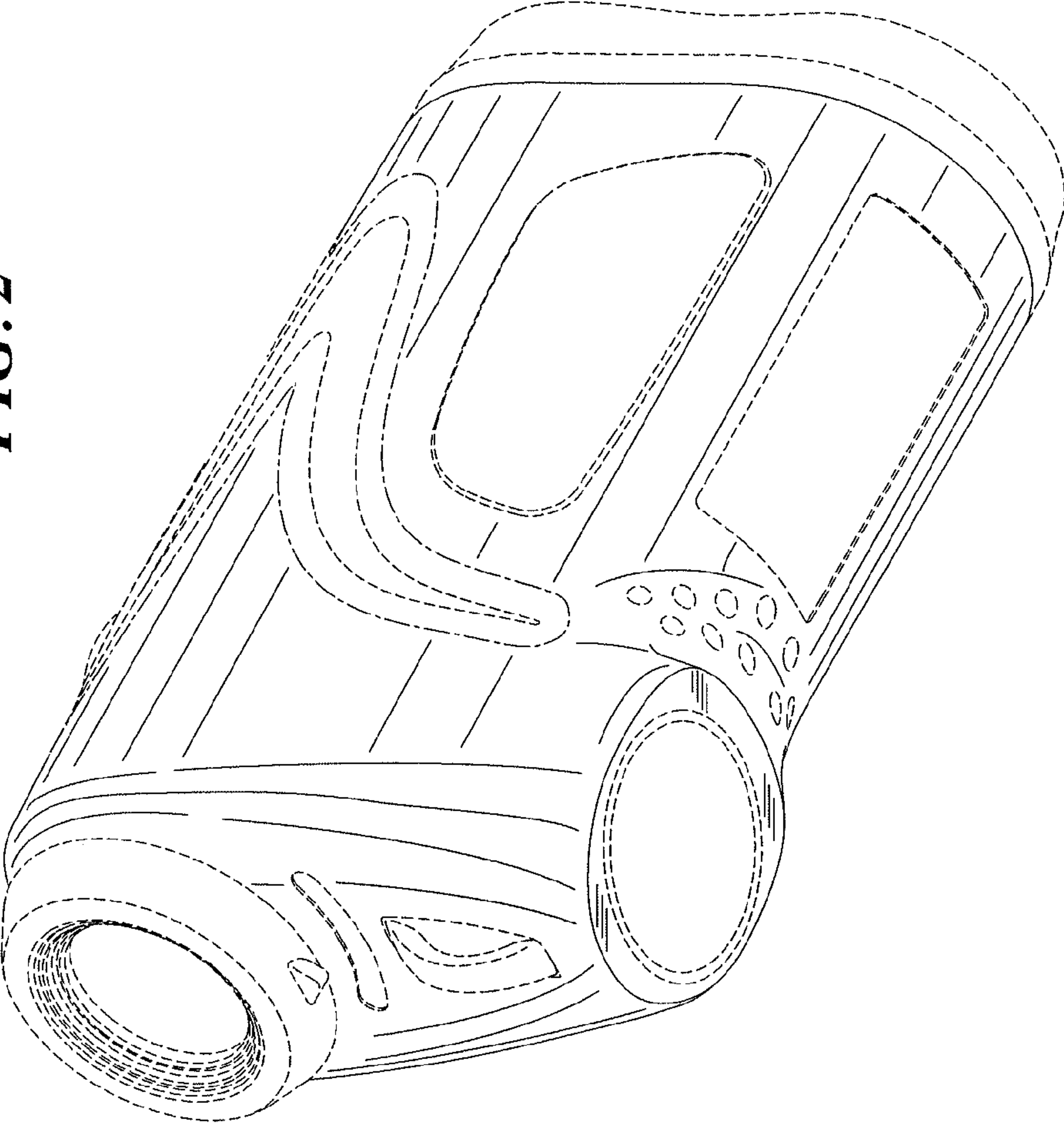


FIG. 3

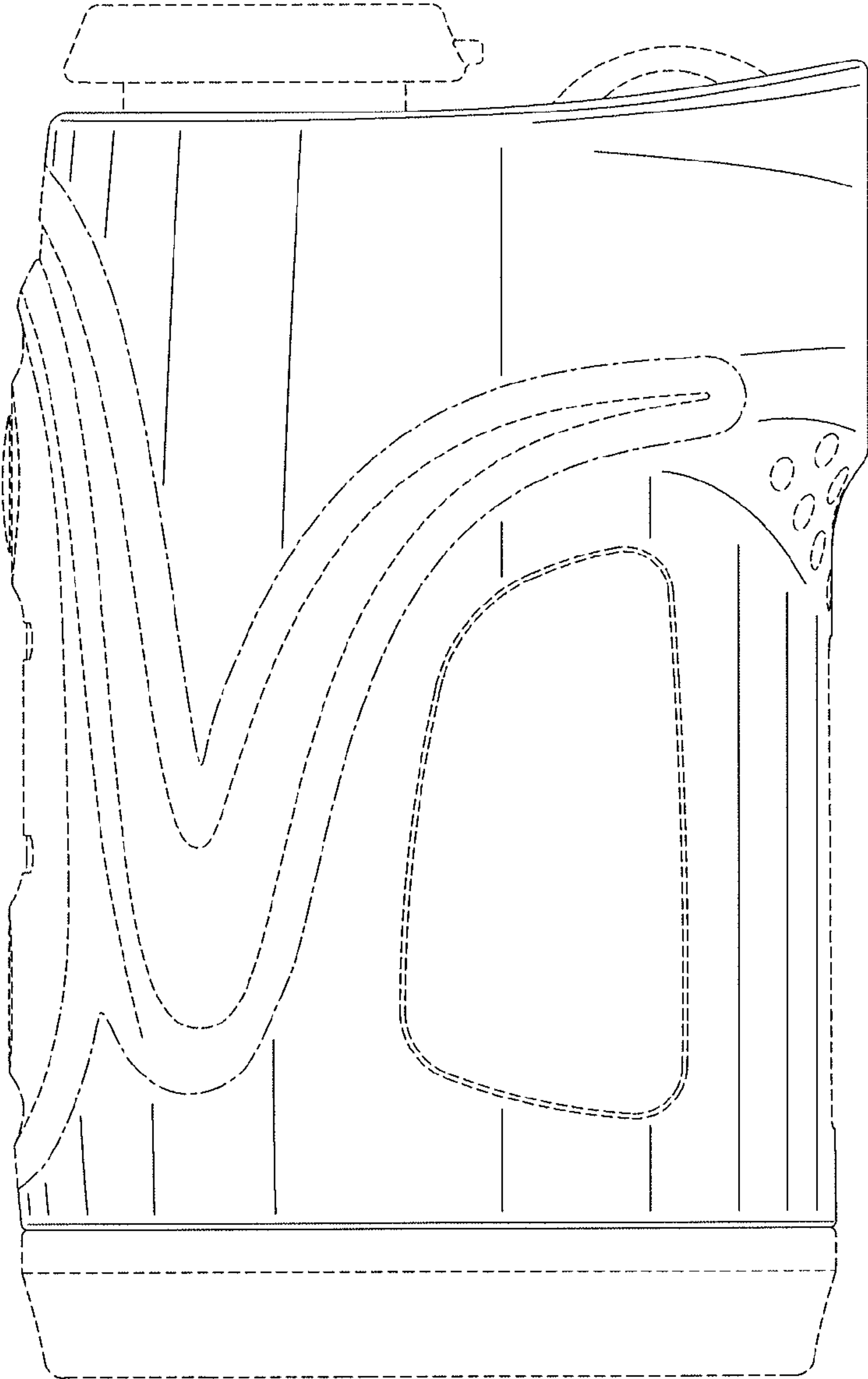


FIG. 4

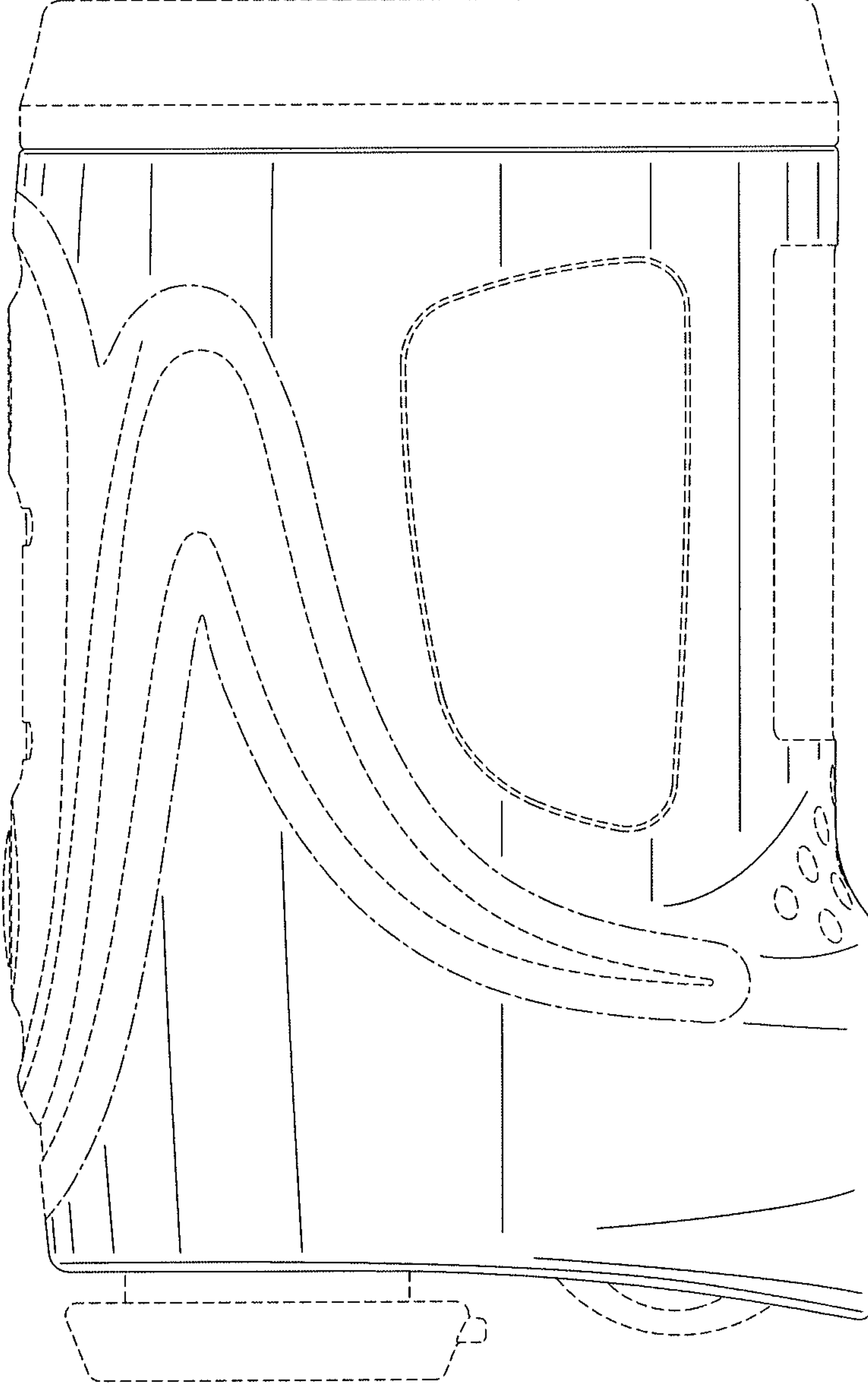


FIG. 5

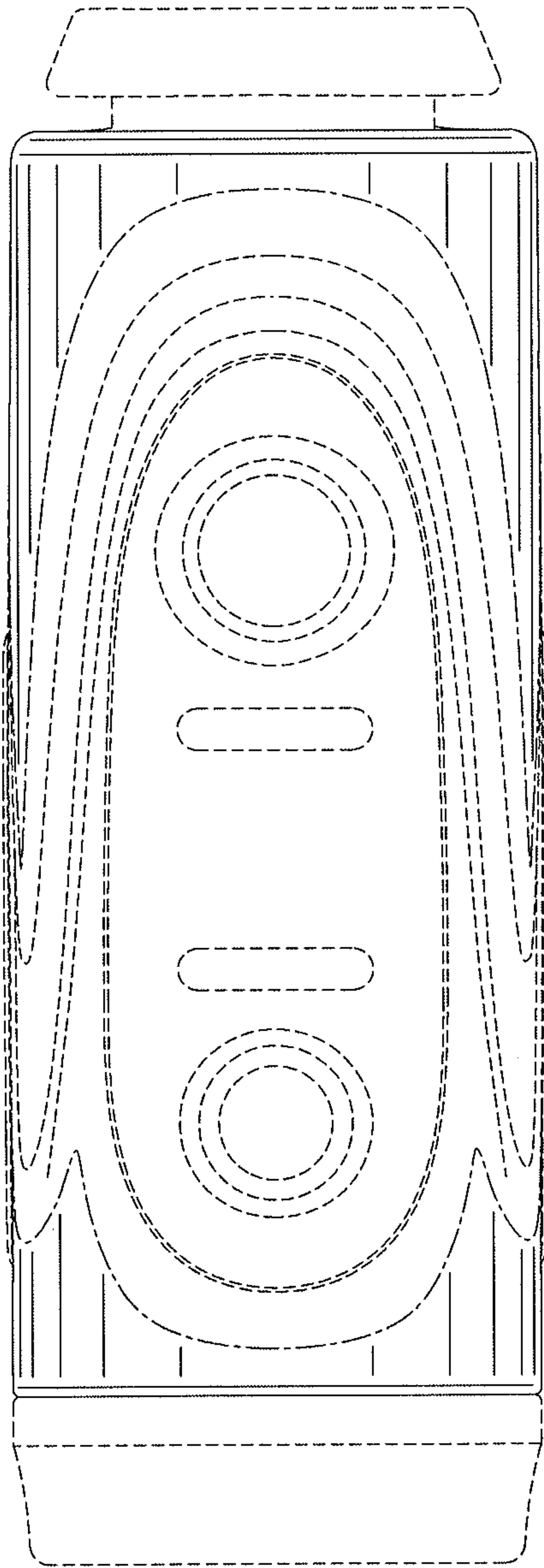


FIG. 6

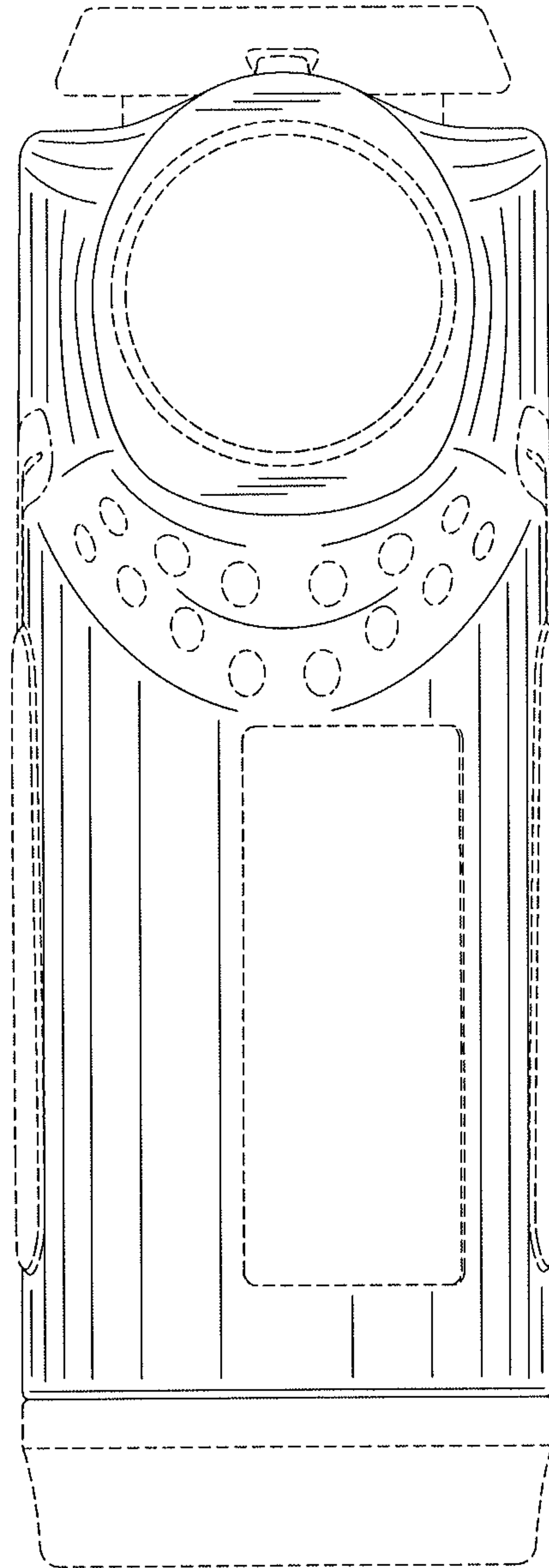


FIG. 7

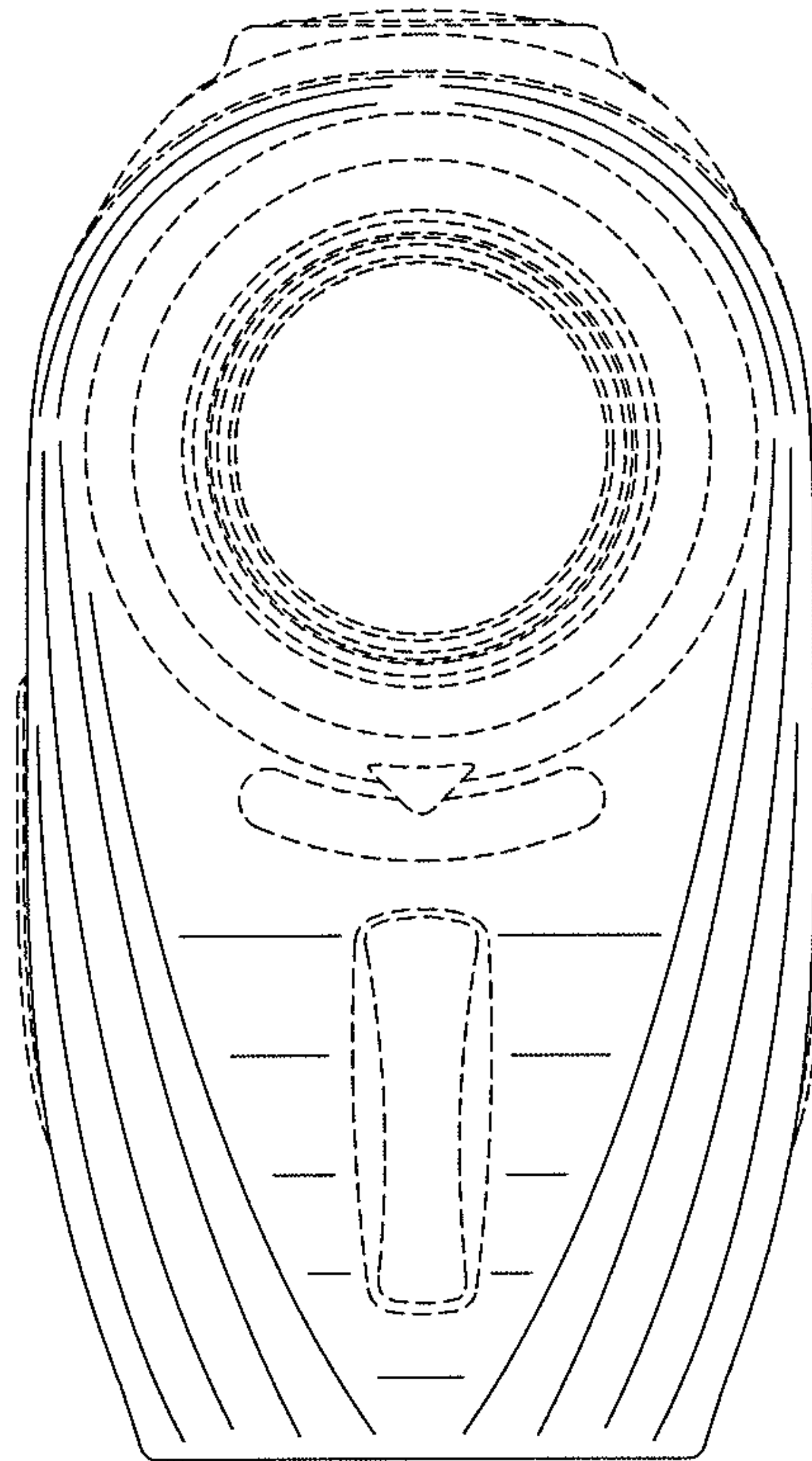


FIG. 8

