



US00D683373S

(12) **United States Design Patent**
Orlitzky

(10) **Patent No.:** **US D683,373 S**

(45) **Date of Patent:** **** May 28, 2013**

- (54) **LUBRICATOR APPARATUS**
- (71) Applicant: **Stephania Holdings Inc.**, Delta (CA)
- (72) Inventor: **Stephan Karl Orlitzky**, Delta (CA)
- (73) Assignee: **Stephania Holdings Inc.**, British Columbia (CA)
- (**) Term: **14 Years**
- (21) Appl. No.: **29/435,038**
- (22) Filed: **Oct. 18, 2012**
- (51) **LOC (9) Cl.** **15-09**
- (52) **U.S. Cl.**
USPC **D15/150**
- (58) **Field of Classification Search**
USPC D15/7, 150, 151, 152; 55/219, 274,
55/275; 84/26; 137/145, 195, 205.5, 237,
137/416, 418; 138/45; 184/7.4, 14, 26, 29,
184/37, 55.1, 55.2, 103.1, 105.1; 200/19.2,
200/183; 201/313; 220/3, 461; 239/366; 251/65;
261/78.2; 357/453; 417/12, 46, 316
See application file for complete search history.

D317,315	S	*	6/1991	Miyake et al.	D15/150
D317,644	S	*	6/1991	Ito et al.	D23/235
D400,211	S	*	10/1998	Thallemer et al.	D15/7
D650,402	S	*	12/2011	Yamase et al.	D15/150
D650,403	S	*	12/2011	Yamase et al.	D15/150
2004/0099483	A1	*	5/2004	Song	184/105.1
2009/0133962	A1	*	5/2009	Orlitzky et al.	184/37
2009/0277627	A1	*	11/2009	Dallas	166/85.1
2009/0308691	A1	*	12/2009	Commins et al.	184/14
2010/0217446	A1	*	8/2010	Orlitzky et al.	700/283
2012/0024521	A1	*	2/2012	Villa	166/75.11
2012/0061186	A1	*	3/2012	Sederl et al.	184/55.2
2012/0132484	A1	*	5/2012	Guillaume et al.	184/37

OTHER PUBLICATIONS

Perma-Tec GmbH & Co. KG., "Perma Flex, The all-in-one lubrication system in two compact sizes," Nov. 2011, http://www.permausa.com/downloads/FLEX_Flyer_90.002.290_EN.pdf.

* cited by examiner

Primary Examiner — Patricia Palasik
(74) *Attorney, Agent, or Firm* — Kilpatrick Townsend & Stockton LLP

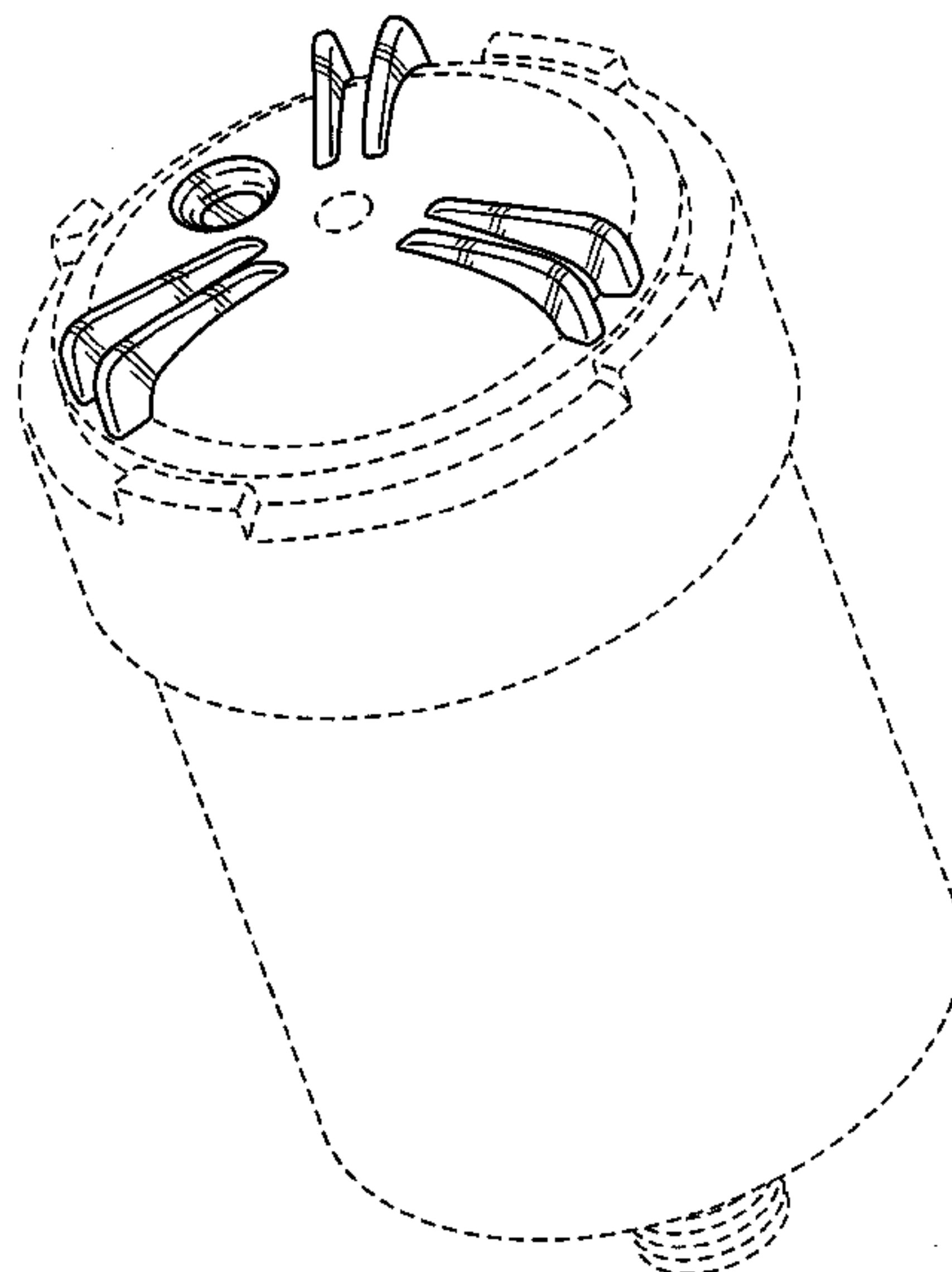
(57) **CLAIM**
The ornamental design for a lubricator apparatus, as shown and described.

- (56) **References Cited**
- U.S. PATENT DOCUMENTS**
- 1,990,524 A * 2/1935 Bystricky 222/255
- D145,393 S * 8/1946 Folke et al. D15/150
- 2,616,523 A * 11/1952 Davis 184/26
- 2,865,469 A * 12/1958 Lyden 184/55.2
- 3,720,290 A * 3/1973 Lansky et al. 184/55.2
- D234,843 S * 4/1975 Taylor D23/207
- D236,264 S * 8/1975 Taylor D23/207
- 4,291,785 A * 9/1981 Matysak 184/55.2
- 4,342,376 A * 8/1982 Lyden 184/103.1
- D293,461 S * 12/1987 Chang D23/207
- 4,721,186 A * 1/1988 Fujiwara 184/55.1
- D307,913 S * 5/1990 Ogasawara et al. D15/150

DESCRIPTION

FIG. 1 is a perspective view of a lubricator apparatus showing my new design;
FIG. 2 is a right side elevational view thereof;
FIG. 3 is a left side elevational view thereof;
FIG. 4 is a top plan view thereof; and,
FIG. 5 is a cross-sectional view thereof along section 5-5 of FIG. 4.
The portions shown in broken lines form no part of the claimed design.

1 Claim, 4 Drawing Sheets



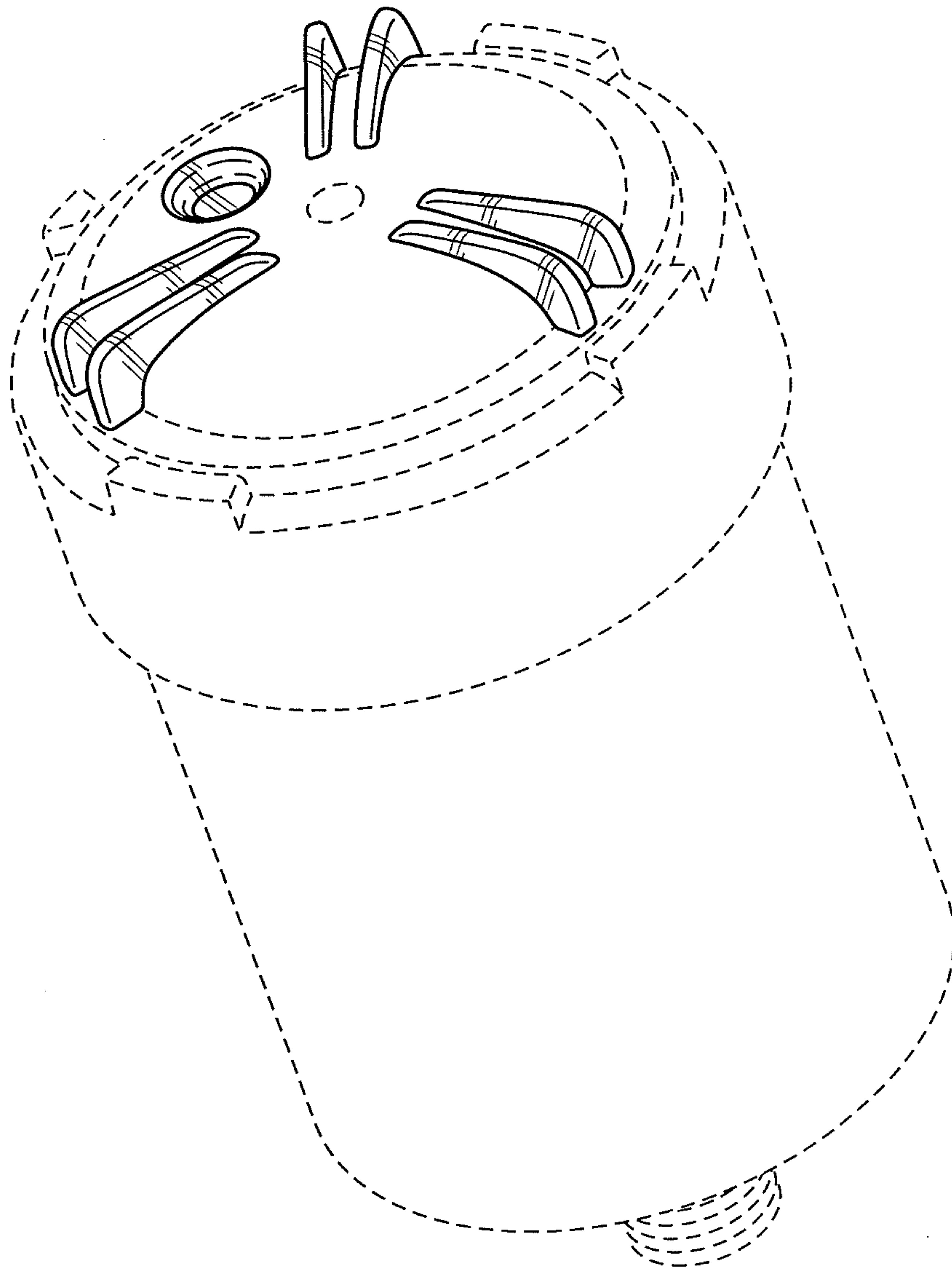


FIG. 1

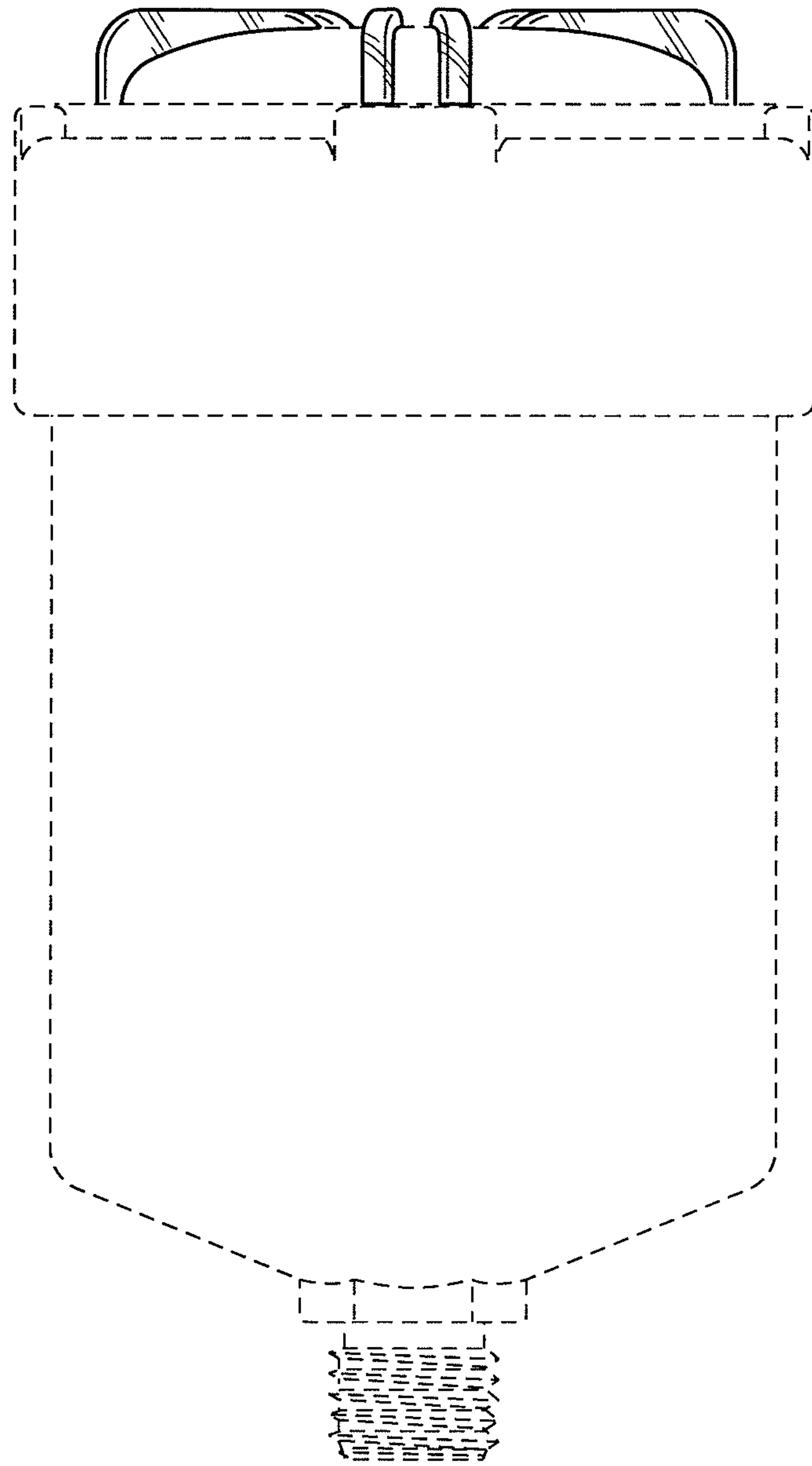


FIG. 2

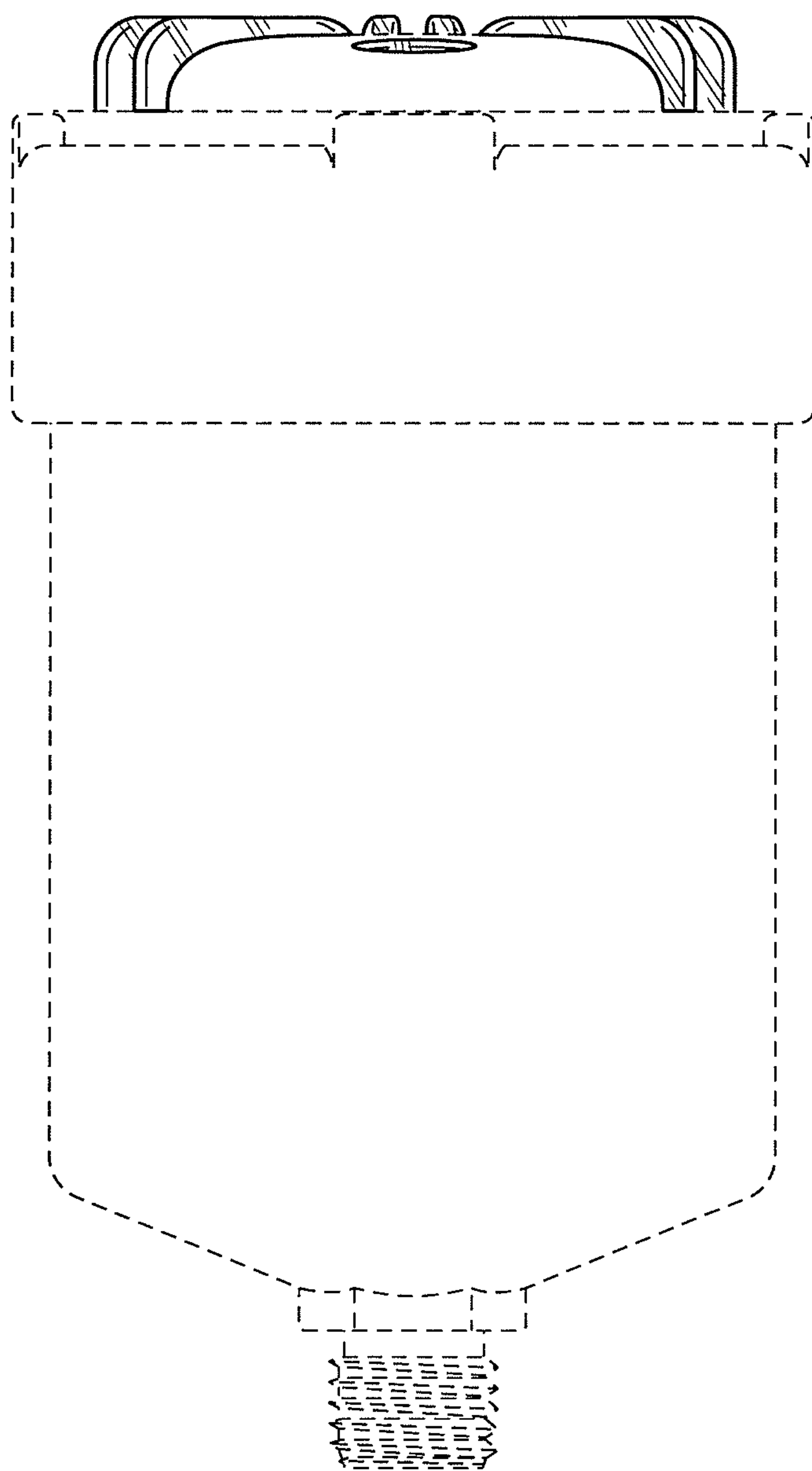


FIG. 3

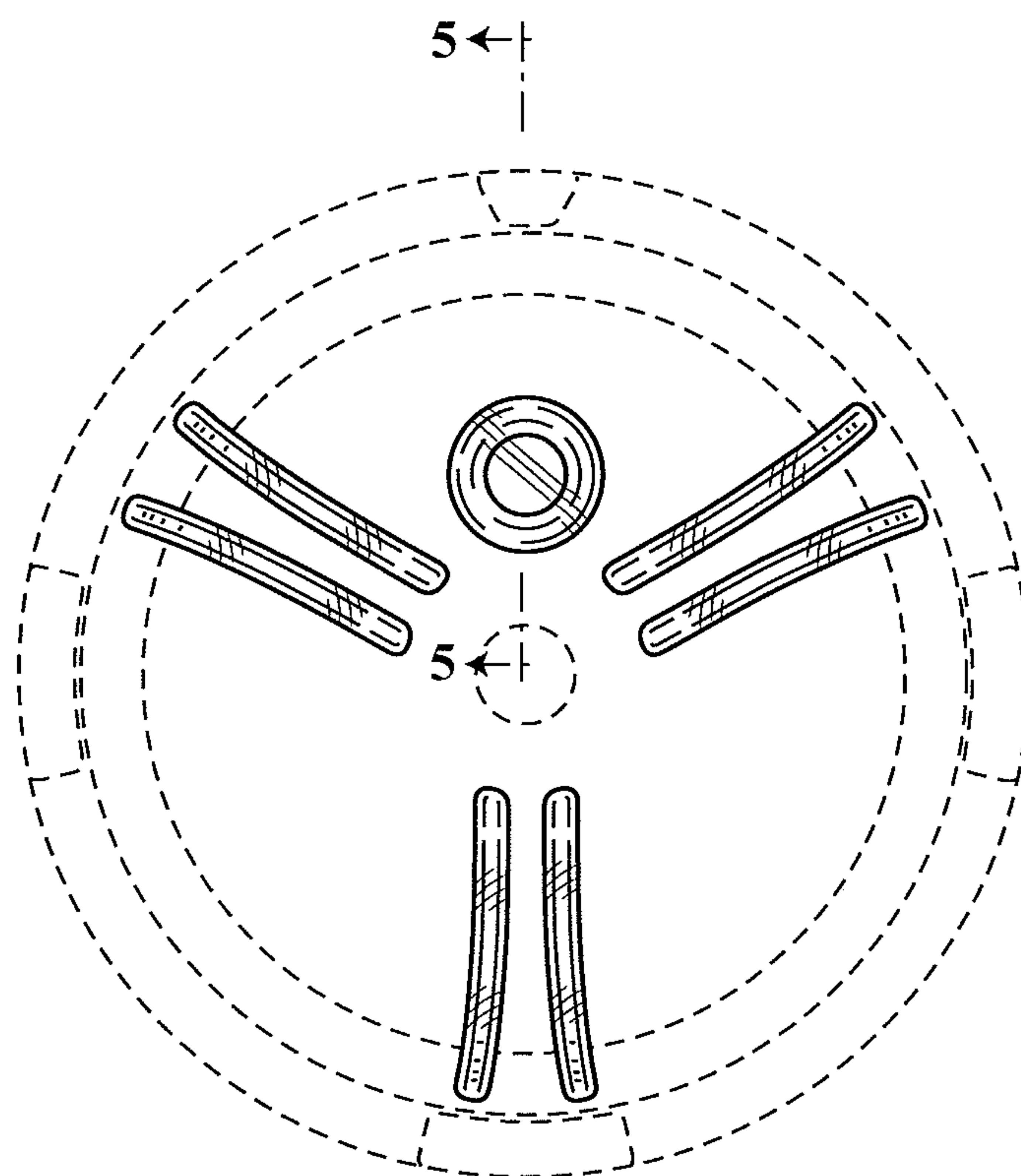


FIG. 4

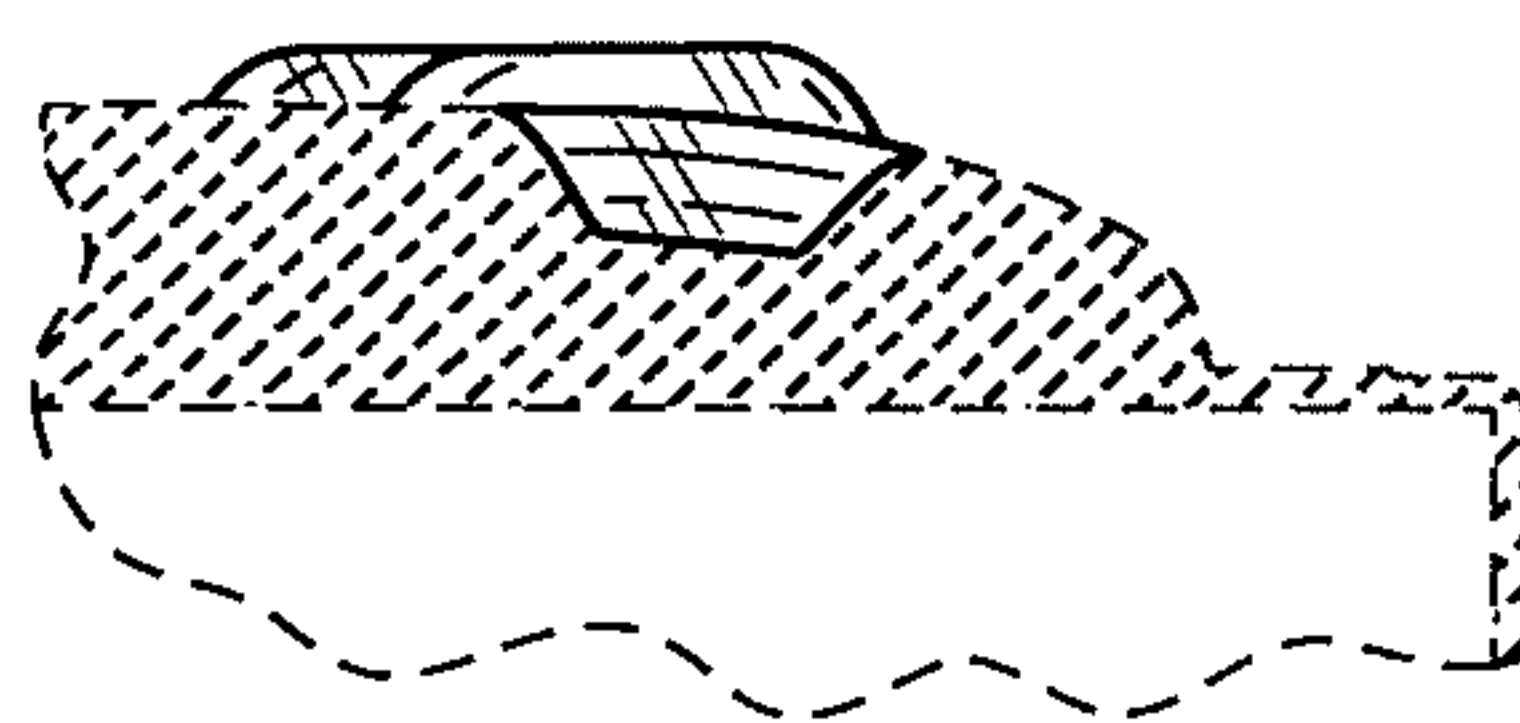


FIG. 5