



US00D683349S

(12) **United States Design Patent**
Hong et al.

(10) **Patent No.:** **US D683,349 S**

(45) **Date of Patent:** **** May 28, 2013**

(54) **EXTERIOR RIM FOR A DISPLAY DEVICE**

(75) Inventors: **Young-Soo Hong**, Kyunggi-do (KR);
Eui-Seok Kim, Kyunggi-do (KR)

(73) Assignee: **Samsung Electronics Co., Ltd.**,
Suwon-si, Gyeonggi-do (KR)

(**) Term: **14 Years**

(21) Appl. No.: **29/427,318**

(22) Filed: **Jul. 17, 2012**

(30) **Foreign Application Priority Data**

Jan. 18, 2012 (KR) 30-2012-0002591

(51) **LOC (9) Cl.** **14-02**

(52) **U.S. Cl.**
USPC **D14/448**

(58) **Field of Classification Search** D14/448,
D14/439, 440, 447, 449, 450, 451, 452, 432,
D14/434, 457, 336, 337, 339, 340, 371, 372,
D14/373, 374, 375, 376, 377, 378, 379, 380,
D14/381, 382, 126, 127, 128, 129, 203.8,
D14/217, 238.1, 239; 345/905; 248/917,
248/918, 919, 920, 921, 922, 923, 924; 348/184,
348/739, 761, 791, 825, 834, 835; 349/58,
349/60

See application file for complete search history.

(56) **References Cited**

U.S. PATENT DOCUMENTS

D393,636 S * 4/1998 Jones et al. D14/450
D438,866 S * 3/2001 Suzuki D14/439
D441,371 S * 5/2001 Suzuki D14/439
D576,121 S * 9/2008 Isshiki D14/126

D576,971 S * 9/2008 Yokota D14/126
D586,816 S * 2/2009 Shen et al. D14/447
D600,695 S * 9/2009 Niitsu et al. D14/371
D623,653 S * 9/2010 Okoshi et al. D14/450
D629,882 S * 12/2010 Nguyen D23/386
D651,607 S * 1/2012 Akana et al. D14/448

* cited by examiner

Primary Examiner — Cynthia Ramirez

(74) *Attorney, Agent, or Firm* — Flynn, Thiel, Boutell &
Tanis, P.C.

(57) **CLAIM**

The ornamental design for an exterior rim for a display device, as shown and described.

DESCRIPTION

FIG. 1 is a top front perspective view of an exterior rim for a display device showing our new design;

FIG. 2 is a front elevational view thereof;

FIG. 3 is a rear elevational view thereof;

FIG. 4 is a left side elevational view thereof;

FIG. 5 is a right side elevational view thereof;

FIG. 6 is a top plan view thereof;

FIG. 7 is a bottom plan view thereof;

FIG. 8 is a top front perspective view of an exterior rim for a display device showing a second embodiment of our new design;

FIG. 9 is a front elevational view thereof;

FIG. 10 is a rear elevational view thereof;

FIG. 11 is a left side elevational view thereof;

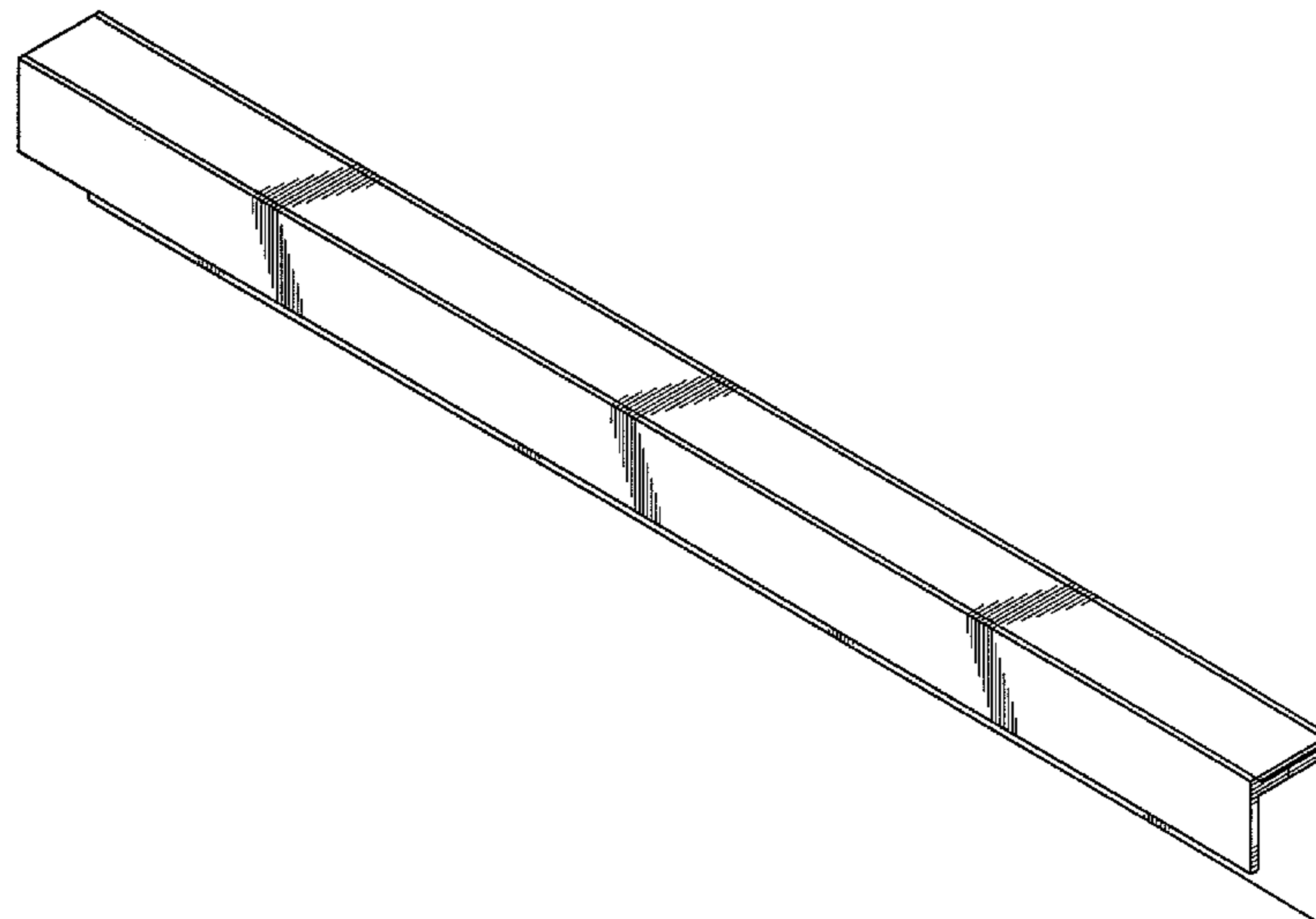
FIG. 12 is a right side elevational view thereof;

FIG. 13 is a top plan view thereof; and,

FIG. 14 is a bottom plan view thereof.

The fragmentary lines in FIGS. 8 and 11-14 show that the exterior rim for the display device is of indeterminable length and form no part of the claimed design.

1 Claim, 6 Drawing Sheets



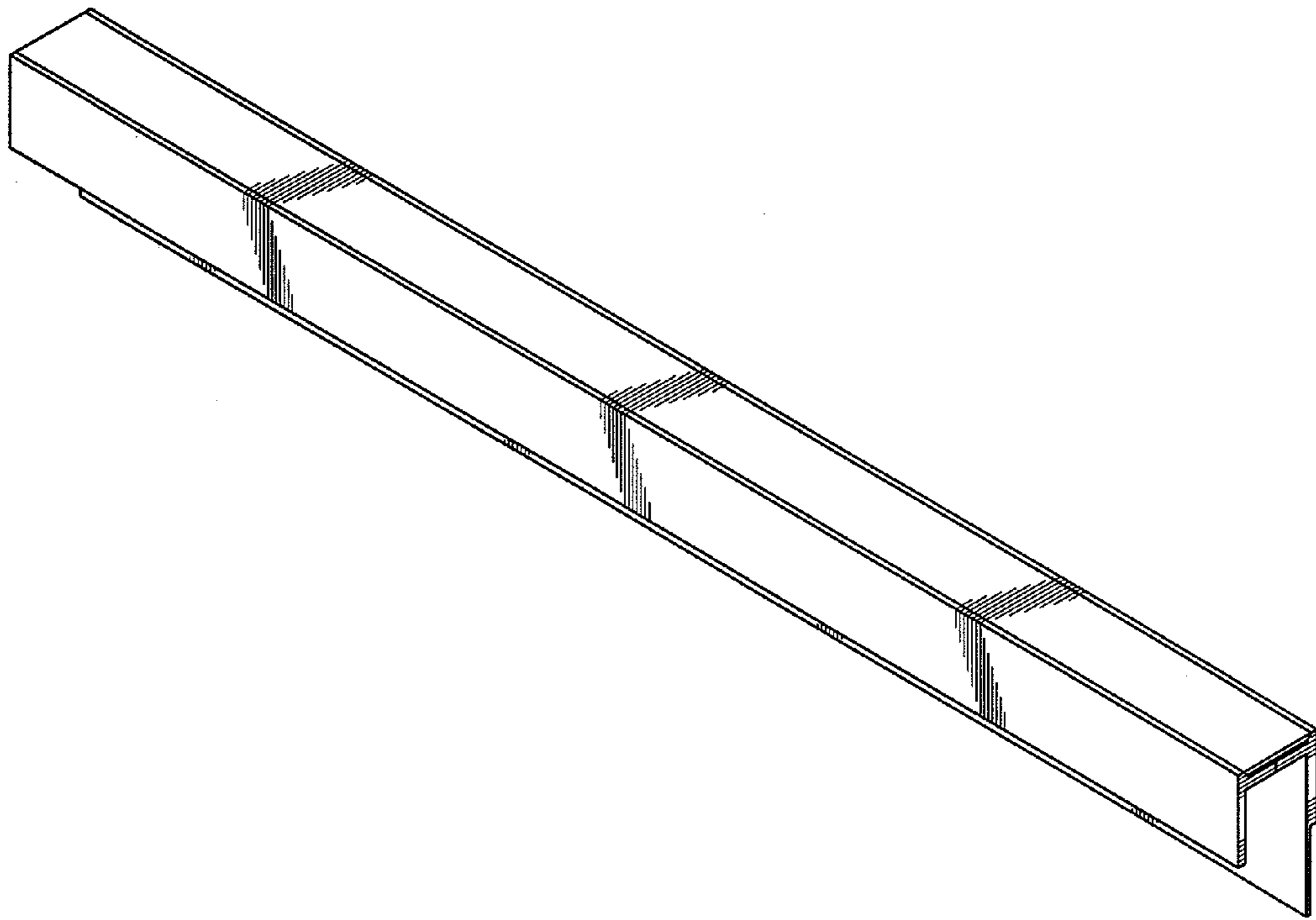


FIG.1

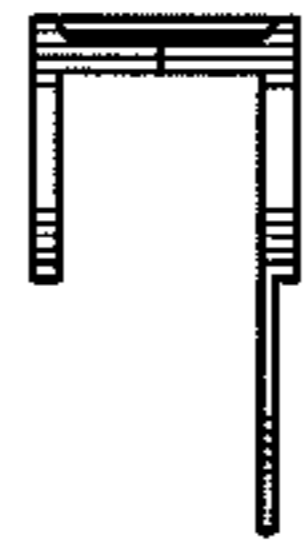


FIG. 2

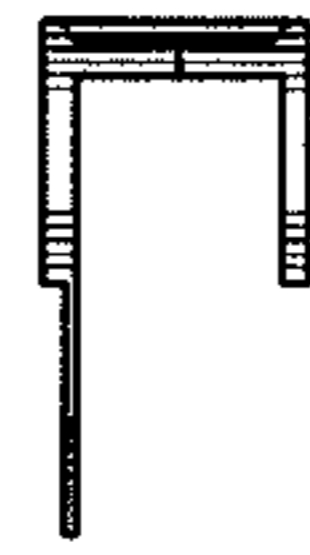


FIG. 3

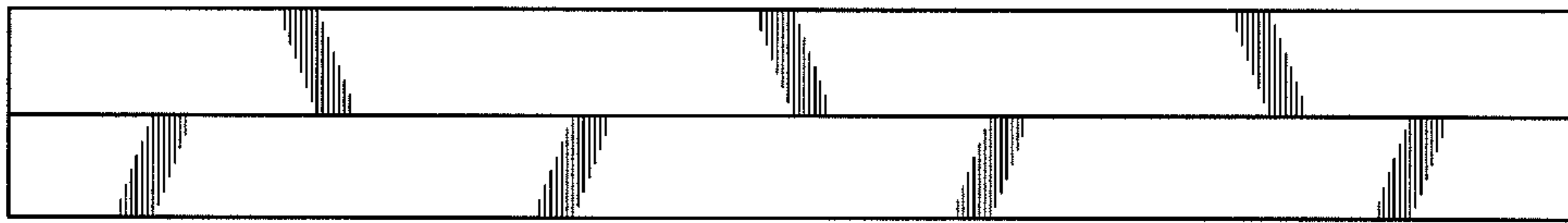


FIG. 4

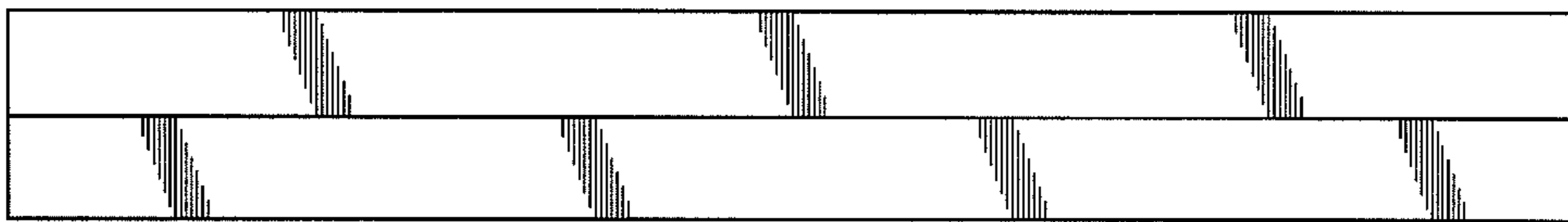


FIG. 5



FIG. 6



FIG. 7

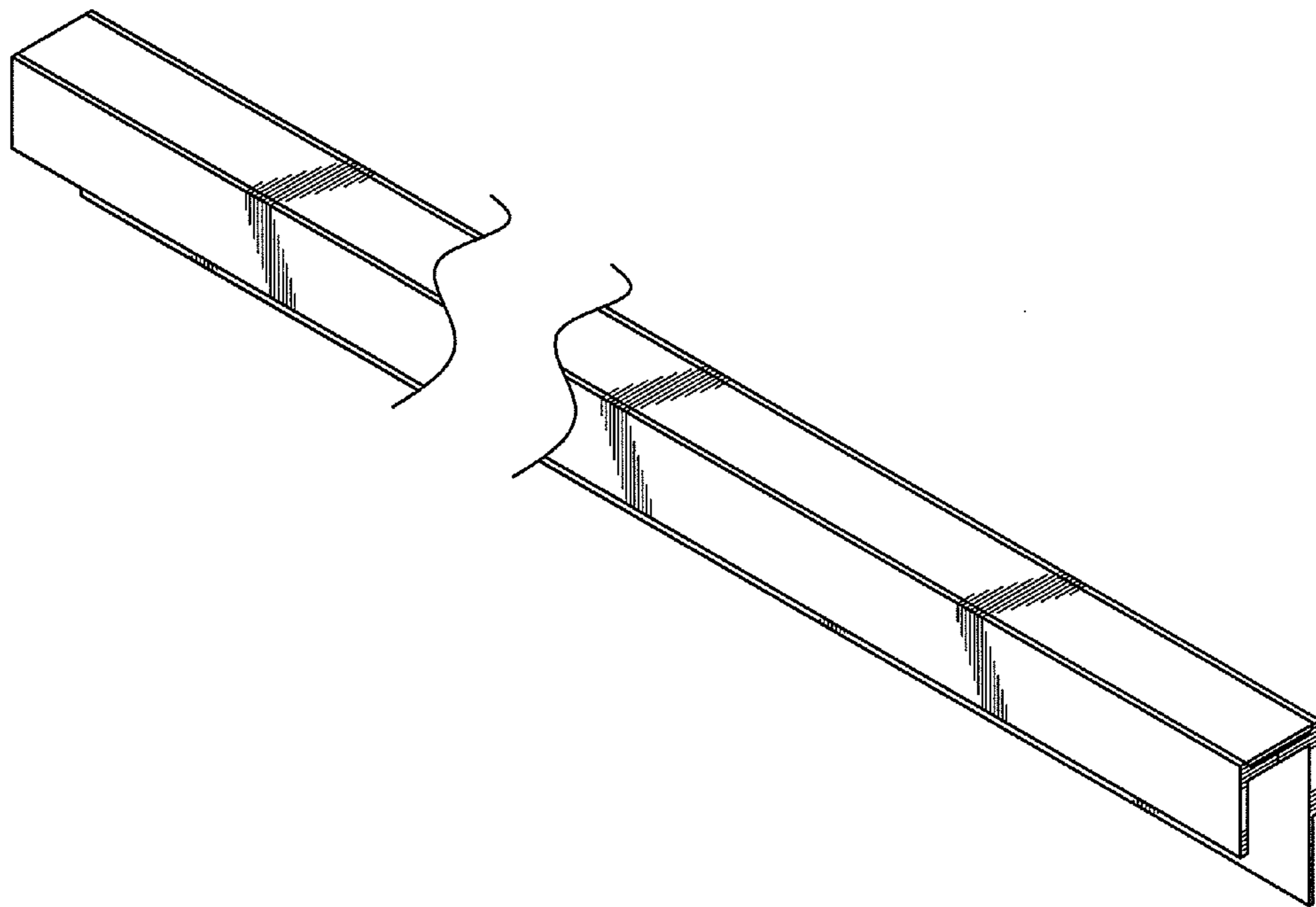


FIG. 8

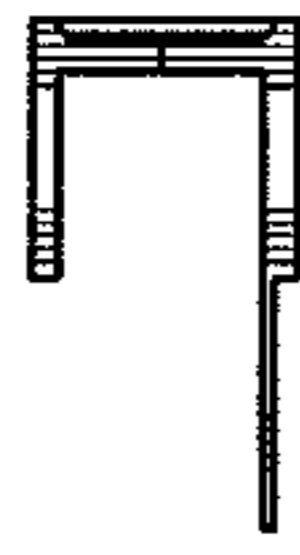


FIG. 9

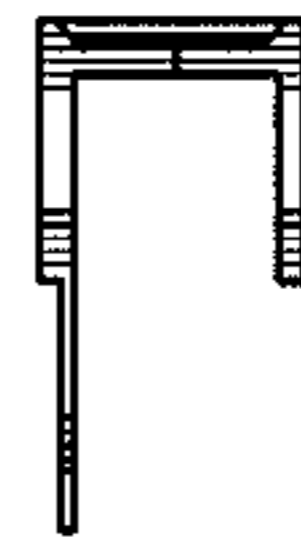


FIG. 10

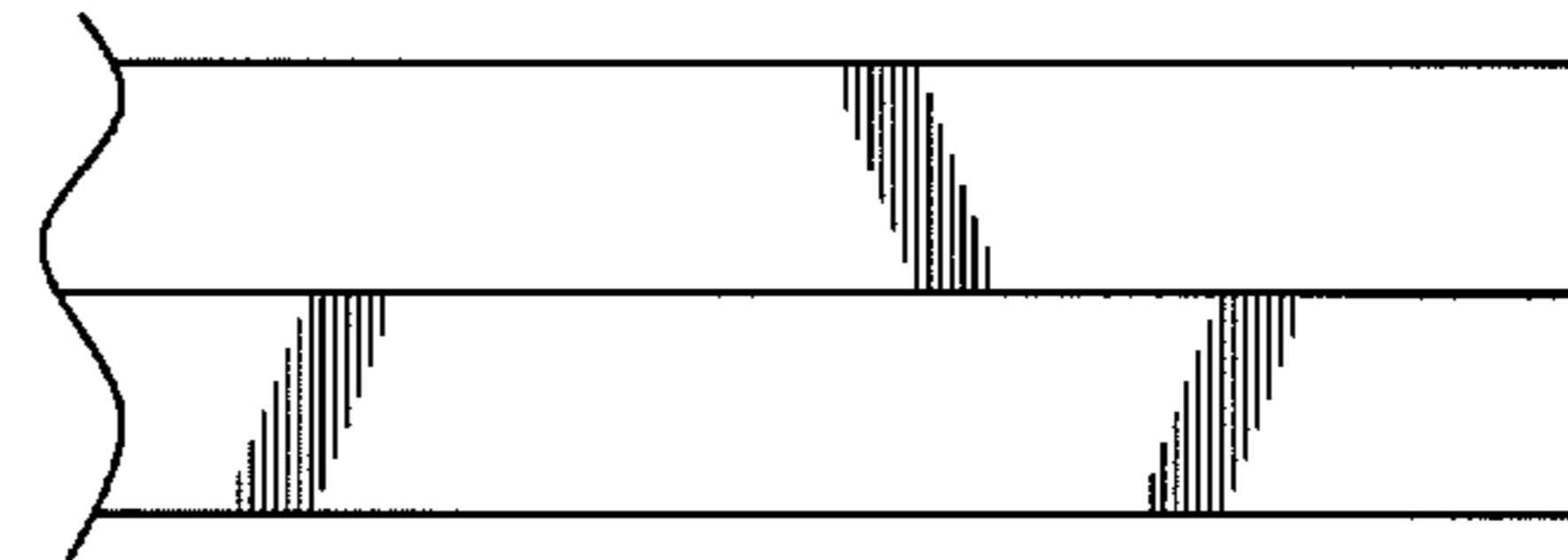
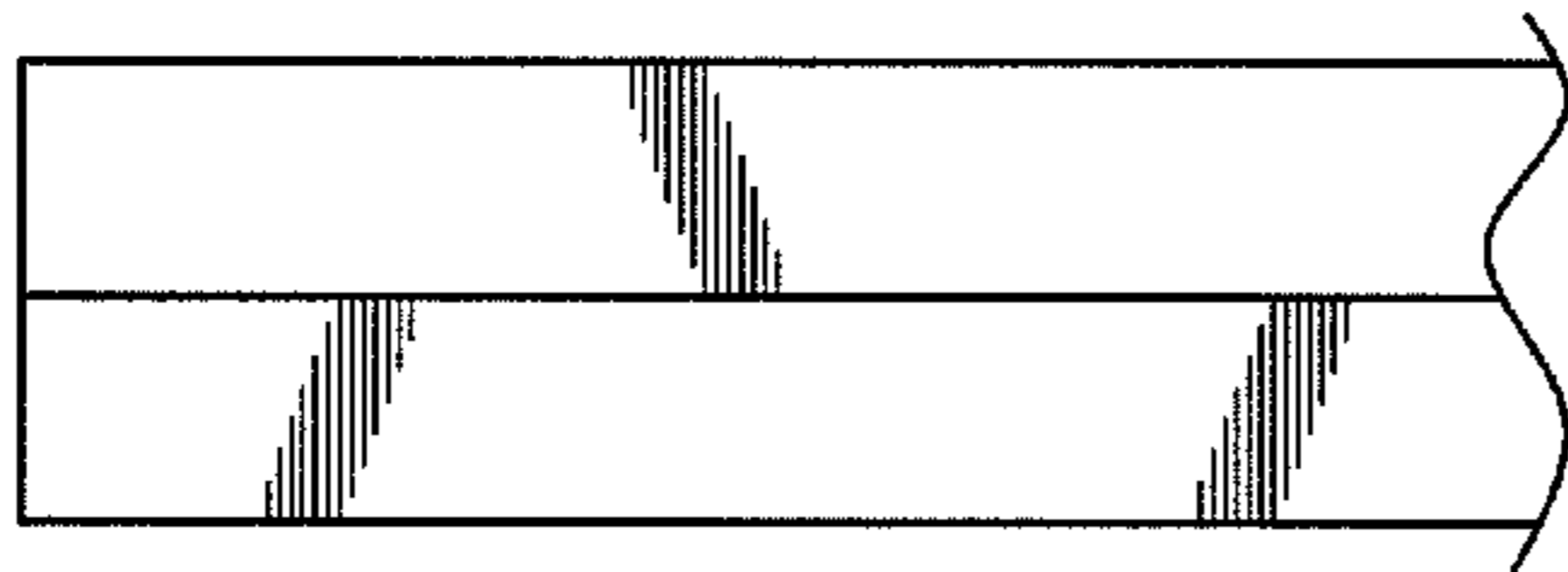


FIG. 11

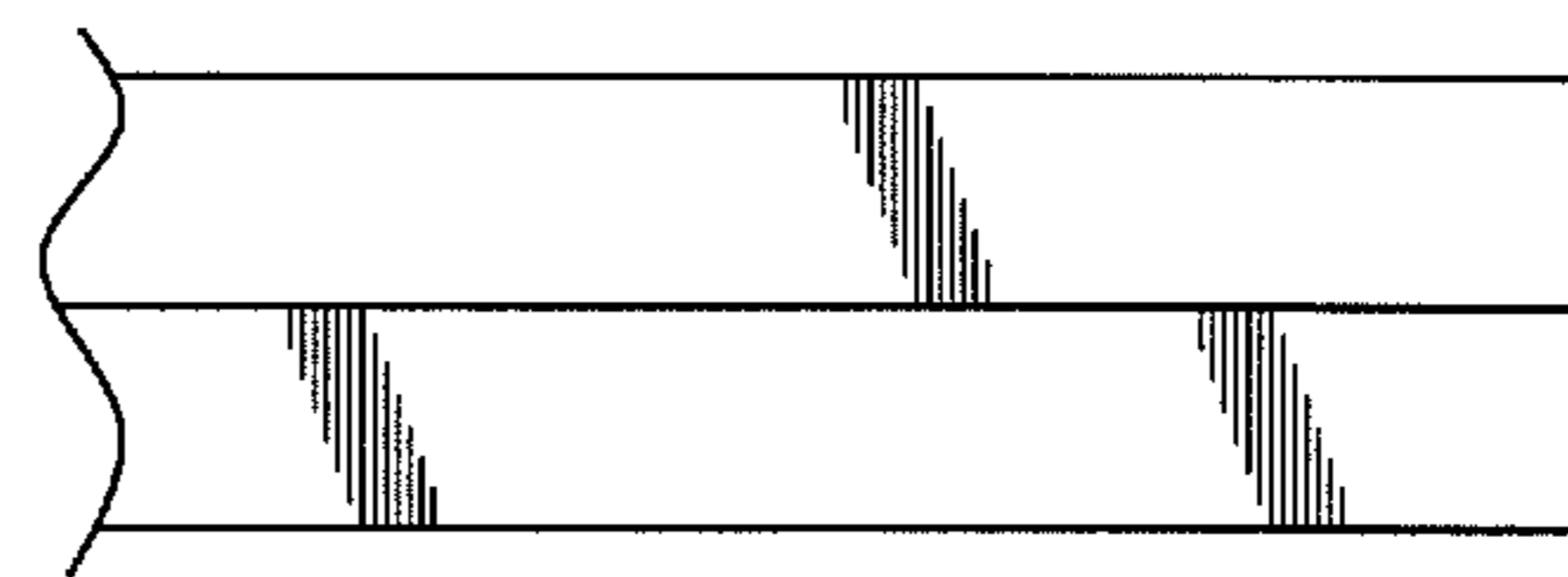
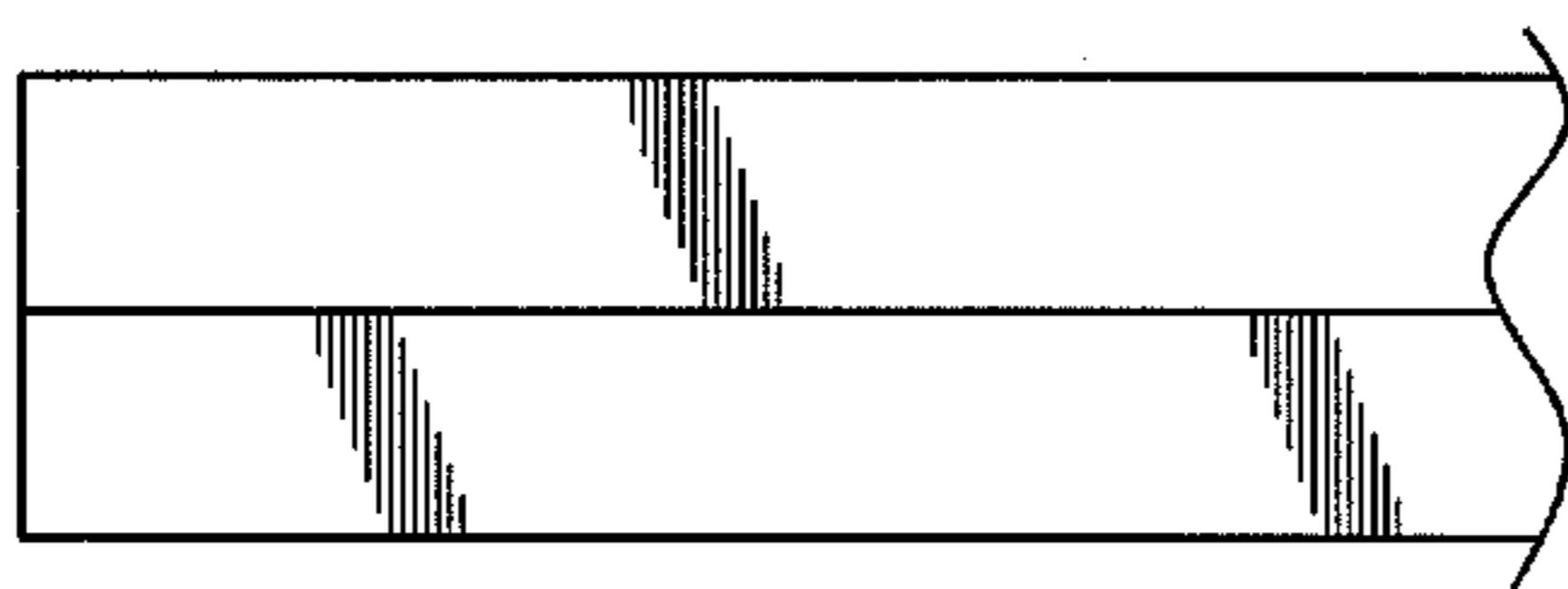


FIG. 12

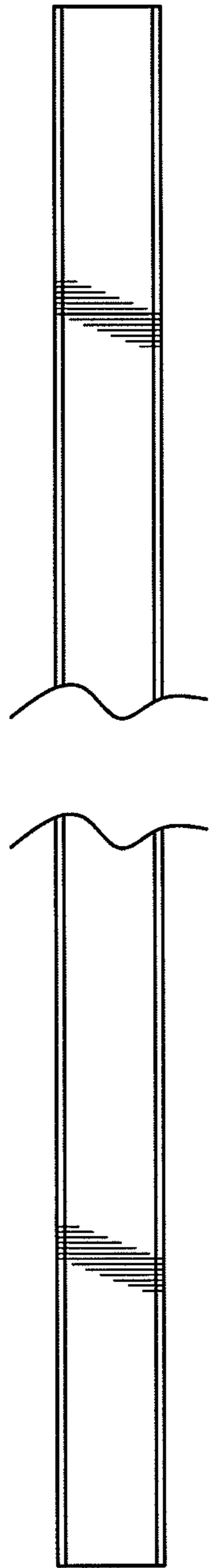


FIG. 13

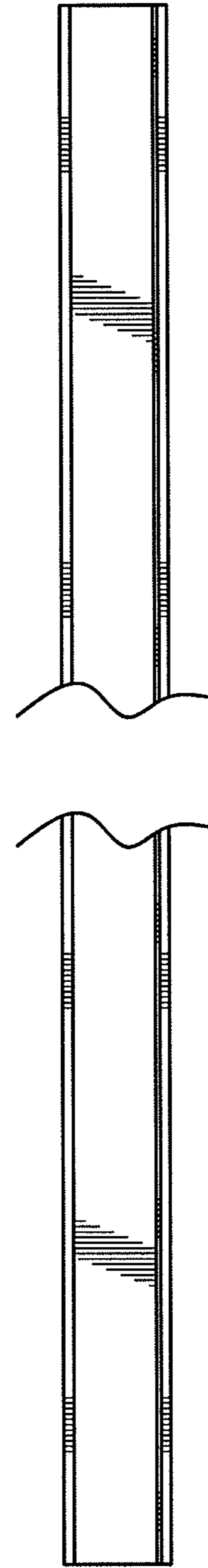


FIG. 14