



US00D683348S

(12) **United States Design Patent**
Xiang et al.

(10) **Patent No.:** **US D683,348 S**

(45) **Date of Patent:** **** May 28, 2013**

(54) **LAPTOP STAND**

(56) **References Cited**

- (71) Applicant: **Loctek Visual Technology Corp.**,
Ningbo (CN)
- (72) Inventors: **Lehong Xiang**, Ningbo (CN); **Tao Lin**,
Ningbo (CN); **Junyang Wang**, Ningbo
(CN); **Qiang Chen**, Ningbo (CN)
- (73) Assignee: **Loctek Visual Technology Corp.** (CN)

U.S. PATENT DOCUMENTS

D399,834	S	*	10/1998	Calfee	D14/451
6,707,668	B2	*	3/2004	Huang	361/679.48
D543,209	S	*	5/2007	Bae	D14/451
D576,168	S	*	9/2008	Ostroff	D14/447
D619,139	S	*	7/2010	Ho	D14/447
RE42,054	E	*	1/2011	Park et al.	D14/447
7,881,053	B1	*	2/2011	Huang	361/679.48
7,885,068	B2	*	2/2011	Seo et al.	361/695
8,075,073	B2	*	12/2011	Huang	312/330.1
D653,668	S	*	2/2012	Song et al.	D14/447
D660,305	S	*	5/2012	Ho et al.	D14/447
D667,011	S	*	9/2012	Wu et al.	D14/447
D673,571	S	*	1/2013	Akana et al.	D14/447

* cited by examiner

(**) Term: **14 Years**

Primary Examiner — Angela J Lee

(21) Appl. No.: **29/435,112**

(74) *Attorney, Agent, or Firm* — Lowe Hauptman Ham & Berner, LLP

(22) Filed: **Oct. 19, 2012**

(51) **LOC (9) Cl.** **08-07**

(52) **U.S. Cl.**
USPC **D14/447**

(58) **Field of Classification Search**
USPC D14/447, 448, 451, 452, 440, 432,
D14/434, 439, 457, 238.1, 217, 251, 252,
D14/253, 239, 250; D6/406.3, 406.4, 406.5,
D6/406.6; 361/679.09, 679.26, 679.27, 679.28,
361/679.29, 679.3, 679.55, 679.56;
248/917-924, 133, 136, 139, 150, 176.1,
248/188.6, 288.31; D13/108

See application file for complete search history.

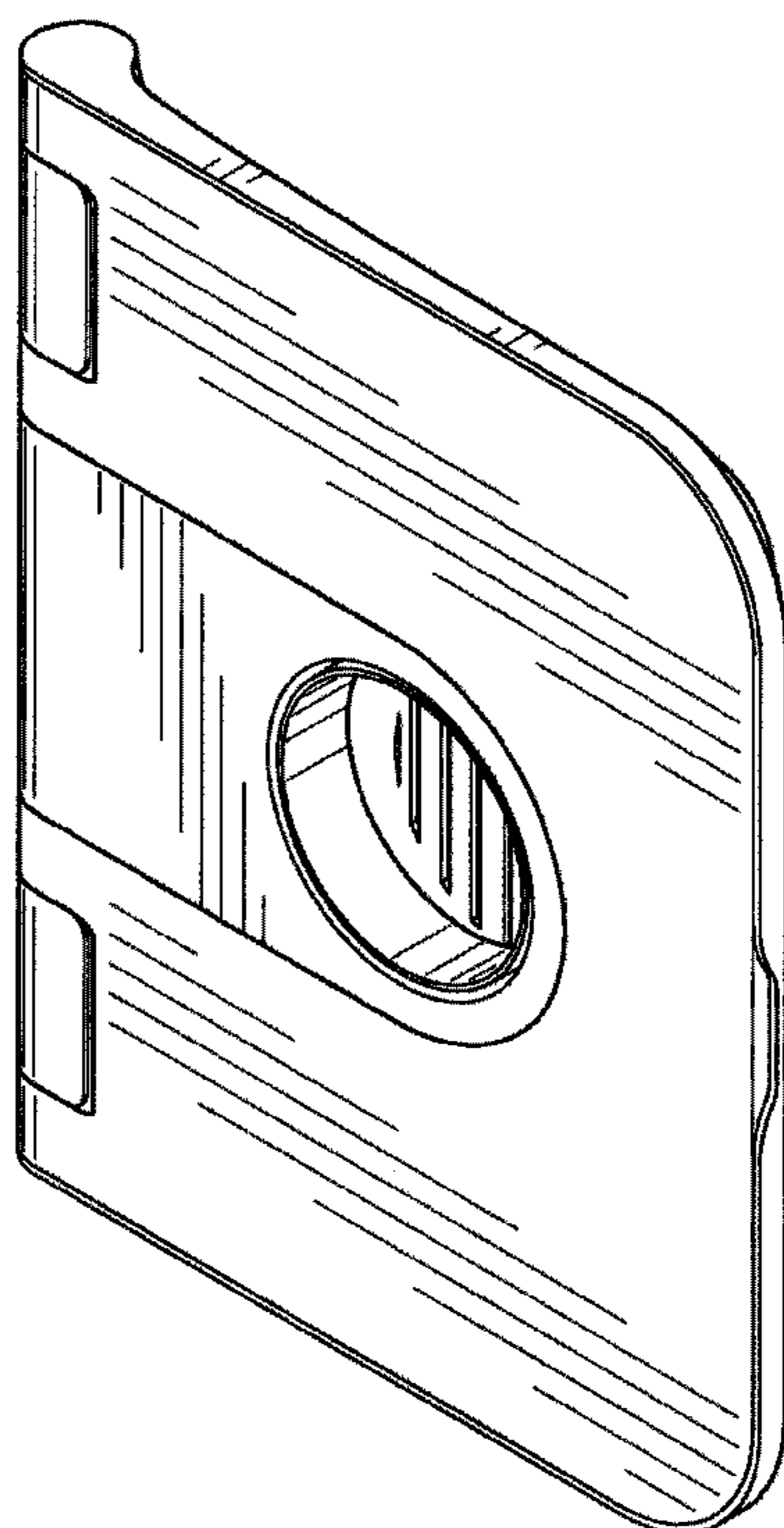
(57) **CLAIM**

The ornamental design for laptop stand, as shown and described.

DESCRIPTION

FIG. 1 is a front view of a laptop stand bearing the design; FIG. 2 is a back view of the laptop stand of FIG. 1; FIG. 3 is a top view of the laptop stand of FIG. 1; FIG. 4 is a bottom view of the laptop stand of FIG. 1; FIG. 5 is a left side view of the laptop stand of FIG. 1; FIG. 6 is a right side view of the laptop stand of FIG. 1; and, FIG. 7 is a front-top perspective view of the laptop stand of FIG. 1.

1 Claim, 7 Drawing Sheets



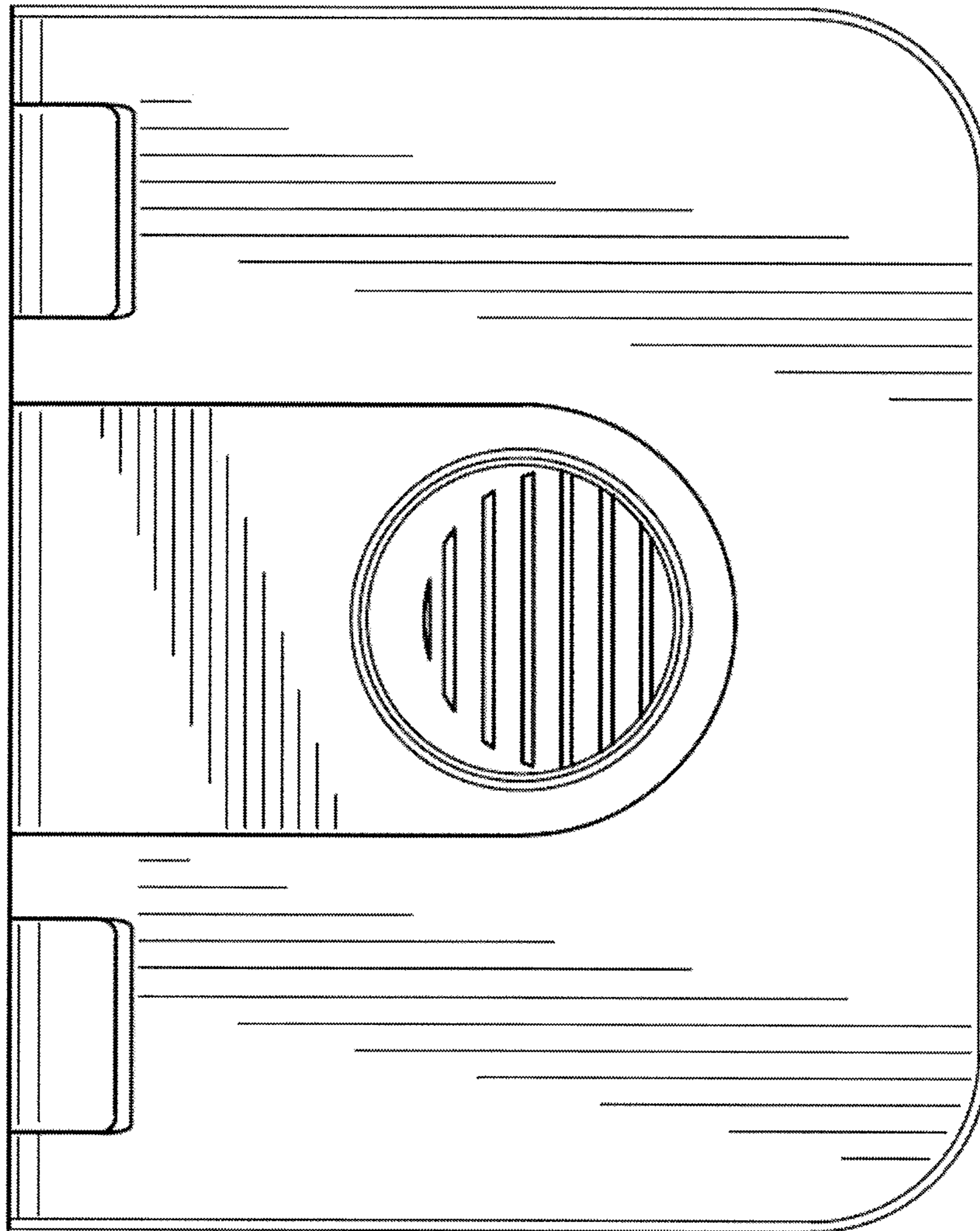


FIGURE 1

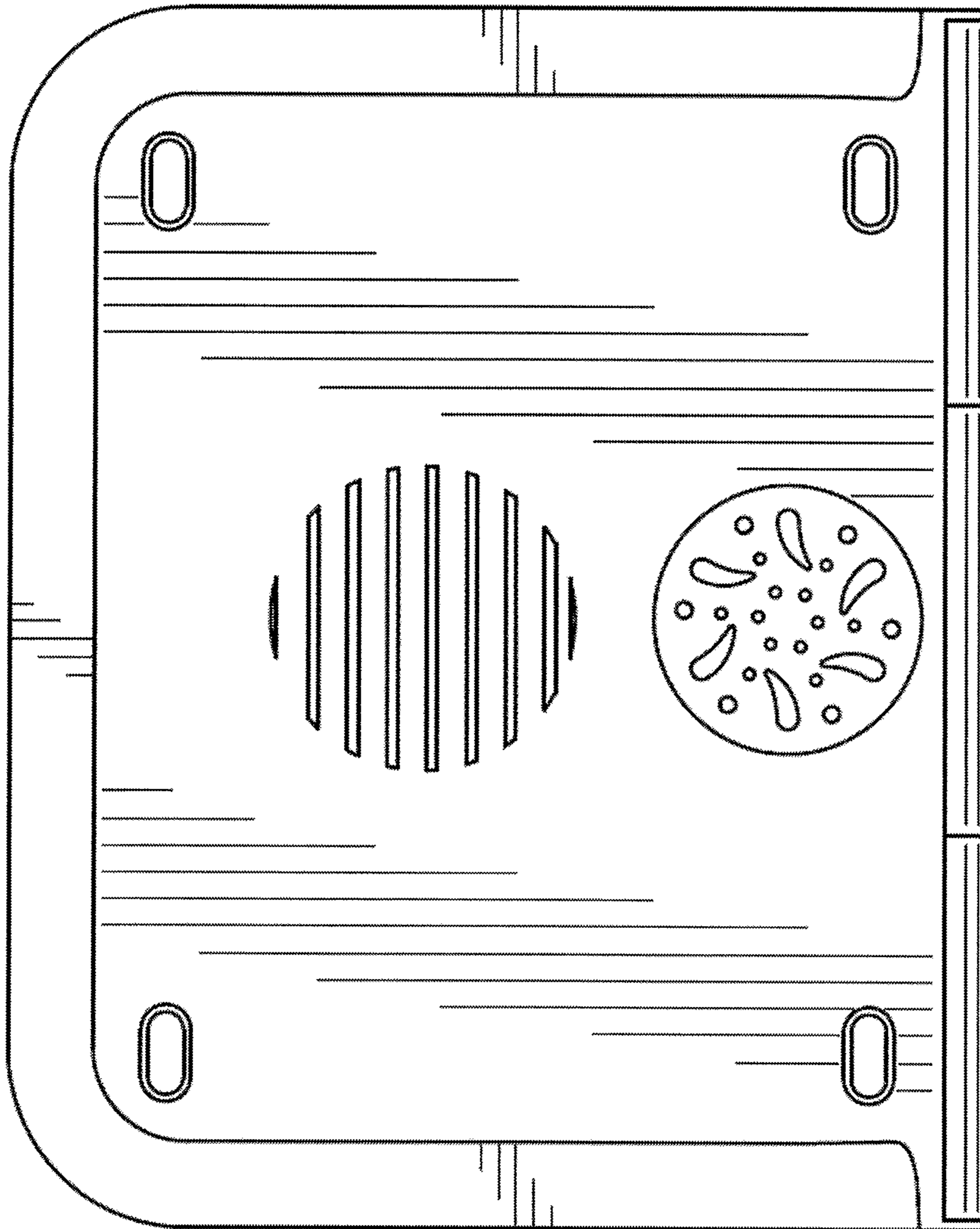


FIGURE 2

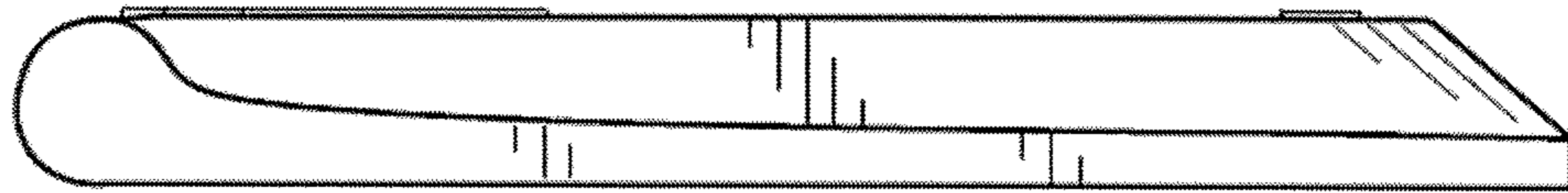


FIGURE 3

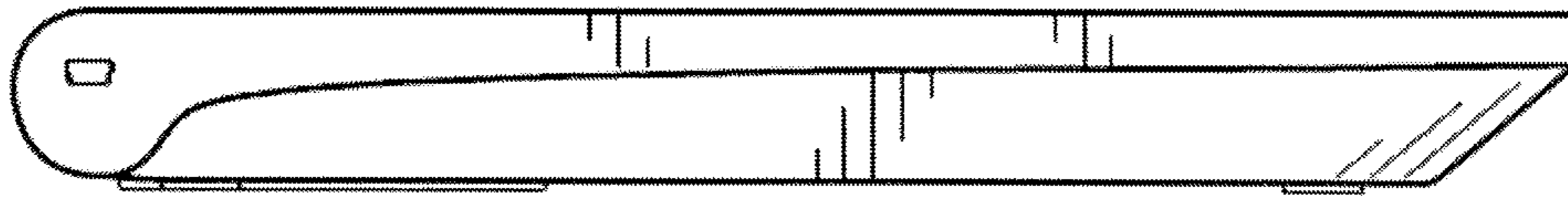


FIGURE 4

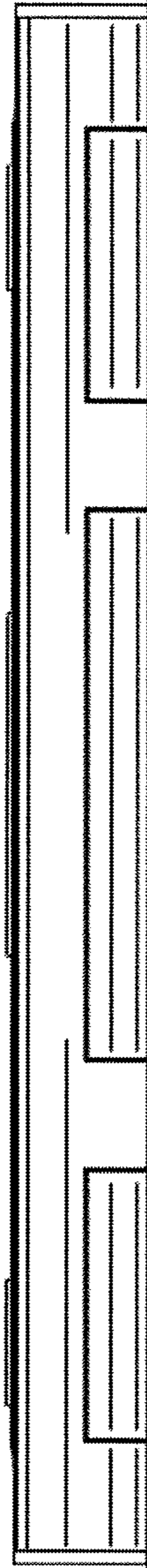


FIGURE 5

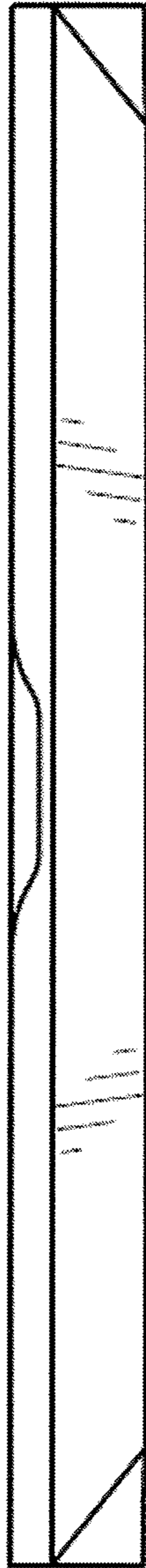


FIGURE 6

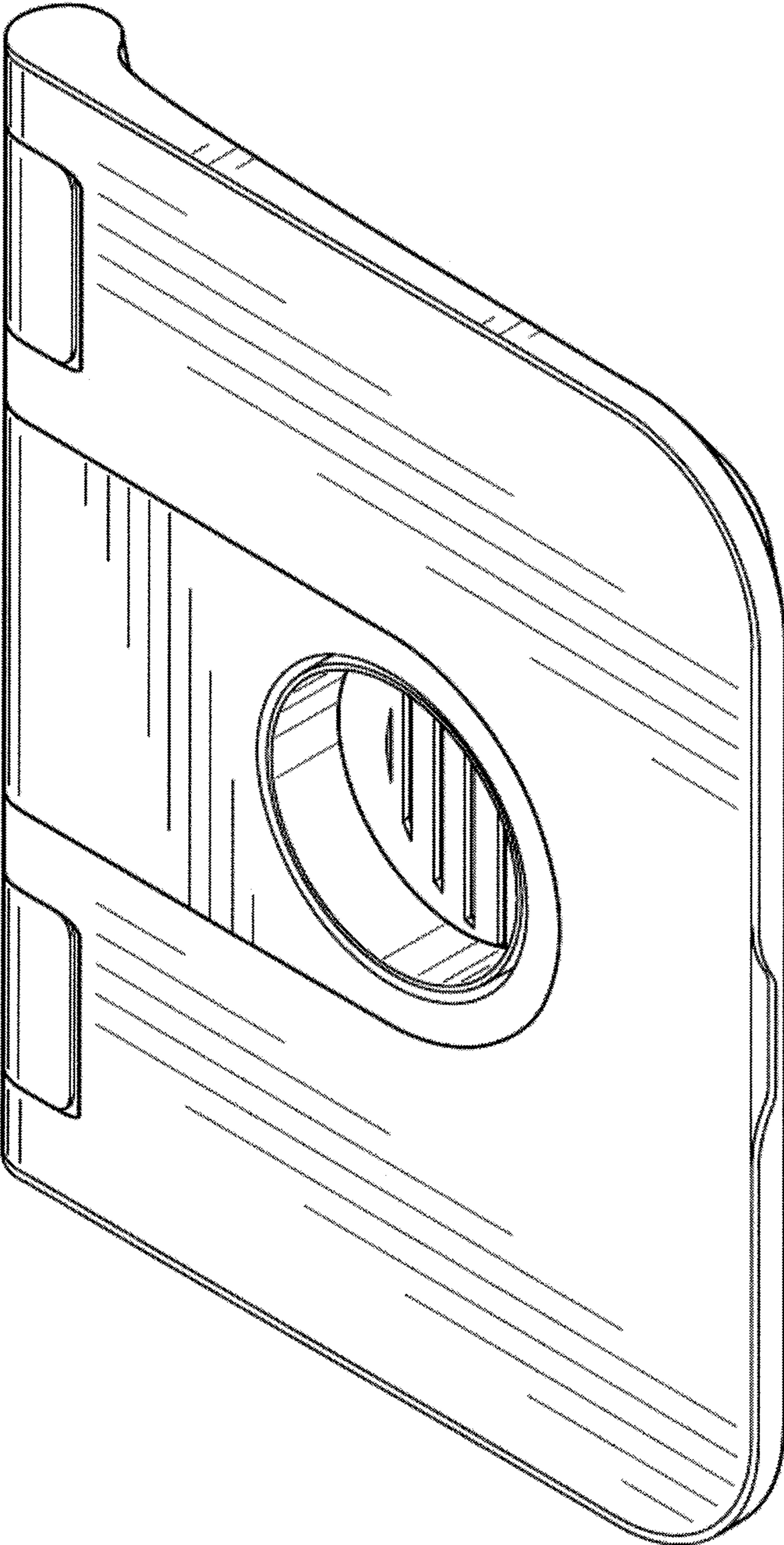


FIGURE 7