



US00D683337S

(12) **United States Design Patent**
Kim et al.

(10) **Patent No.:** **US D683,337 S**

(45) **Date of Patent:** **** May 28, 2013**

(54) **STAND FOR TV RECEIVER**

(75) Inventors: **Hee-Bong Kim**, Kyunggi-do (KR);
Eui-Seok Kim, Kyunggi-do (KR)

(73) Assignee: **Samsung Electronics Co., Ltd.**,
Suwon-si, Gyeonggi-do (KR)

(**) **Term:** **14 Years**

(21) **Appl. No.:** **29/430,045**

(22) **Filed:** **Aug. 21, 2012**

(30) **Foreign Application Priority Data**

Apr. 19, 2012 (KR) 30-2012-0018505

(51) **LOC (9) Cl.** **14-03**

(52) **U.S. Cl.**
USPC **D14/239**

(58) **Field of Classification Search**
USPC D14/447, 451, 452, 239, 432, 434,
D14/439, 448, 457, 251, 253, 224, 224.1,
D14/126, 127, 371, 373, 374, 375; D8/363,
D8/373, 380; 248/917, 918, 919, 920, 921,
248/922, 923, 924, 441.1, 460, 122.1, 125.7,
248/371, 176.1, 176.3, 222.52, 276.1, 324;
361/679.06, 679.04, 679.21, 679.22, 679.56
See application file for complete search history.

(56) **References Cited**

U.S. PATENT DOCUMENTS

D243,346 S * 2/1977 Samuels D27/192
D427,169 S * 6/2000 Saeki et al. D14/126
D439,225 S * 3/2001 Kita D14/126
D453,747 S * 2/2002 Kita D14/126

D469,432 S * 1/2003 Tsuji D14/375
D492,269 S * 6/2004 Kita D14/126
D497,599 S * 10/2004 Kita D14/126
7,911,775 B2 * 3/2011 Azami 361/679.21

OTHER PUBLICATIONS

U.S. Appl. No. 29/426,413, Applicant: Su-An Choi, et al., filed Jul. 5, 2012 entitled Stand for a TV Receiver.

U.S. Appl. No. 29/426,422, Applicant: Su-An Choi, filed Jul. 5, 2012 entitled Stand for a Monitor.

U.S. Appl. No. 29/422,967, Applicant: Bo-Kyung Seong, et al., filed May 25, 2012 entitled Stand for a Display Device.

U.S. Appl. No. 29/427,963, Applicant: Young-Jin Seo, et al., filed Jul. 24, 2012 entitled Stand for Monitor.

* cited by examiner

Primary Examiner — Raphael Barkai

Assistant Examiner — Randall Gholson

(74) *Attorney, Agent, or Firm* — Flynn, Thiel, Boutell & Tanis, P.C.

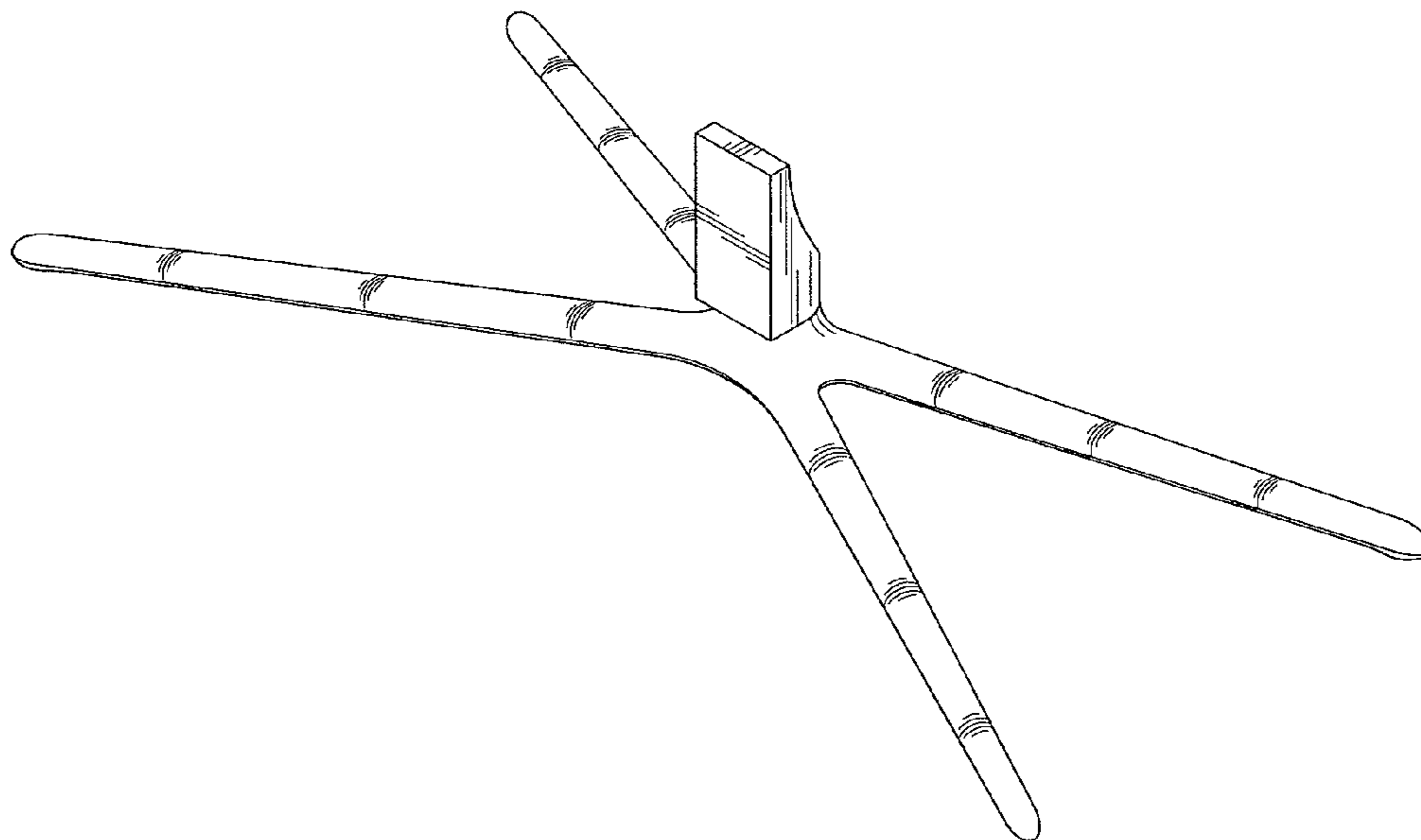
(57) **CLAIM**

The ornamental design for a stand for TV receiver, as shown and described.

DESCRIPTION

FIG. 1 is a top front perspective view of a stand for TV receiver showing our new design;
FIG. 2 is a front elevational view thereof;
FIG. 3 is a rear elevational view thereof;
FIG. 4 is a left side elevational view thereof;
FIG. 5 is a right side elevational view thereof;
FIG. 6 is a top plan view thereof; and,
FIG. 7 is a bottom plan view thereof.

1 Claim, 4 Drawing Sheets



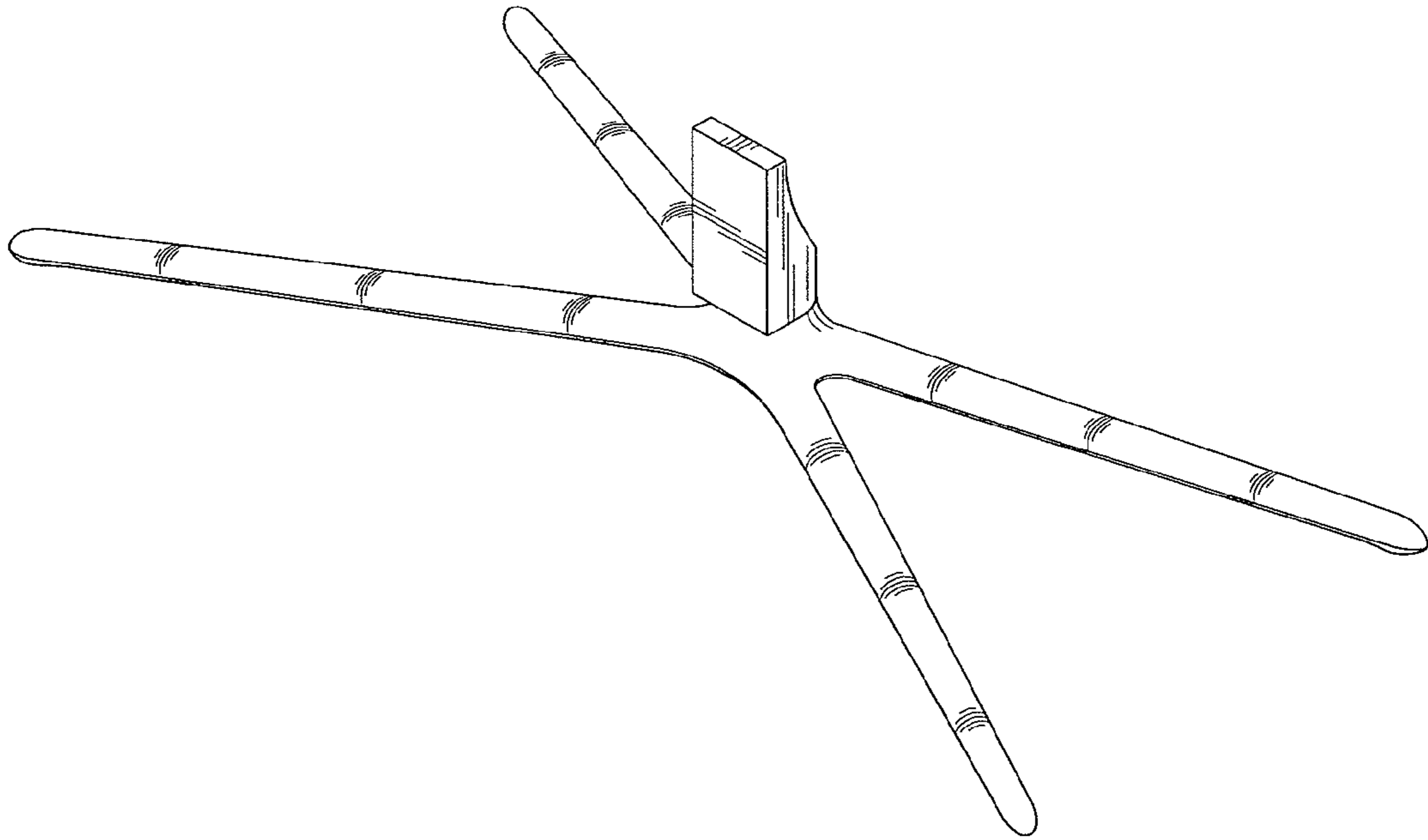


FIG.1

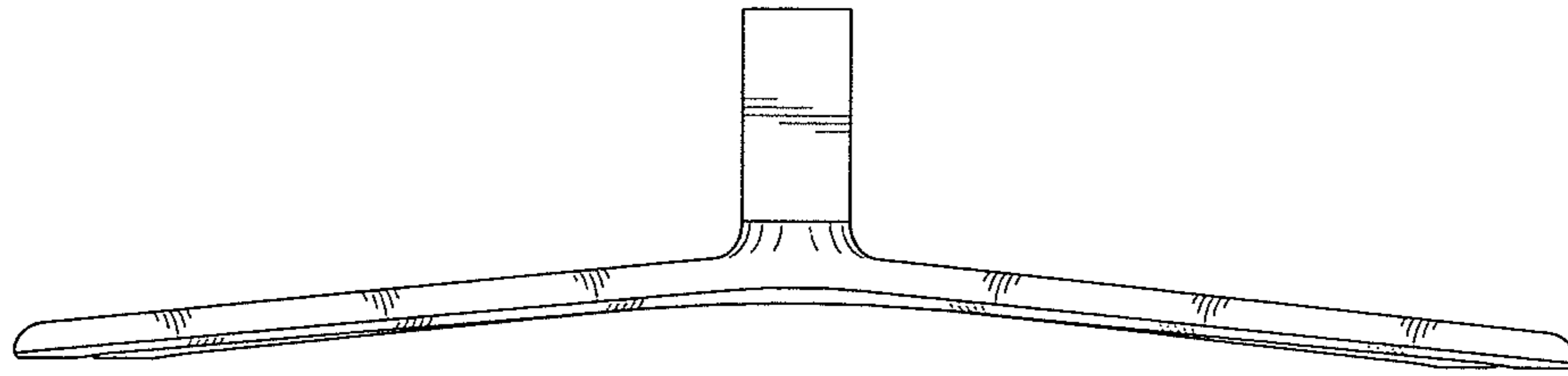


FIG. 2

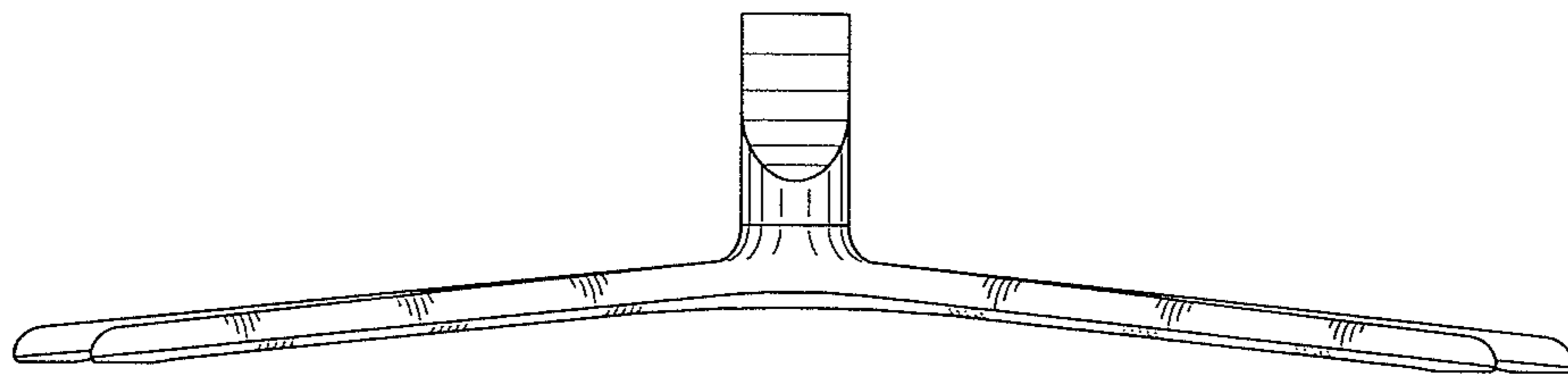


FIG. 3

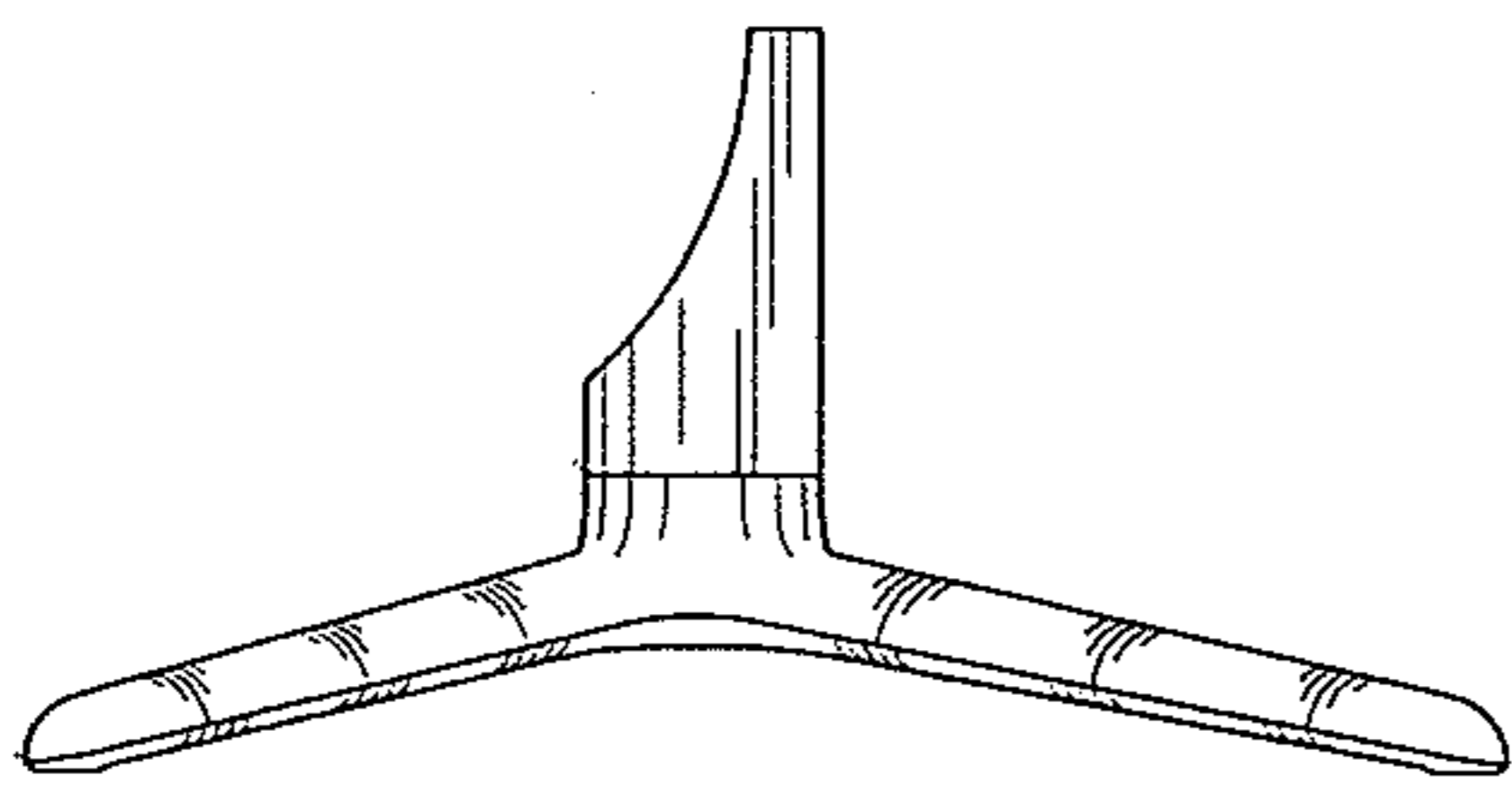


FIG. 4

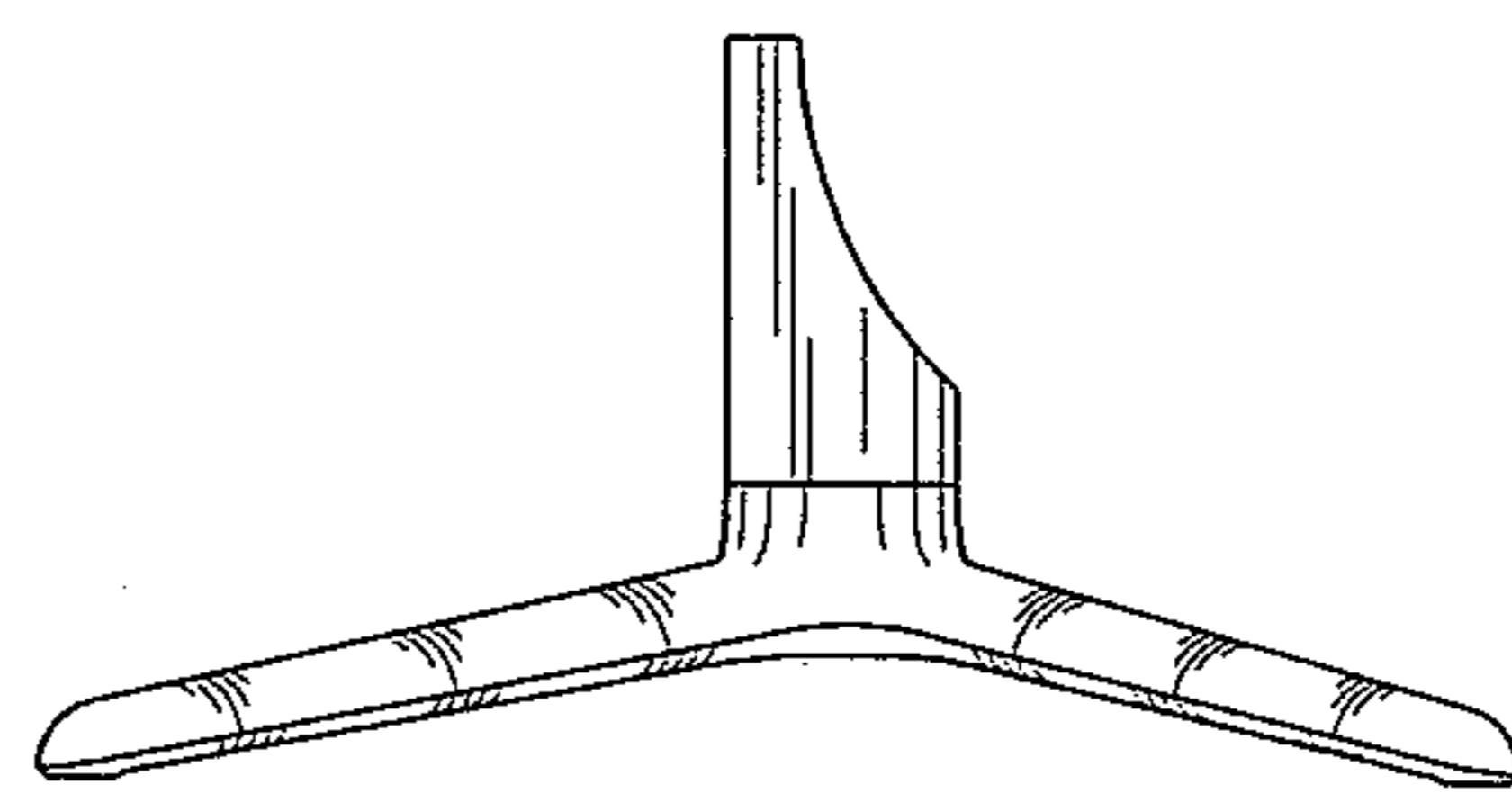


FIG. 5

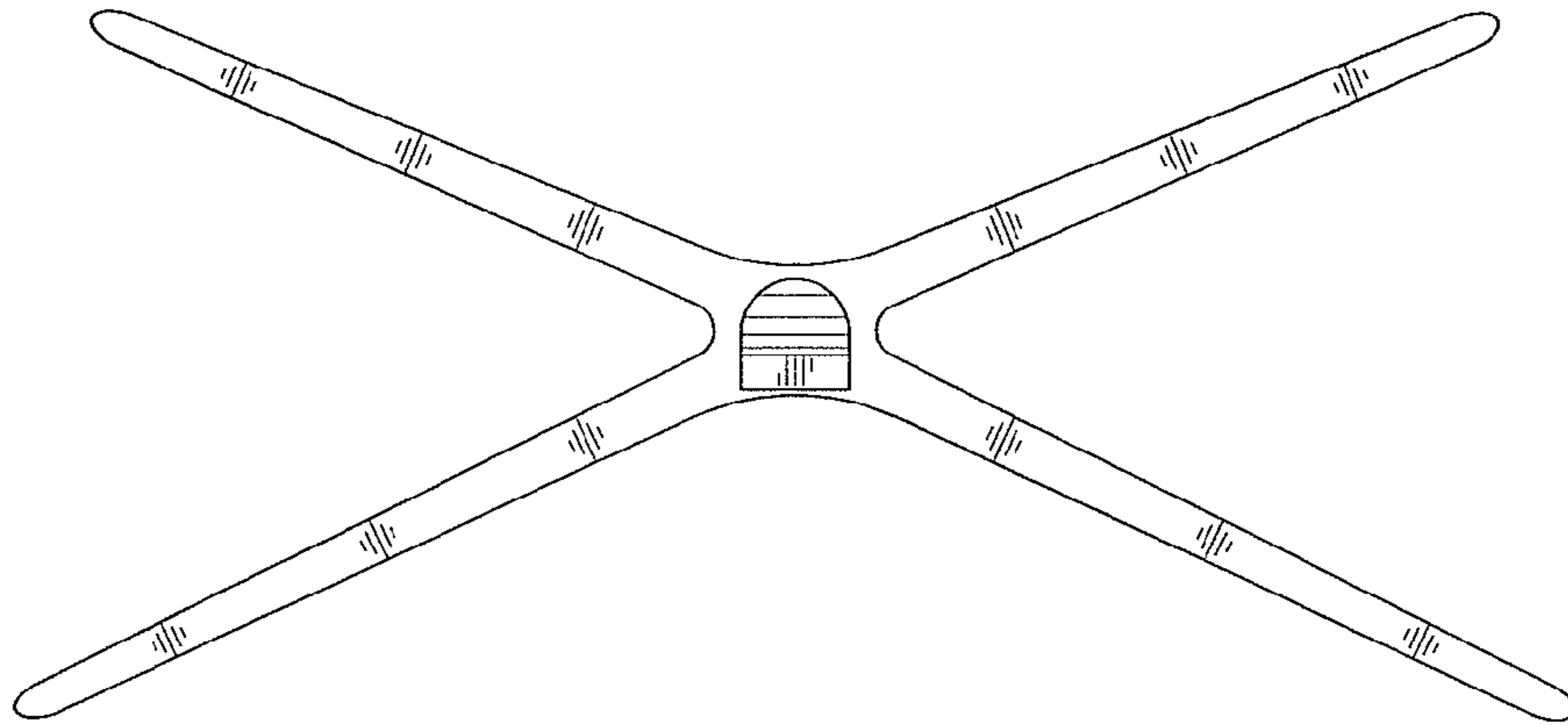


FIG. 6

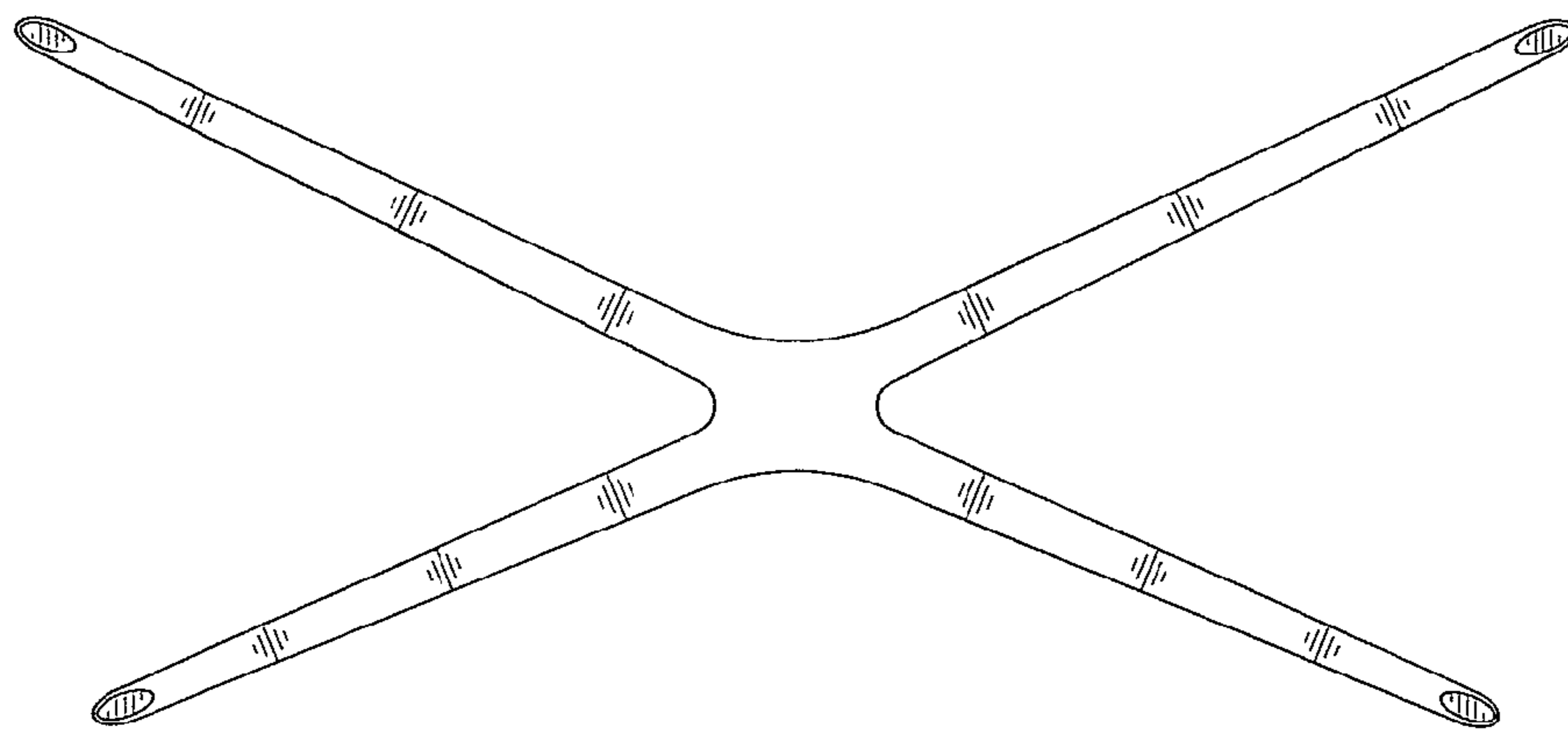


FIG. 7