



US00D683334S

(12) **United States Design Patent**
Gondo

(10) **Patent No.:** **US D683,334 S**

(45) **Date of Patent:** **** May 28, 2013**

(54) **EARPHONE**

(75) **Inventor:** **Makoto Gondo, Kanagawa (JP)**

(73) **Assignee:** **JVC Kenwood Corporation, Kanagawa (JP)**

(**) **Term:** **14 Years**

(21) **Appl. No.:** **29/420,363**

(22) **Filed:** **May 8, 2012**

(30) **Foreign Application Priority Data**

Nov. 8, 2011 (JP) 2011-025725

(51) **LOC (9) Cl.** **14-01**

(52) **U.S. Cl.**
USPC **D14/223**

(58) **Field of Classification Search**
USPC D14/205, 206, 223; 181/129, 130,
181/135; 379/430, 431; 381/380, 381; 455/90.3,
455/575.1

See application file for complete search history.

(56) **References Cited**

U.S. PATENT DOCUMENTS

D477,822 S * 7/2003 Komiyama D14/223
D539,268 S * 3/2007 Suzuki D14/206
D567,217 S * 4/2008 Kamo et al. D14/205

D573,978 S * 7/2008 Ledbetter et al. D14/205
D584,293 S * 1/2009 Kim et al. D14/223
D587,681 S * 3/2009 Yanai D14/205
D606,971 S * 12/2009 Christopher et al. D14/205
D627,764 S * 11/2010 Tsai et al. D14/223
D629,395 S * 12/2010 Lee et al. D14/223
D637,182 S * 5/2011 Lee et al. D14/223
D656,491 S * 3/2012 Nomura D14/223
D664,951 S * 8/2012 Ang et al. D14/223
D674,377 S * 1/2013 Schaefer D14/223

* cited by examiner

Primary Examiner — Paula Greene

(74) *Attorney, Agent, or Firm* — Osha Liang LLP

(57) **CLAIM**

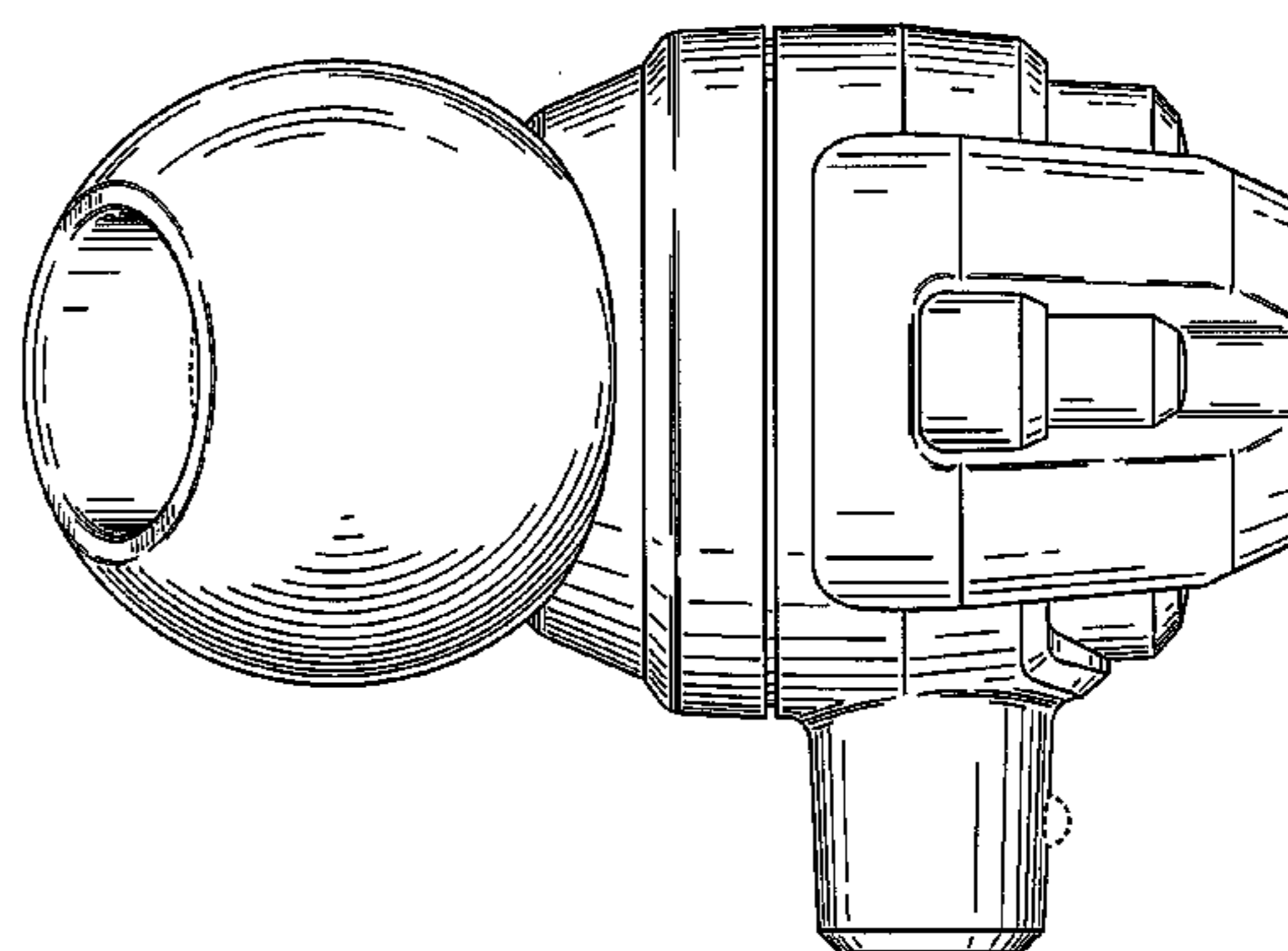
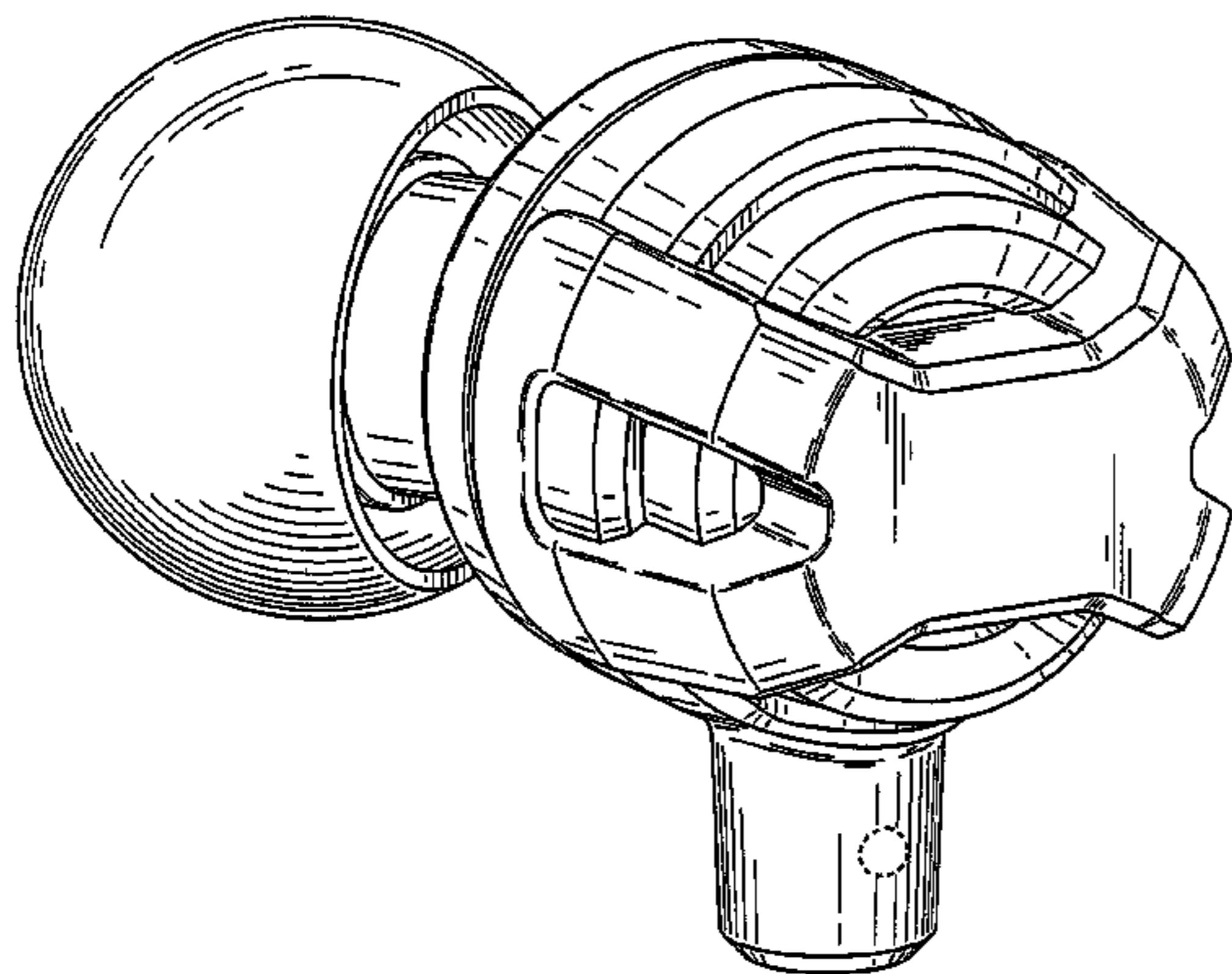
The ornamental design for earphone, as shown and described.

DESCRIPTION

FIG. 1 is a perspective view of front, left and top of an earphone showing my new design;
FIG. 2 is a front view thereof;
FIG. 3 is a rear view thereof;
FIG. 4 is a side view thereof;
FIG. 5 is a right side view thereof;
FIG. 6 is a top view thereof; and,
FIG. 7 is a bottom view thereof.

The broken lines showing of the earphone is included for the purpose of illustrating portions of the earphone and forms no part of the claimed design.

1 Claim, 5 Drawing Sheets



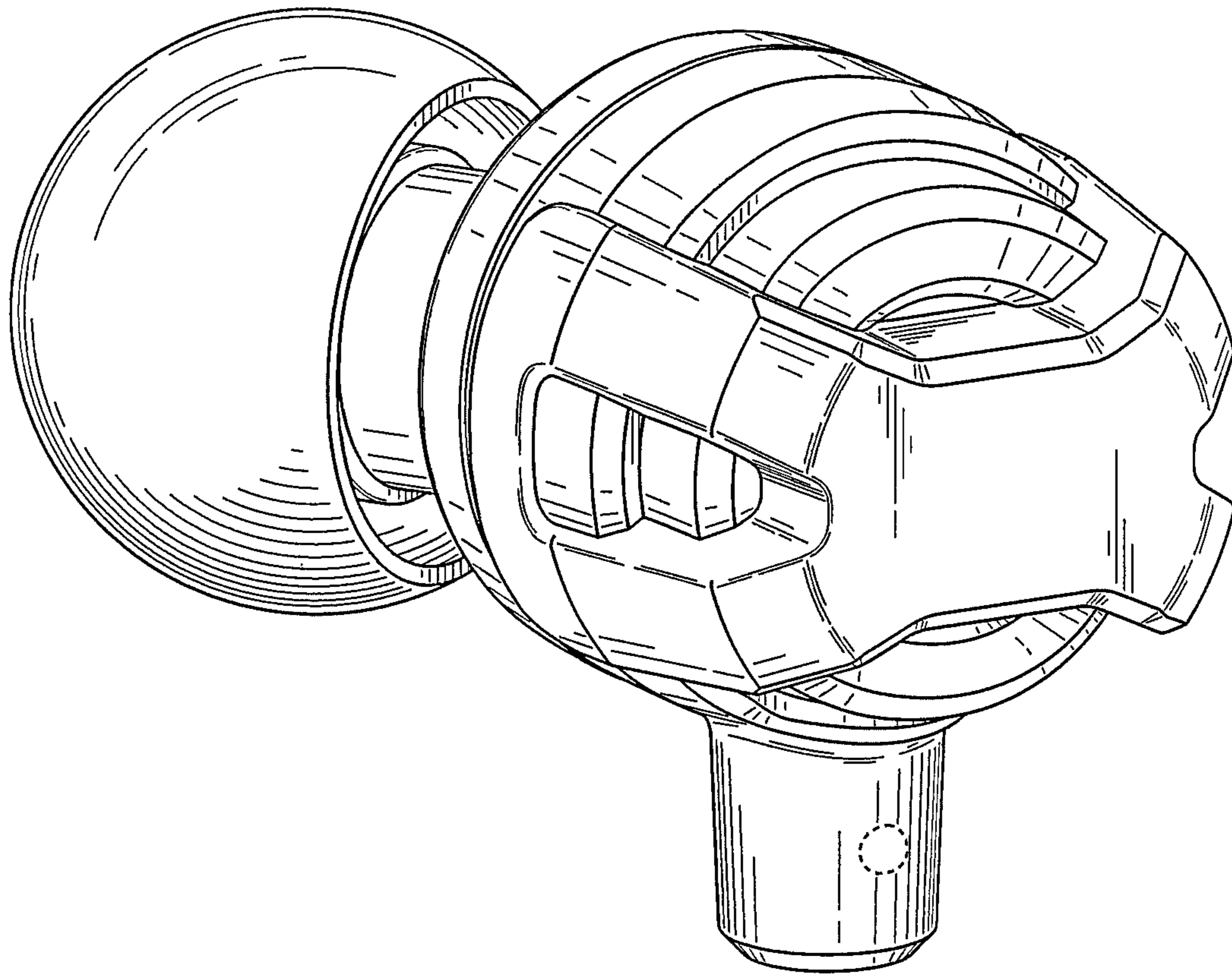


FIG. 1

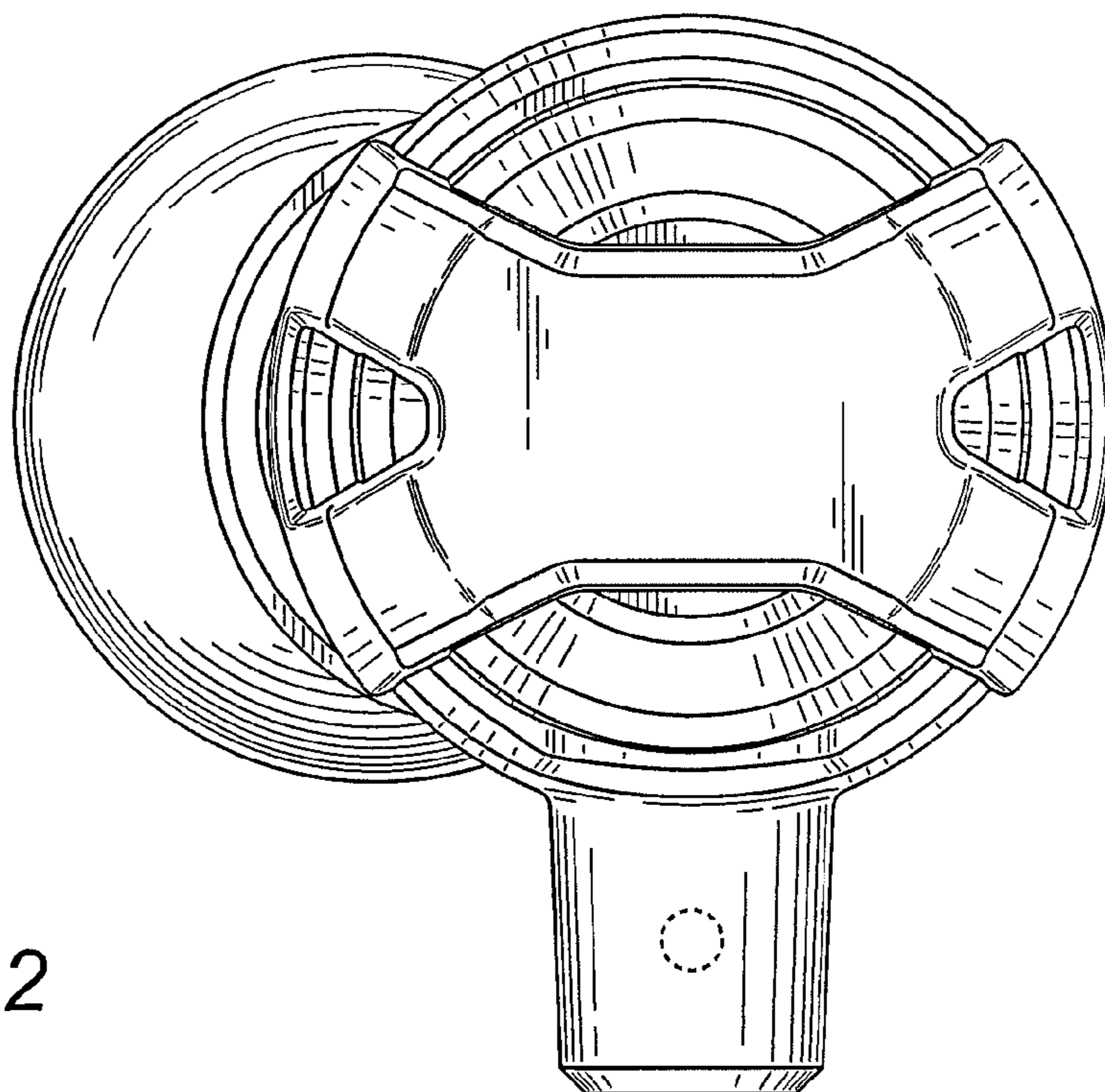


FIG. 2

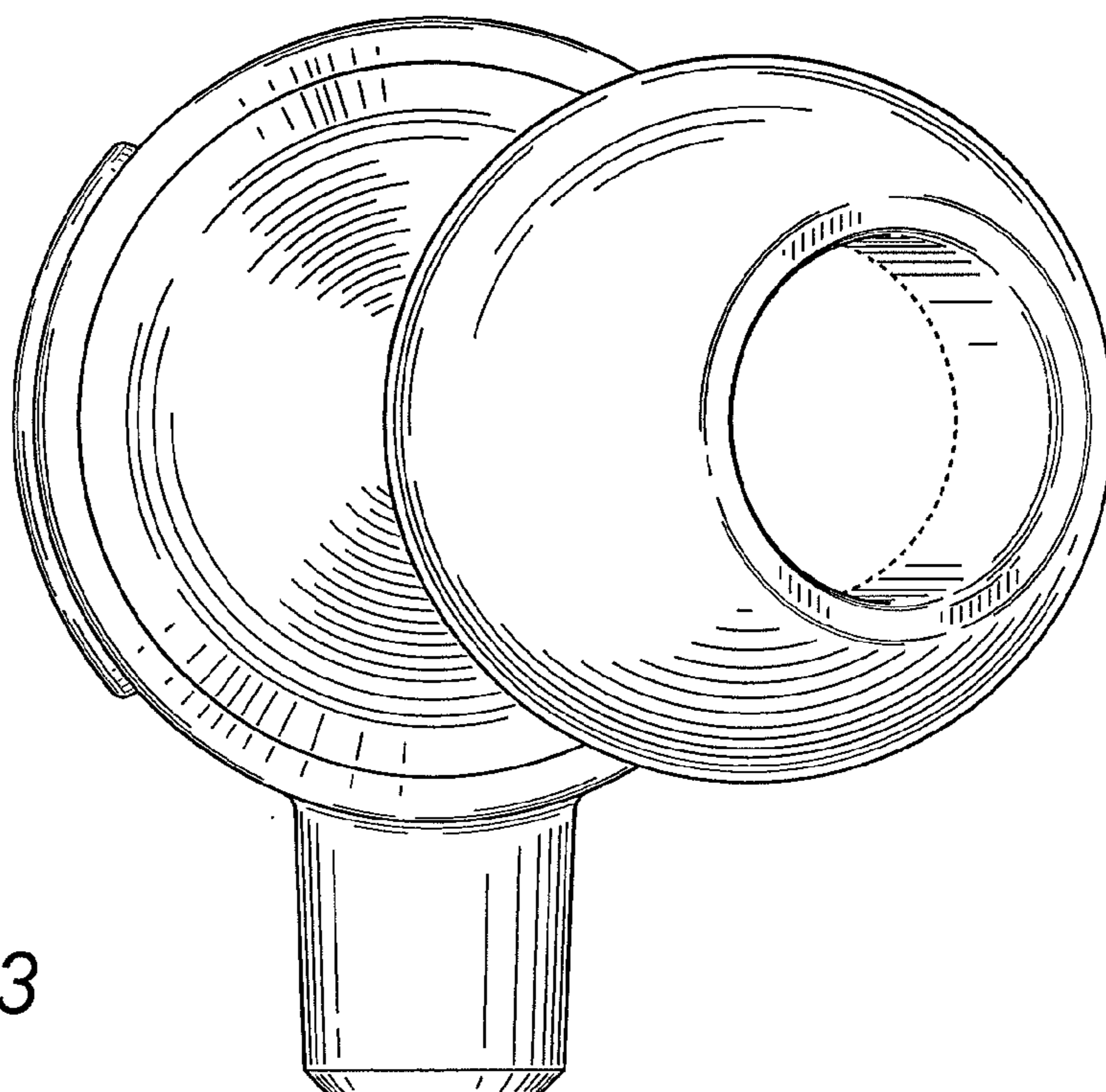


FIG. 3

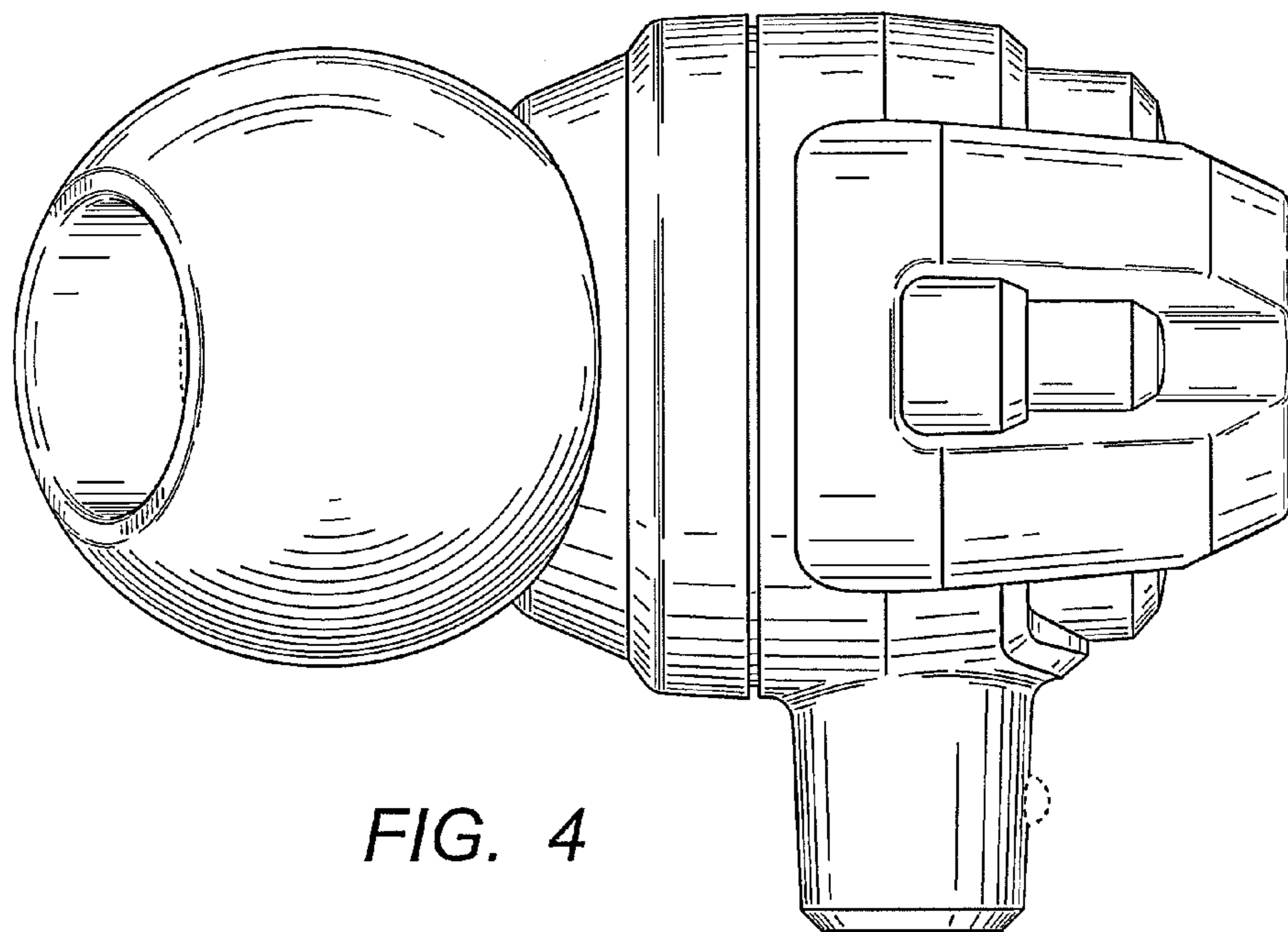


FIG. 4

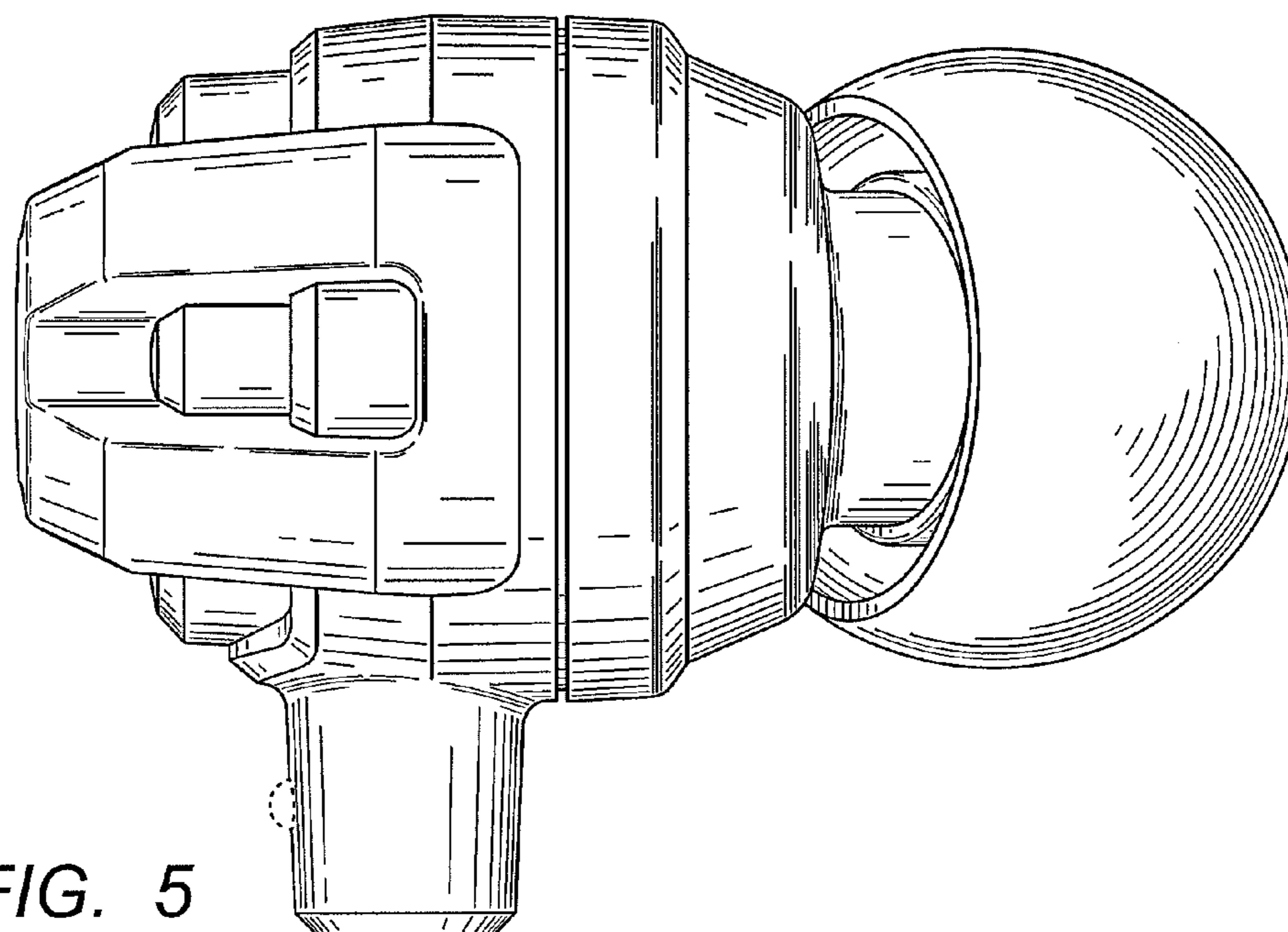


FIG. 5

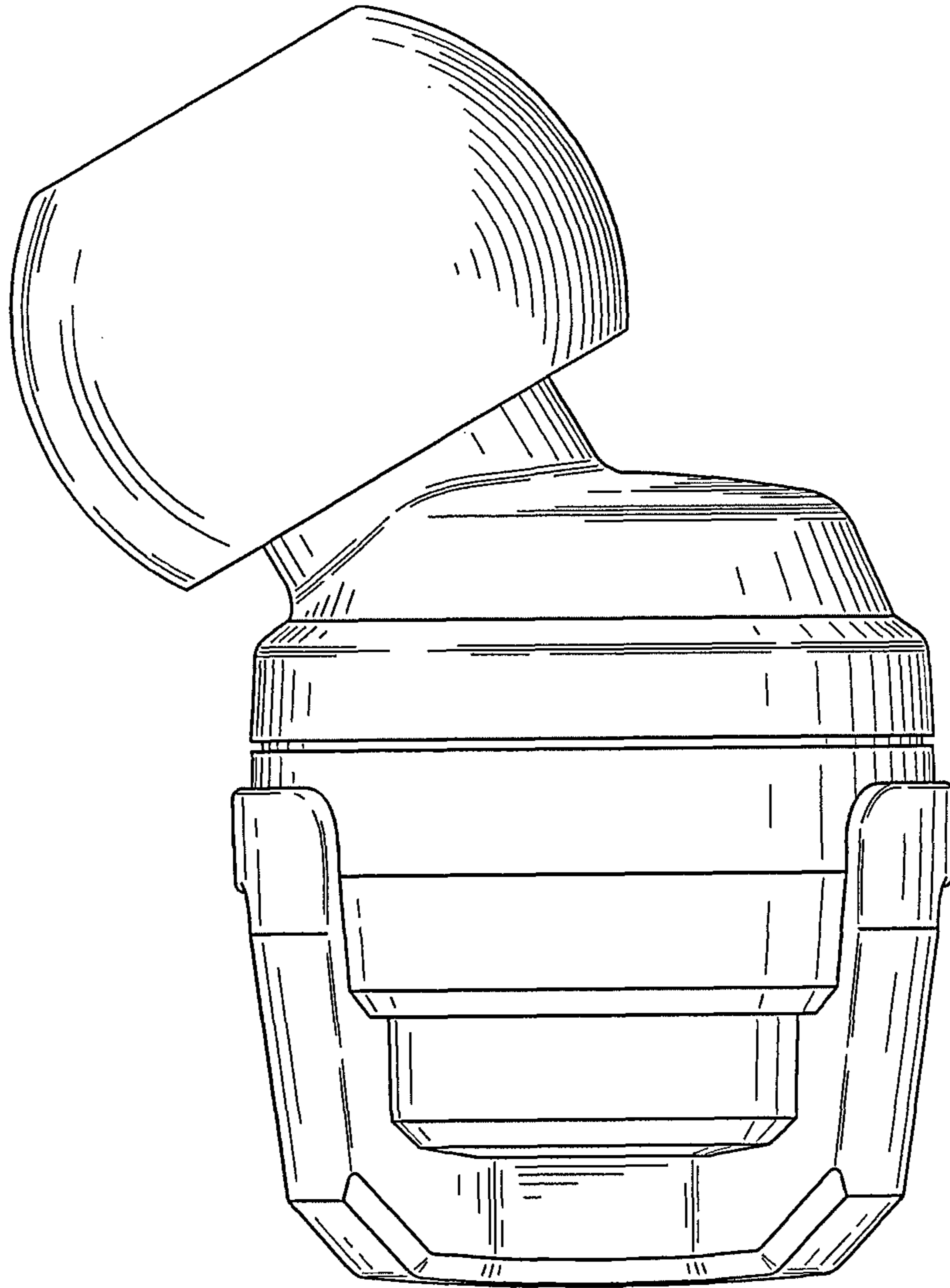


FIG. 6

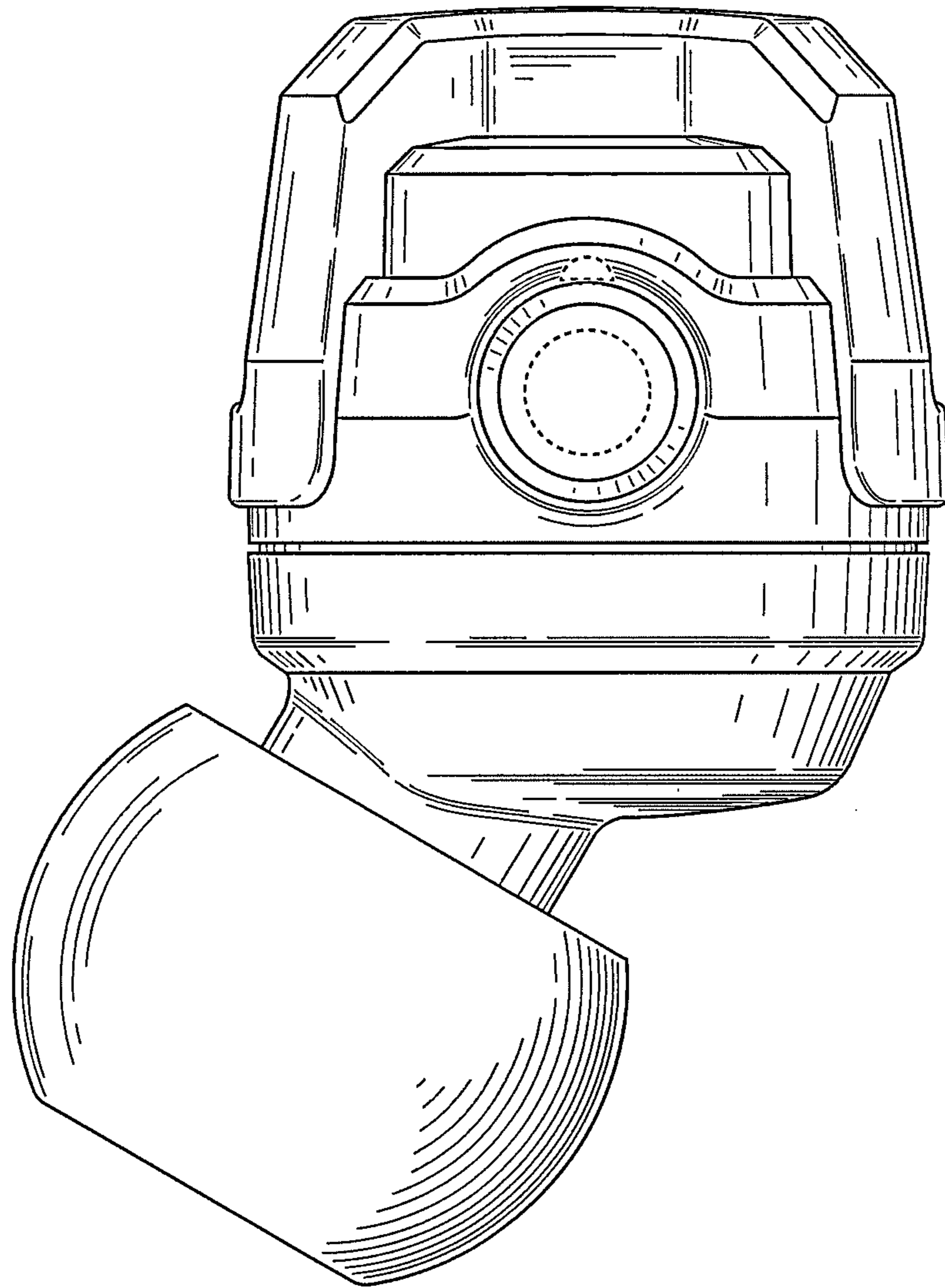


FIG. 7