



US00D683333S

(12) **United States Design Patent**
Lee et al.

(10) **Patent No.:** **US D683,333 S**

(45) **Date of Patent:** **** May 28, 2013**

(54) **HEADPHONE**

(75) Inventors: **Noel Lee**, Las Vegas, NV (US); **Man Ting Lo**, Hong Kong (CN)

(73) Assignee: **Monster, LLC**, Las Vegas, NV (US)

(**) **Term:** **14 Years**

(21) Appl. No.: **29/410,659**

(22) Filed: **Jan. 10, 2012**

(51) **LOC (9) Cl.** **14-01**

(52) **U.S. Cl.**
USPC **D14/223**

(58) **Field of Classification Search**
USPC D14/205, 206, 223; 181/129, 130,
181/135; 379/430, 431; 381/380, 381; 455/90.3,
455/575.1
See application file for complete search history.

(56) **References Cited**

U.S. PATENT DOCUMENTS

D550,657 S *	9/2007	Gan et al.	D14/223
D574,814 S *	8/2008	Hammond	D14/223
D582,897 S *	12/2008	Christopher et al.	D14/223
D594,441 S	6/2009	Lee et al.	
D598,901 S	8/2009	Lee et al.	
D599,781 S	9/2009	Lee et al.	
D600,675 S	9/2009	Lee et al.	
D604,722 S *	11/2009	Mistry	D14/223
D626,117 S *	10/2010	Lowry	D14/223
D637,182 S	5/2011	Lee et al.	
D637,998 S *	5/2011	Brunner et al.	D14/205
D637,999 S *	5/2011	Brunner et al.	D14/205
D641,008 S	7/2011	Lee et al.	

D642,162 S *	7/2011	Wang et al.	D14/223
D642,163 S	7/2011	Lee et al.	
7,979,035 B2 *	7/2011	Griffin et al.	455/90.3
D643,414 S *	8/2011	Lee et al.	D14/223
D643,417 S	8/2011	Lee et al.	
D643,418 S	8/2011	Lee et al.	
D643,833 S	8/2011	Lee et al.	
D652,822 S *	1/2012	Lee et al.	D14/223
D658,157 S *	4/2012	McManigal	D14/205
D660,292 S *	5/2012	Rautiainen	D14/223
D660,826 S *	5/2012	Brunner et al.	D14/223
D666,992 S *	9/2012	Lee et al.	D14/205

* cited by examiner

Primary Examiner — Paula Greene

(74) *Attorney, Agent, or Firm* — LaRiviere, Grubman & Payne, LLP

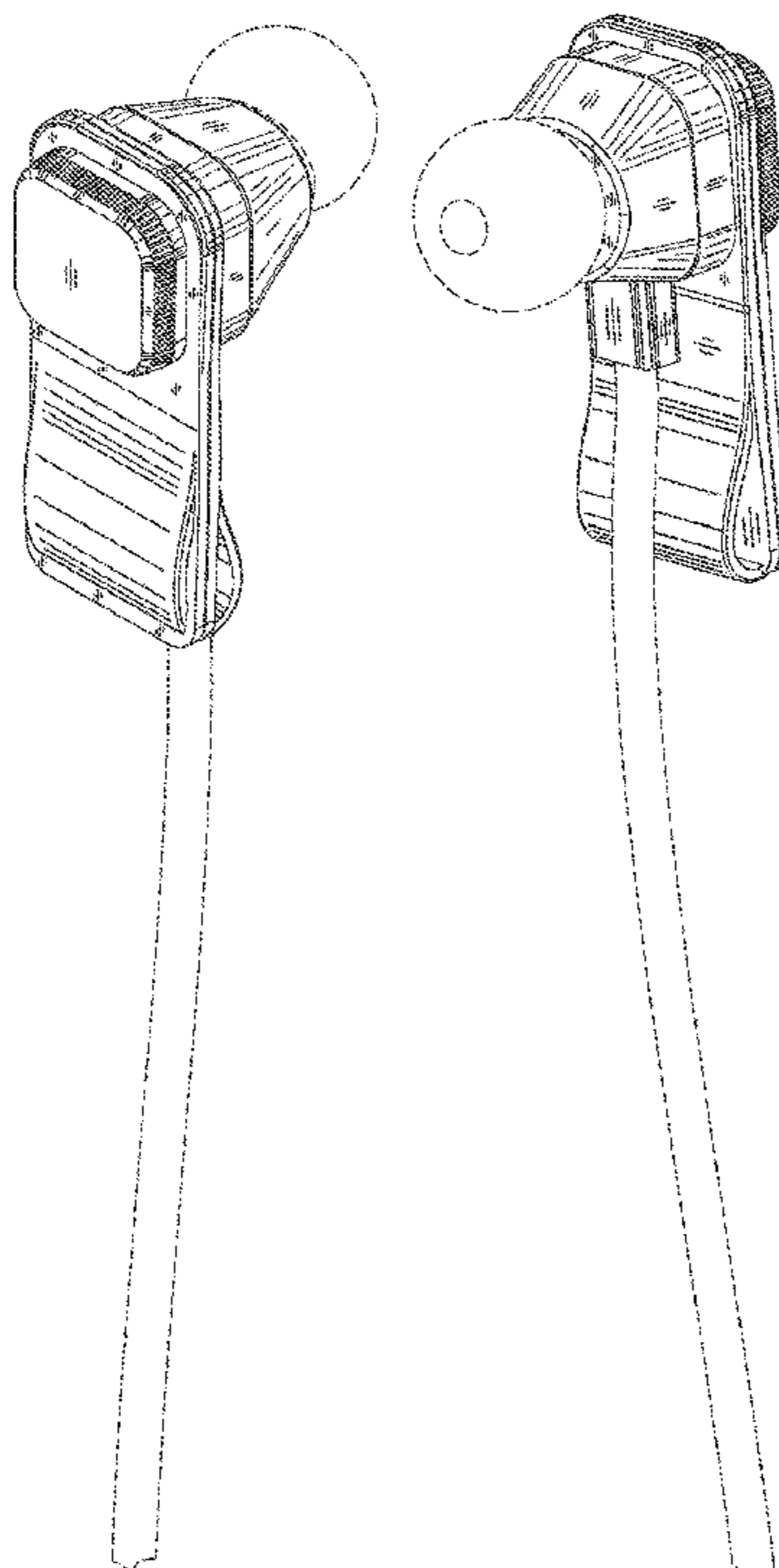
(57) **CLAIM**

The ornamental design for a headphone, as shown and described.

DESCRIPTION

FIG. 1 is a perspective view of a headphone, showing our design;
FIG. 2 is an opposing perspective thereof;
FIG. 3 is front view thereof;
FIG. 4 is a rear view thereof;
FIG. 5 is a side view thereof;
FIG. 6 is an opposing side view thereof;
FIG. 7 is a top view thereof; and,
FIG. 8 is a bottom view thereof.
The broken lines showing the environment are for illustrative purposes only and form no part of the claimed design.

1 Claim, 4 Drawing Sheets



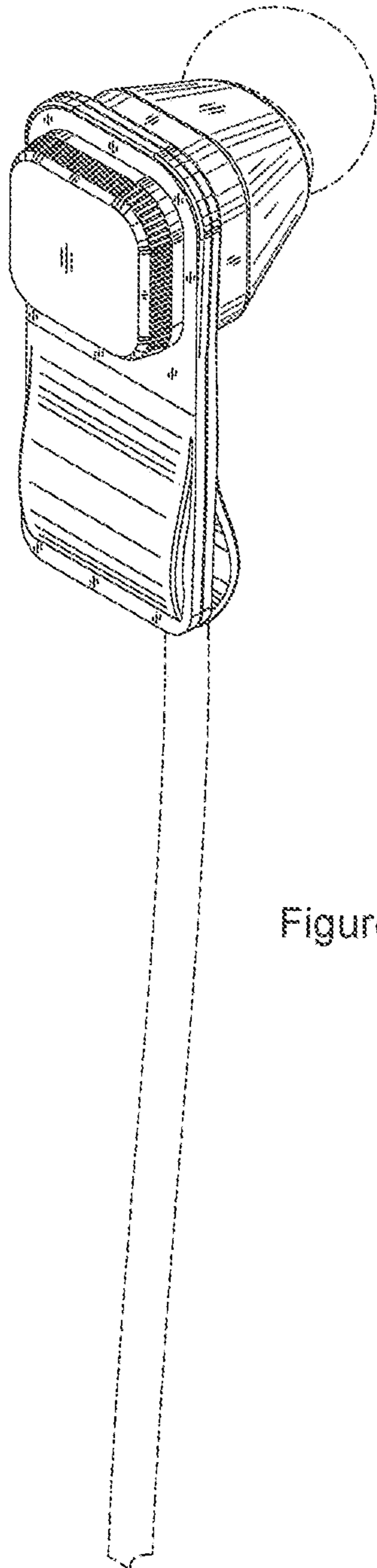


Figure 1

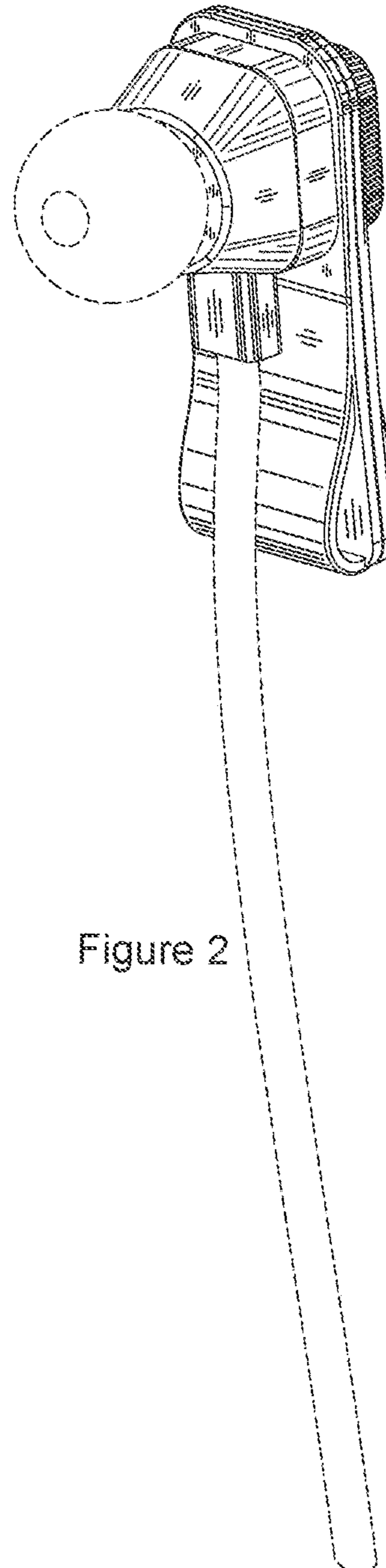


Figure 2

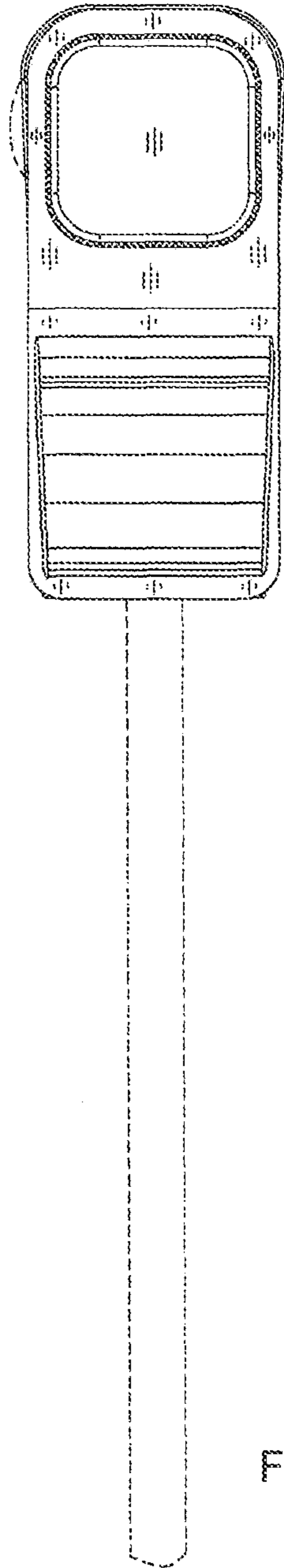


Figure 3

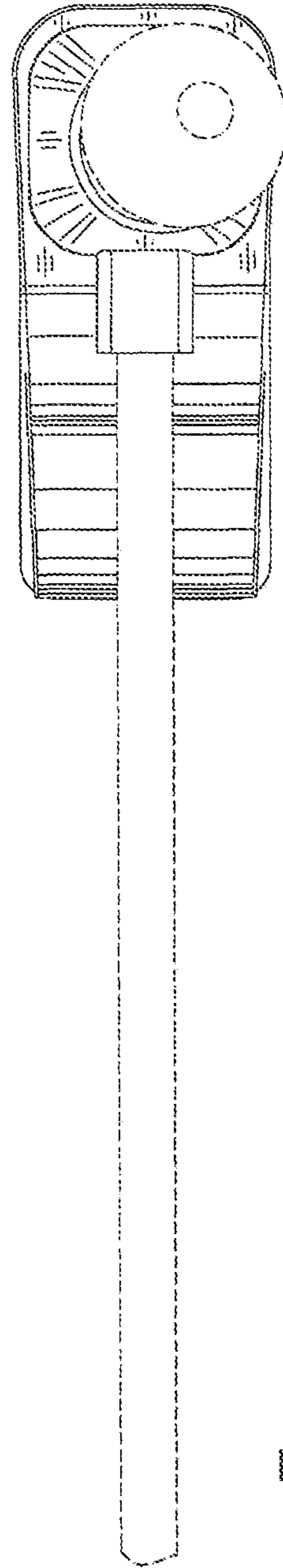


Figure 4

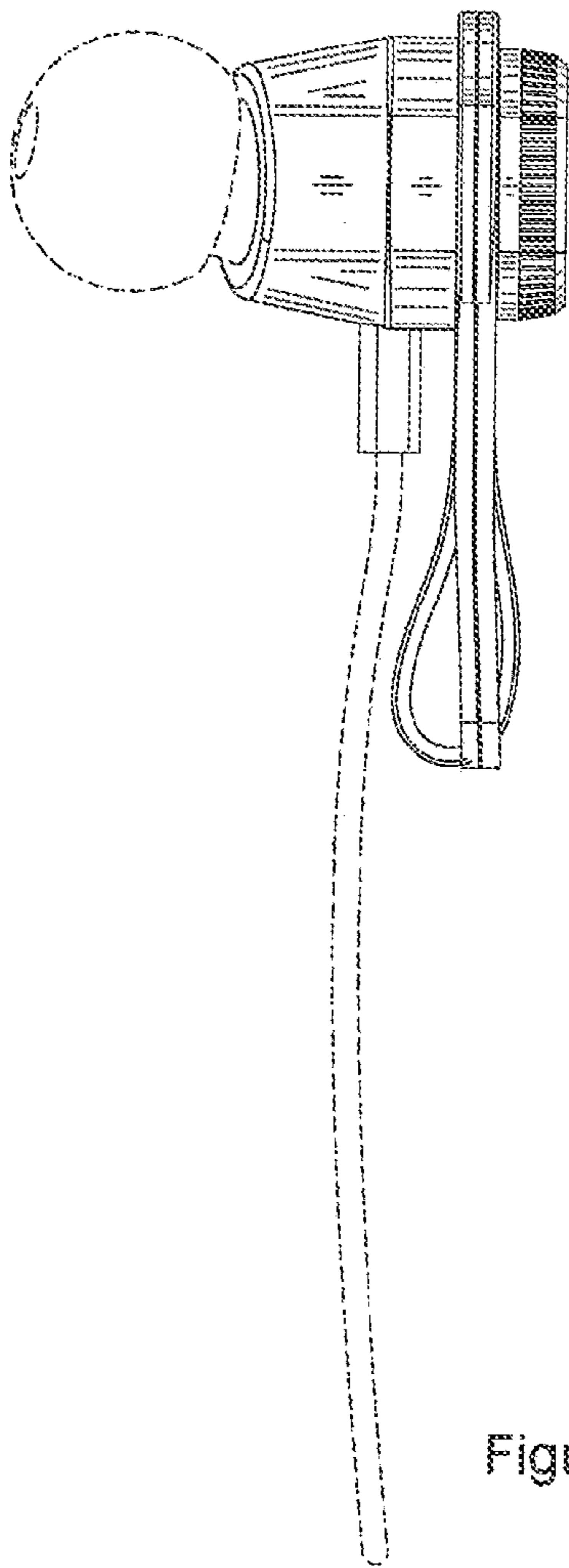


Figure 5

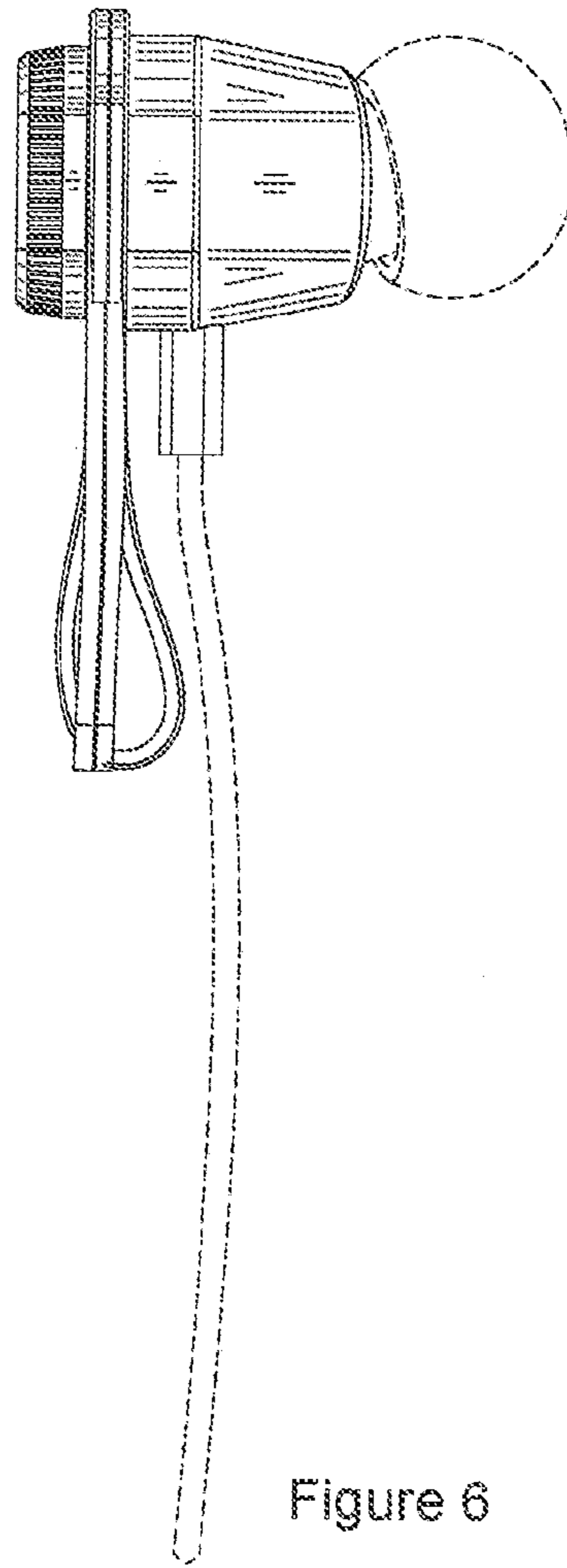


Figure 6

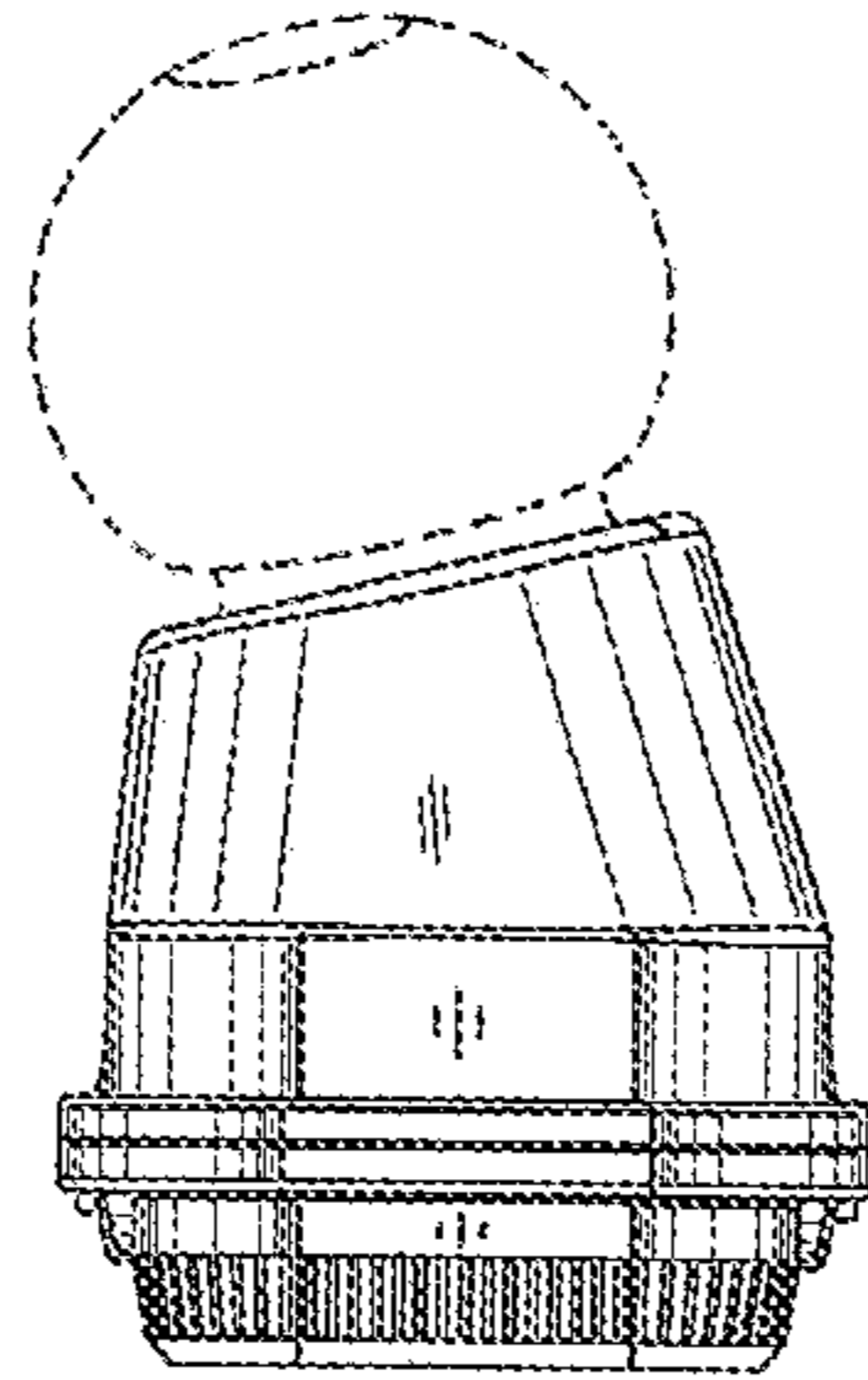


Figure 7

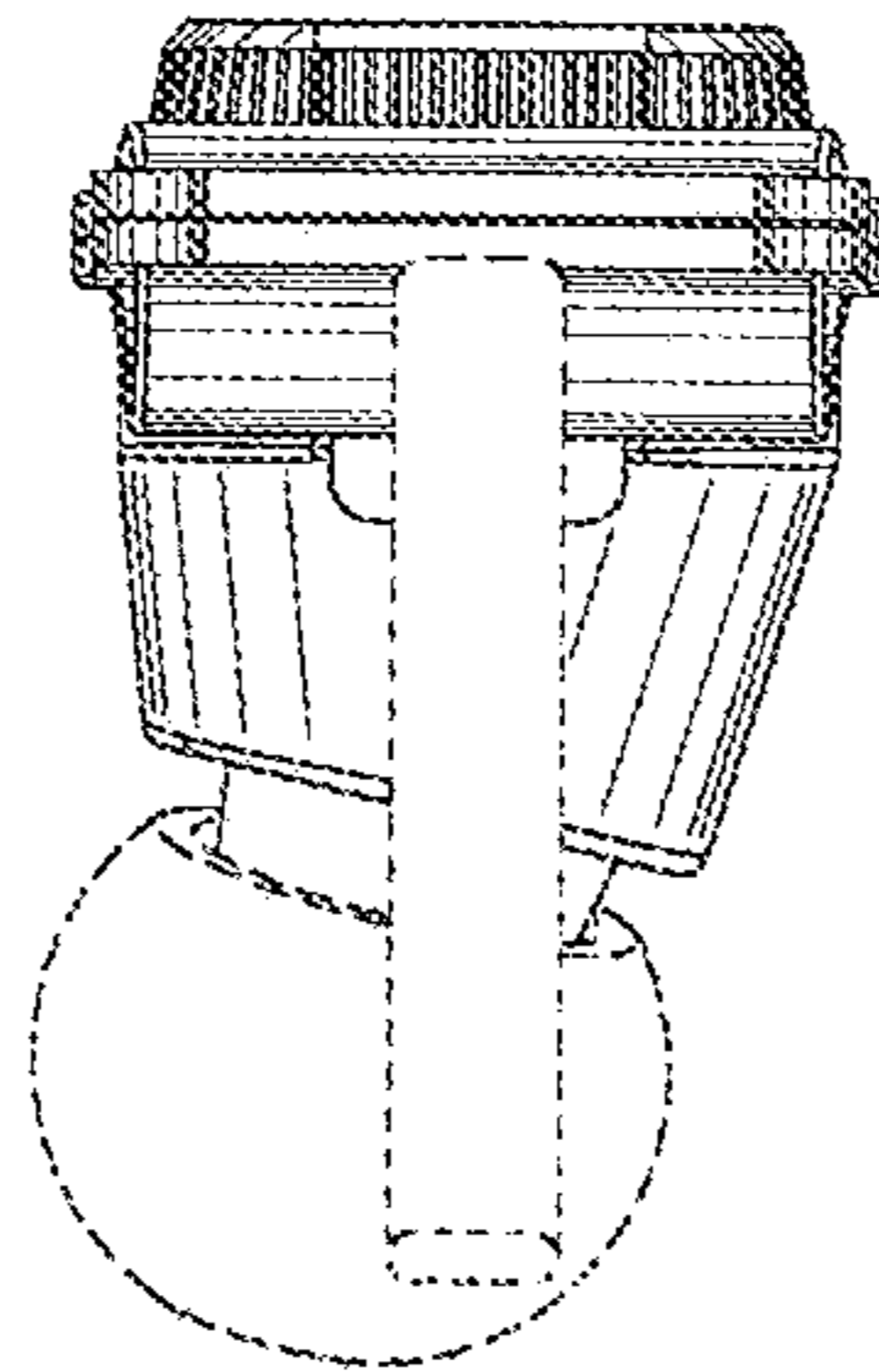


Figure 8