



US00D683332S

(12) **United States Design Patent**  
**Lee et al.**

(10) **Patent No.:** **US D683,332 S**  
(45) **Date of Patent:** **\*\* May 28, 2013**

(54) **HEADPHONE**

(75) Inventors: **Noel Lee**, Las Vegas, NV (US); **Li Hoi Yee**, Tsuen Wan (HK)

(73) Assignee: **Monster, LLC**, Las Vegas, NV (US)

(\*\*) **Term:** **14 Years**

(21) Appl. No.: **29/410,520**

(22) Filed: **Jan. 9, 2012**

(51) **LOC (9) Cl.** ..... **14-01**

(52) **U.S. Cl.**  
USPC ..... **D14/223**

(58) **Field of Classification Search**  
USPC ..... D14/223  
See application file for complete search history.

(56) **References Cited**

**U.S. PATENT DOCUMENTS**

2,248,837	A *	7/1941	Walters	.....	381/380
2,430,229	A *	11/1947	Kelsey	.....	381/338
2,573,132	A *	10/1951	French	.....	181/135
2,739,660	A *	3/1956	French	.....	181/135
2,754,497	A *	7/1956	Wolpert	.....	340/575
3,041,856	A *	7/1962	Neal	.....	63/14.1
3,621,156	A *	11/1971	Kliwer	.....	379/430
3,821,647	A *	6/1974	Minaslan	.....	455/269
3,906,478	A *	9/1975	Smey	.....	340/575
D279,186	S *	6/1985	Tung et al.	.....	D14/170
5,410,608	A *	4/1995	Lucey et al.	.....	381/360
6,386,314	B1 *	5/2002	Sheehan et al.	.....	181/129
6,968,066	B2 *	11/2005	Yueh	.....	381/151
D531,169	S *	10/2006	Tokioka et al.	.....	D14/223
D537,438	S *	2/2007	Hermansen	.....	D14/223
D555,151	S *	11/2007	Eklund	.....	D14/223
D561,739	S *	2/2008	Ikeda et al.	.....	D14/206
D566,687	S *	4/2008	Duarte et al.	.....	D14/205

D573,978	S *	7/2008	Ledbetter et al.	.....	D14/205
D573,997	S *	7/2008	Kim et al.	.....	D14/436
D594,441	S	6/2009	Lee et al.		
D598,901	S	8/2009	Lee et al.		
D599,781	S	9/2009	Lee et al.		
D600,675	S	9/2009	Lee et al.		
D626,117	S *	10/2010	Lowry	.....	D14/223
D637,182	S	5/2011	Lee et al.		
D641,008	S	7/2011	Lee et al.		
D642,163	S	7/2011	Lee et al.		
7,979,035	B2 *	7/2011	Griffin et al.	.....	455/90.3
D643,417	S	8/2011	Lee et al.		
D643,418	S	8/2011	Lee et al.		
D643,833	S	8/2011	Lee et al.		
D673,531	S *	1/2013	Lee et al.	.....	D14/223
D673,532	S *	1/2013	Lee	.....	D14/223

\* cited by examiner

*Primary Examiner* — Paula Greene

(74) *Attorney, Agent, or Firm* — LaRiviere, Grubman & Payne, LLP

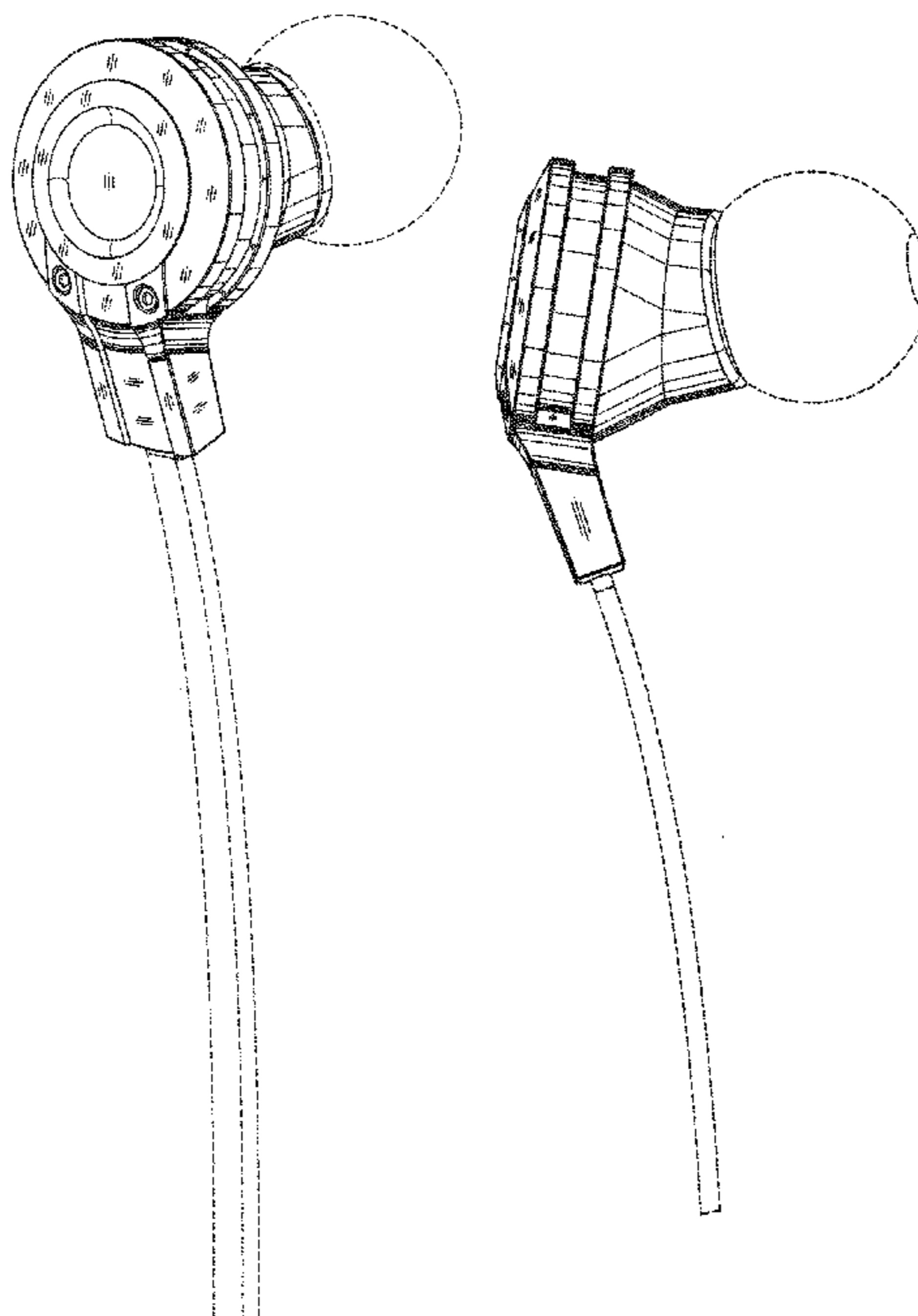
(57) **CLAIM**

The ornamental design for a headphone, as shown and described.

**DESCRIPTION**

FIG. 1 is a perspective view of a headphone, showing our design;  
FIG. 2 is front view thereof;  
FIG. 3 is a rear view thereof;  
FIG. 4 is a side view thereof;  
FIG. 5 is an opposing side view thereof;  
FIG. 6 is a top view thereof; and,  
FIG. 7 is a bottom view thereof.  
The broken lines showing the environment are for illustrative purposes only and form no part of the claimed design.

**1 Claim, 4 Drawing Sheets**



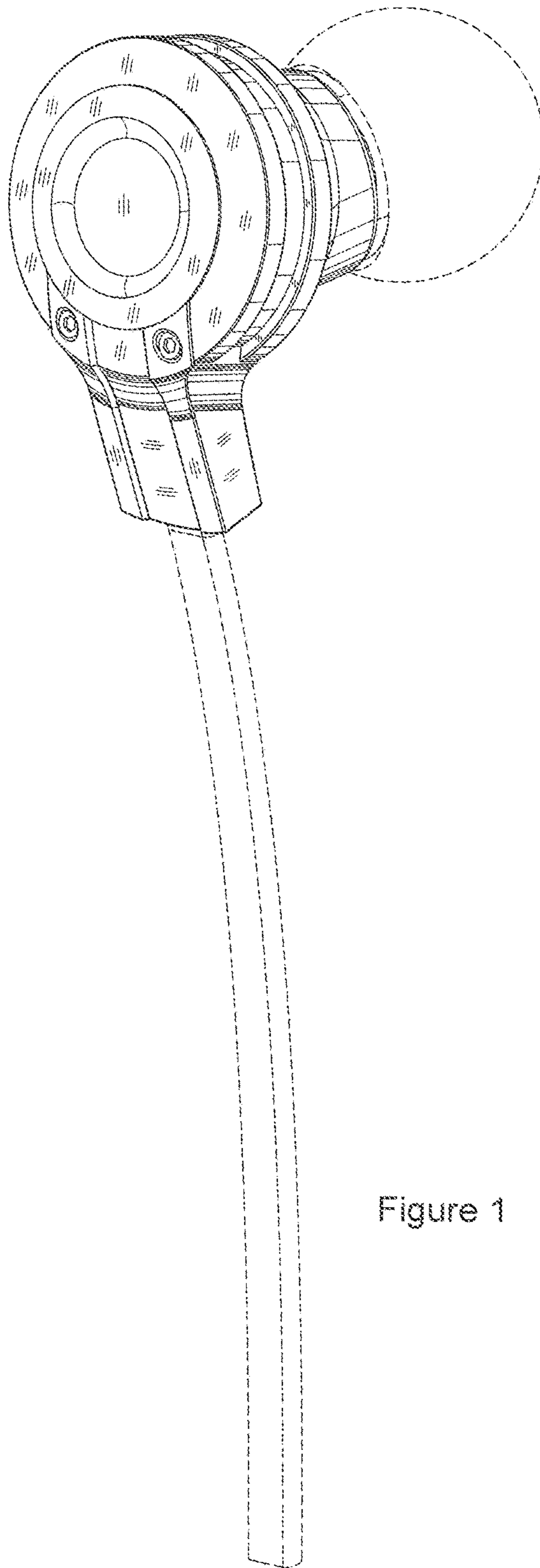


Figure 1

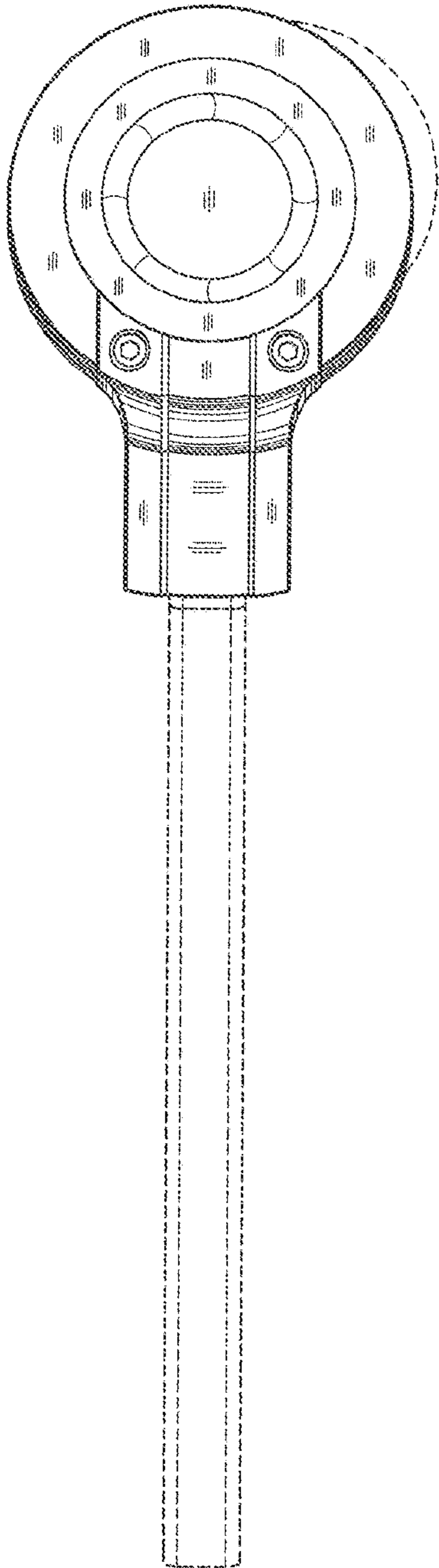


Figure 2

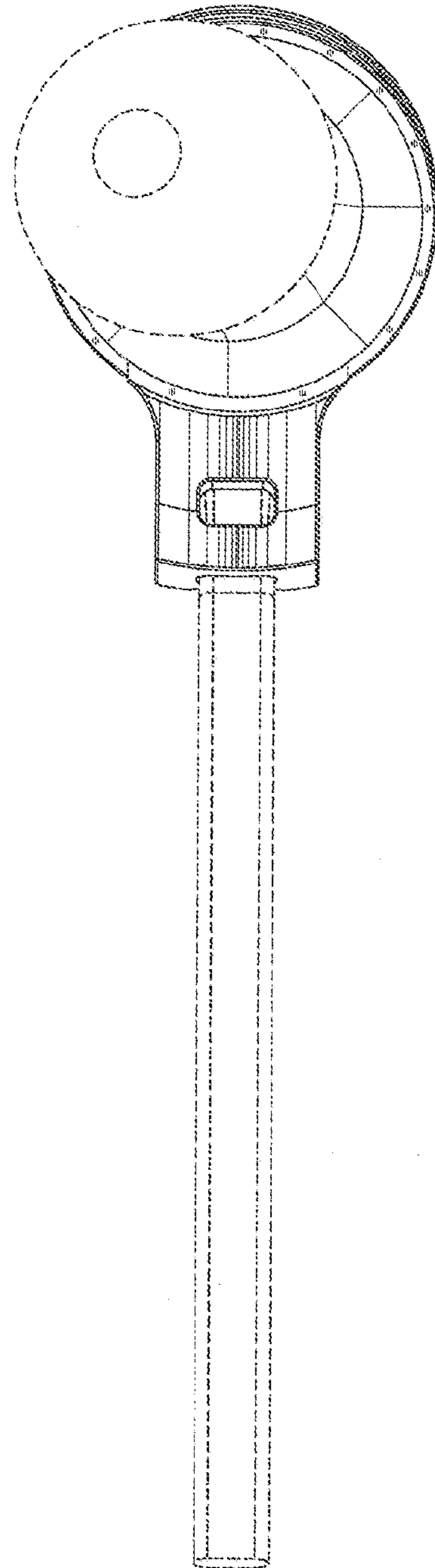


Figure 3

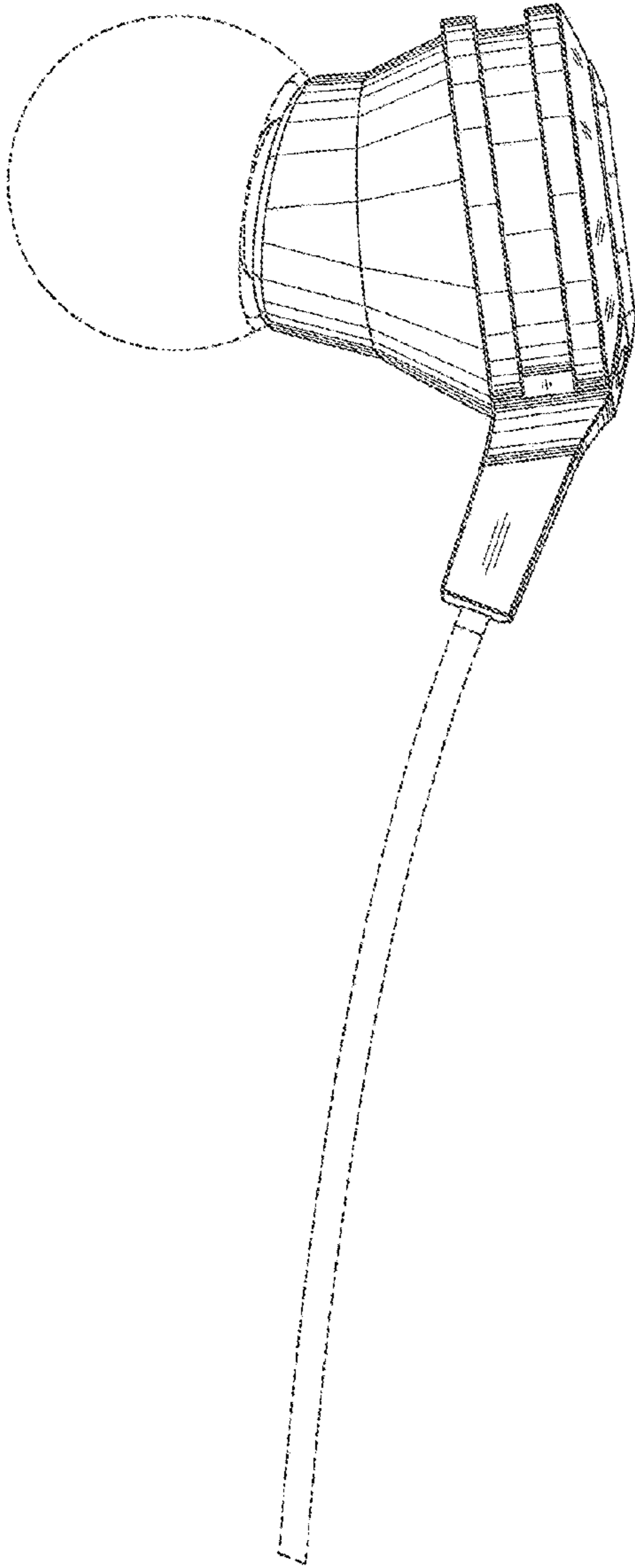


Figure 4

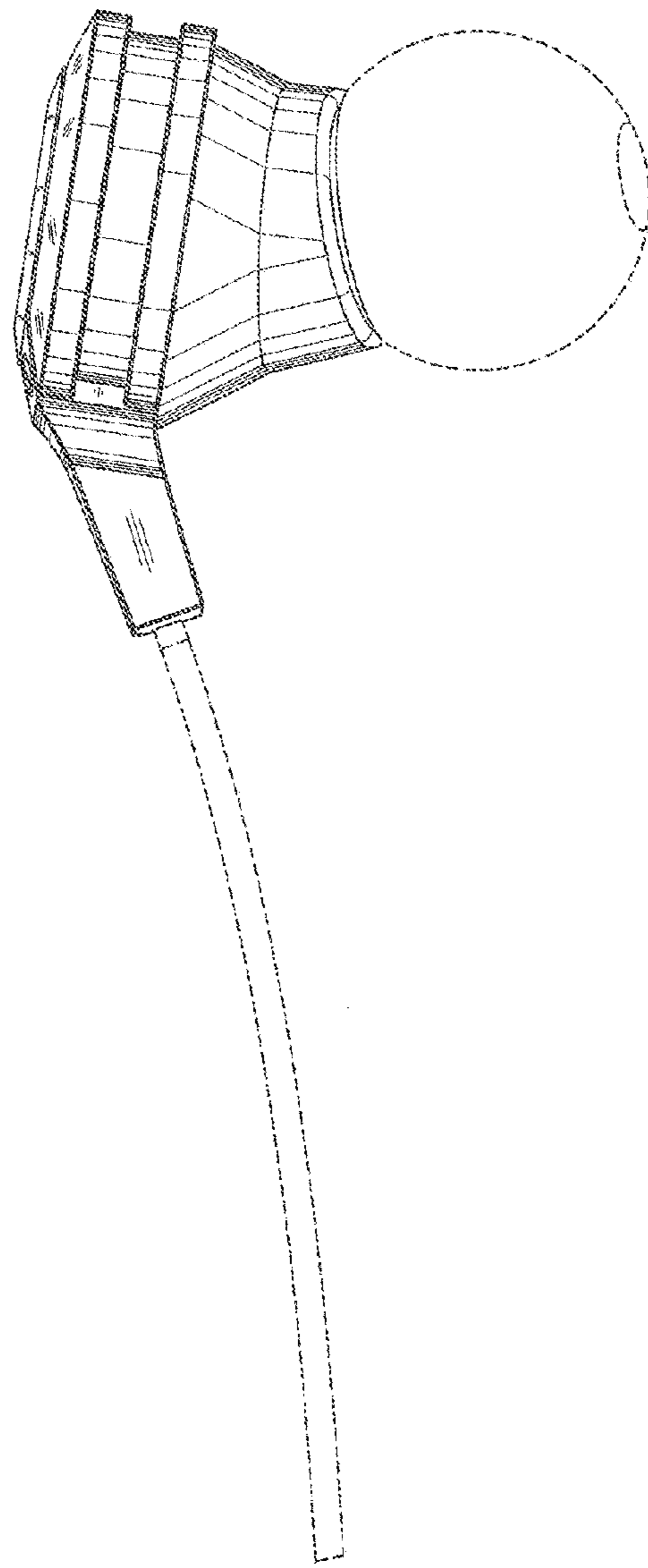


Figure 5



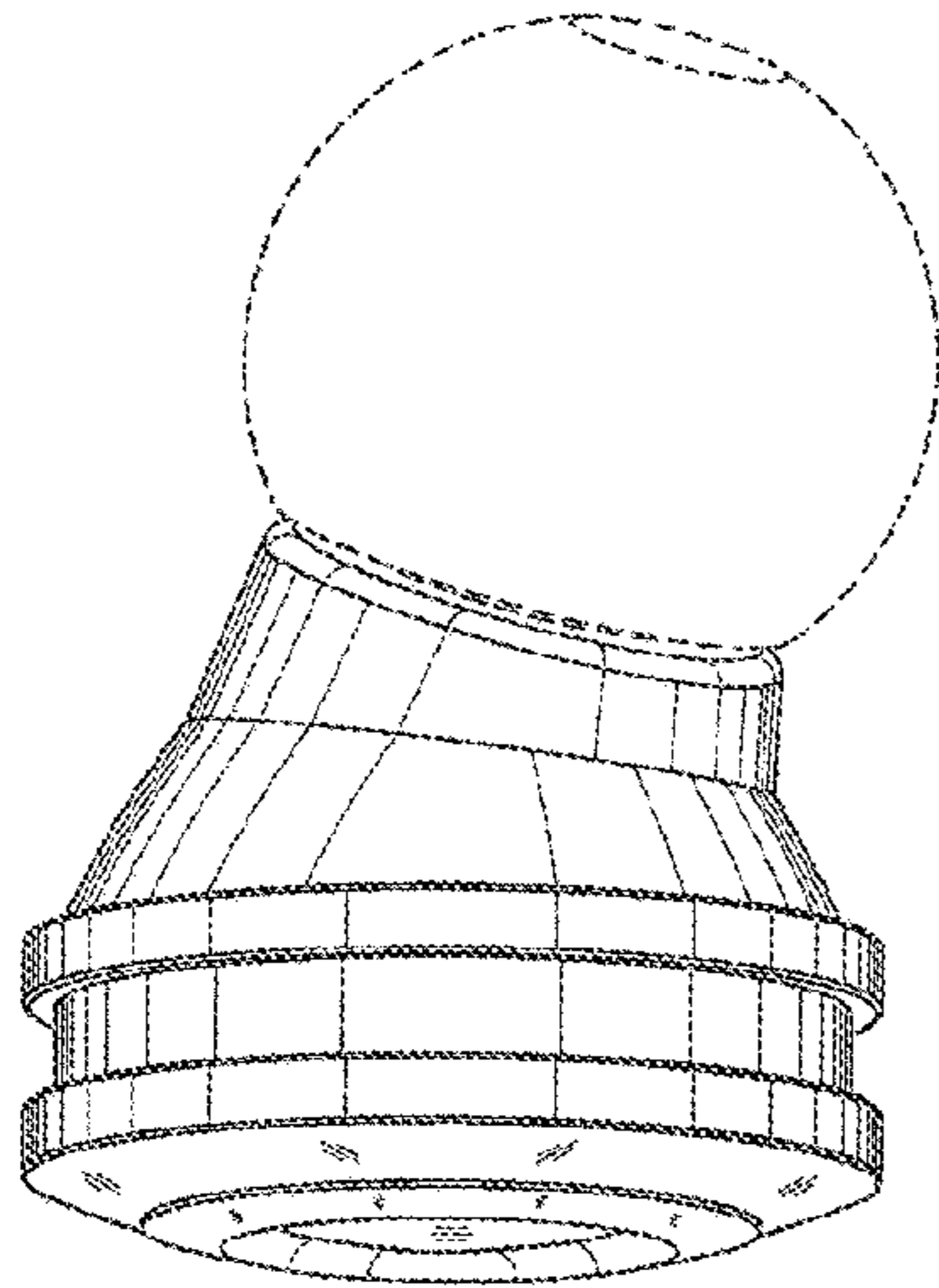


Figure 6

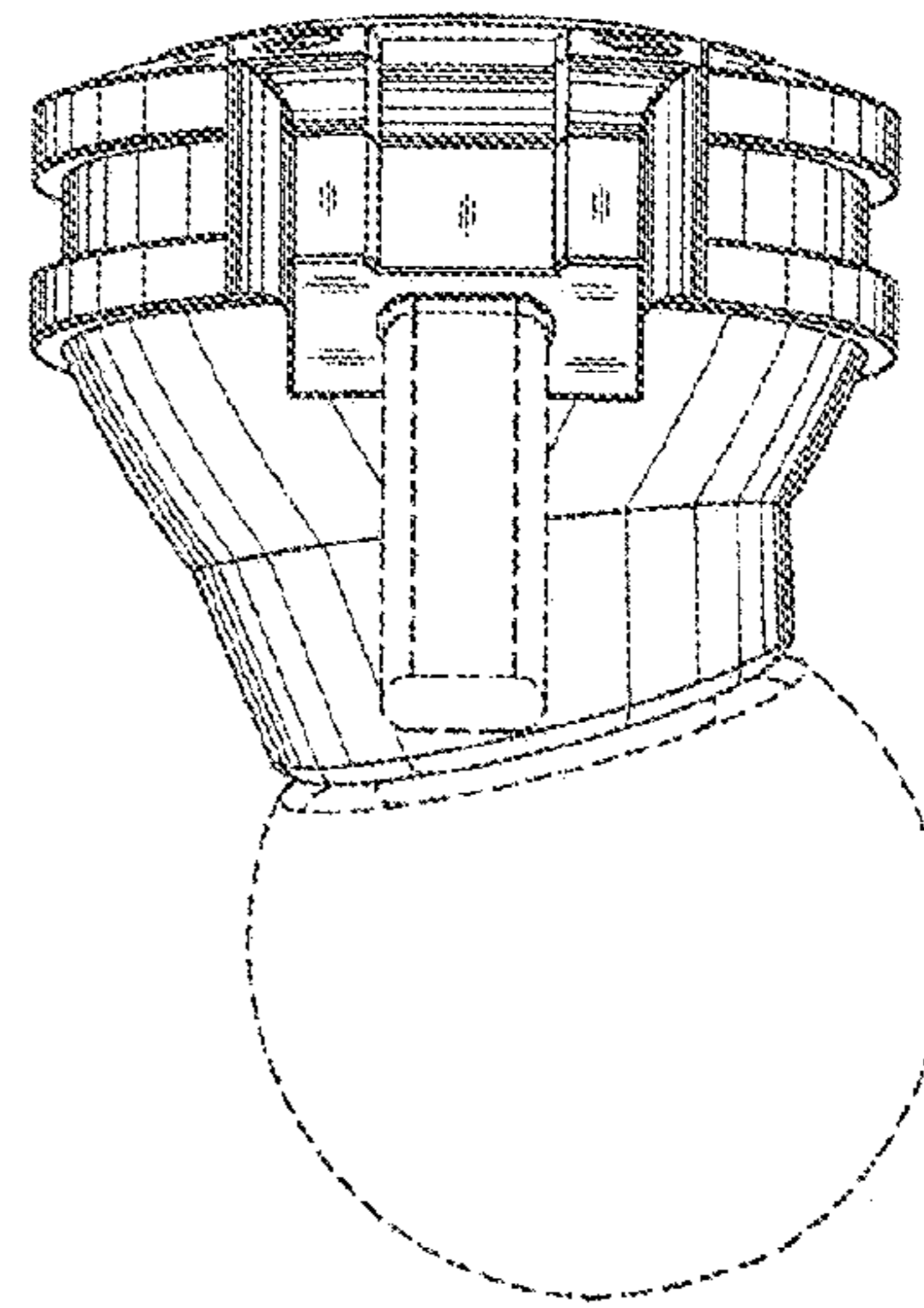


Figure 7