



US00D683330S

(12) **United States Design Patent**  
**Ryu et al.**

(10) **Patent No.:** **US D683,330 S**

(45) **Date of Patent:** **\*\* May 28, 2013**

(54) **SPEAKER FOR HOME THEATER**  
(75) Inventors: **Junghan Ryu**, Seoul (KR); **Gangho Woo**, Seoul (KR); **Hyojin Won**, Seoul (KR)  
(73) Assignee: **LG Electronics Inc.**, Seoul (KR)  
(\*\*) Term: **14 Years**

6,561,311 B2 *	5/2003	Chuang .....	181/199
D494,565 S *	8/2004	Yao .....	D14/215
D507,790 S *	7/2005	Dayan .....	D14/215
D576,150 S *	9/2008	Lim et al. ....	D14/211
D585,875 S *	2/2009	Matsuoka .....	D14/211
D597,528 S *	8/2009	Kira .....	D14/211
D597,531 S *	8/2009	Cho .....	D14/215
D645,450 S *	9/2011	Chen .....	D14/215
D666,170 S *	8/2012	Allen .....	D14/211
D672,752 S *	12/2012	Shimizu et al. ....	D14/217

\* cited by examiner

(21) Appl. No.: **29/409,966**

(22) Filed: **Dec. 30, 2011**

(30) **Foreign Application Priority Data**

Jul. 4, 2011 (KR) ..... 30-2011-0027673

(51) **LOC (9) Cl.** ..... **14-01**

(52) **U.S. Cl.**  
USPC ..... **D14/209.1**

(58) **Field of Classification Search**  
USPC ..... D14/204, 218, 172, 210-216, 209.1;  
181/143, 147, 148, 150, 153, 157, 198, 199,  
181/166, 144; 381/300-303, 306, 332, 333,  
381/336, 345, 361-364, 370, 386-388  
See application file for complete search history.

(56) **References Cited**

**U.S. PATENT DOCUMENTS**

4,940,108 A *	7/1990	Selby .....	181/145
5,802,190 A *	9/1998	Ferren .....	381/182
5,933,509 A *	8/1999	Wu .....	381/345

*Primary Examiner* — Prabhakar Deshmukh

(74) *Attorney, Agent, or Firm* — Birch, Stewart, Kolasch & Birch, LLP

(57) **CLAIM**

The ornamental design for a speaker for home theater, as shown and described.

**DESCRIPTION**

FIG. 1 is a perspective view of a speaker for home theater showing our new design;  
FIG. 2 is a front view thereof;  
FIG. 3 is a rear view thereof;  
FIG. 4 is a left side view thereof where the right side view is a mirror image;  
FIG. 5 is a top plan view thereof; and,  
FIG. 6 is a bottom plan view thereof.  
The broken lines shown are included for the purpose of illustrating the unclaimed portions of the article and form no part of the claim.

**1 Claim, 5 Drawing Sheets**

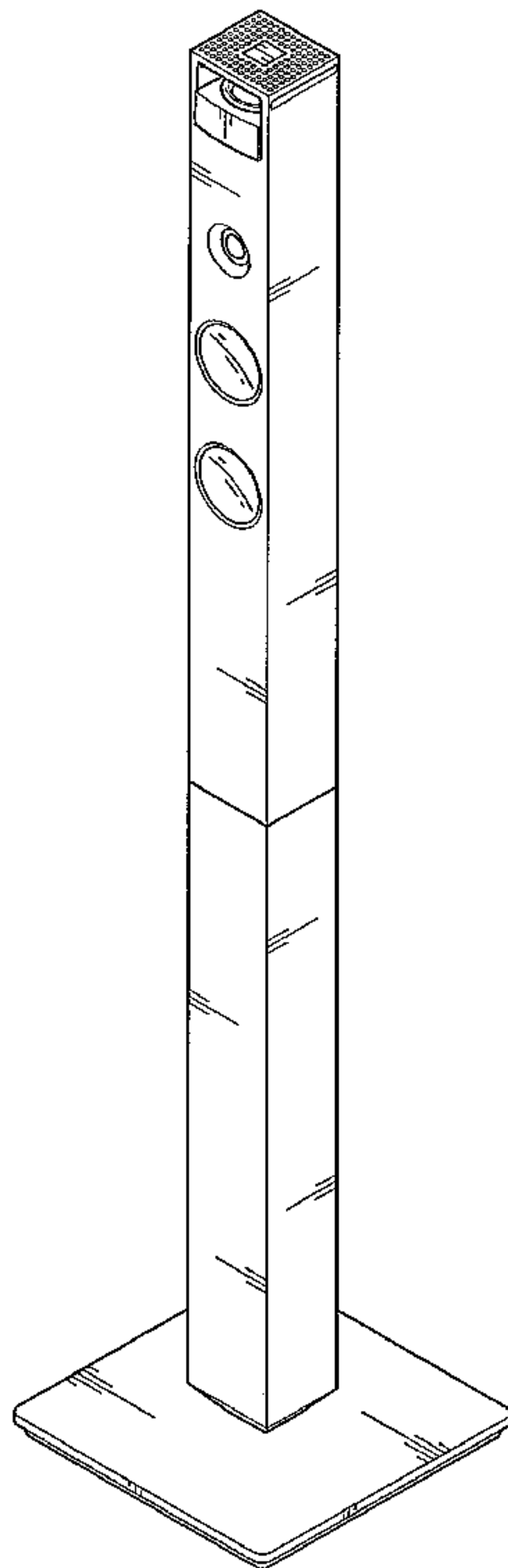


FIG. 1

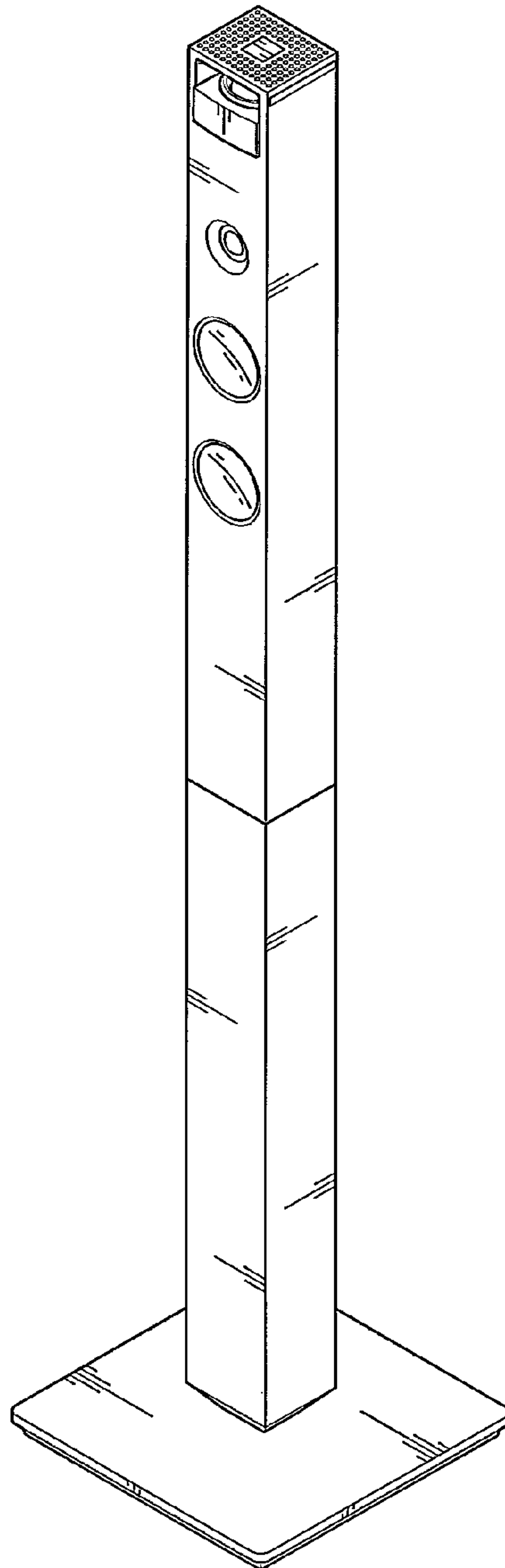


FIG. 2

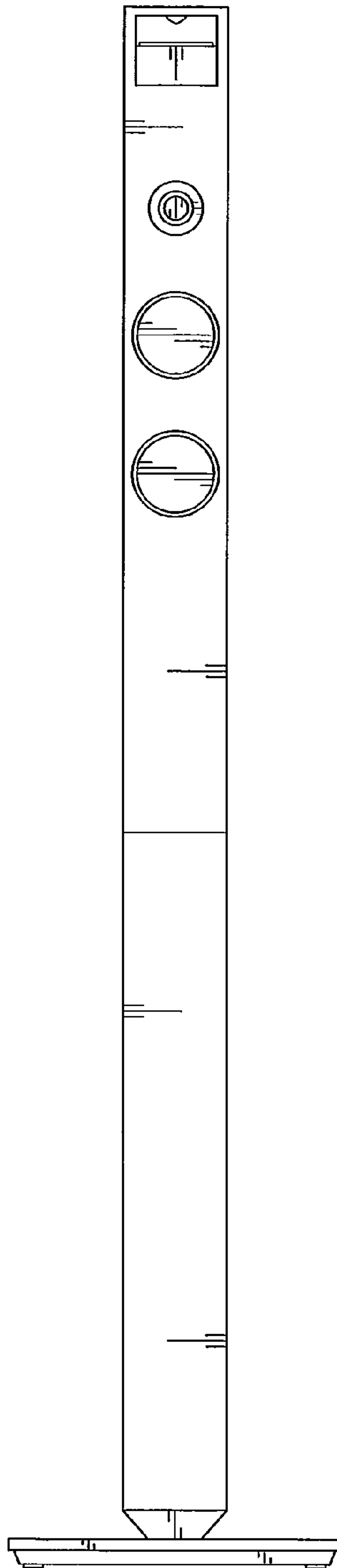


FIG. 3

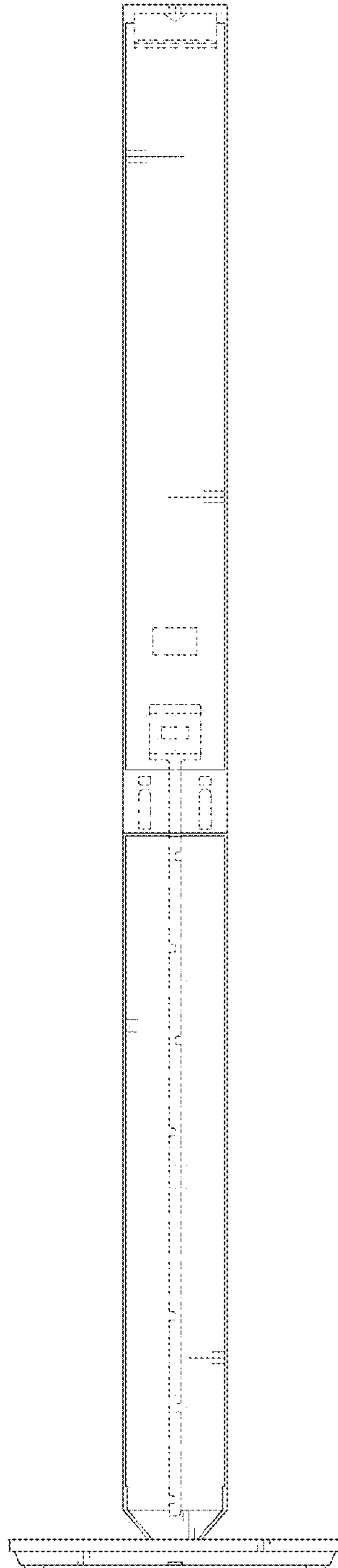


FIG. 4

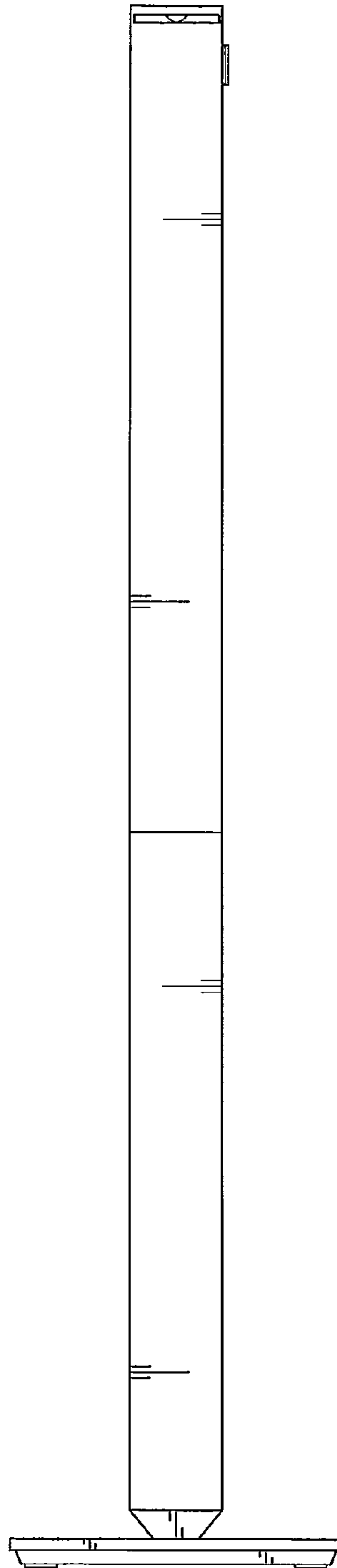


FIG. 5

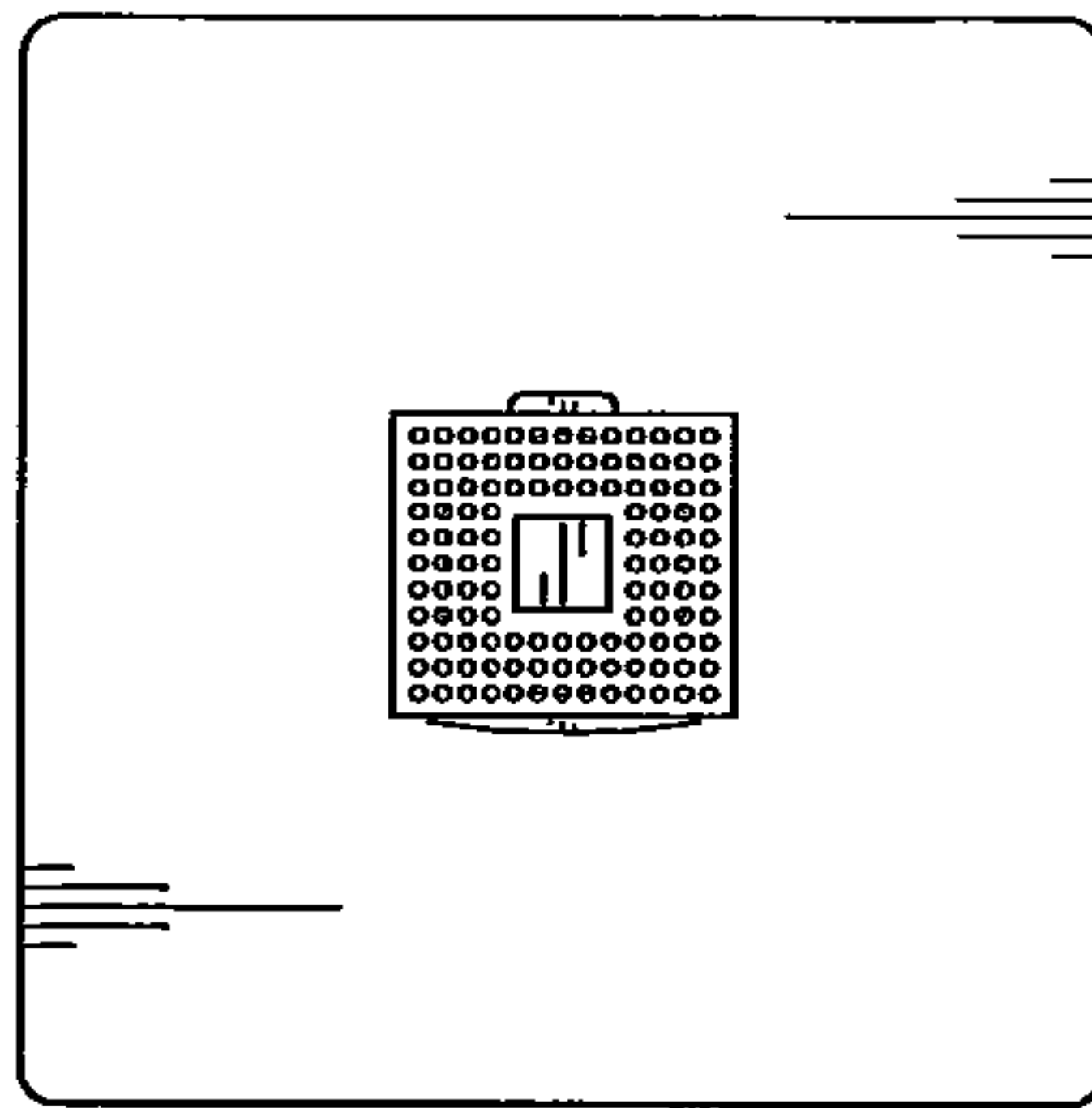


FIG. 6

