



US00D683329S

(12) **United States Design Patent**
Hagelin

(10) **Patent No.:** **US D683,329 S**
(45) **Date of Patent:** **** May 28, 2013**

- (54) **HEADPHONES**
- (71) Applicant: **WeSC AB (Publ)**, Stockholm (SE)
- (72) Inventor: **Greger Hagelin**, Stockholm (SE)
- (73) Assignee: **WeSC AB (publ)**, Stockholm (SE)
- (**) Term: **14 Years**
- (21) Appl. No.: **29/438,189**
- (22) Filed: **Nov. 27, 2012**

D494,154 S *	8/2004	Polito	D14/206
D534,155 S *	12/2006	Obata	D14/205
D540,301 S *	4/2007	Obata	D14/205
D560,654 S *	1/2008	Feng	D14/205
D573,581 S *	7/2008	Gondo et al.	D14/205
D609,694 S *	2/2010	Komiyama	D14/205
D657,344 S *	4/2012	Brunner et al.	D14/205
D662,080 S *	6/2012	Carr et al.	D14/205
D663,717 S *	7/2012	Hutchieson	D14/206
D673,518 S *	1/2013	Tan	D14/205
D673,520 S *	1/2013	Tan	D14/205
D675,595 S *	2/2013	Cho et al.	D14/205

* cited by examiner

Related U.S. Application Data

- (62) Division of application No. 29/410,094, filed on Jan. 4, 2012.

Foreign Application Priority Data

- Oct. 7, 2011 (EM) 1929076
- (51) **LOC (9) Cl.** **14-01**
- (52) **U.S. Cl.**
USPC **D14/205**
- (58) **Field of Classification Search**
USPC D14/205
See application file for complete search history.

References Cited

U.S. PATENT DOCUMENTS

4,409,442 A *	10/1983	Kamimura	381/383
4,571,746 A *	2/1986	Gorike	2/209
D292,205 S *	10/1987	Kikutani	D14/205
D318,053 S *	7/1991	Ludeke et al.	D14/206
D328,461 S *	8/1992	Daido et al.	D14/205

Primary Examiner — Paula Greene

(74) *Attorney, Agent, or Firm* — Kenyon & Kenyon LLP

CLAIM

The ornamental design for headphones, as shown and described.

DESCRIPTION

FIG. 1 is a front perspective view of an ornamental design for headphones showing my new design, the opposite perspective view being a mirror image;

FIG. 2 is a front view thereof, the rear view being identical to the front view;

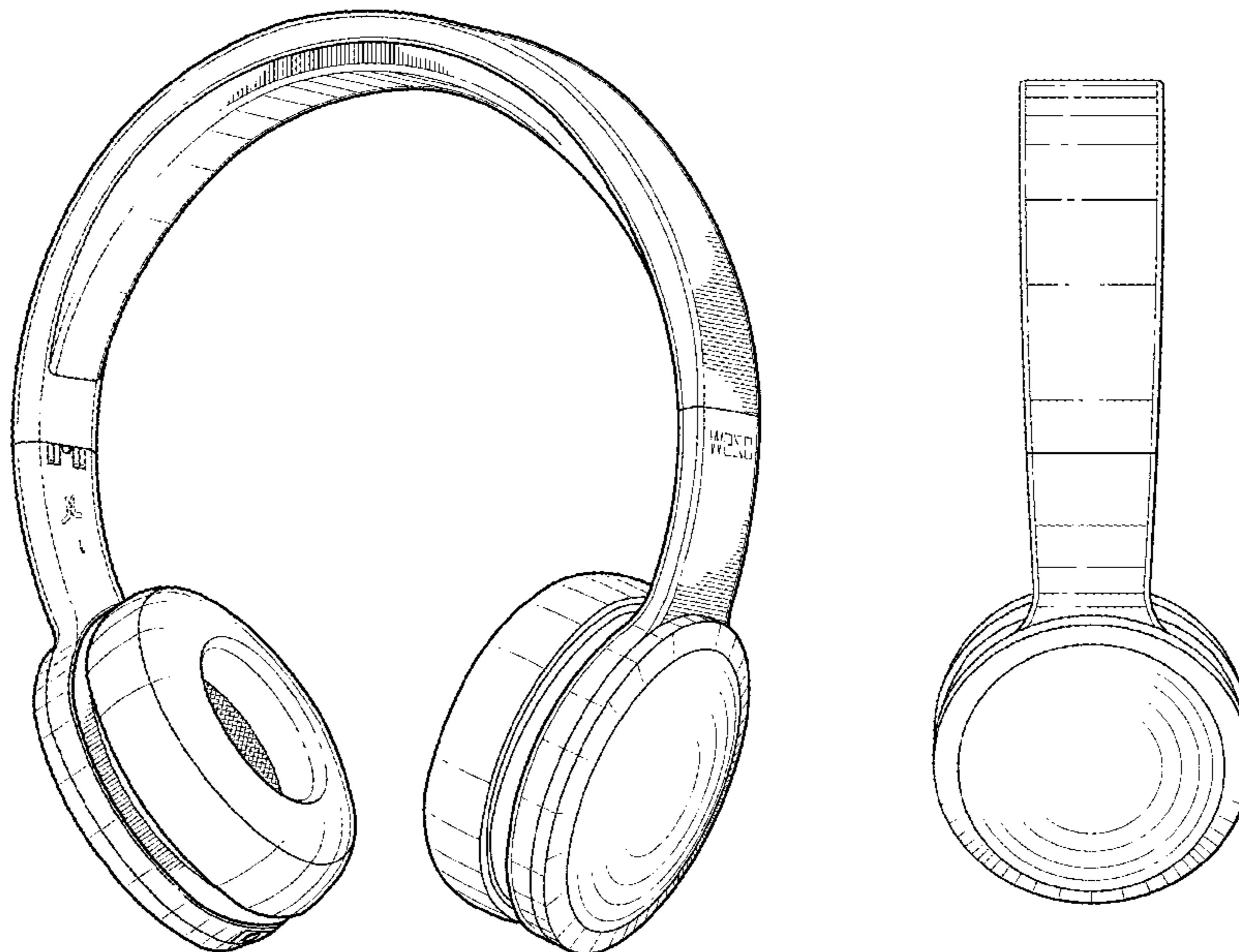
FIG. 3 is a right side view thereof, the left side view being identical to the right side view;

FIG. 4 is a top view thereof;

FIG. 5 is a bottom view thereof; and,

FIG. 6 is an exploded front perspective view thereof with the headband of the headphones shown in an alternate position. The broken line showing of the Figures is for purposes of illustration and forms no part of the claimed design.

1 Claim, 6 Drawing Sheets



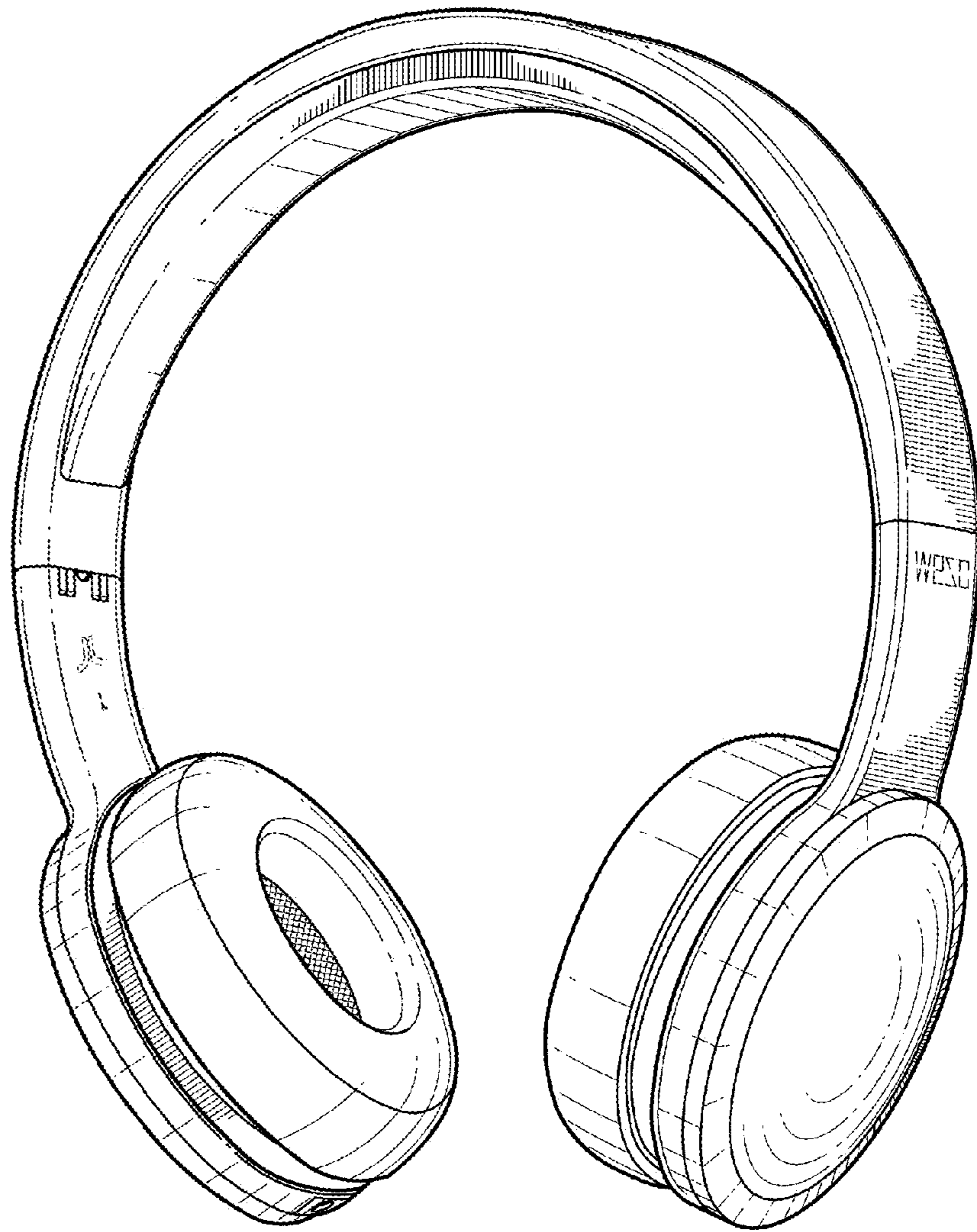


FIG. 1

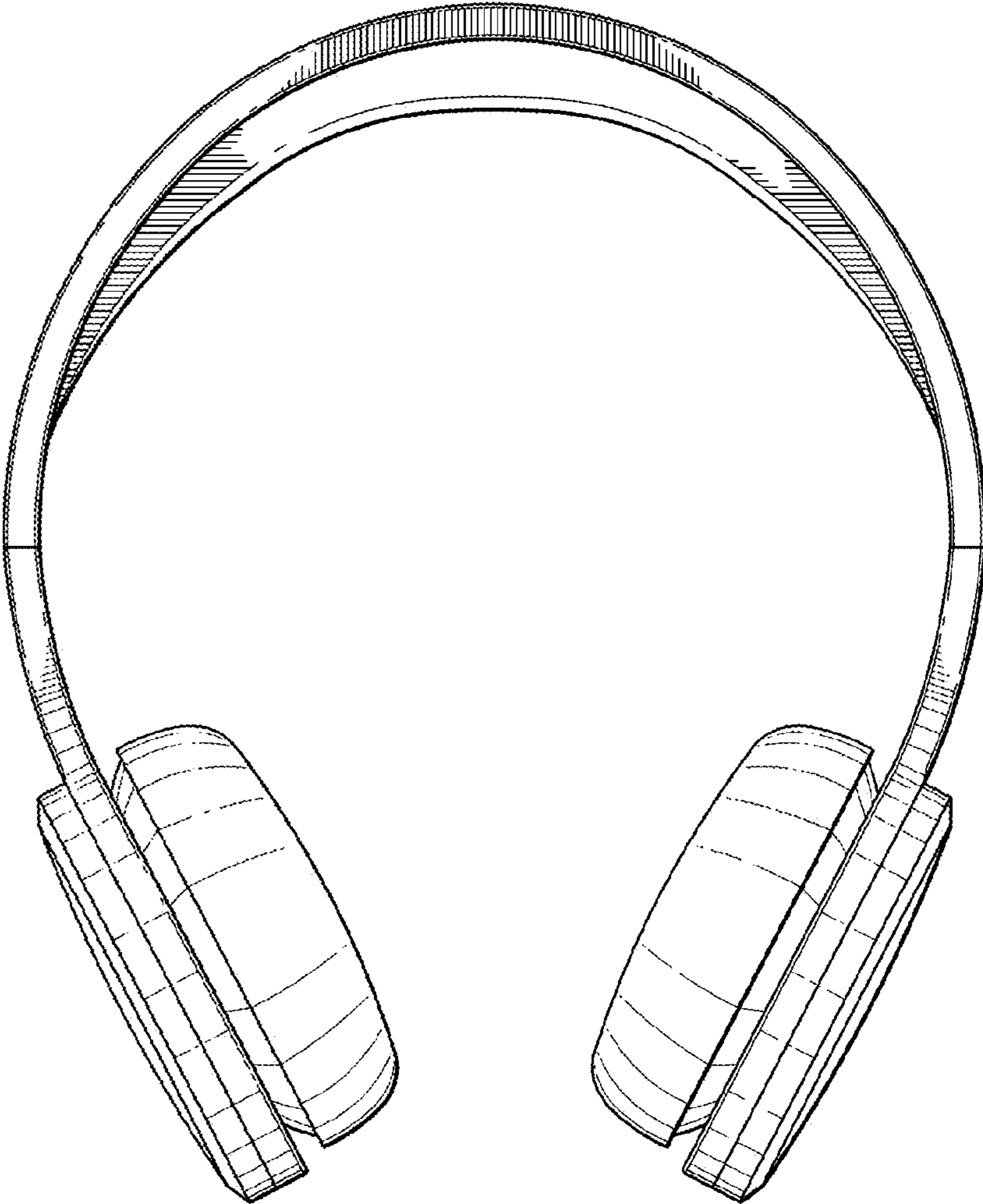


FIG. 2

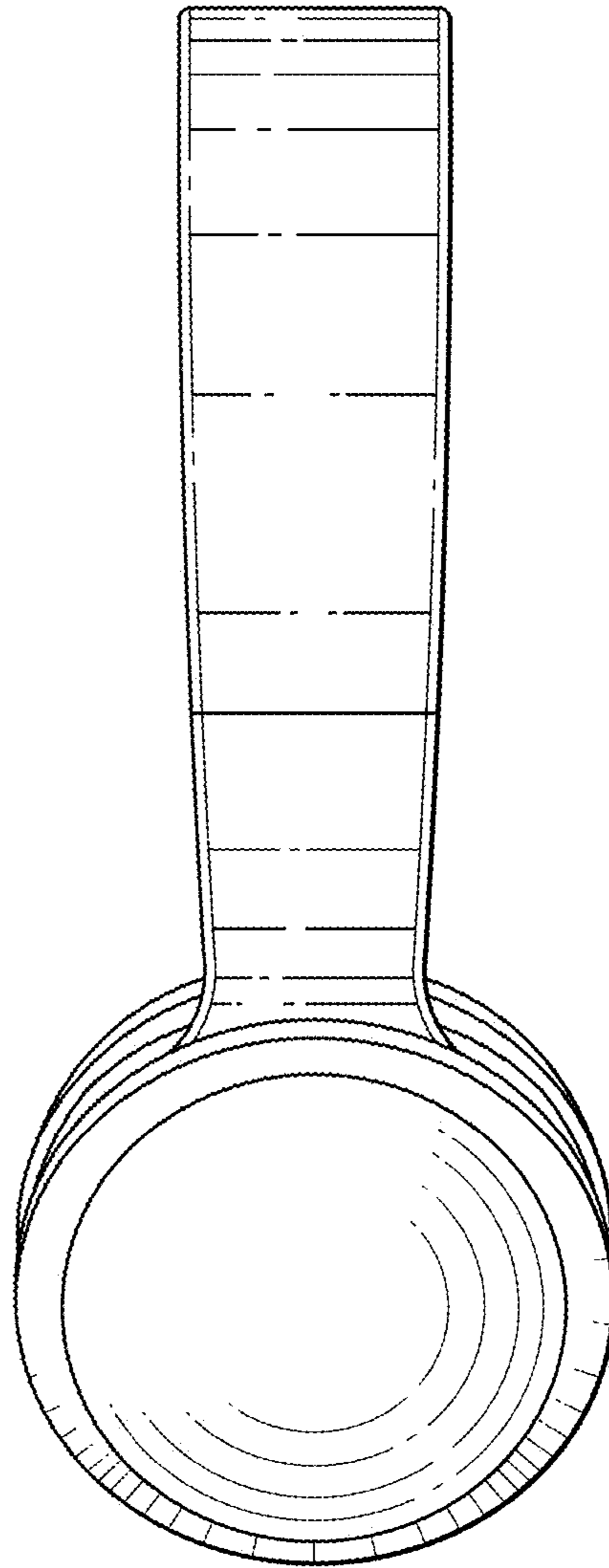


FIG. 3

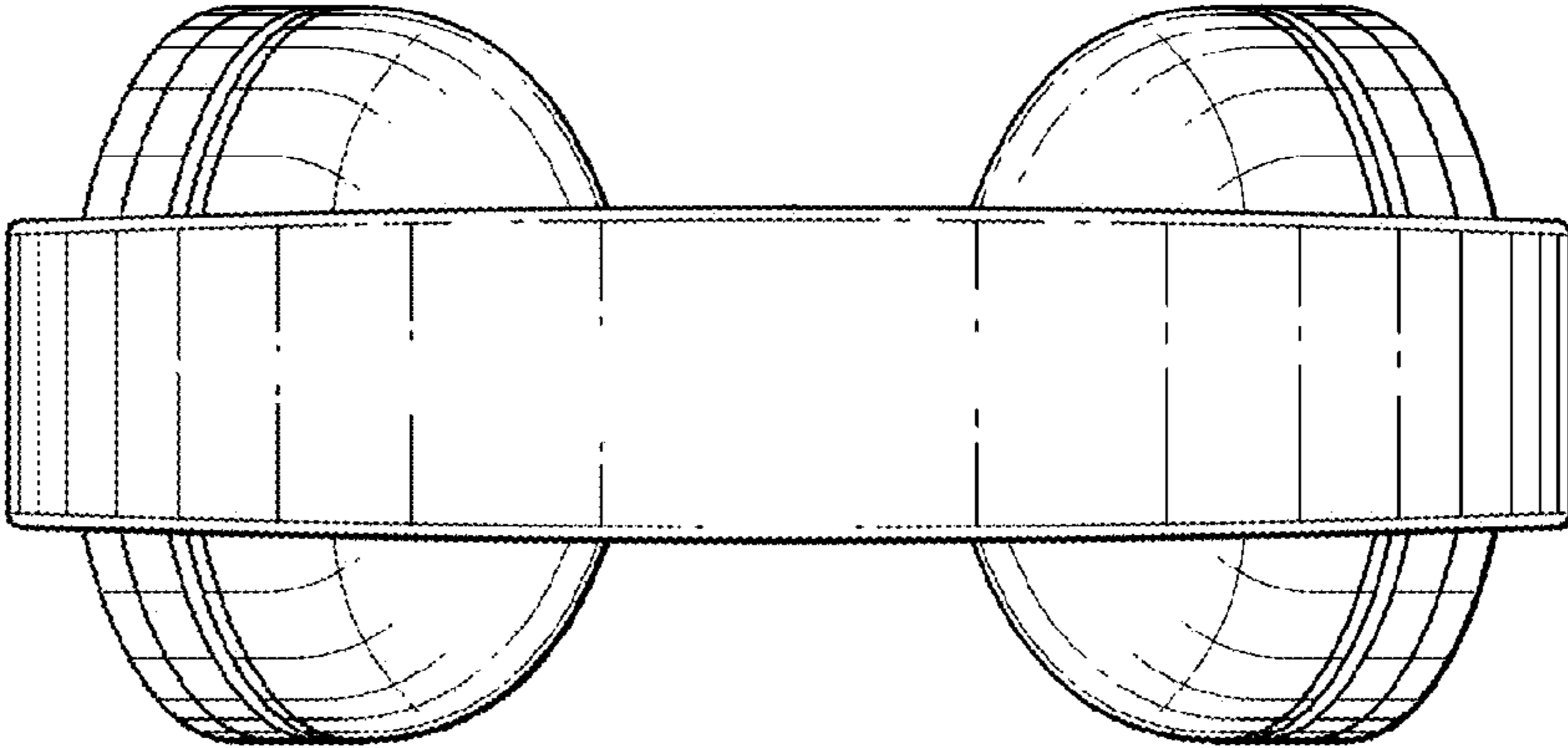


FIG. 4

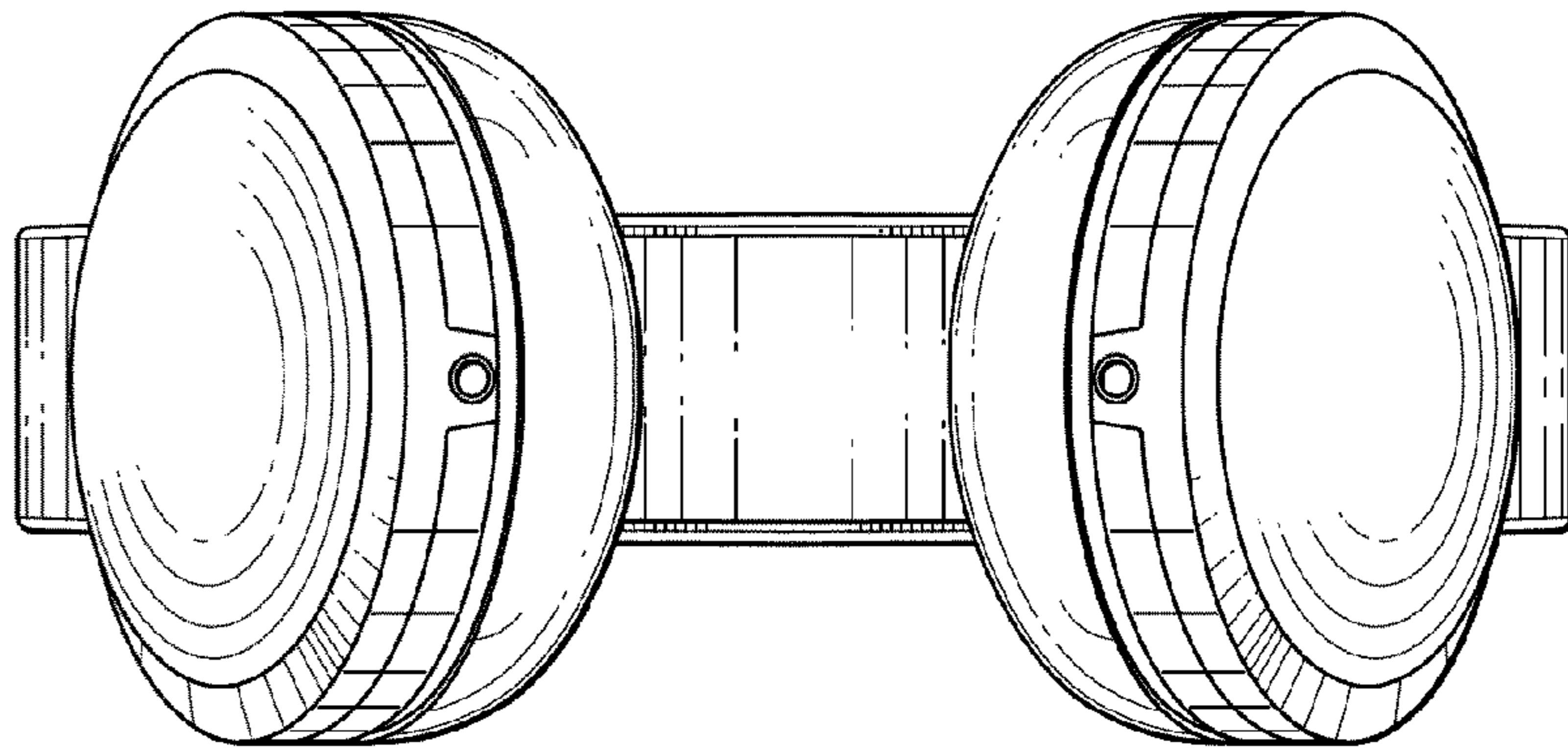


FIG. 5

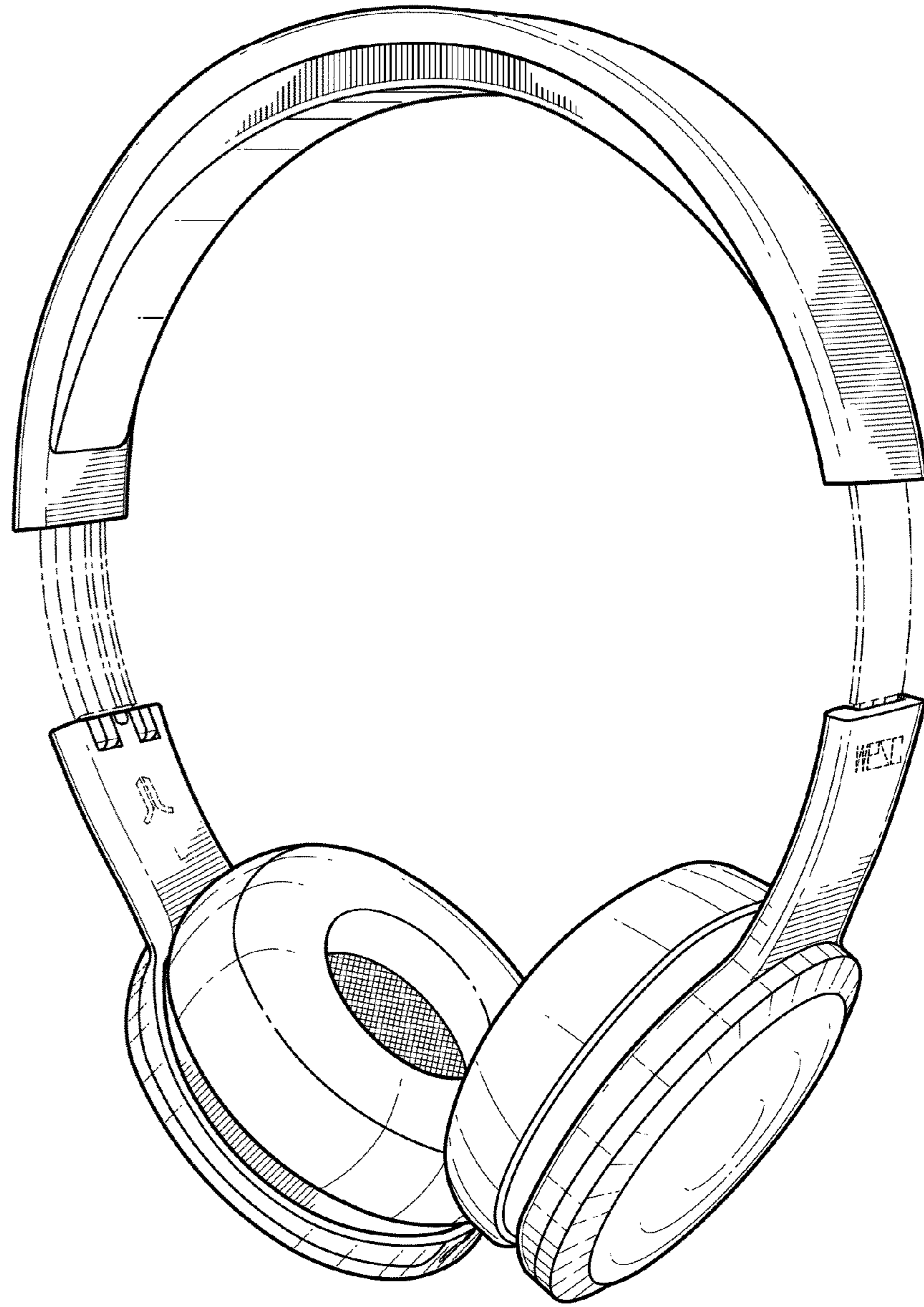


FIG. 6

UNITED STATES PATENT AND TRADEMARK OFFICE
CERTIFICATE OF CORRECTION

PATENT NO. : D683,329 S
APPLICATION NO. : 29/438189
DATED : May 28, 2013
INVENTOR(S) : Hagelin

Page 1 of 8

It is certified that error appears in the above-identified patent and that said Letters Patent is hereby corrected as shown below:

Please delete in its entirety Patent No. D683329 S and insert in its entirety Patent No. D683329 S as shown on the attached pages.

Signed and Sealed this
Seventh Day of November, 2017



Joseph Matal
*Performing the Functions and Duties of the
Under Secretary of Commerce for Intellectual Property and
Director of the United States Patent and Trademark Office*

(12) **United States Design Patent** (10) **Patent No.:** **US D683,329 S**
Hagelin (45) **Date of Patent:** **** May 28, 2013**

(54) **HEADPHONES**
 (71) Applicant: **WeSC AB (Publ)**, Stockholm (SE)
 (72) Inventor: **Greger Hagelin**, Stockholm (SE)
 (73) Assignee: **WeSC AB (publ)**, Stockholm (SE)
 (**) Term: **14 Years**
 (21) Appl. No.: **29/438,189**
 (22) Filed: **Nov. 27, 2012**

D494,154 S * 8/2004 Polito D14/206
 D534,155 S * 12/2006 Obata D14/205
 D540,301 S * 4/2007 Obata D14/205
 D560,654 S * 1/2008 Feng D14/205
 D573,581 S * 7/2008 Gondo et al. D14/205
 D609,694 S * 2/2010 Komiyama D14/205
 D657,344 S * 4/2012 Brunner et al. D14/205
 D662,080 S * 6/2012 Carr et al. D14/205
 D663,717 S * 7/2012 Hutchieson D14/206
 D673,518 S * 1/2013 Tan D14/205
 D673,520 S * 1/2013 Tan D14/205
 D675,595 S * 2/2013 Cho et al. D14/205

* cited by examiner

Primary Examiner — Paula Greene
 (74) *Attorney, Agent, or Firm* — Kenyon & Kenyon LLP

Related U.S. Application Data

(62) Division of application No. 29/410,094, filed on Jan. 4, 2012.

Foreign Application Priority Data

Oct. 7, 2011 (EM) 1929076
 (51) **LOC (9) Cl.** **14-01**
 (52) **U.S. Cl.**
 USPC **D14/205**
 (58) **Field of Classification Search**
 USPC D14/205
 See application file for complete search history.

References Cited

U.S. PATENT DOCUMENTS

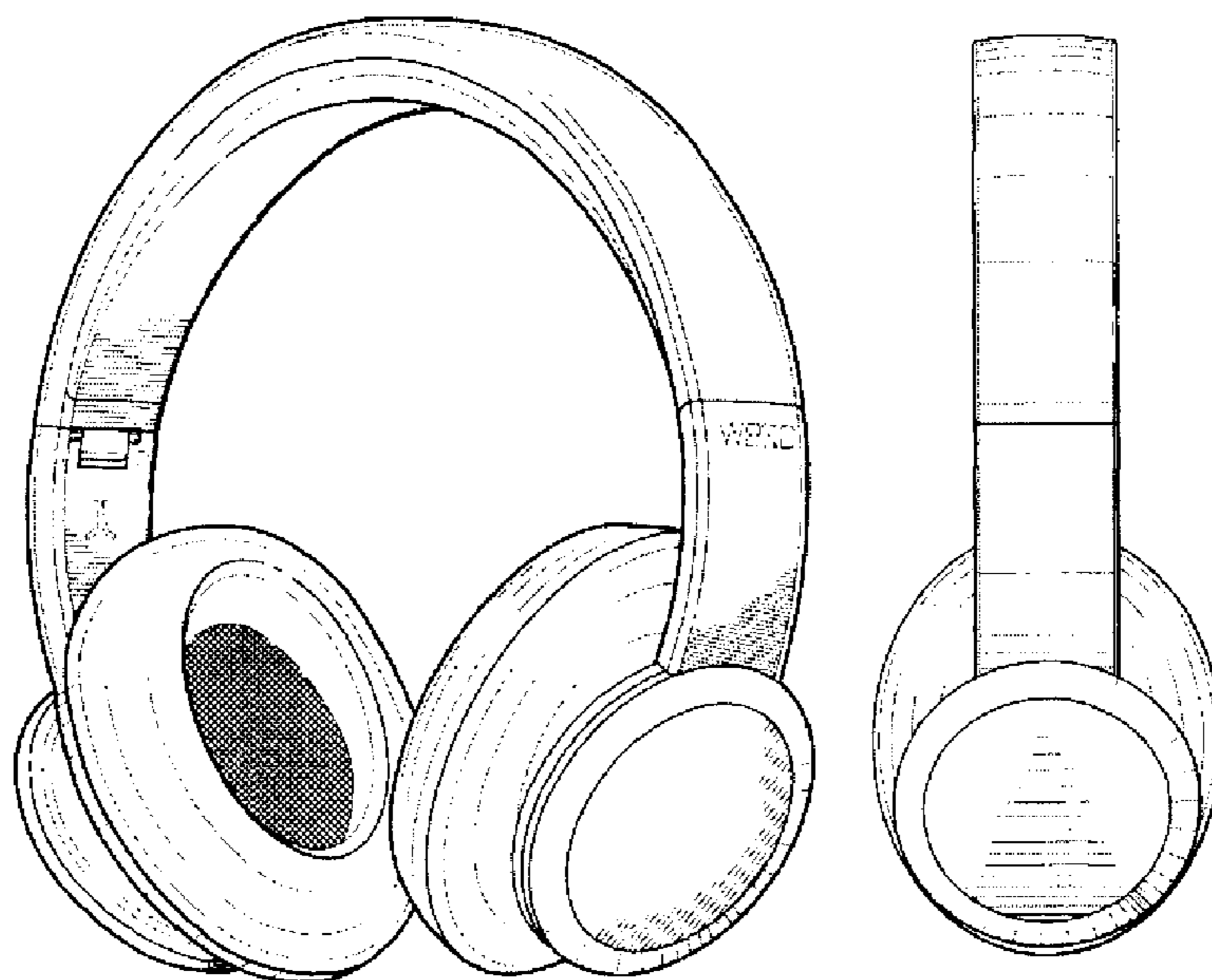
4,409,442 A * 10/1983 Kamimura 381/383
 4,571,746 A * 2/1986 Gorike 2/209
 D292,205 S * 10/1987 Kikutani D14/205
 D318,053 S * 7/1991 Ludeke et al. D14/206
 D328,461 S * 8/1992 Daido et al. D14/205

(57) **CLAIM**
 The ornamental design for headphones, as shown and described.

DESCRIPTION

FIG. 1 is a front perspective view of an ornamental design for headphones showing my new design, the opposite perspective view being a mirror image;
 FIG. 2 is a front view thereof, the rear view being identical to the front view;
 FIG. 3 is a right side view thereof, the left side view being identical to the right side view;
 FIG. 4 is a top view thereof;
 FIG. 5 is a bottom view thereof; and,
 FIG. 6 is an exploded front perspective view thereof with the headband of the headphones shown in an alternate position. The broken line showing of the Figures is for purposes of illustration and forms no part of the claimed design.

1 Claim, 6 Drawing Sheets



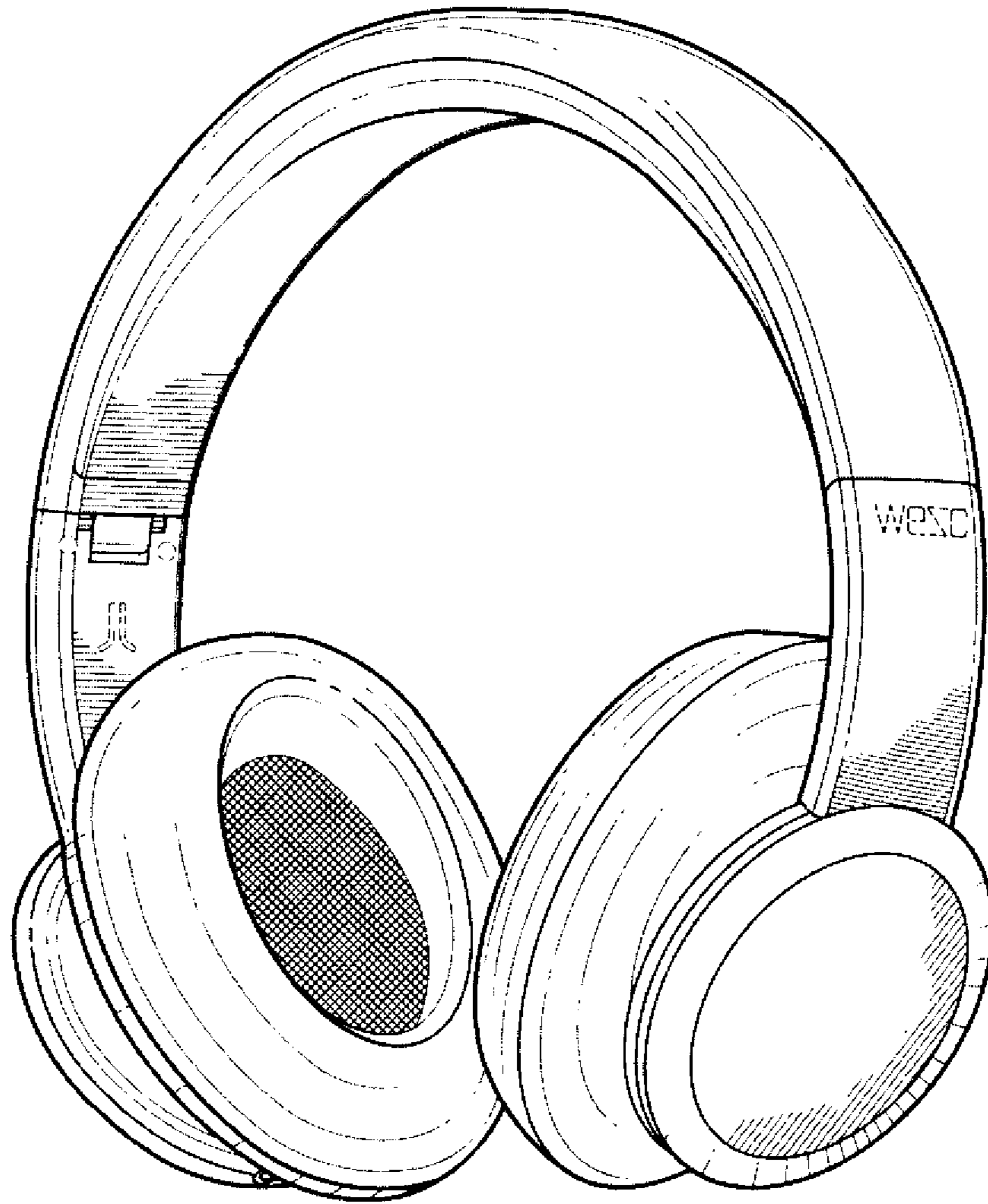


FIG. 1



FIG. 2

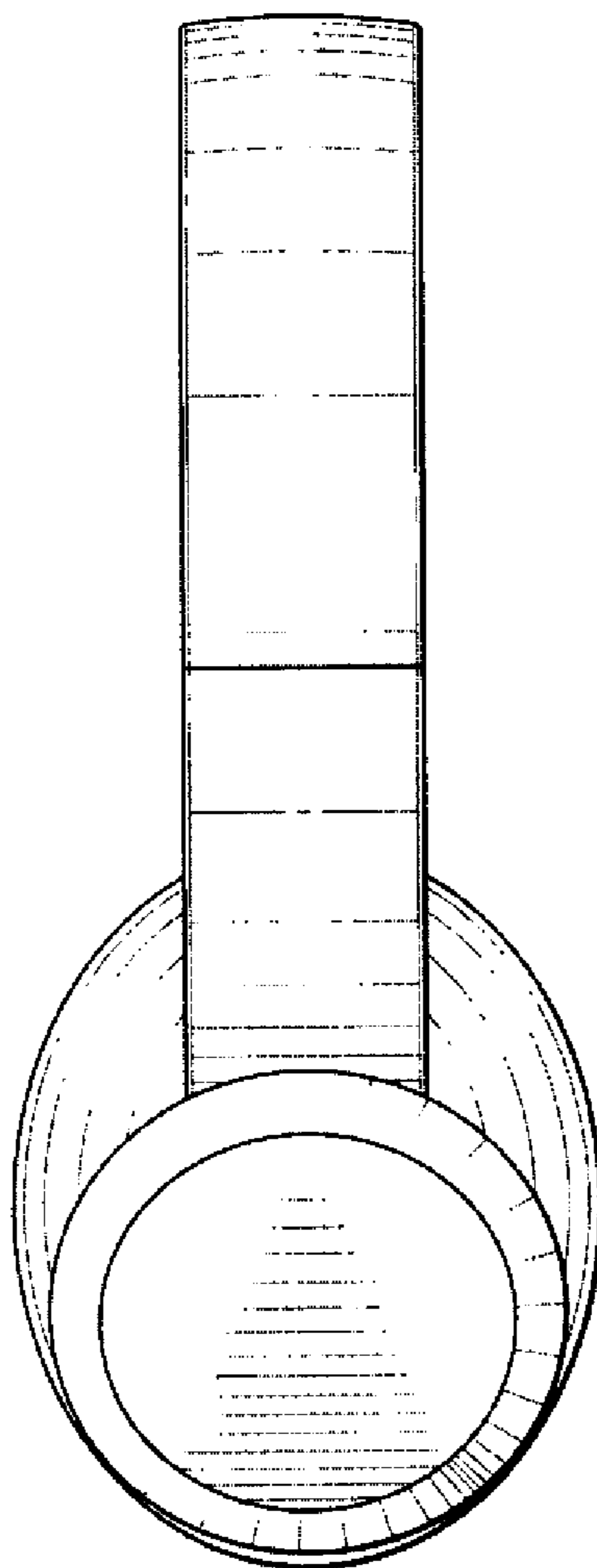


FIG. 3

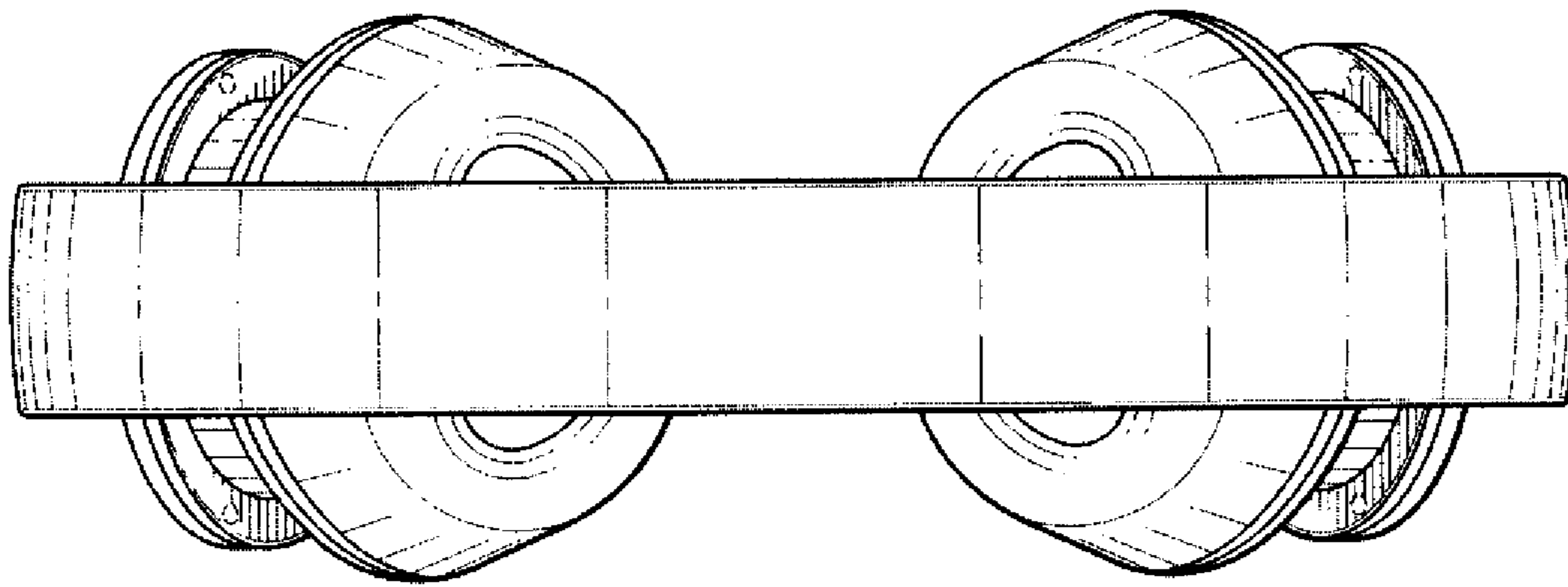


FIG. 4

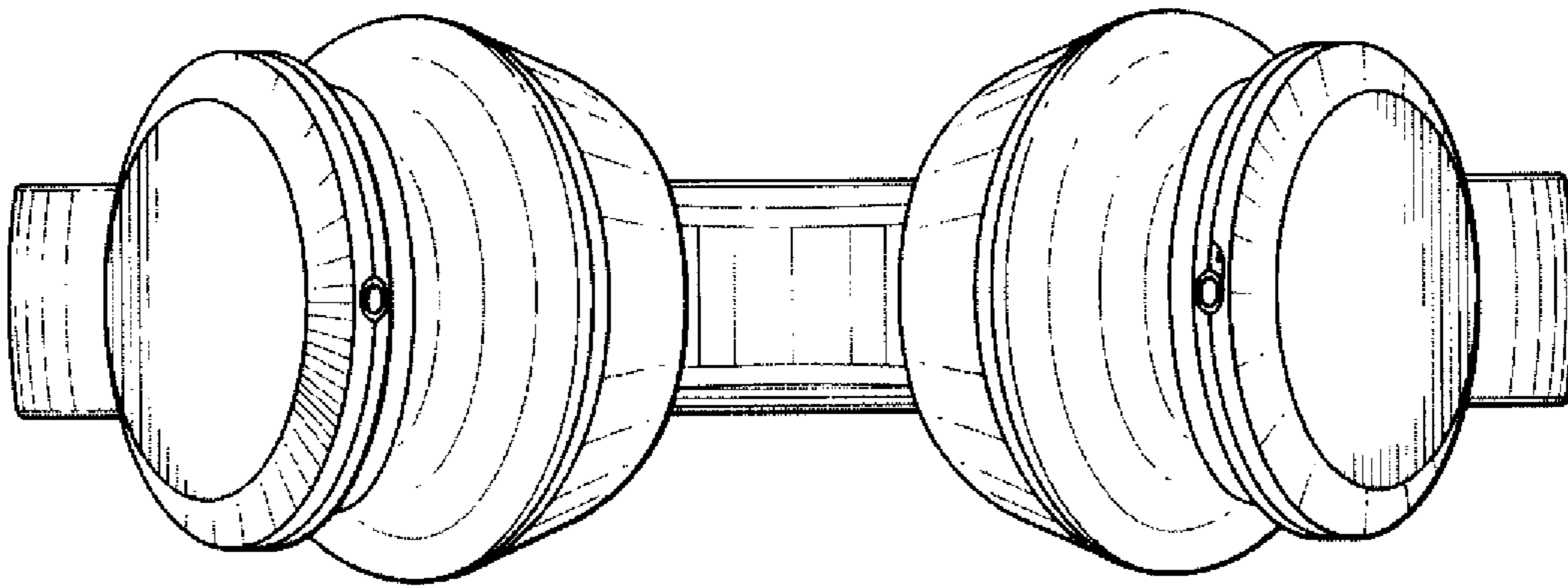


FIG. 5

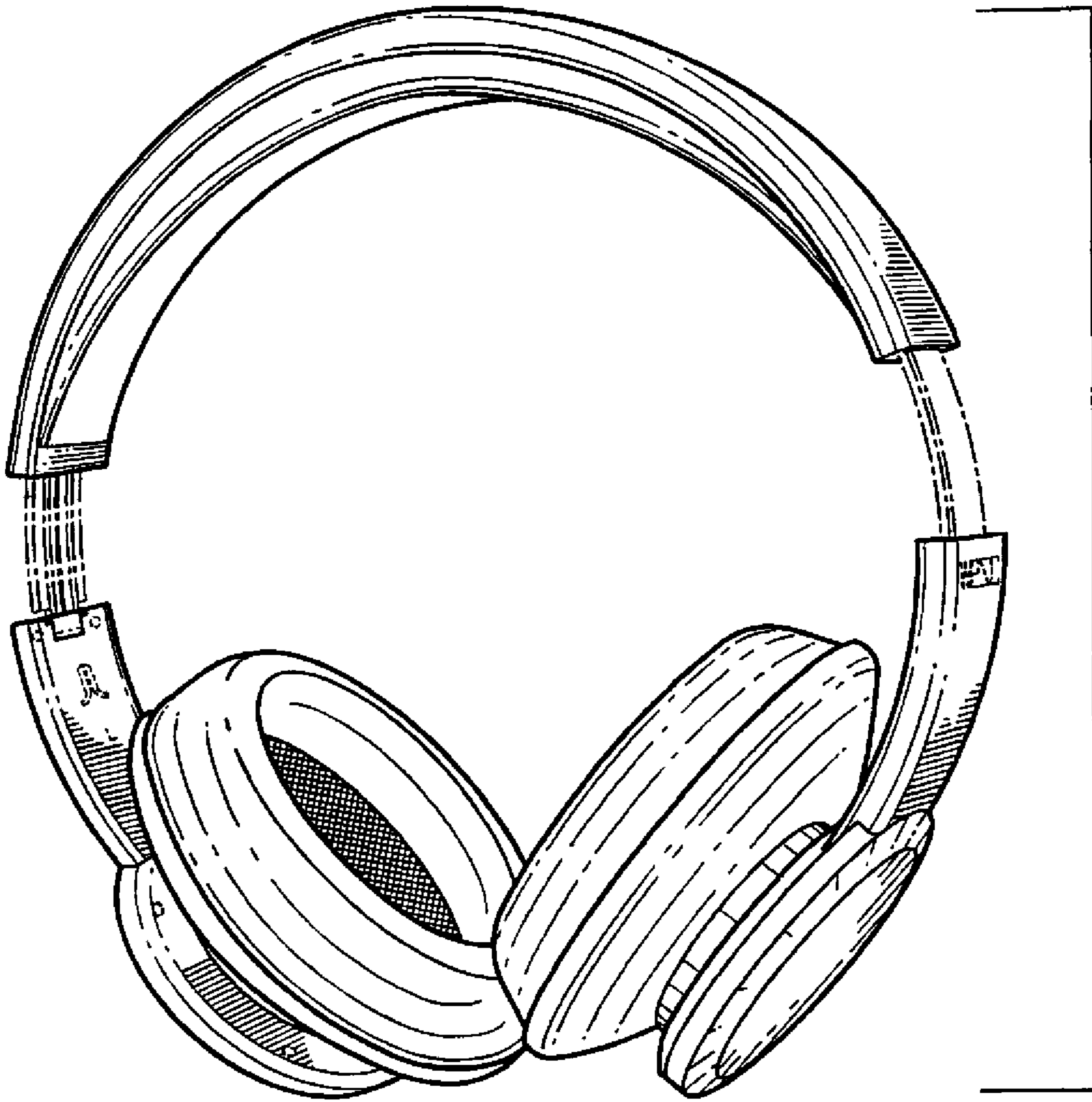


FIG. 6