



US00D683328S

(12) **United States Design Patent**
Kitayama

(10) **Patent No.:** **US D683,328 S**

(45) **Date of Patent:** **** May 28, 2013**

(54) **EARPHONE**

(75) Inventor: **Sohei Kitayama**, Tokyo (JP)

(73) Assignee: **Sony Corporation**, Tokyo (JP)

(**) Term: **14 Years**

(21) Appl. No.: **29/421,751**

(22) Filed: **Sep. 14, 2012**

Related U.S. Application Data

(60) Division of application No. 29/371,396, filed on Feb. 7, 2011, now Pat. No. Des. 668,637, which is a continuation-in-part of application No. 29/347,552, filed on Mar. 3, 2010, now Pat. No. Des. 634,730, and a continuation-in-part of application No. 29/347,553, filed on Mar. 3, 2010, now Pat. No. Des. 636,377, and a continuation-in-part of application No. 29/347,563, filed on Mar. 4, 2010, now Pat. No. Des. 632,282, and a continuation-in-part of application No. 29/347,573, filed on Mar. 5, 2010, now Pat. No. Des. 635,574, and a continuation-in-part of application No. 29/347,588, filed on Mar. 10, 2010, now Pat. No. Des. 635,957, and a continuation-in-part of application No. 29/347,605, filed on Mar. 12, 2010, now Pat. No. Des. 633,899, and a continuation-in-part of application No. 29/347,870, filed on Jun. 30, 2010, now Pat. No. Des. 663,286.

(30) **Foreign Application Priority Data**

Oct. 28, 2009 (JP) D2009-025258
Oct. 28, 2009 (JP) D2009-025259
Oct. 28, 2009 (JP) D2009-025260
Nov. 6, 2009 (JP) D2009-026022
Nov. 6, 2009 (JP) D2009-026023
Jan. 29, 2010 (CN) 2010 3 0114246

(51) **LOC (9) Cl.** **14-01**

(52) **U.S. Cl.**
USPC **D14/205**

(58) **Field of Classification Search**

USPC D14/205, 192, 203.3, 216, 215, 217,
D14/240, 249; 181/129, 130, 131, 135;
379/430, 431; 381/380, 381; 345/7; D20/11,
D20/28, 34; 455/90.3, 575.1
See application file for complete search history.

(56) **References Cited**

U.S. PATENT DOCUMENTS

D55,631 S * 7/1920 McMullan et al. D10/109.1
3,440,663 A * 4/1969 Beguin 2/209
D262,019 S * 11/1981 Upshaw D14/205
D267,429 S 12/1982 Harada
4,375,016 A 2/1983 Harada
4,471,490 A 9/1984 Bellafore

(Continued)

FOREIGN PATENT DOCUMENTS

JP D1337832 S 8/2008
JP D1337833 S 8/2008
JP D1342066 S 11/2008
JP D1345789 S 12/2008

Primary Examiner — Paula Greene

(74) *Attorney, Agent, or Firm* — Rader, Fishman & Grauer
PLLC

(57) **CLAIM**

The ornamental design for a earphone, as shown and described.

DESCRIPTION

FIG. 1 is a perspective view of a earphone showing our new design.

FIG. 2 is a front elevational view thereof;

FIG. 3 is a rear elevational view thereof;

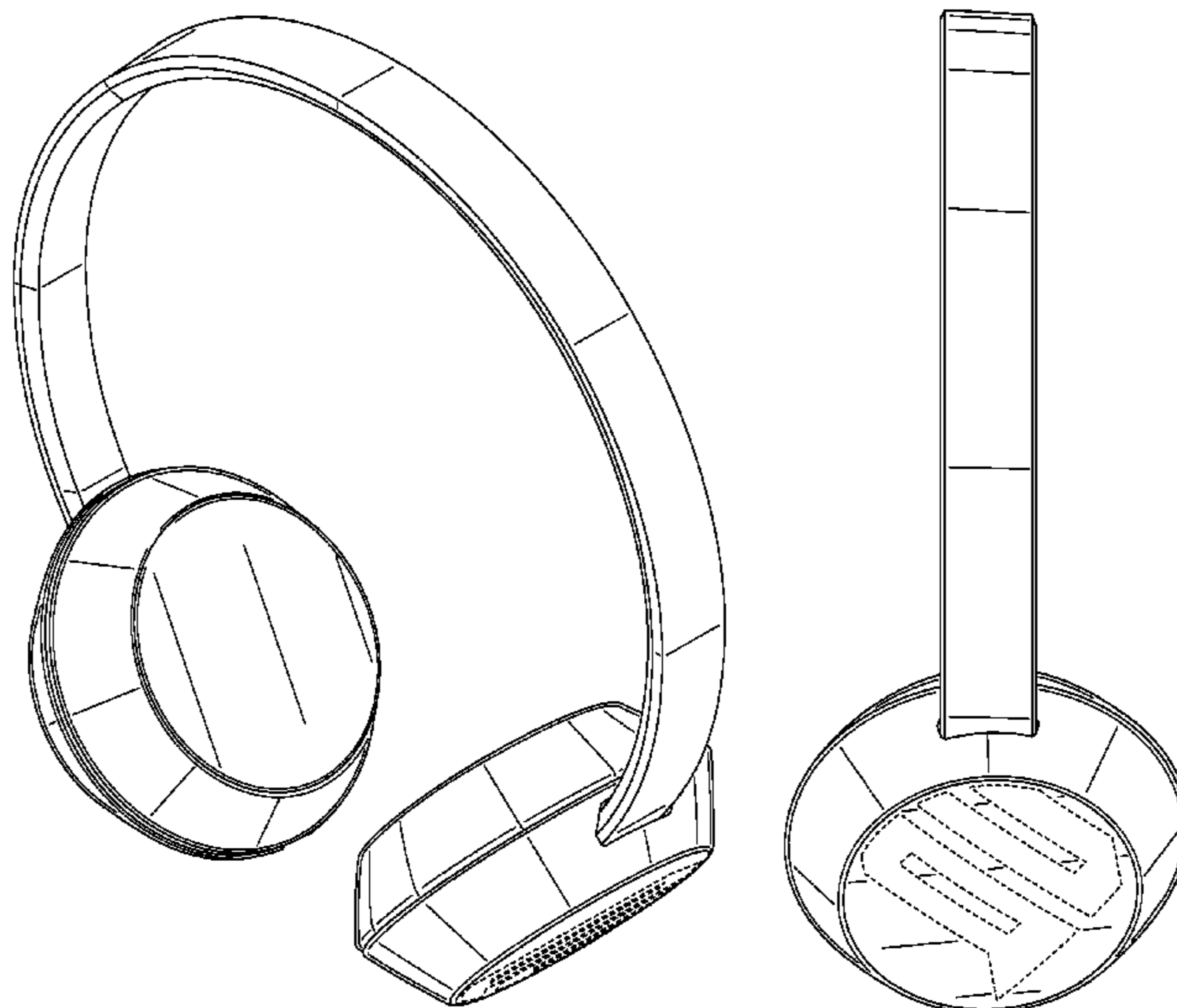
FIG. 4 is a left side elevational view thereof;

FIG. 5 is a right side elevational view thereof;

FIG. 6 is a top plan view thereof; and,

FIG. 7 is a bottom plan view thereof.

1 Claim, 5 Drawing Sheets



US D683,328 S

Page 2

U.S. PATENT DOCUMENTS

D334,196 S *	3/1993	Seggerman	D14/249	D539,267 S *	3/2007	Komiyama	D14/205
D340,286 S	10/1993	Seo		D556,326 S	11/2007	Espersen	
D343,621 S *	1/1994	Fine et al.	D14/205	7,349,550 B2	3/2008	Oliveira et al.	
D345,361 S *	3/1994	Grasso	D14/205	D589,151 S	3/2009	Sabio	
D347,434 S *	5/1994	Yamatogi	D14/205	D589,498 S	3/2009	Komiyama	
D353,379 S	12/1994	Nakamura et al.		7,570,777 B1	8/2009	Taenzer et al.	
D355,702 S	2/1995	Johnson		D625,705 S *	10/2010	Ohuri et al.	D14/205
D377,796 S	2/1997	Hayashi		D632,282 S	2/2011	Kitayama	
5,809,573 A *	9/1998	Bary	2/209	D633,472 S	3/2011	Hirano et al.	
D402,661 S	12/1998	Hayashi		D634,730 S	3/2011	Kitayama	
6,154,539 A *	11/2000	Pitel	379/430	D635,574 S	4/2011	Morisawa	
D439,574 S *	3/2001	Katayama	D14/203.5	7,965,855 B1	6/2011	Ham	
6,690,807 B1	2/2004	Meyer		D652,406 S *	1/2012	Lee et al.	D14/205
D508,483 S	8/2005	Suzuki		8,111,864 B2	2/2012	Oliveira et al.	
D508,908 S *	8/2005	Chueh	D14/205	8,116,495 B2	2/2012	Spaulding	
D518,474 S	4/2006	Suzuki		D659,116 S *	5/2012	Iseki	D14/205
7,072,483 B2 *	7/2006	Lenhard-Backhaus	381/383				

* cited by examiner

FIG.1

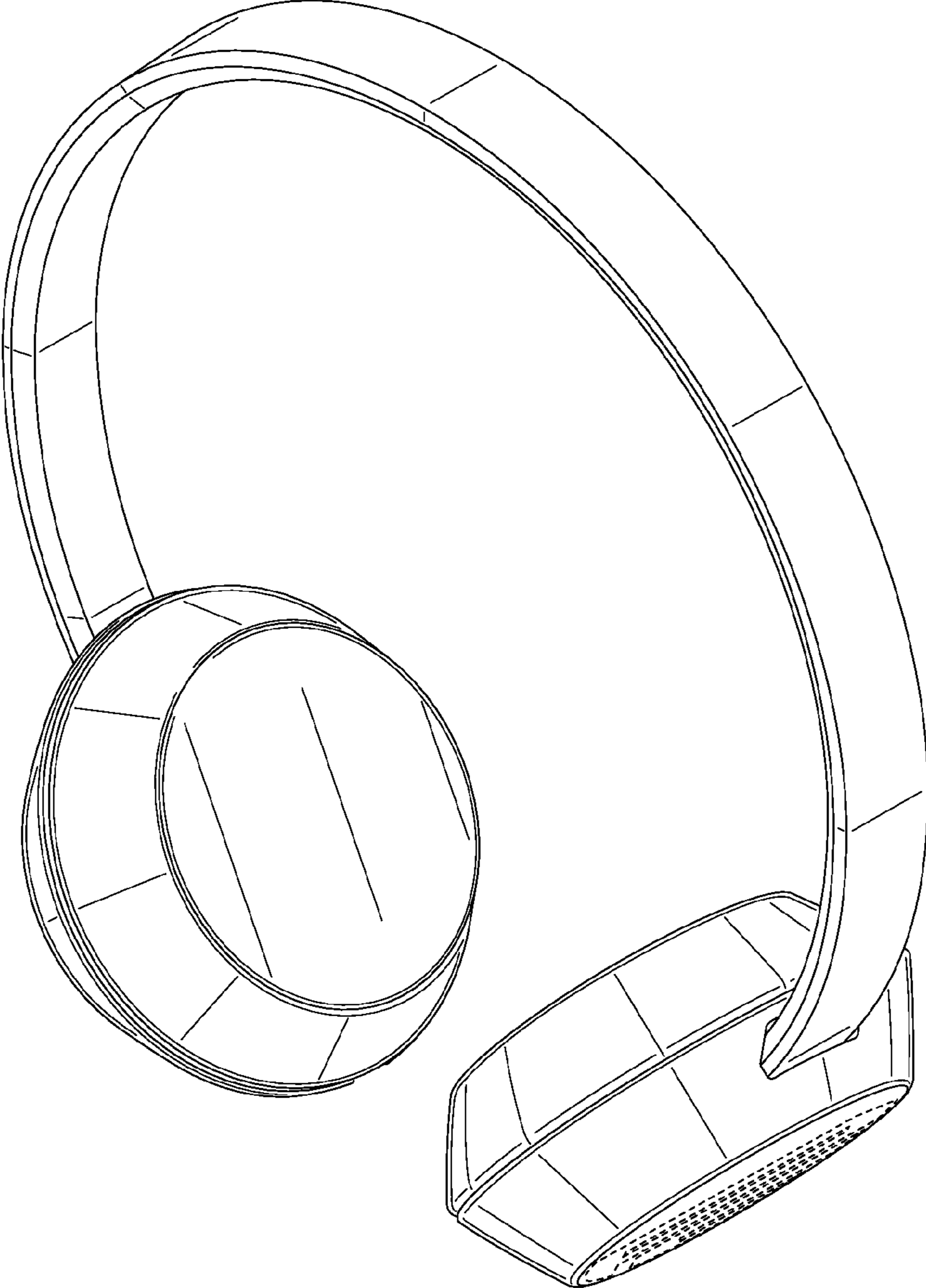


FIG.2

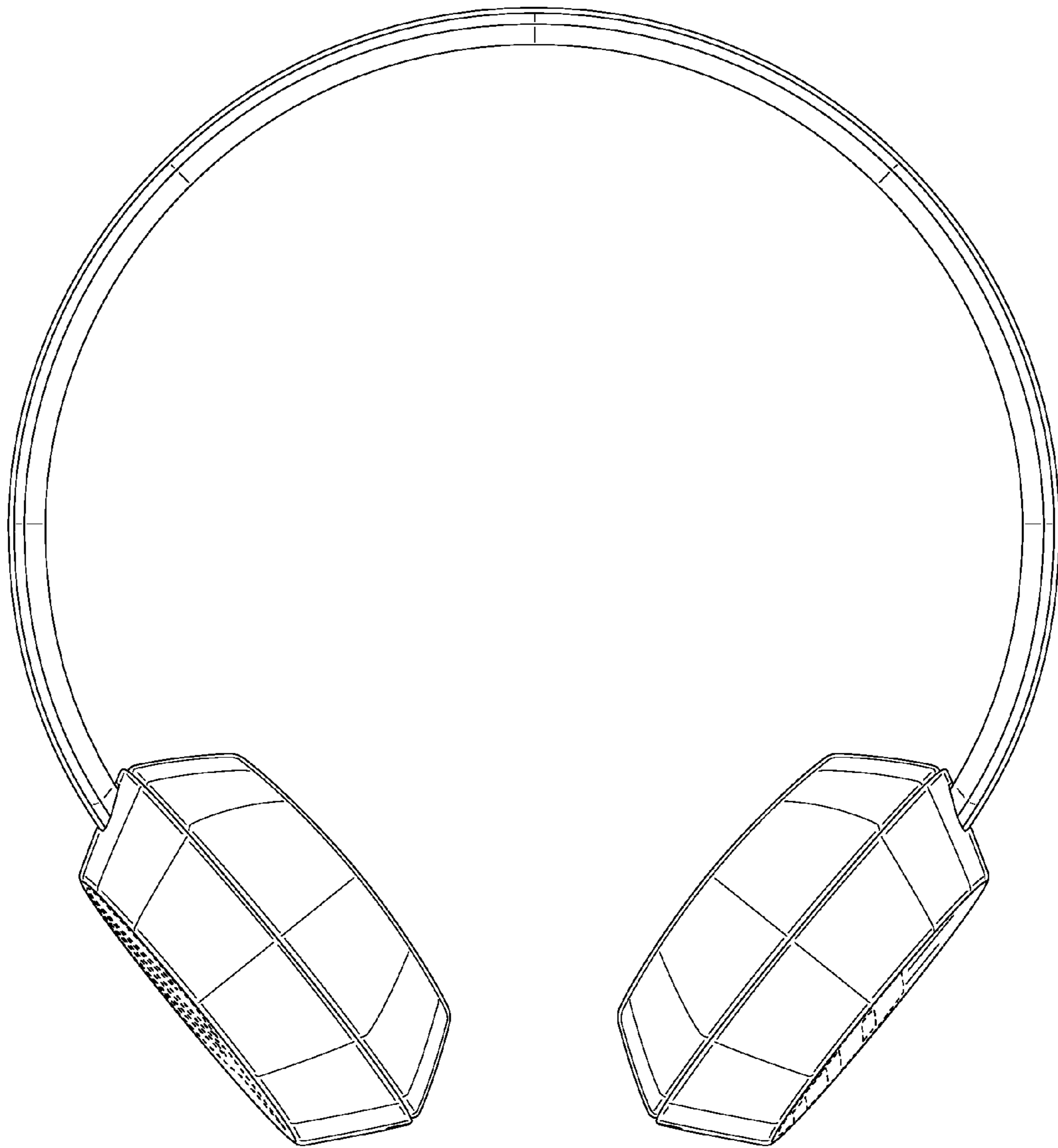


FIG.3



FIG.4

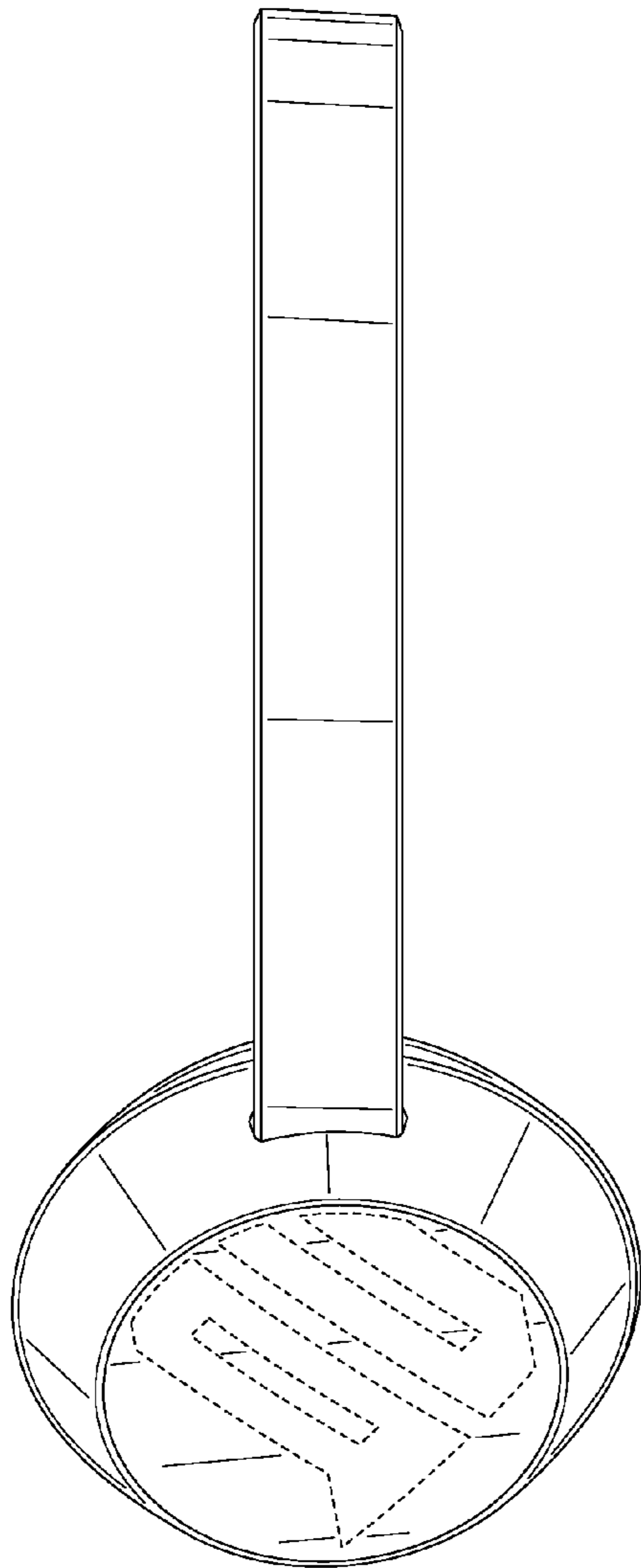


FIG.5

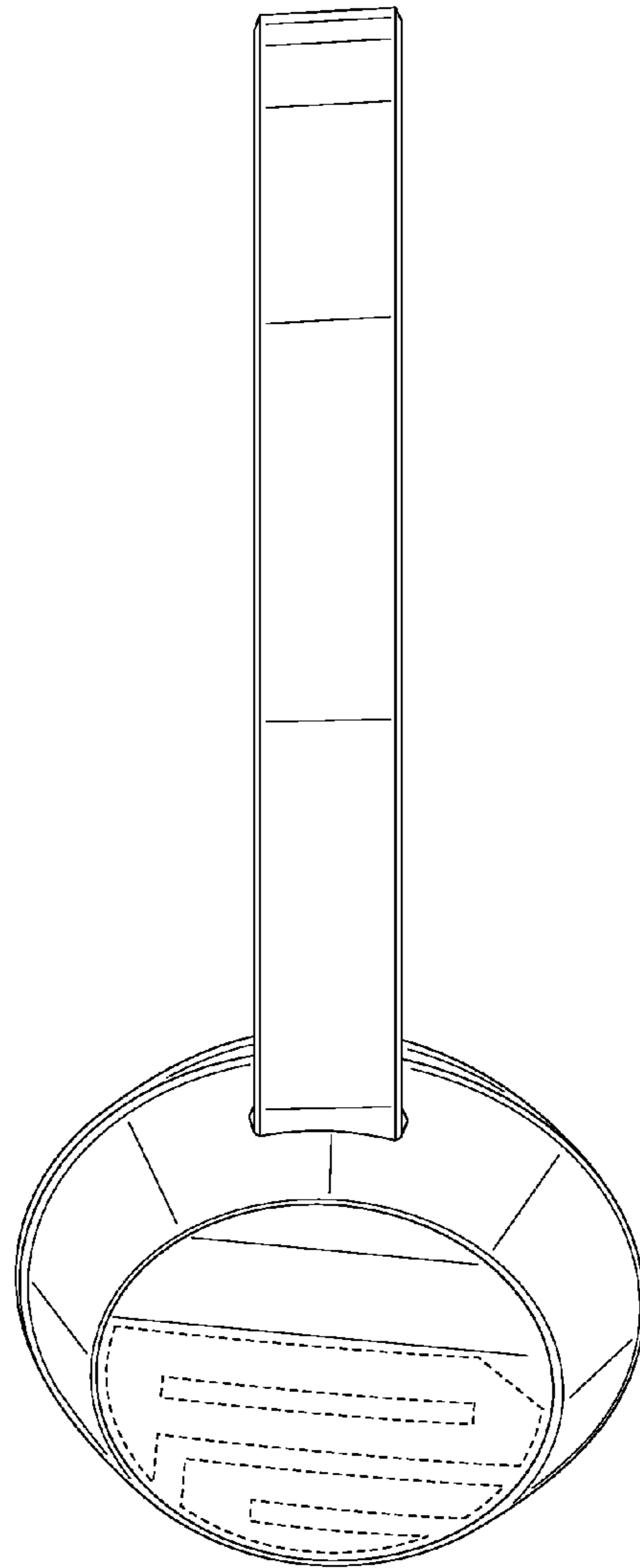


FIG.6

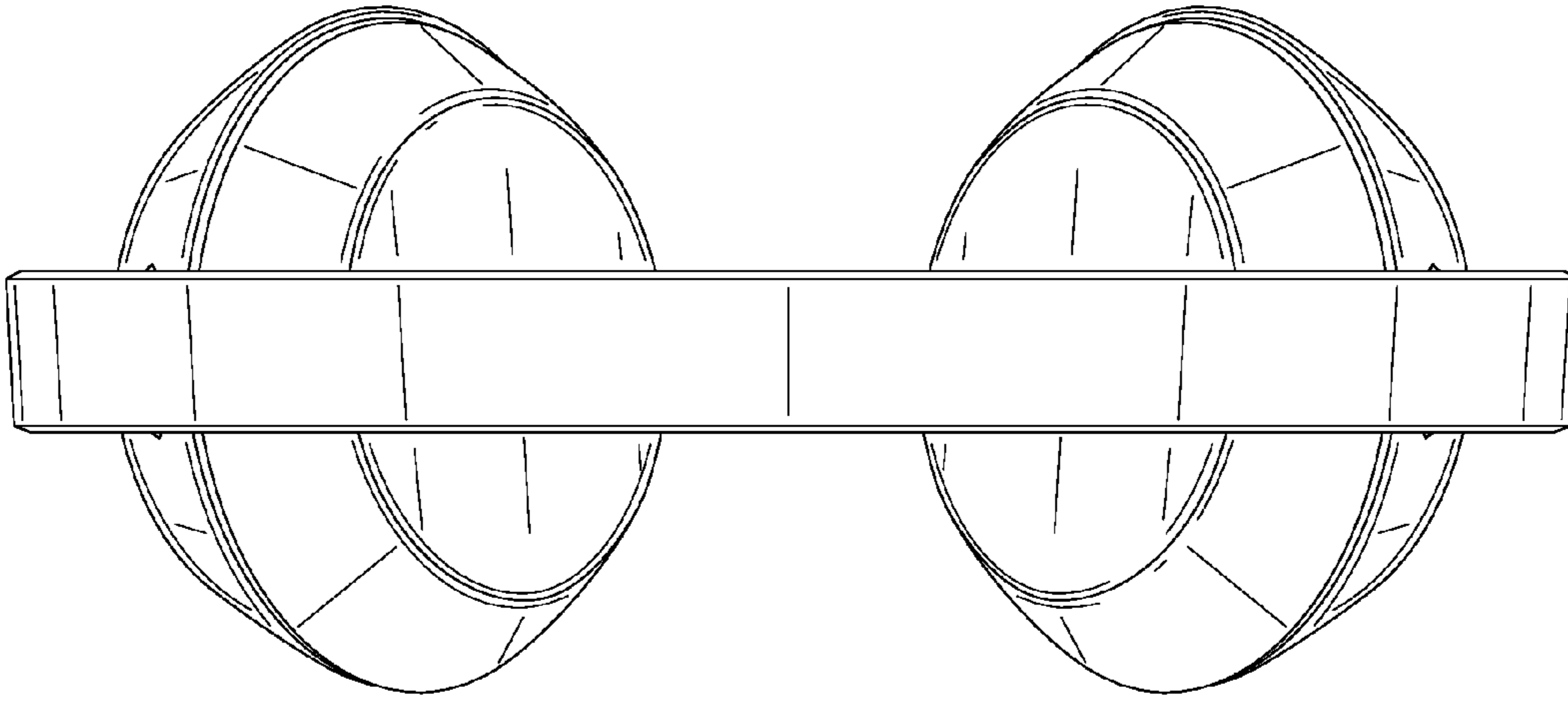


FIG.7

