



US00D683316S

(12) **United States Design Patent**
Huang

(10) **Patent No.:** **US D683,316 S**

(45) **Date of Patent:** **** May 28, 2013**

(54) **CONNECTOR**

(75) Inventor: **Sheng-Yuan Huang**, New Taipei (TW)

(73) Assignee: **Cheng Uei Precision Industry Co., Ltd.**, New Taipei (TW)

(**) Term: **14 Years**

(21) Appl. No.: **29/400,989**

(22) Filed: **Sep. 6, 2011**

(51) **LOC (9) Cl.** **13-03**

(52) **U.S. Cl.**
USPC **D13/147**

(58) **Field of Classification Search**
USPC D13/120, 133, 147, 154, 184, 199;
439/78-79, 83, 108, 181, 607.01, 607.04,
439/607.05, 607.17, 607.25, 607.34, 74,
439/607.41, 607.53, 630, 660

See application file for complete search history.

(56) **References Cited**

U.S. PATENT DOCUMENTS

D528,987 S *	9/2006	Peng	D13/147
D580,364 S *	11/2008	Huang et al.	D13/147
D580,367 S *	11/2008	Huang et al.	D13/147
D589,899 S *	4/2009	Huang et al.	D13/147

* cited by examiner

Primary Examiner — Daniel Bui

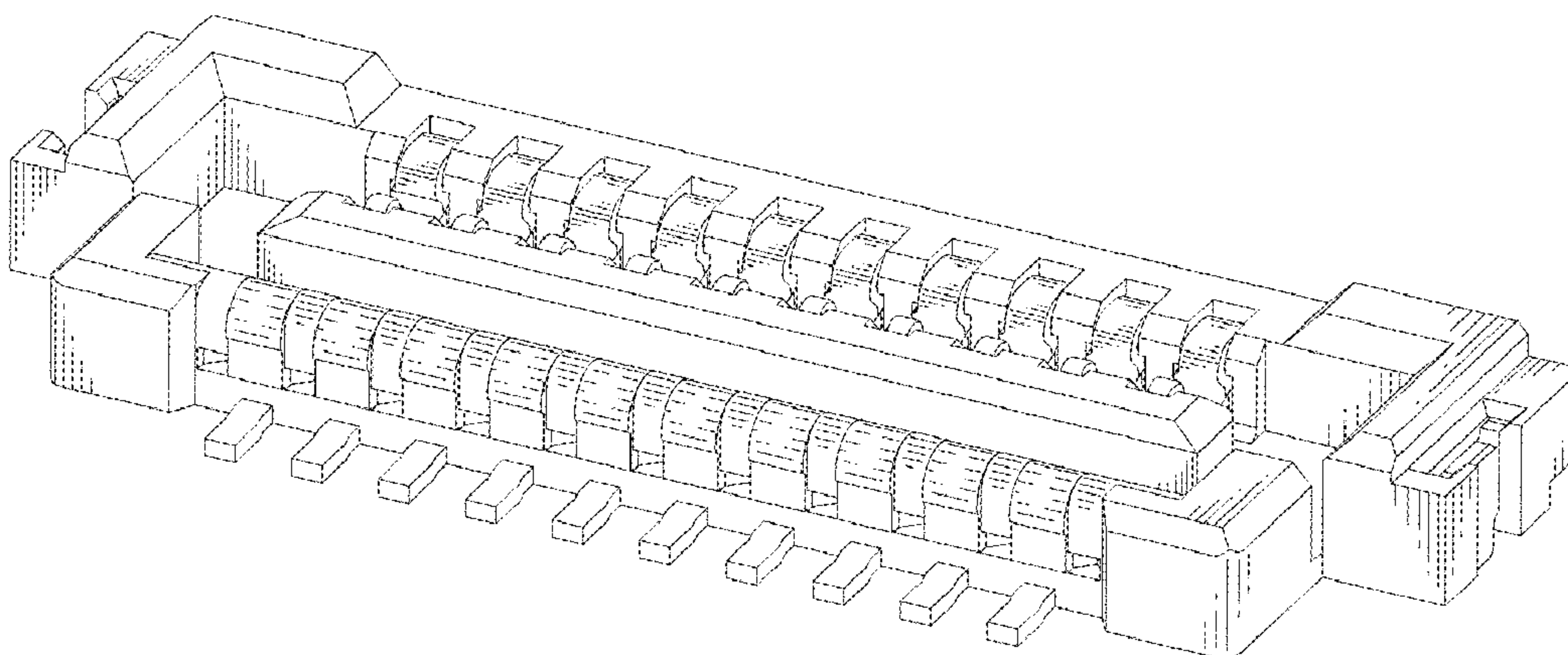
(57) **CLAIM**

The ornamental design for a connector, as shown and described.

DESCRIPTION

FIG. 1 is a perspective view of a connector showing my new design;
FIG. 2 is a front elevational view thereof;
FIG. 3 is a rear elevational view thereof;
FIG. 4 is a left side elevational view thereof;
FIG. 5 is a right side elevational view thereof;
FIG. 6 is a top plan view thereof;
FIG. 7 is a bottom plan view thereof; and,
FIG. 8 is another perspective view of the connector showing our new design.

1 Claim, 8 Drawing Sheets



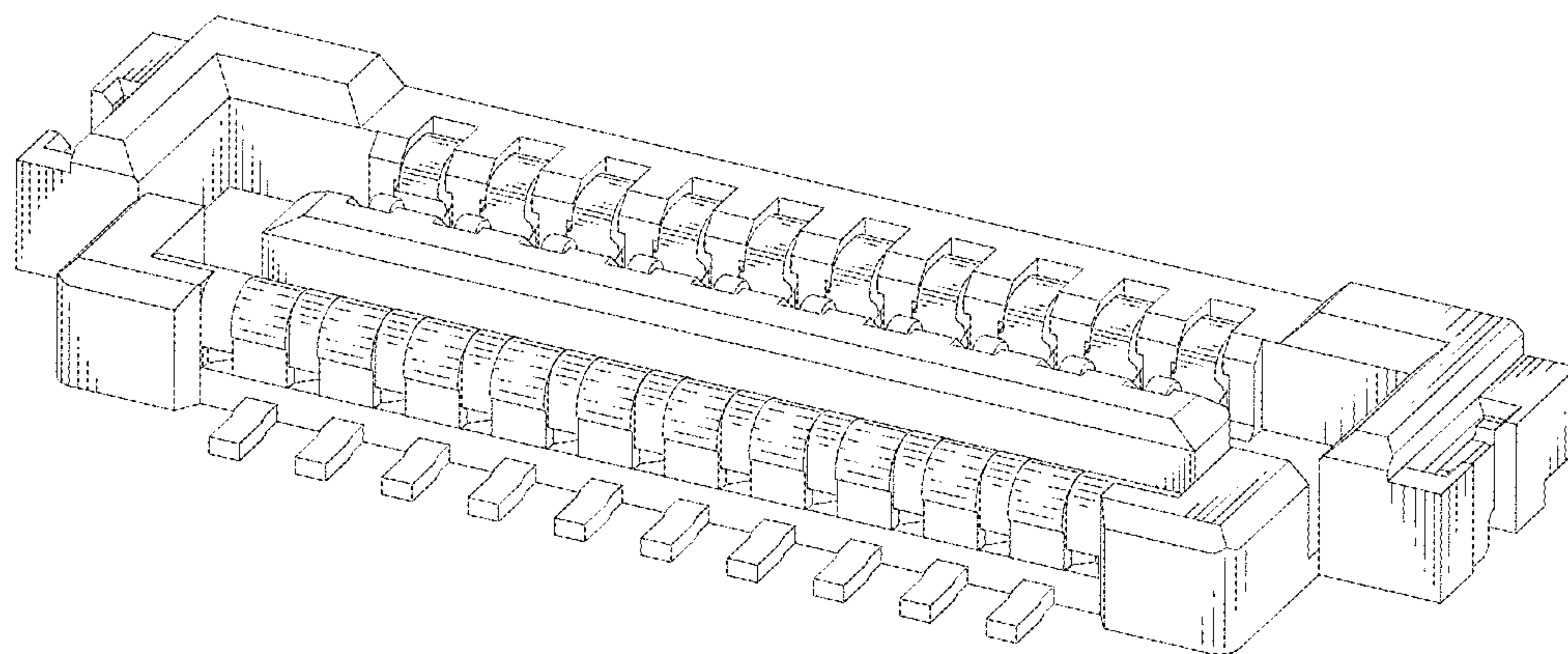


FIG. 1

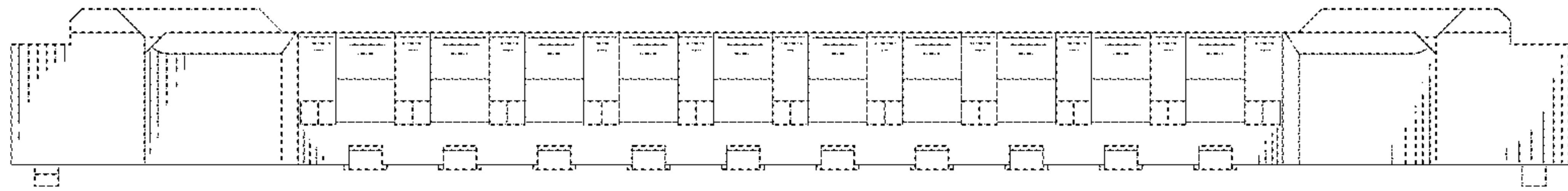


FIG. 2

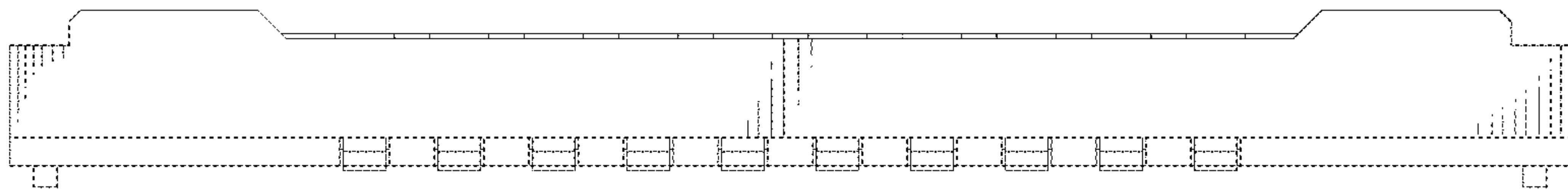


FIG. 3

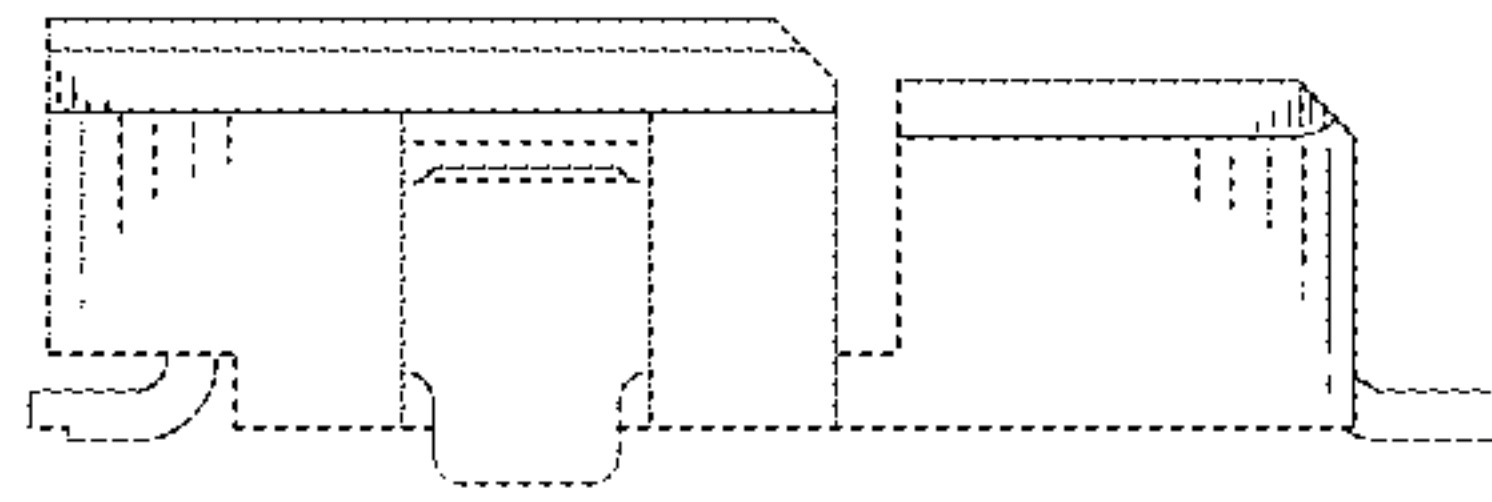


FIG. 4

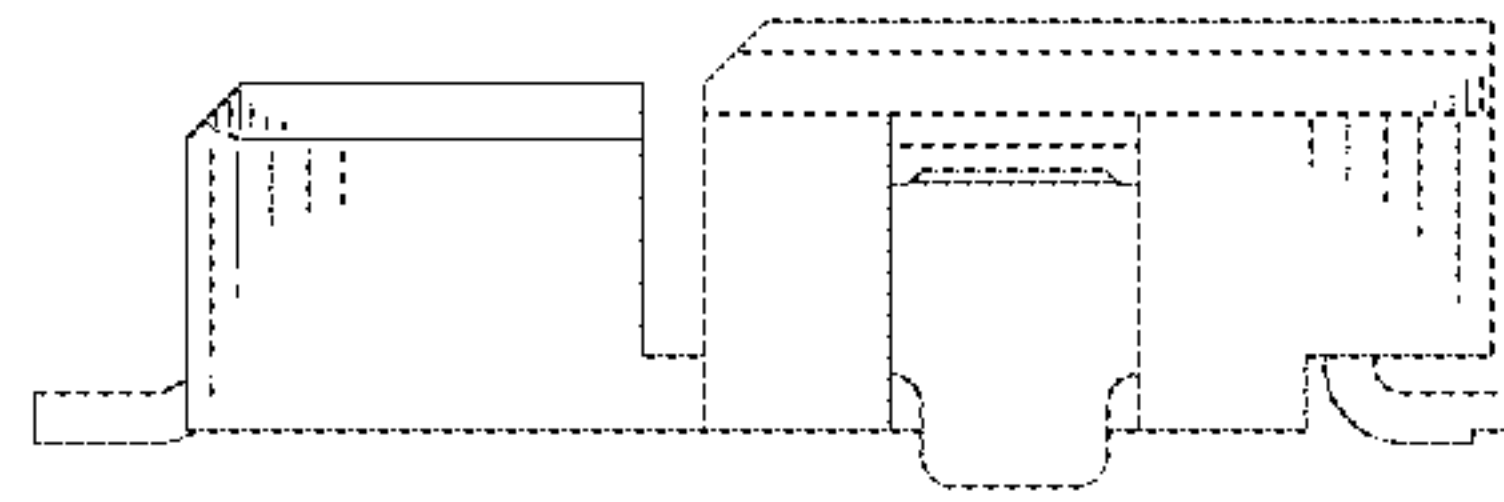


FIG. 5

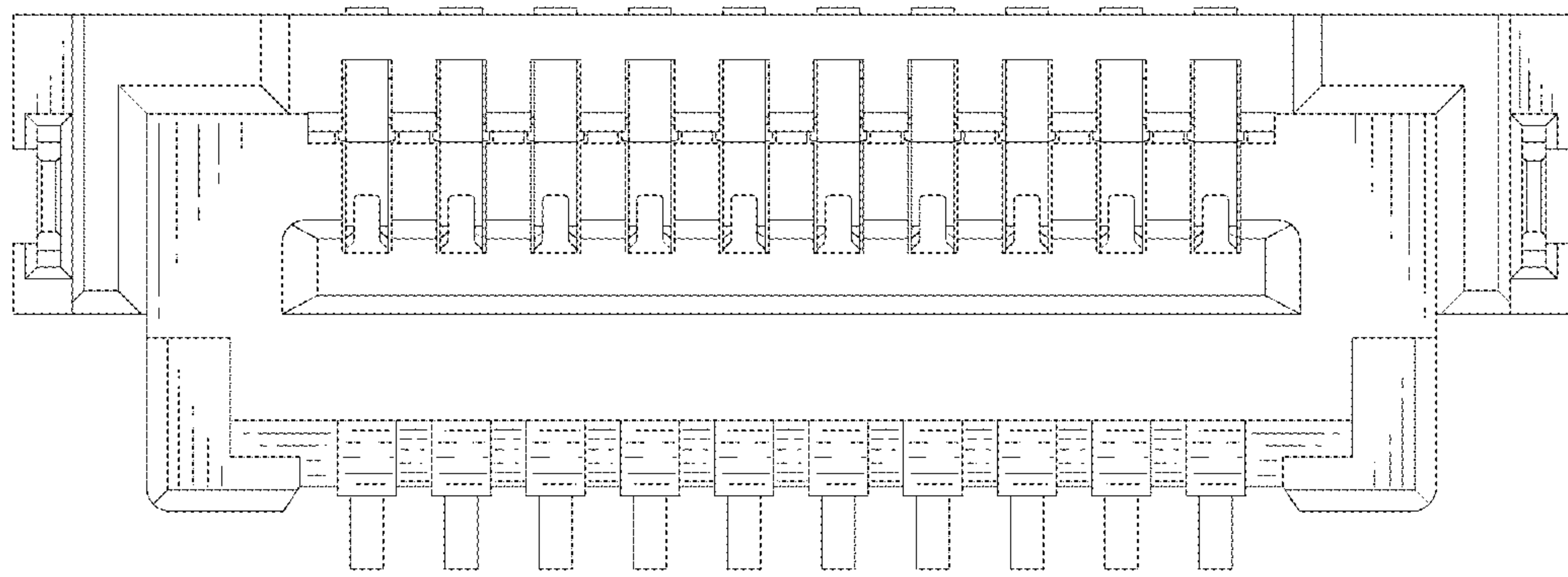


FIG. 6

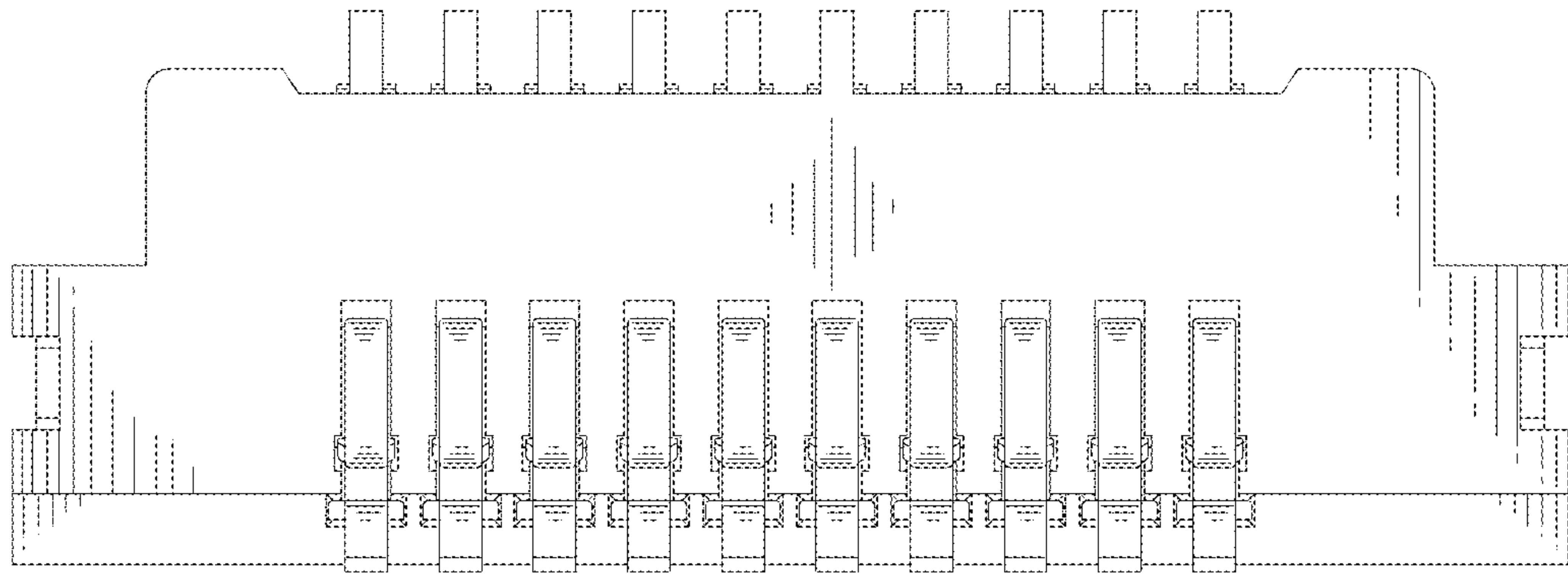


FIG. 7

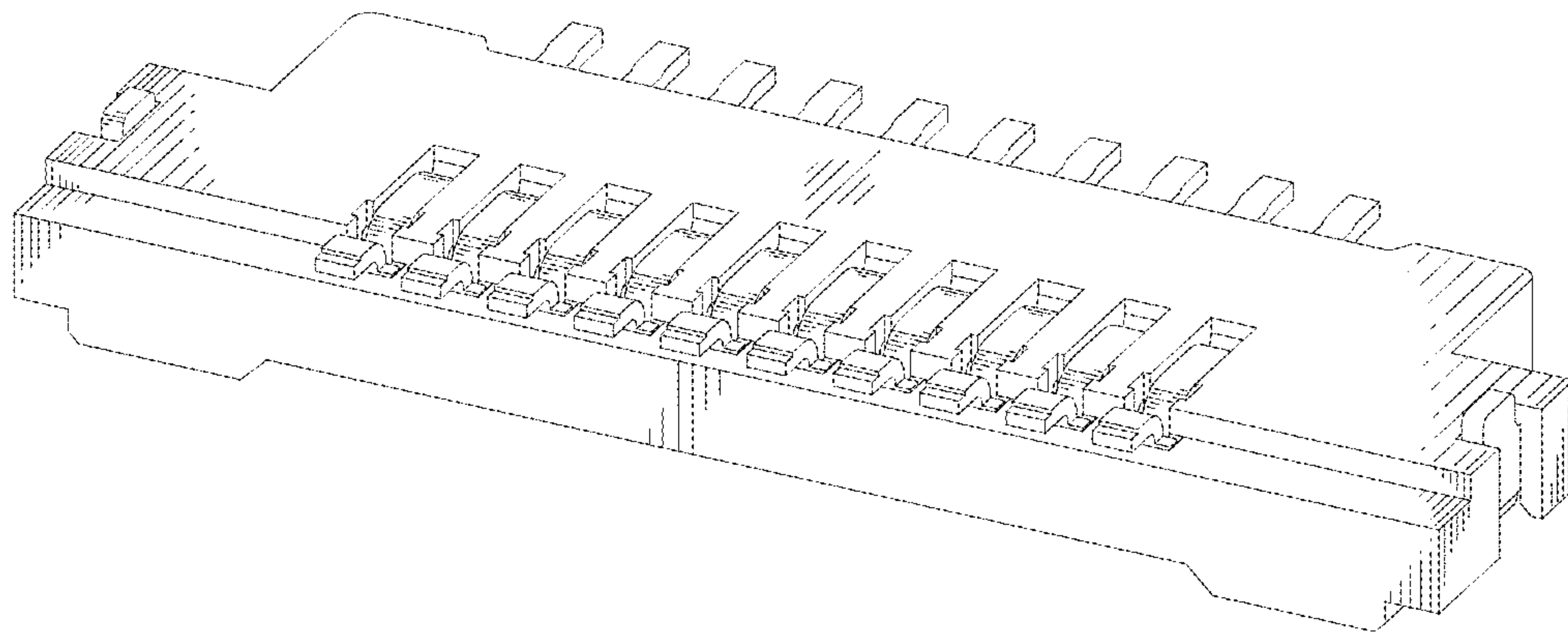


FIG. 8