



US00D683315S

(12) **United States Design Patent**
Carlucci et al.

(10) **Patent No.:** **US D683,315 S**

(45) **Date of Patent:** **** May 28, 2013**

(54) **MODULAR PLUG**

(75) Inventors: **Vito James Carlucci**, Stratford, CT (US); **Sergio Lopes Fernandes da Costa**, Danbury, CT (US)

(73) Assignee: **Conair Corporation**, Stamford, CT (US)

(**) **Term:** **14 Years**

(21) **Appl. No.:** **29/388,323**

(22) **Filed:** **Mar. 28, 2011**

(51) **LOC (9) Cl.** **13-03**

(52) **U.S. Cl.**
USPC **D13/146**

(58) **Field of Classification Search**
USPC D13/107, 109, 110, 112, 114, 130,
D13/132, 137, 137.1, 137.2, 137.3, 137.4,
D13/138.1, 139.1, 139.2, 139.4, 139.5, 139.7,
D13/139.8, 146, 147, 152, 160, 161, 164,
D13/199

See application file for complete search history.

(56) **References Cited**

U.S. PATENT DOCUMENTS

D292,281 S *	10/1987	Poliak et al.	D13/138.2
D292,397 S *	10/1987	Poliak et al.	D13/138.2
D329,423 S	9/1992	Luu		
D375,080 S *	10/1996	Sandor et al.	D13/138.2
D375,081 S *	10/1996	Sandor et al.	D13/139.1
5,613,863 A	3/1997	Klaus et al.		
D462,056 S *	8/2002	Chung	D13/137.1
D540,257 S	4/2007	Ivanova et al.		
D549,650 S *	8/2007	Russell et al.	D13/137.2
D552,036 S	10/2007	Holland		

D559,783 S	1/2008	Matzdorff et al.		
D576,552 S *	9/2008	Caine et al.	D13/137.2
D617,277 S	6/2010	Fahrendorff et al.		
D623,595 S	9/2010	Ruffner		
D633,868 S	3/2011	Cullen et al.		
D657,314 S *	4/2012	Ruffner	D13/139.1
D669,433 S *	10/2012	Lee	D13/110

* cited by examiner

Primary Examiner — Robert M Spear

Assistant Examiner — Rhea Shields

(74) *Attorney, Agent, or Firm* — Carter DeLuca, Farrell & Schmidt, LLP

(57) **CLAIM**

The ornamental design for the modular plug, as shown and described.

DESCRIPTION

FIGS. 1-2 are first and second exploded perspective views of the modular plug in accordance with the principles of the present invention;

FIGS. 3-4 are first and second exploded side plan views of the modular plug;

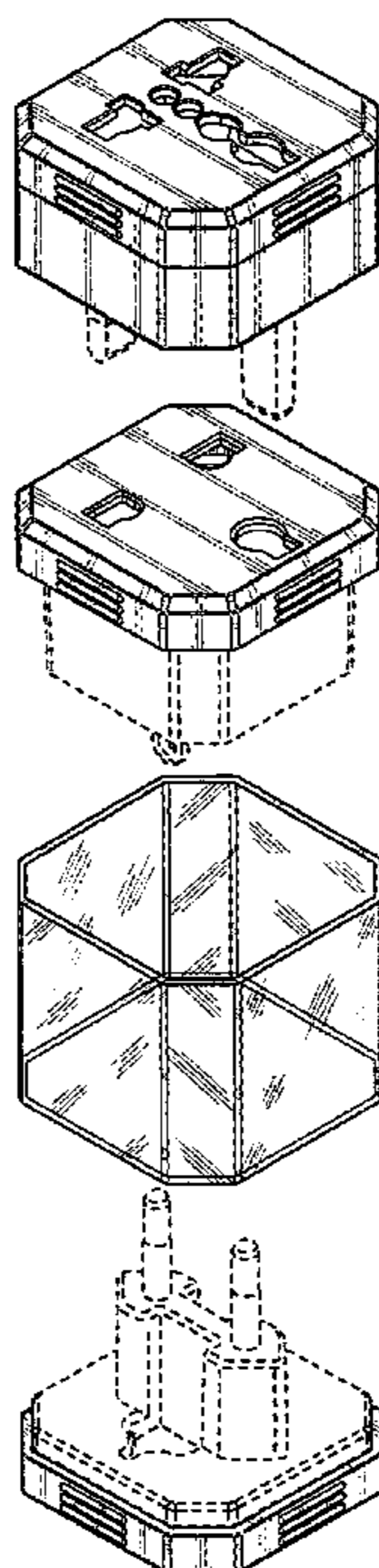
FIGS. 5-6 are first and second axial views of the modular plug;

FIGS. 7-8 are first and second perspective views of the modular plug in the assembled condition thereof; and,

FIGS. 9-10 are first and second side plan views of the modular plug in the assembled condition thereof.

The portions of the figures shown in broken lines are for illustrative purposes only and form no part of the claimed design.

1 Claim, 7 Drawing Sheets



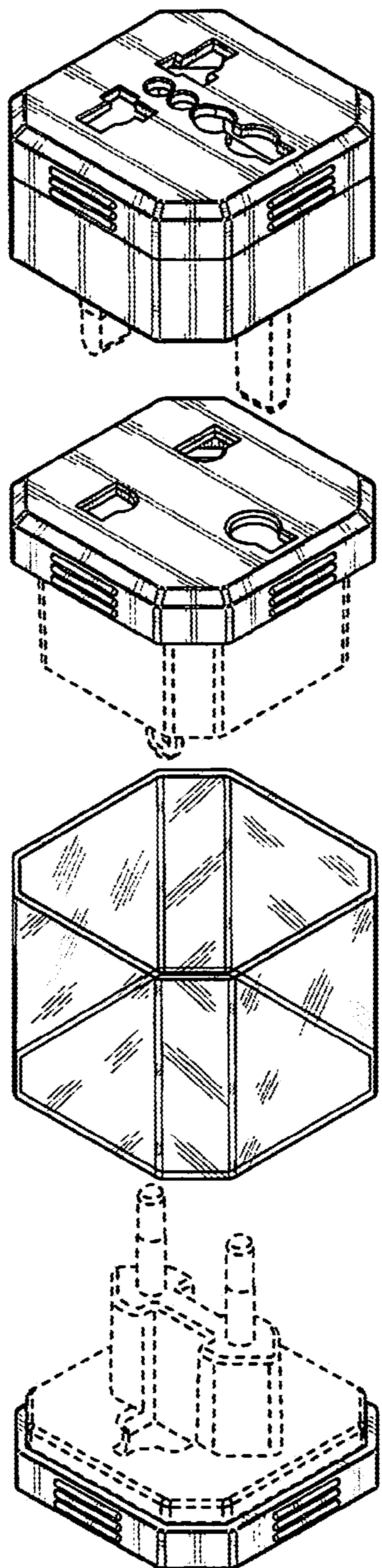


FIG. 1

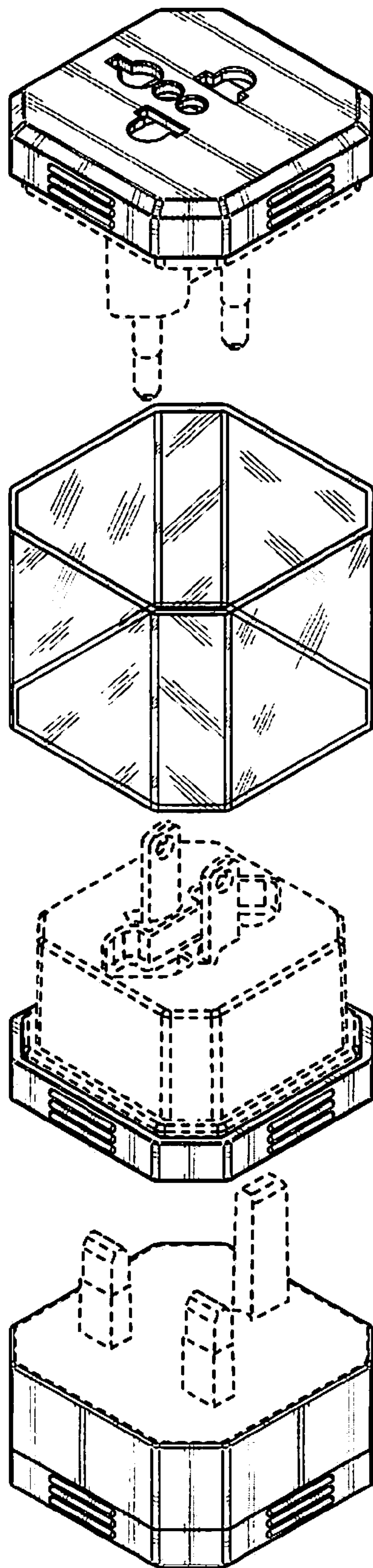


FIG. 2

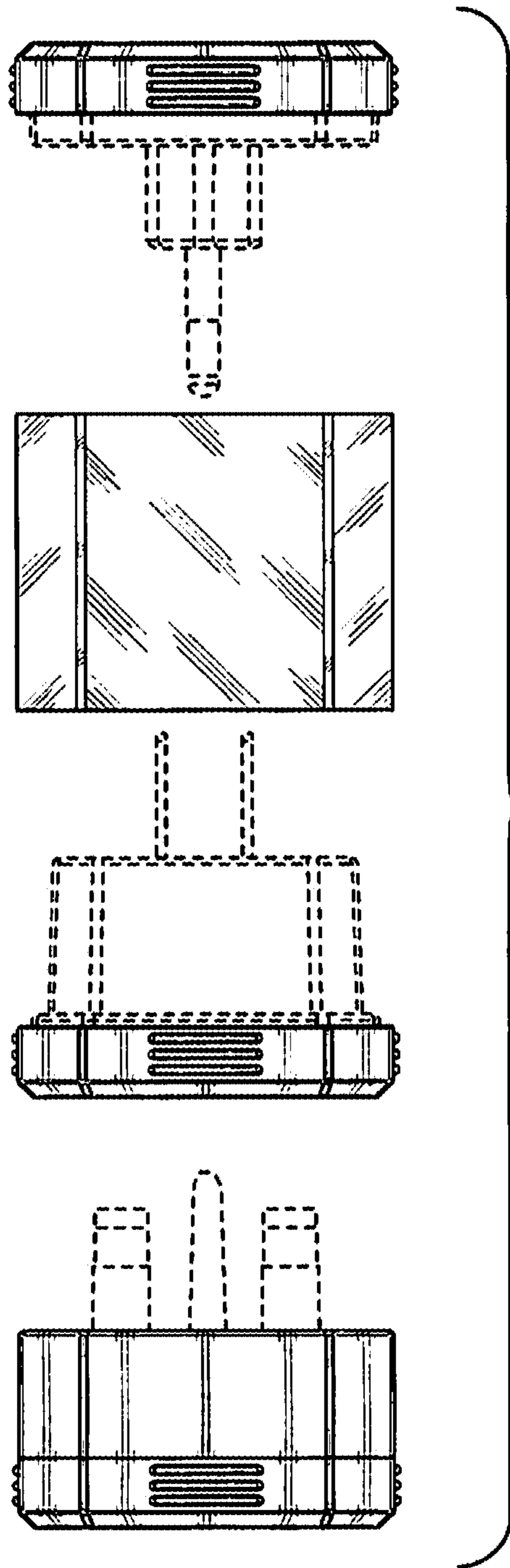


FIG. 3

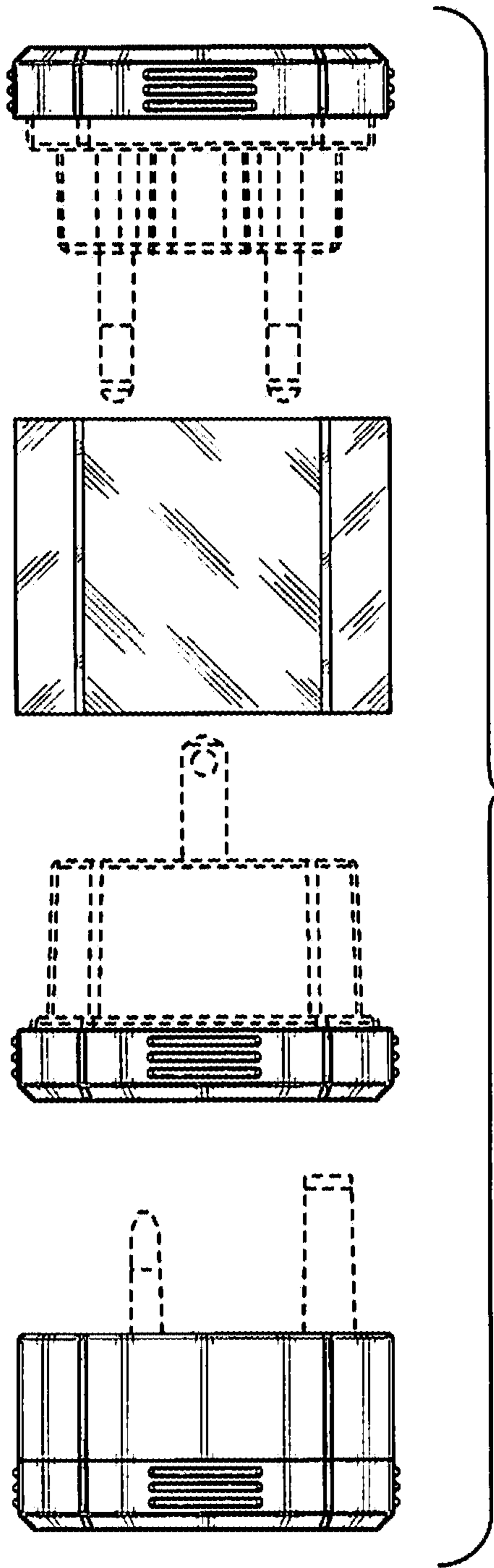


FIG. 4

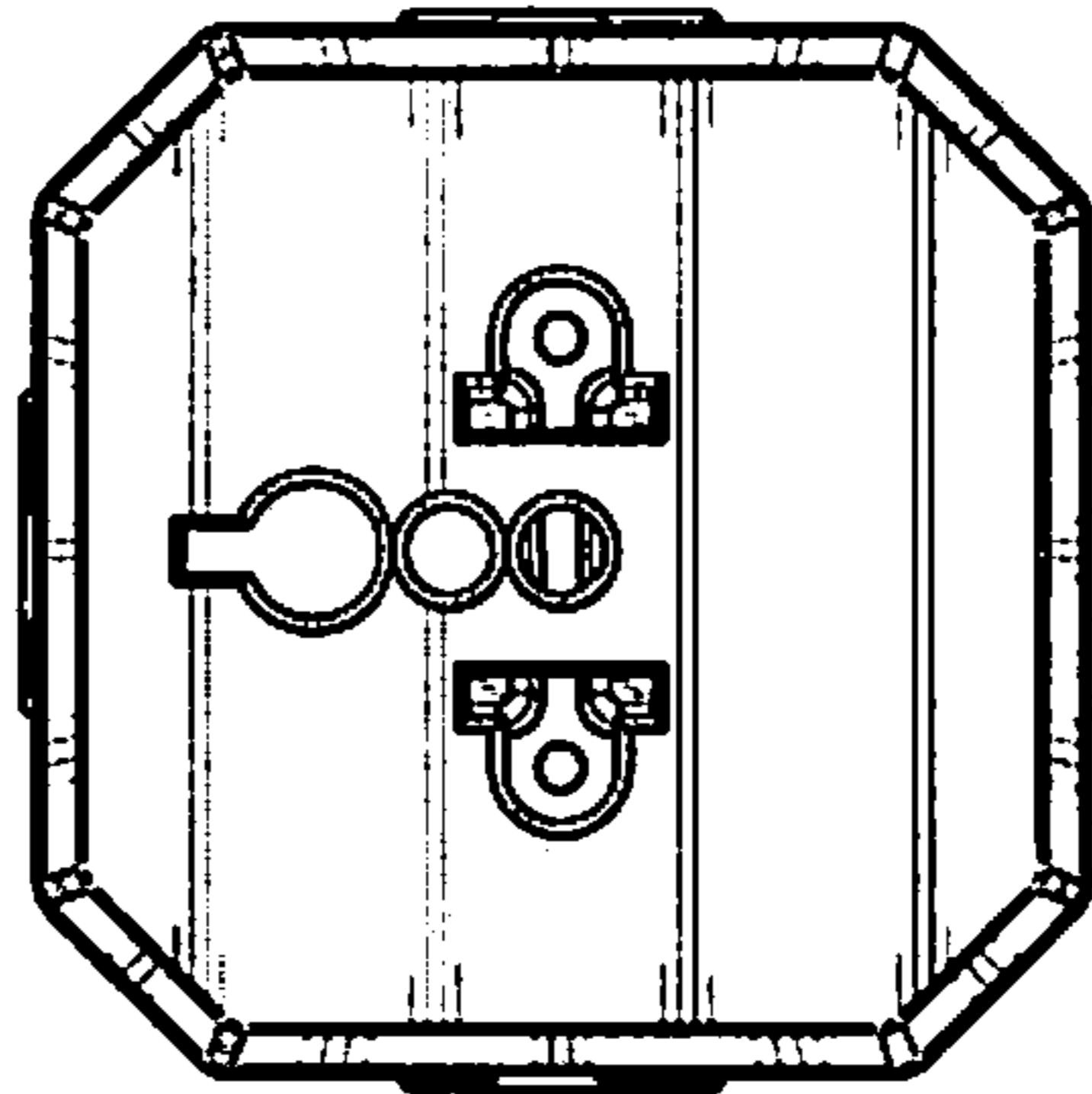


FIG. 5

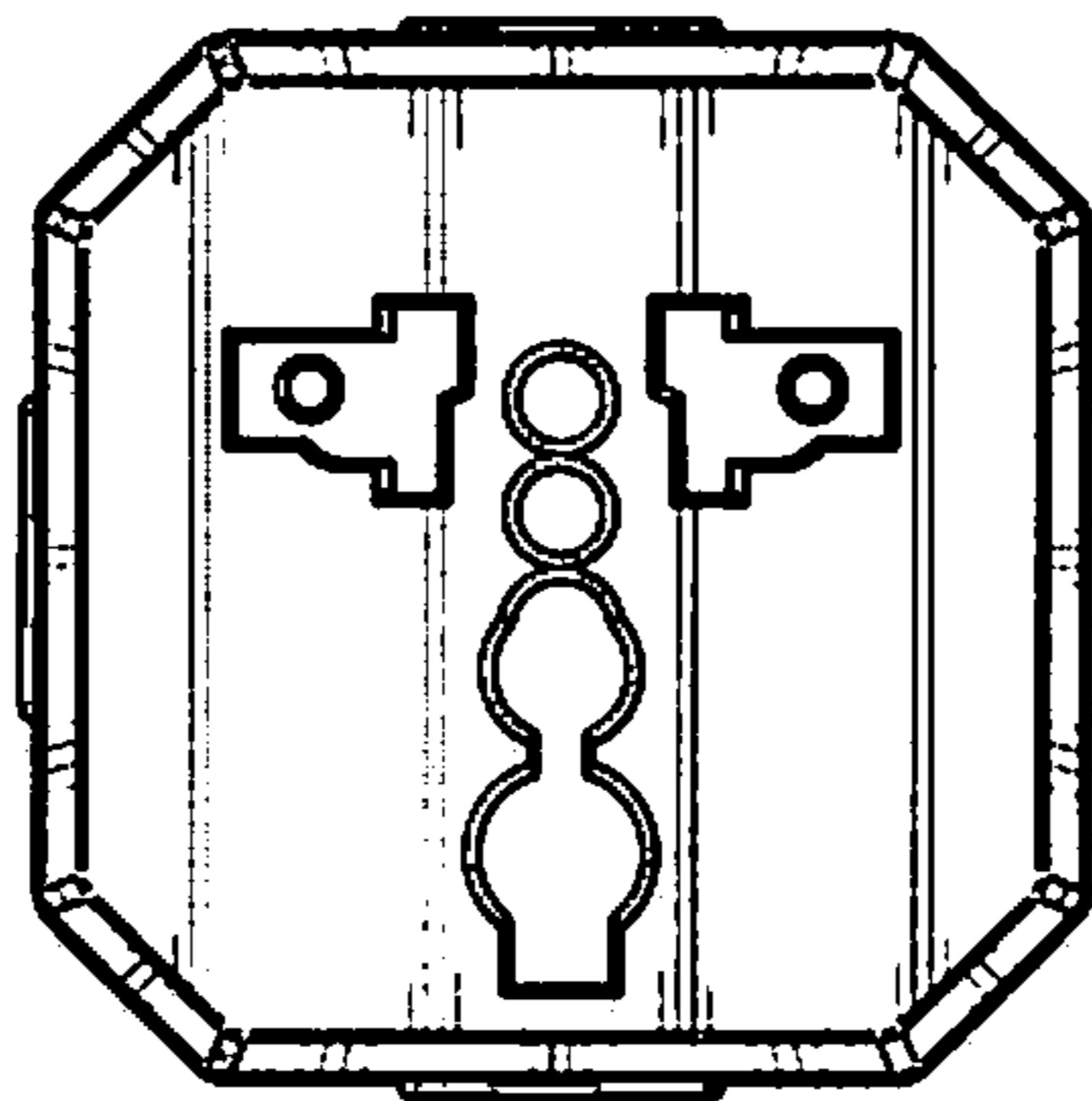


FIG. 6

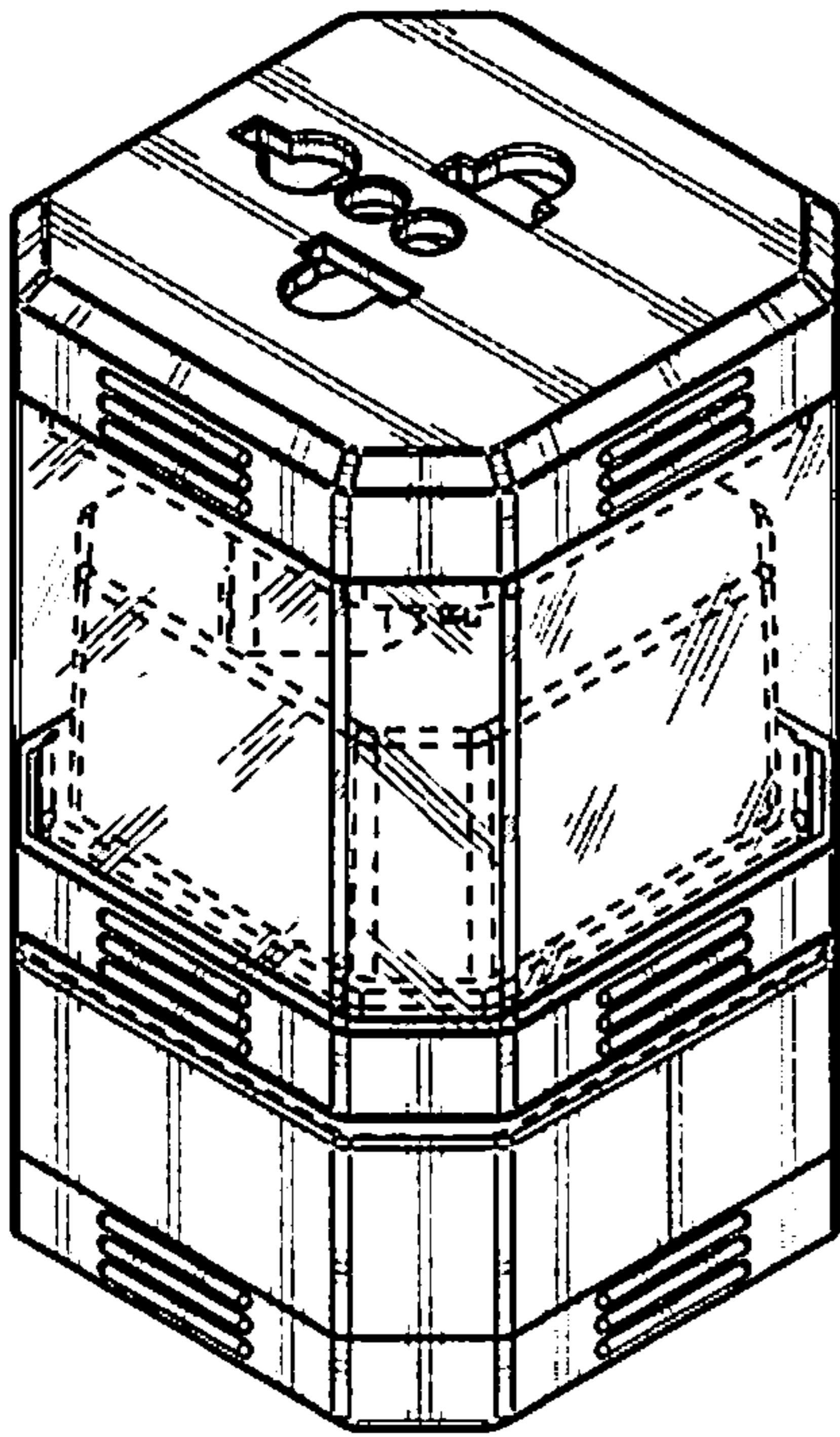


FIG. 7

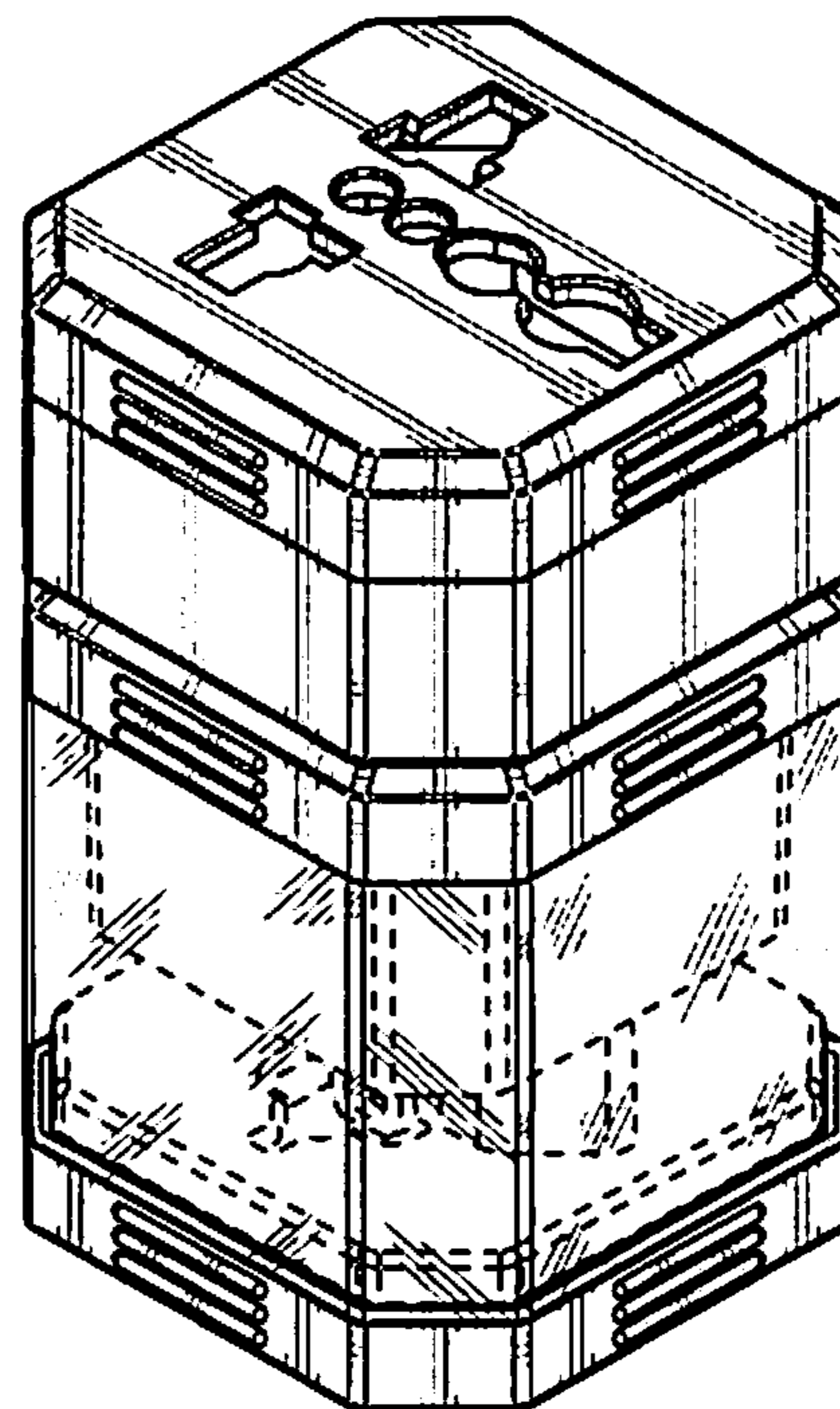


FIG. 8

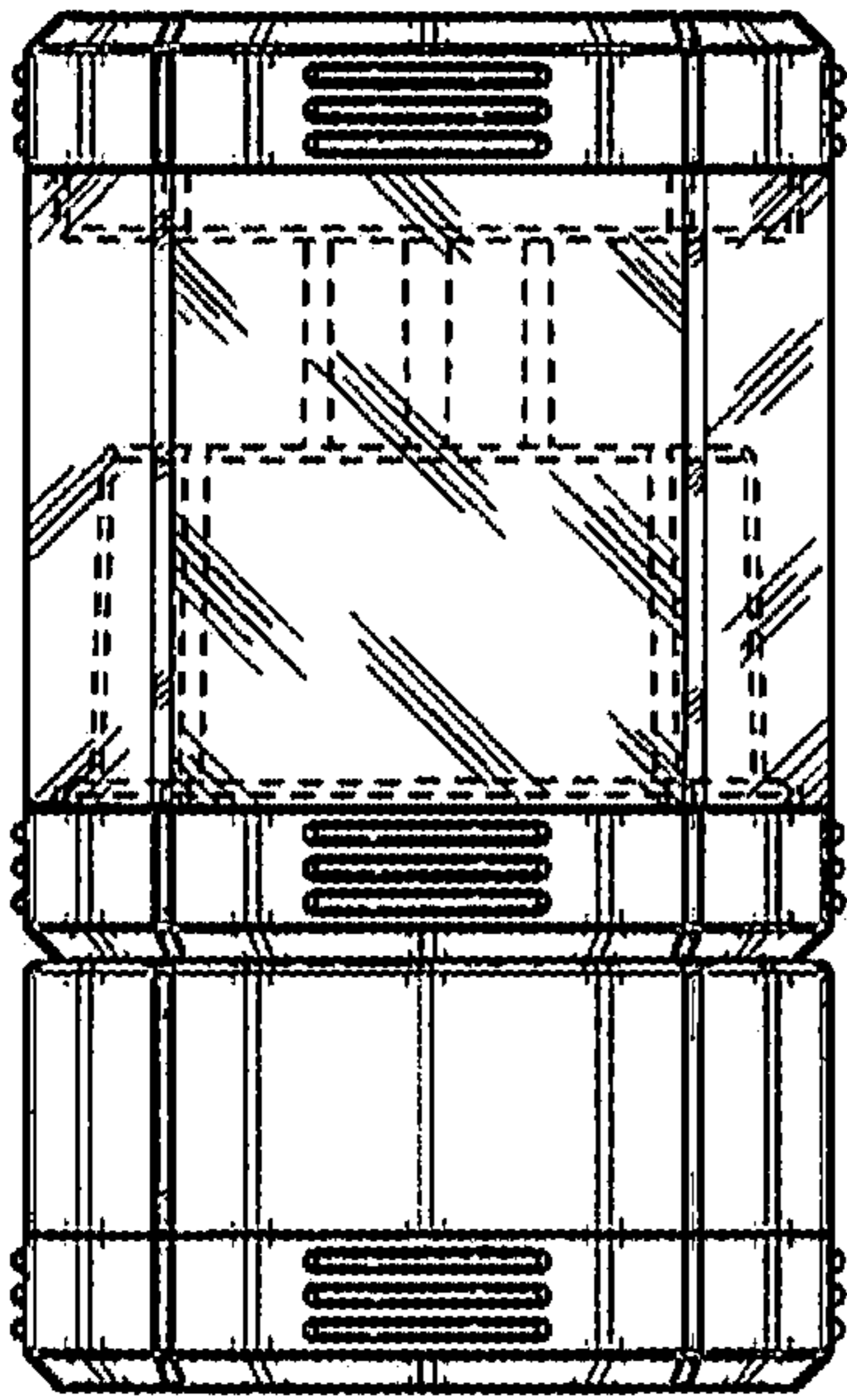


FIG. 9

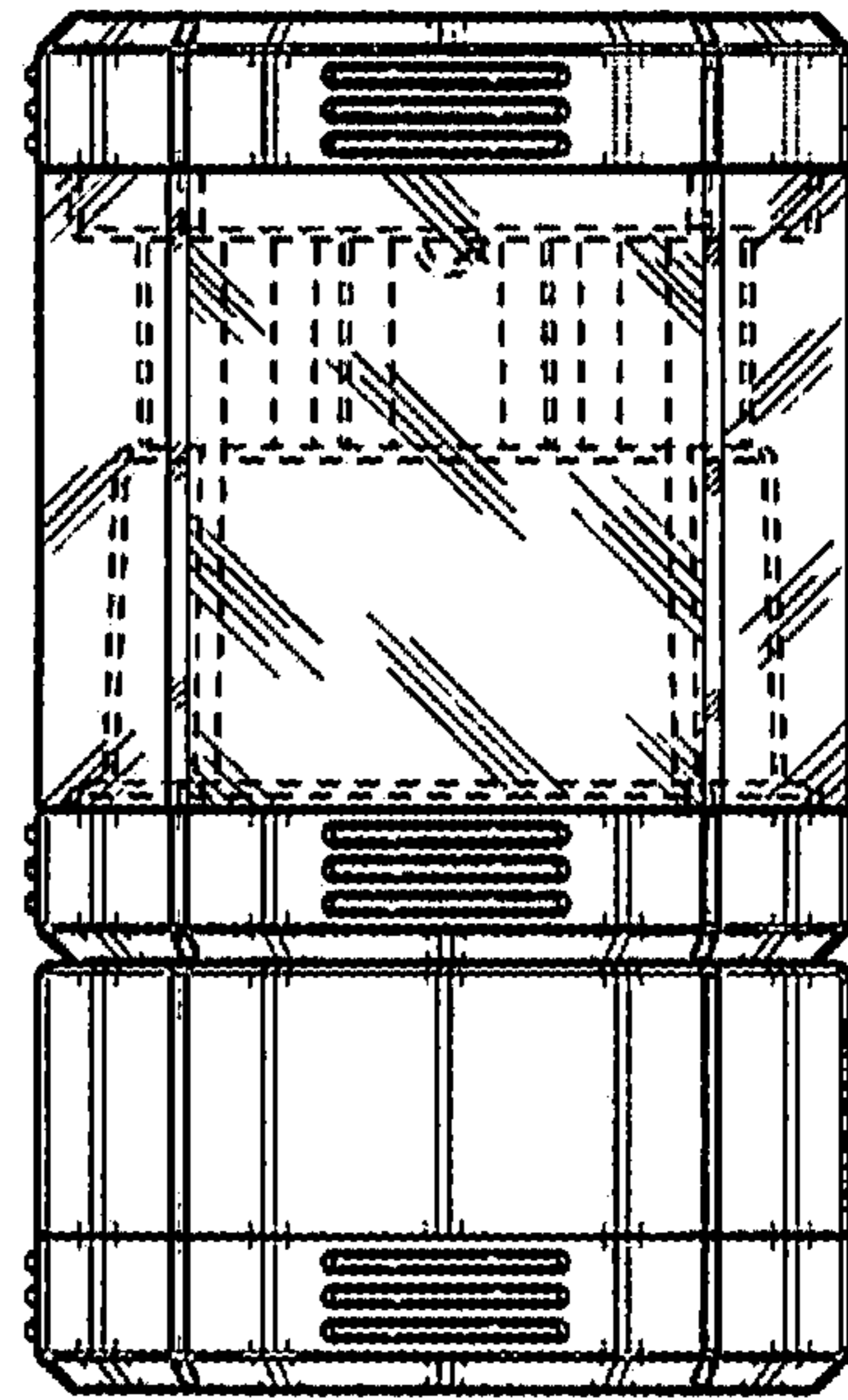


FIG. 10