



US00D683314S

(12) **United States Design Patent**
Andre et al.

(10) **Patent No.:** **US D683,314 S**

(45) **Date of Patent:** **** *May 28, 2013**

(54) **POWER MODULE**

(75) Inventors: **Bartley K. Andre**, Menlo Park, CA (US); **Daniel J. Coster**, San Francisco, CA (US); **Daniele De Iulius**, San Francisco, CA (US); **Evans Hankey**, San Francisco, CA (US); **Richard P. Howarth**, San Francisco, CA (US); **Jonathan P. Ive**, San Francisco, CA (US); **Duncan Robert Kerr**, San Francisco, CA (US); **Shin Nishibori**, Kailua, HI (US); **Matthew Dean Rohrbach**, San Francisco, CA (US); **Peter Russell-Clarke**, San Francisco, CA (US); **Douglas B. Satzger**, Menlo Park, CA (US); **Christopher J. Stringer**, Woodside, CA (US); **Eugene Antony Whang**, San Francisco, CA (US); **Rico Zörkendörfer**, San Francisco, CA (US)

(73) Assignee: **Apple Inc.**, Cupertino, CA (US)

(*) Notice: This patent is subject to a terminal disclaimer.

(**) Term: **14 Years**

(21) Appl. No.: **29/427,839**

(22) Filed: **Jul. 23, 2012**

Related U.S. Application Data

(63) Continuation of application No. 29/410,267, filed on Jan. 6, 2012, now Pat. No. Des. 664,093, which is a continuation of application No. 29/367,919, filed on Aug. 16, 2010, now Pat. No. Des. 653,213, which is a continuation of application No. 29/354,990, filed on Feb. 1, 2010, now Pat. No. Des. 623,136, which is a continuation of application No. 29/319,237, filed on Jun. 5, 2008, now Pat. No. Des. 611,415.

(51) **LOC (9) Cl.** **13-03**

(52) **U.S. Cl.**
USPC **D13/138.1; D13/108**

(58) **Field of Classification Search**

USPC D13/138.1, 138.2, 139.1, 139.2, D13/139.3, 139.4, 139.5, 139.6, 139.7, 139.8, D13/137.1, 137.2, 137.3, 137.4, 133, 146, D13/147, 151, 152, 153, 154, 107, 108, 110, D13/162, 170; 363/15, 34, 146; 439/93, 105, 439/119, 149, 225, 521, 535, 583, 866, 919; D8/353; 174/493, 494, 53, 59, 60, 66, 67; 320/111, 114, 115; D9/432

See application file for complete search history.

(56) **References Cited**

U.S. PATENT DOCUMENTS

D138,086 S 6/1944 Ludwig
D258,429 S * 3/1981 Buckler D13/138.1

(Continued)

OTHER PUBLICATIONS

Ucables.com, USB Charger for iPhone 3G—Original, accessed at <http://ucables.com/ref/USB-CHARGER-IPHONE-3G-R734467>, retrieved Dec. 7, 2009 2 pages.

Primary Examiner — Angela J Lee

(74) *Attorney, Agent, or Firm* — Sterne, Kessler, Goldstein & Fox P.L.L.C.

(57) **CLAIM**

The ornamental design for a power module, as shown and described.

DESCRIPTION

FIG. 1 is a top perspective view of a power module showing our new design;

FIG. 2 is a bottom perspective view thereof;

FIG. 3 is a side view thereof;

FIG. 4 is another side view thereof;

FIG. 5 is another side view thereof;

FIG. 6 is another side view thereof;

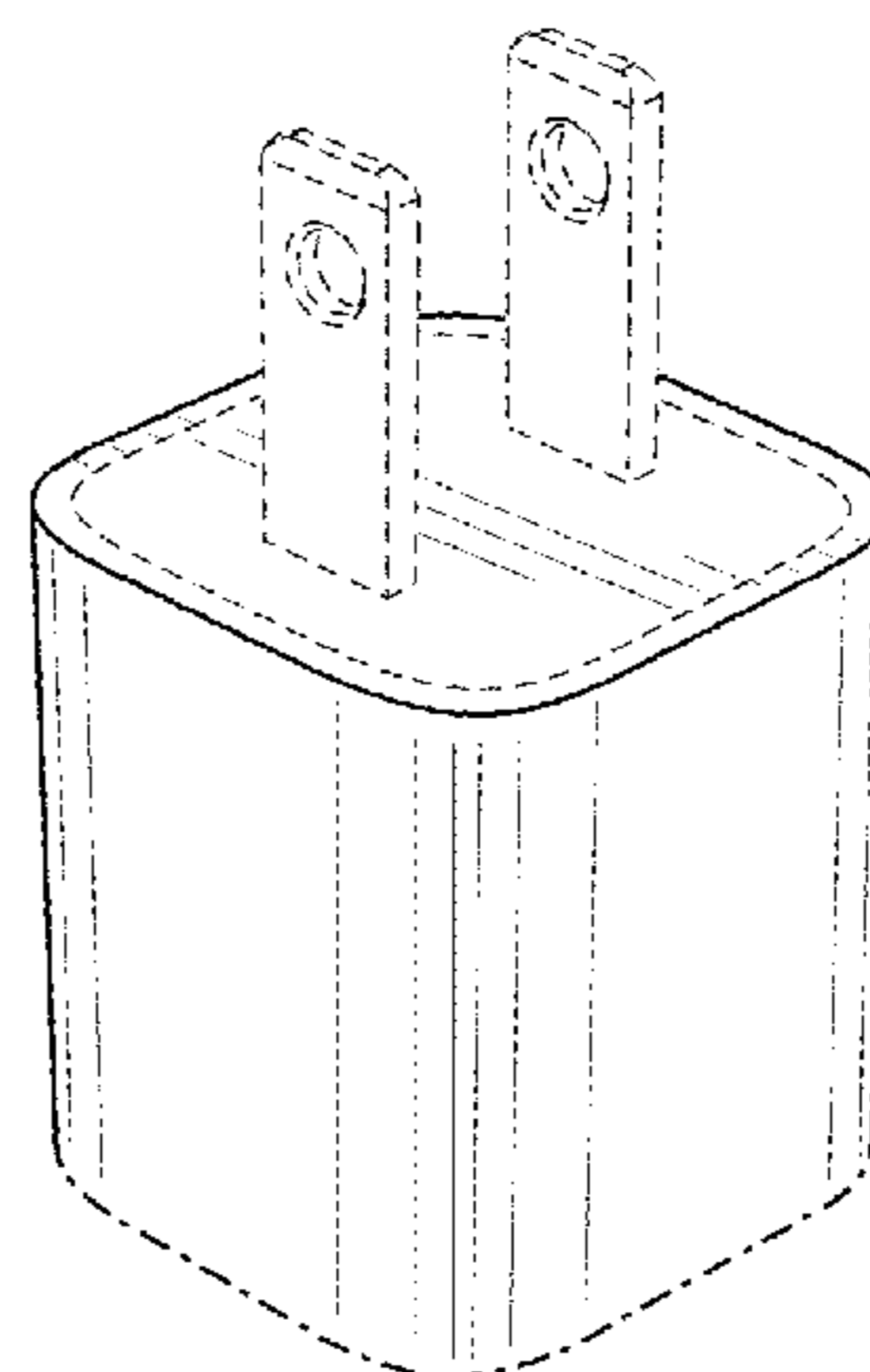
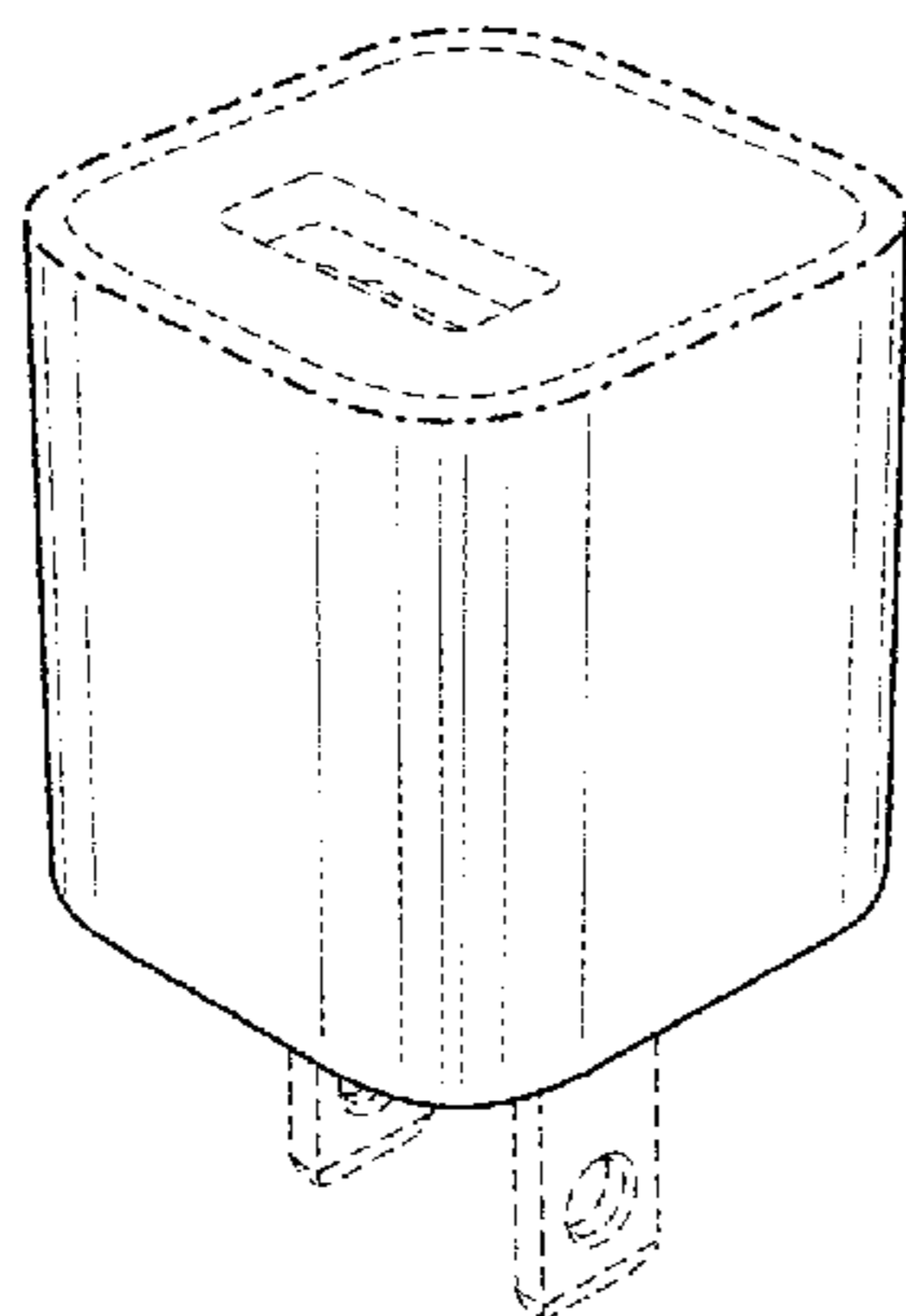
FIG. 7 is a bottom plan view thereof; and,

FIG. 8 is a top plan view thereof.

The shade lines in the Figures show contour and not surface ornamentation.

The broken lines in the Figures show portions of the power module which form no part of the claimed design. The dot-dash lines show an unclaimed boundary which forms no part of the claimed design.

1 Claim, 2 Drawing Sheets



US D683,314 S

Page 2

U.S. PATENT DOCUMENTS

D375,080	S	*	10/1996	Sandor et al.	D13/138.2
5,761,021	A	*	6/1998	Yu	361/111
D405,765	S		2/1999	Yu	
D436,078	S		1/2001	Korte	
D461,187	S	*	8/2002	Andre et al.	D14/356
D487,870	S		3/2004	Stewart et al.	
D503,679	S		4/2005	Andre et al.	
D542,288	S		5/2007	Andre et al.	
D558,572	S		1/2008	Andre et al.	
D572,712	S		7/2008	Ledbetter et al.	
D573,946	S	*	7/2008	Ledbetter et al.	D13/110
D576,486	S	*	9/2008	Koza	D9/432
D583,316	S		12/2008	Säde et al.	
D587,192	S	*	2/2009	McGinley et al.	D13/110
D587,193	S		2/2009	McGinley et al.	
D593,505	S		6/2009	Fimbres	
D595,223	S	*	6/2009	Yamamoto et al.	D13/108
D595,224	S		6/2009	Seil et al.	
D596,572	S		7/2009	Wu et al.	
D601,500	S	*	10/2009	Green et al.	D13/110
D601,501	S		10/2009	Kaibara et al.	
D602,430	S	*	10/2009	Green et al.	D13/110
D610,992	S		3/2010	Fahrendorff et al.	
D610,993	S		3/2010	Fahrendorff et al.	
D610,994	S		3/2010	Fahrendorff et al.	
D611,409	S	*	3/2010	Green et al.	D13/110
D611,415	S	*	3/2010	Andre et al.	D13/138.1
D613,691	S		4/2010	Fahrendorff et al.	
D615,556	S	*	5/2010	Yeo et al.	D14/496
D620,953	S	*	8/2010	Andre et al.	D14/496
D621,397	S		8/2010	Andre et al.	
D623,136	S	*	9/2010	Andre et al.	D13/138.1
D624,548	S	*	9/2010	Yamamoto	D14/433
D627,729	S	*	11/2010	Smith et al.	D13/138.1
D629,827	S	*	12/2010	Morenstein et al.	D16/221
D643,807	S	*	8/2011	Jiang	D13/103
D653,208	S		1/2012	Au	
D653,213	S	*	1/2012	Andre et al.	D13/138.1
D653,614	S		2/2012	Au	
D653,615	S		2/2012	Au	
8,113,855	B2	*	2/2012	Green et al.	439/131
D655,244	S		3/2012	Au	
D664,093	S	*	7/2012	Andre et al.	D13/138.1
2004/0185719	A1		9/2004	Wang	
2007/0229025	A1		10/2007	Tsai et al.	
2009/0289596	A1		11/2009	McGinley et al.	

* cited by examiner

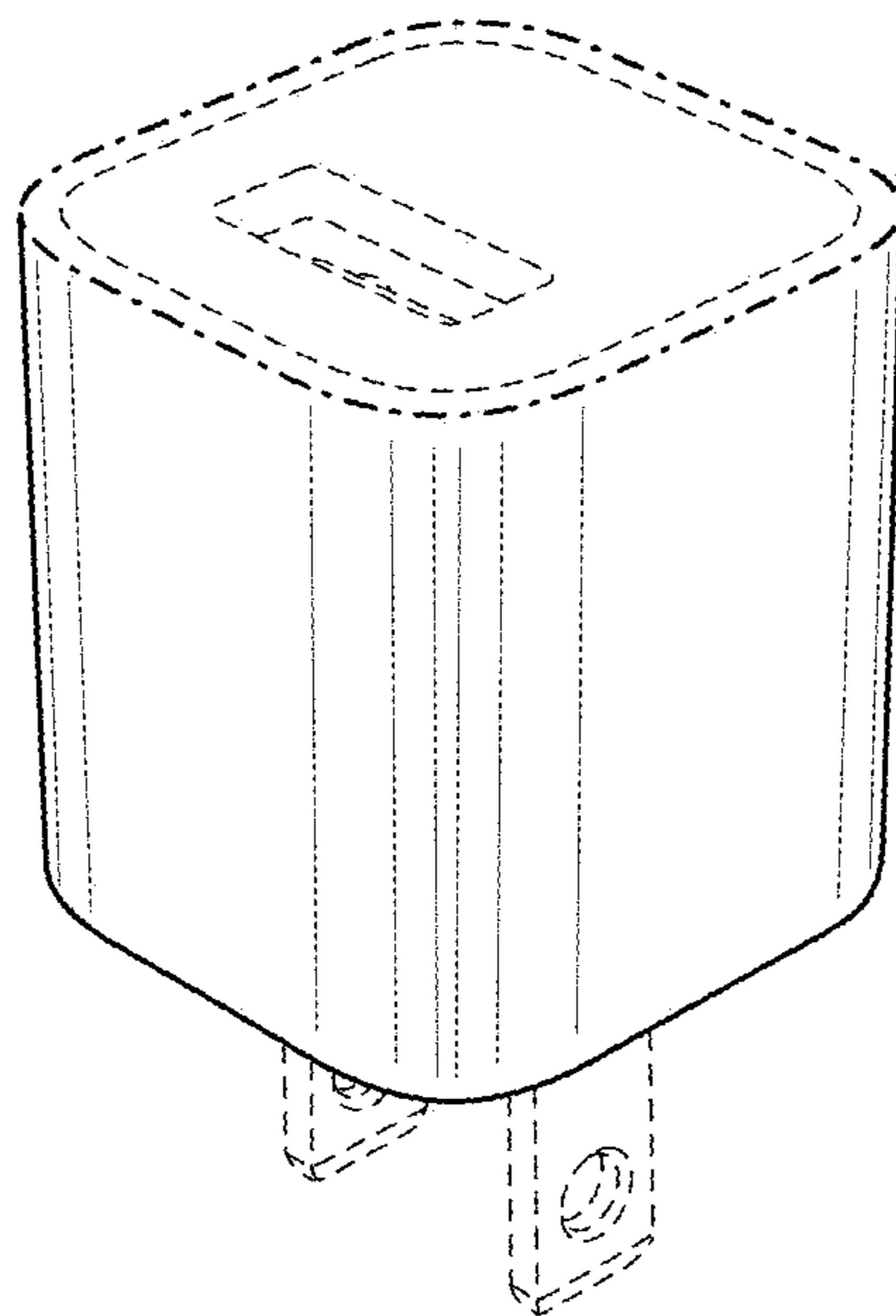


FIG. 1

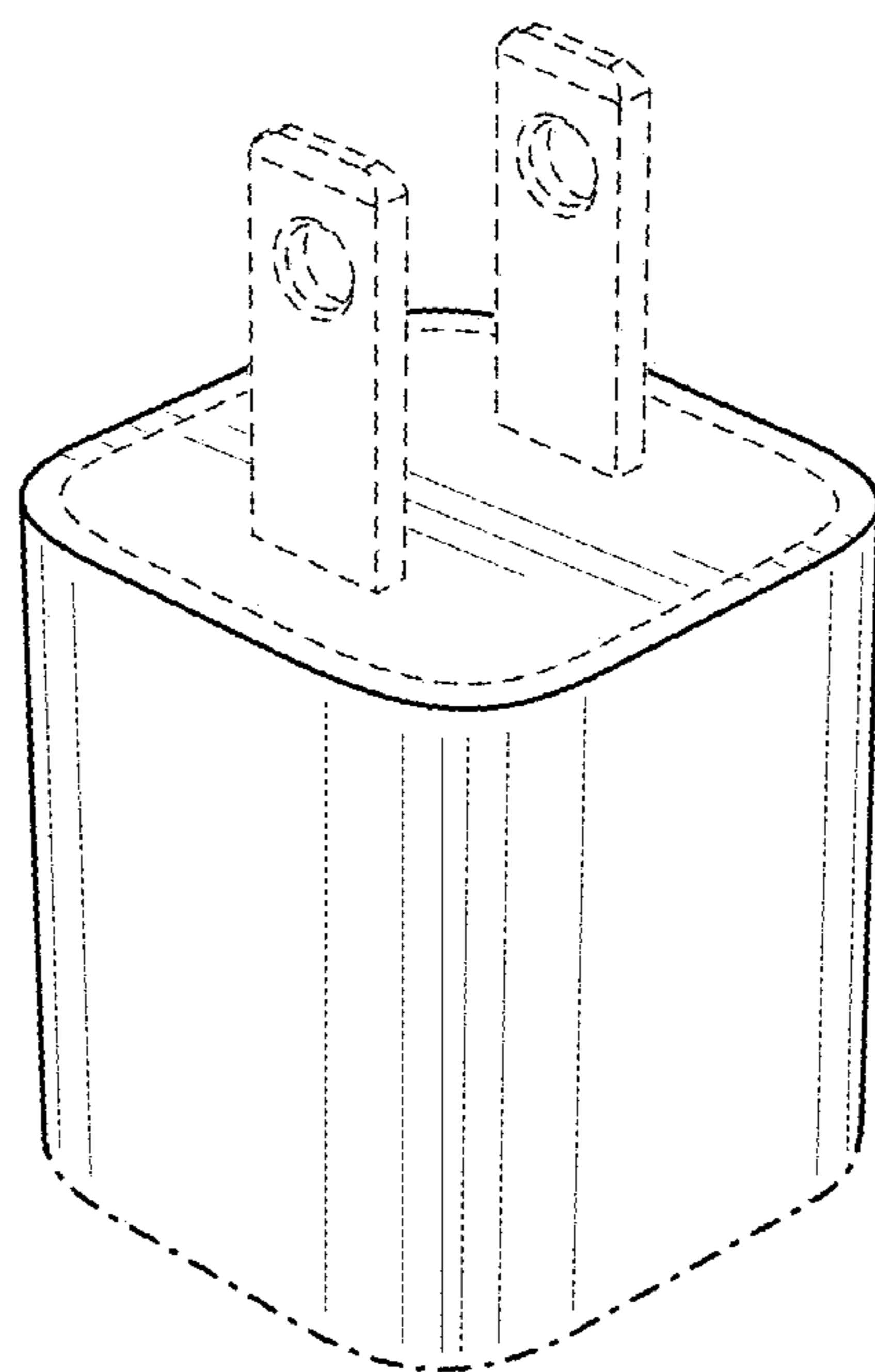


FIG. 2

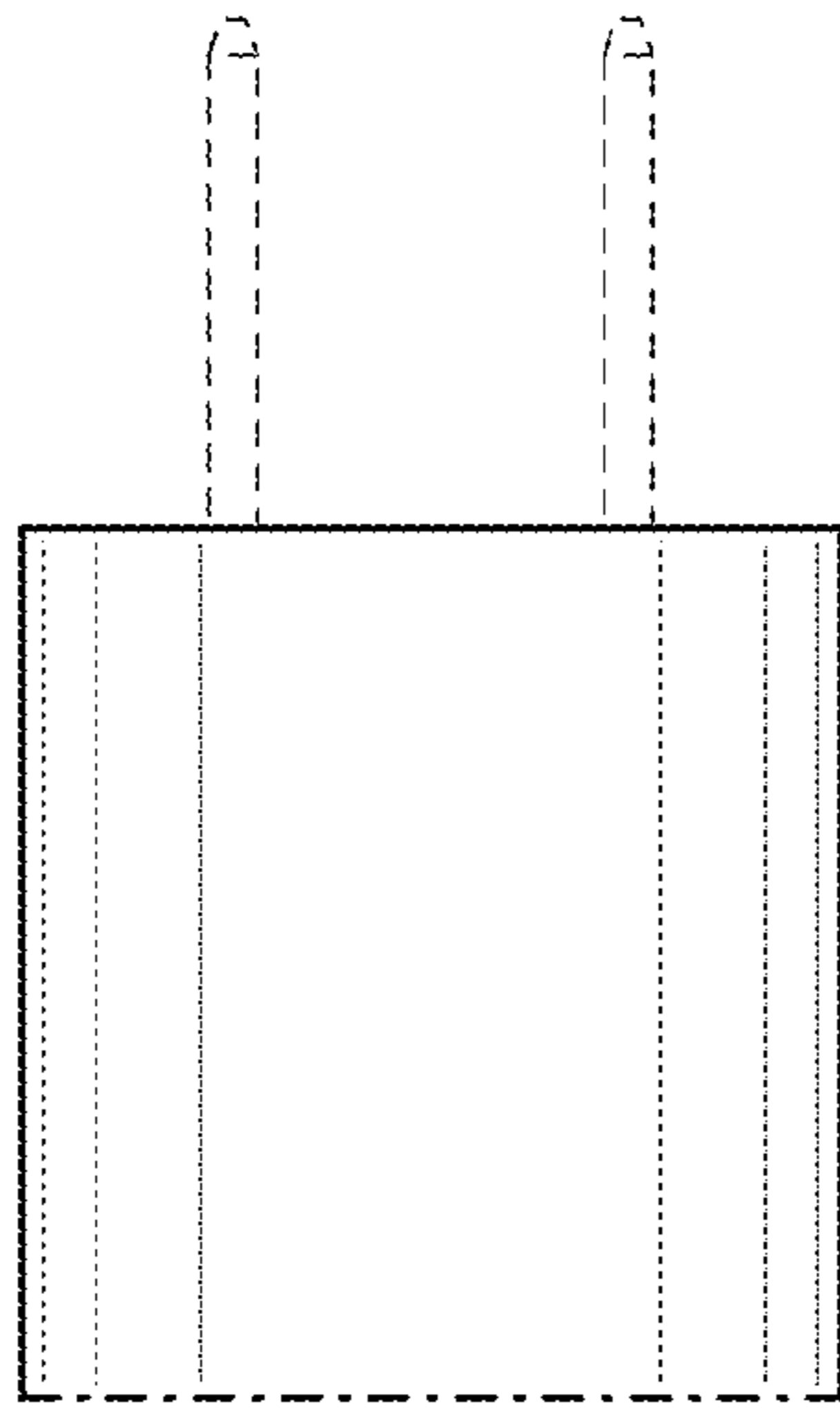


FIG. 3

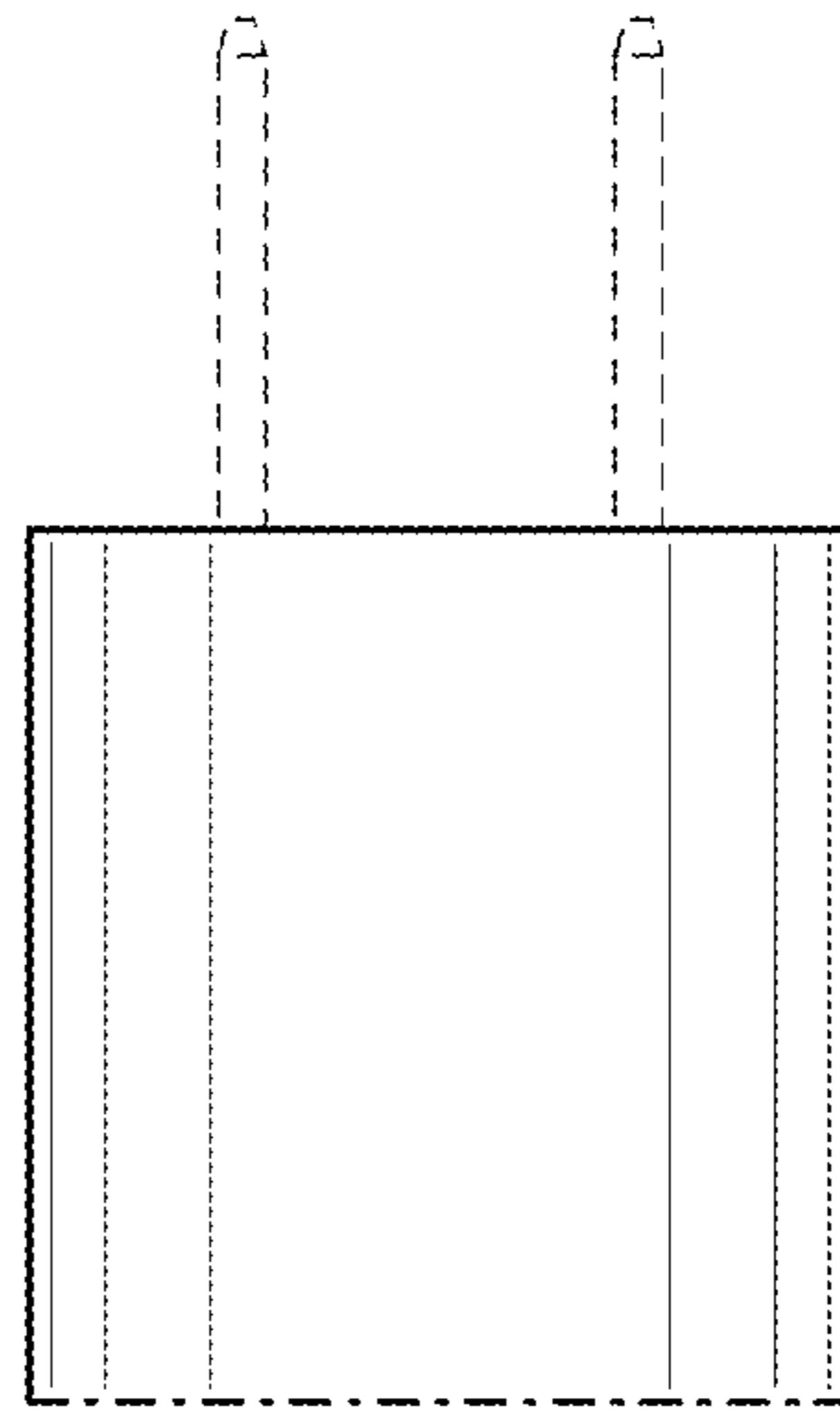


FIG. 4

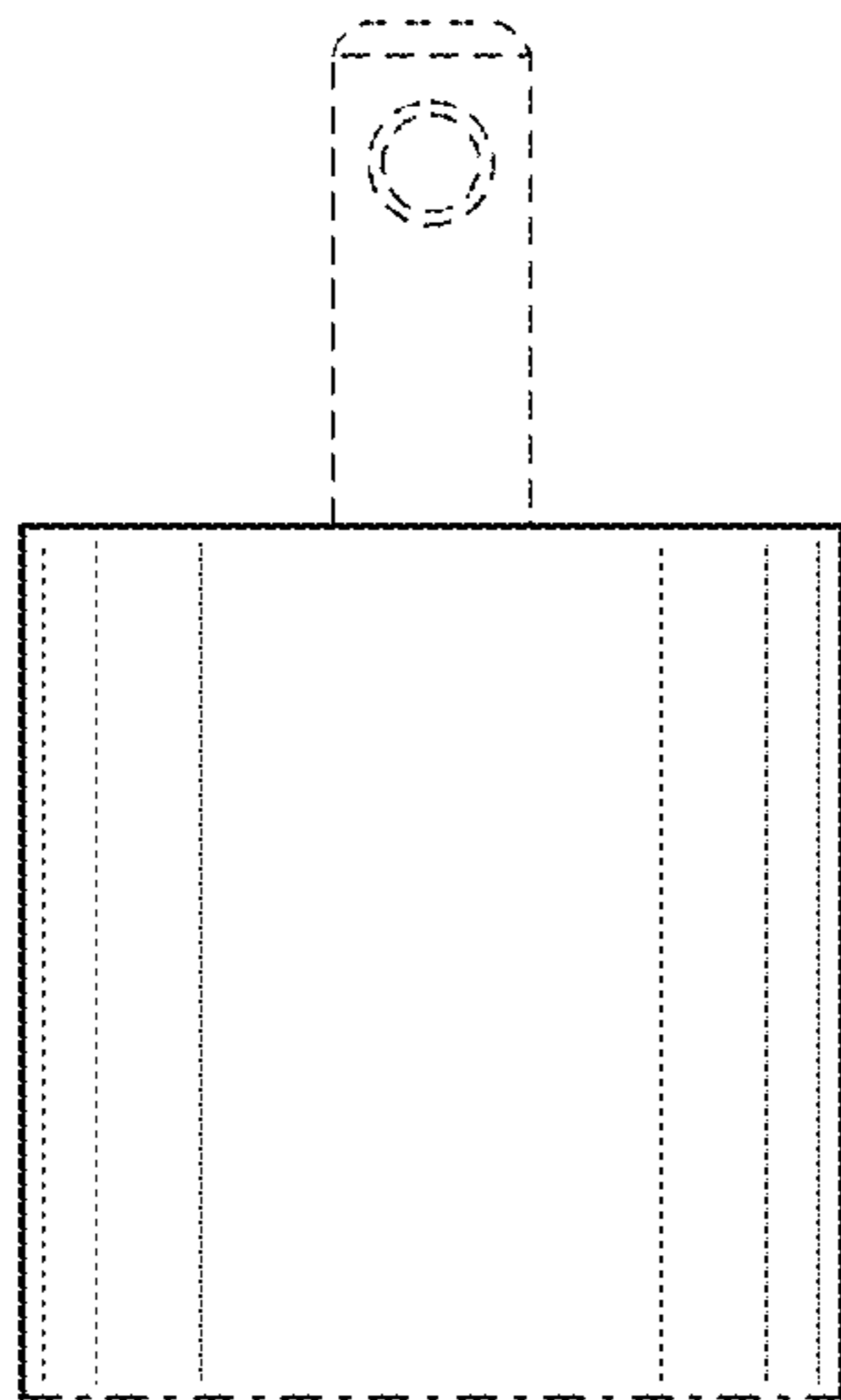


FIG. 5

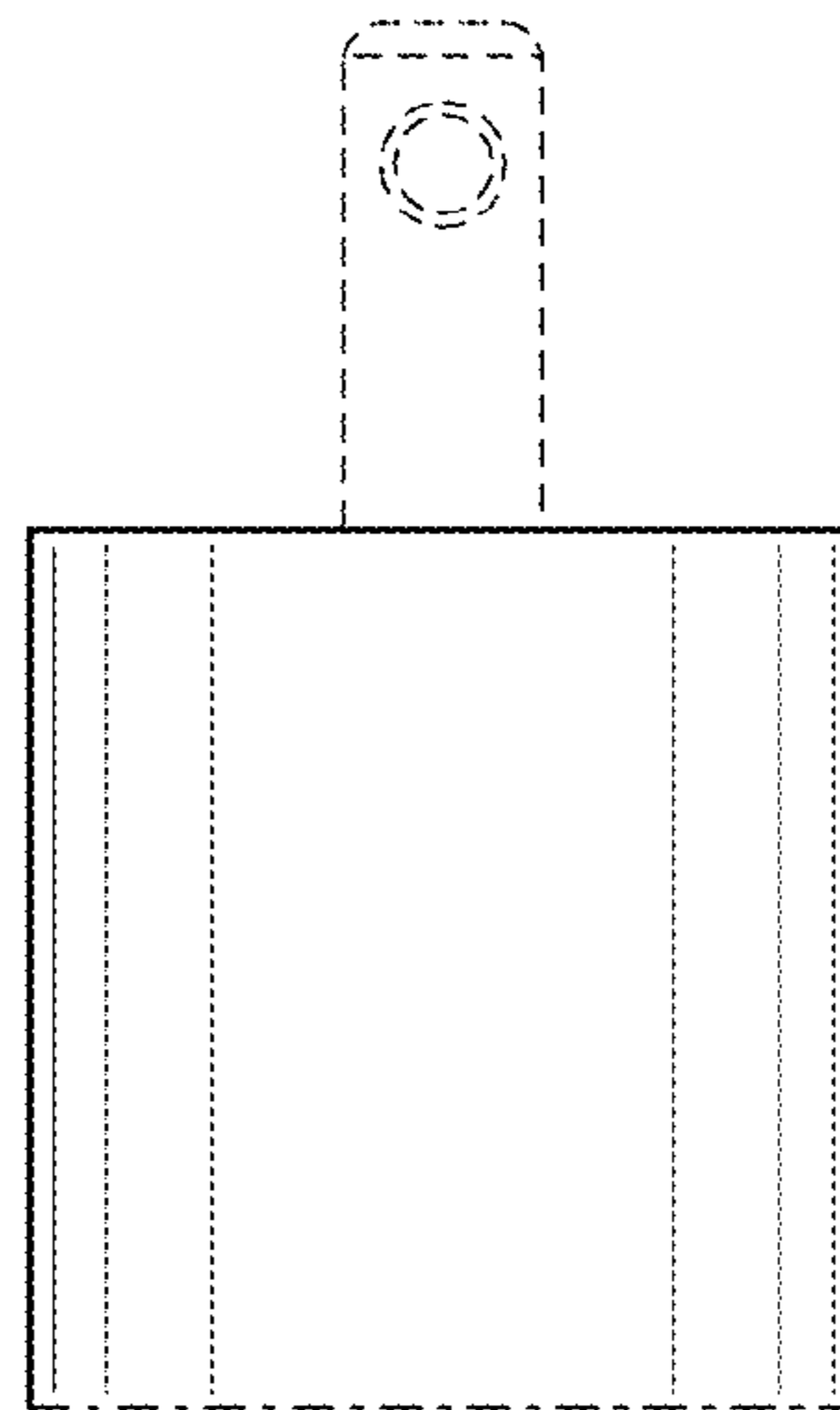


FIG. 6

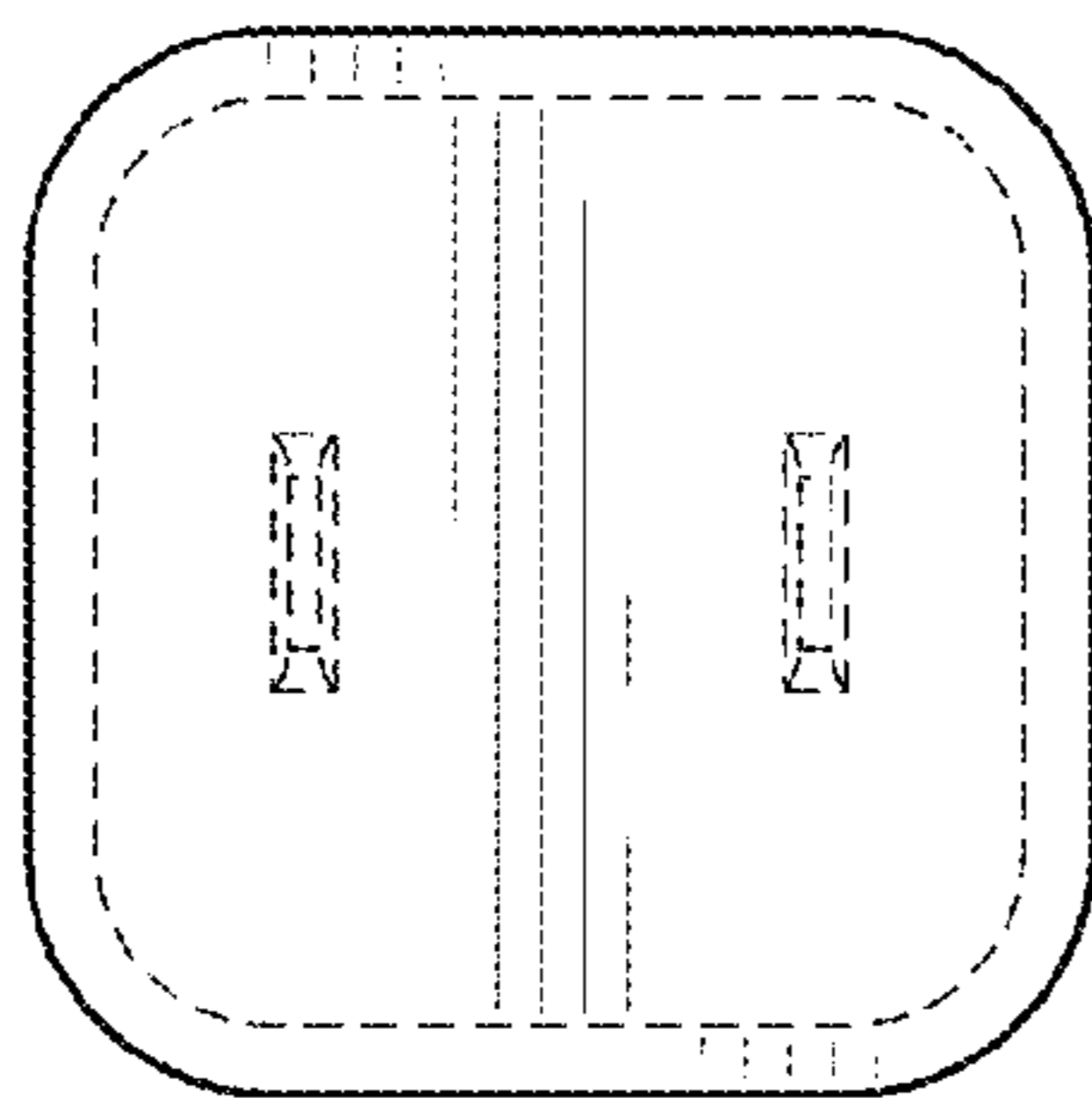


FIG. 7

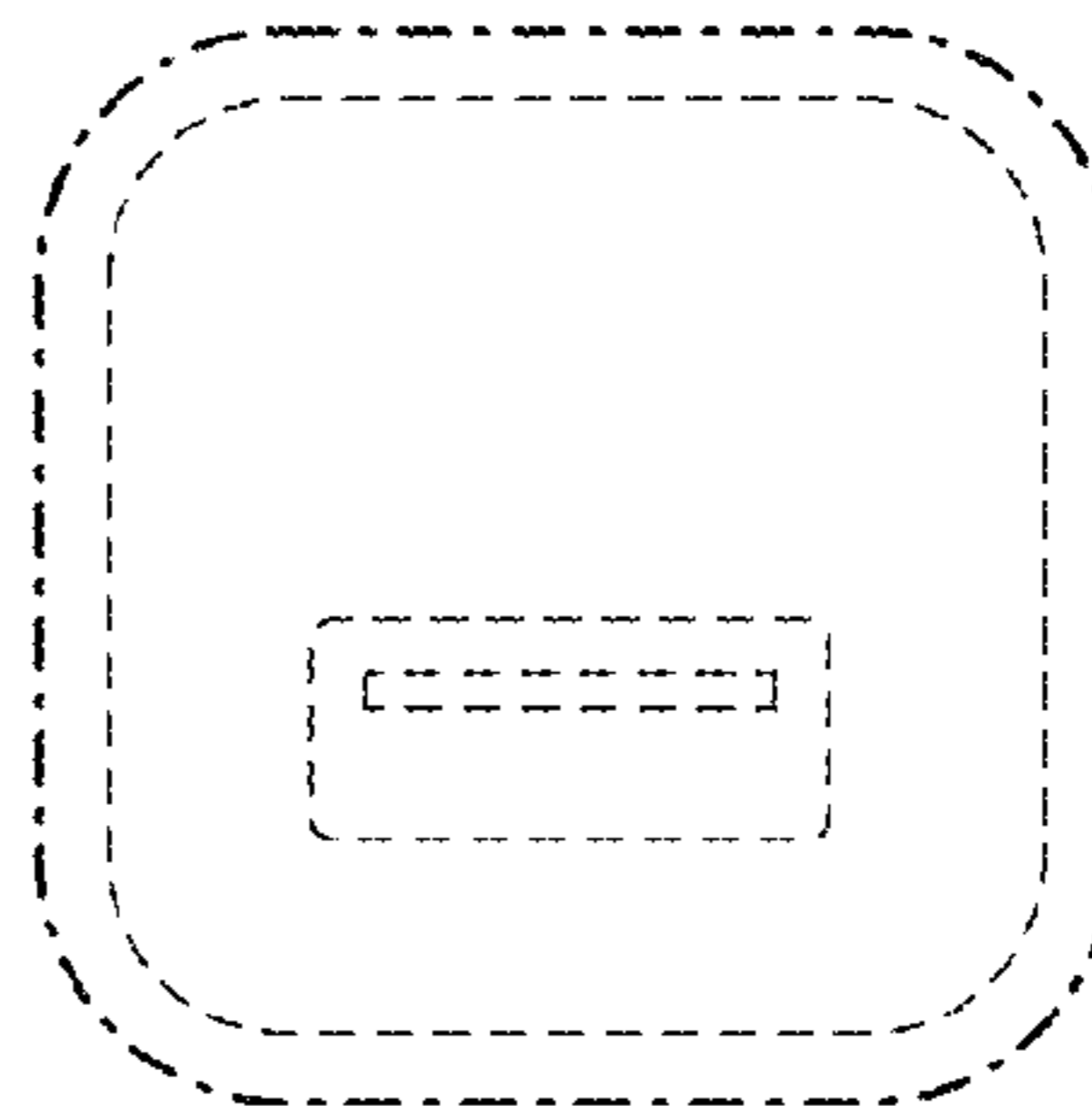


FIG. 8