



US00D683311S

(12) **United States Design Patent**
Siminoff et al.

(10) **Patent No.:** **US D683,311 S**

(45) **Date of Patent:** **** May 28, 2013**

(54) **CHARGING UNIT FOR MOBILE DEVICES**

(71) Applicant: **Edison Junior, LLC**, Pacific Palisades, CA (US)

(72) Inventors: **James Siminoff**, Pacific Palisades, CA (US); **John Modestine**, Lansdale, PA (US)

(73) Assignee: **Edison Junior, LLC**, Pacific Palisades, CA (US)

(**) Term: **14 Years**

(21) Appl. No.: **29/435,237**

(22) Filed: **Oct. 22, 2012**

(51) **LOC (9) Cl.** **13-02**

(52) **U.S. Cl.**
USPC **D13/108**

(58) **Field of Classification Search** D13/107-110,
D13/118-119, 184, 199; D14/251, 253, 432,
D14/434; 320/107-115

See application file for complete search history.

(56) **References Cited**

U.S. PATENT DOCUMENTS

D456,026 S 4/2002 Goto
D516,025 S * 2/2006 Quinn D13/108

D525,193 S 7/2006 Vu
D542,279 S 5/2007 Chan
D546,823 S * 7/2007 Dayan D14/253
D563,314 S * 3/2008 Kingston et al. D13/108
D602,430 S 10/2009 Green
D602,615 S 10/2009 Liu
D658,580 S * 5/2012 Gebski D13/108

OTHER PUBLICATIONS

Notice of Allowance mailed on Jan. 2, 2013 in copending Design U.S. Appl. No. 29/435,226.

* cited by examiner

Primary Examiner — Rosemary K Tarca

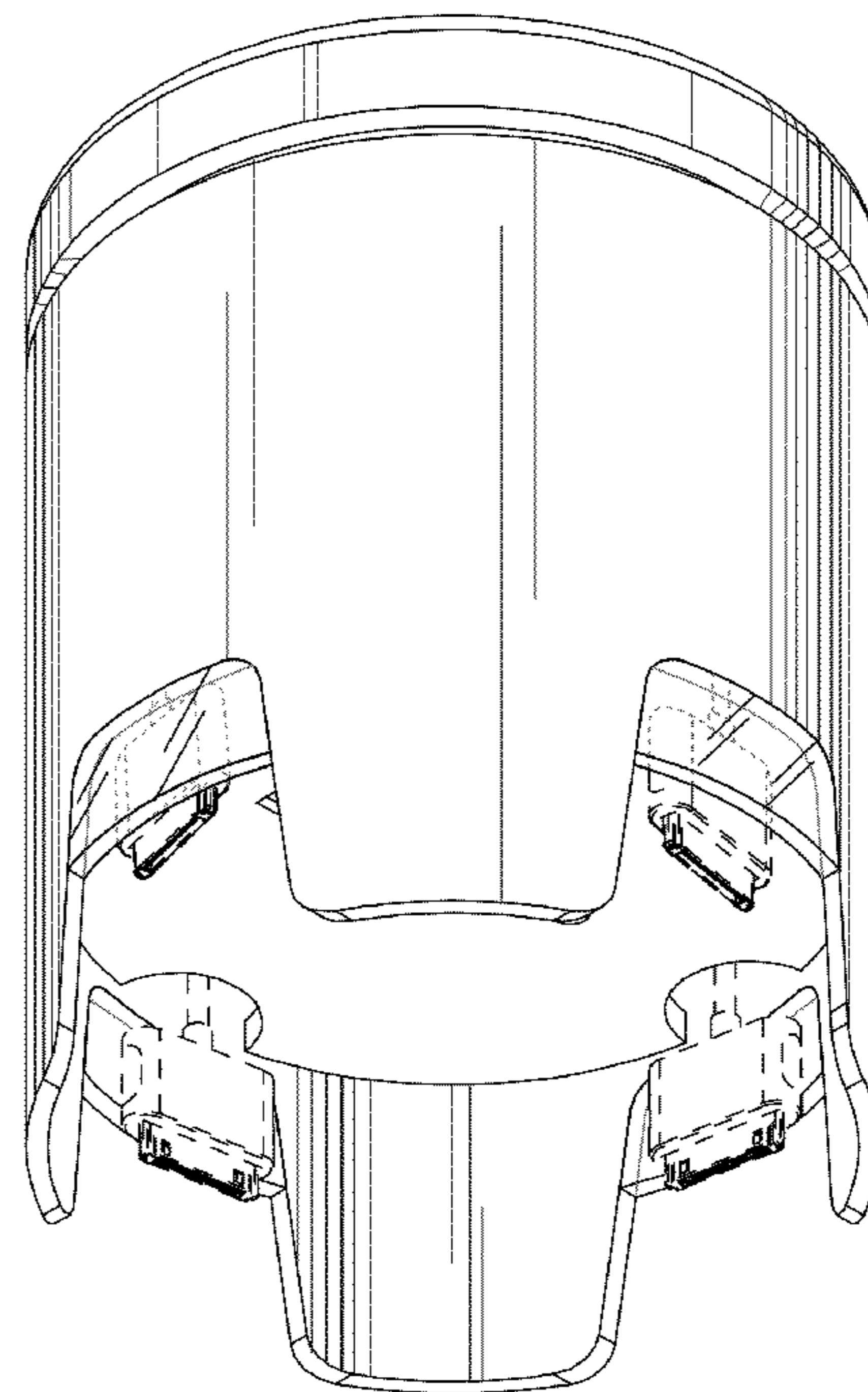
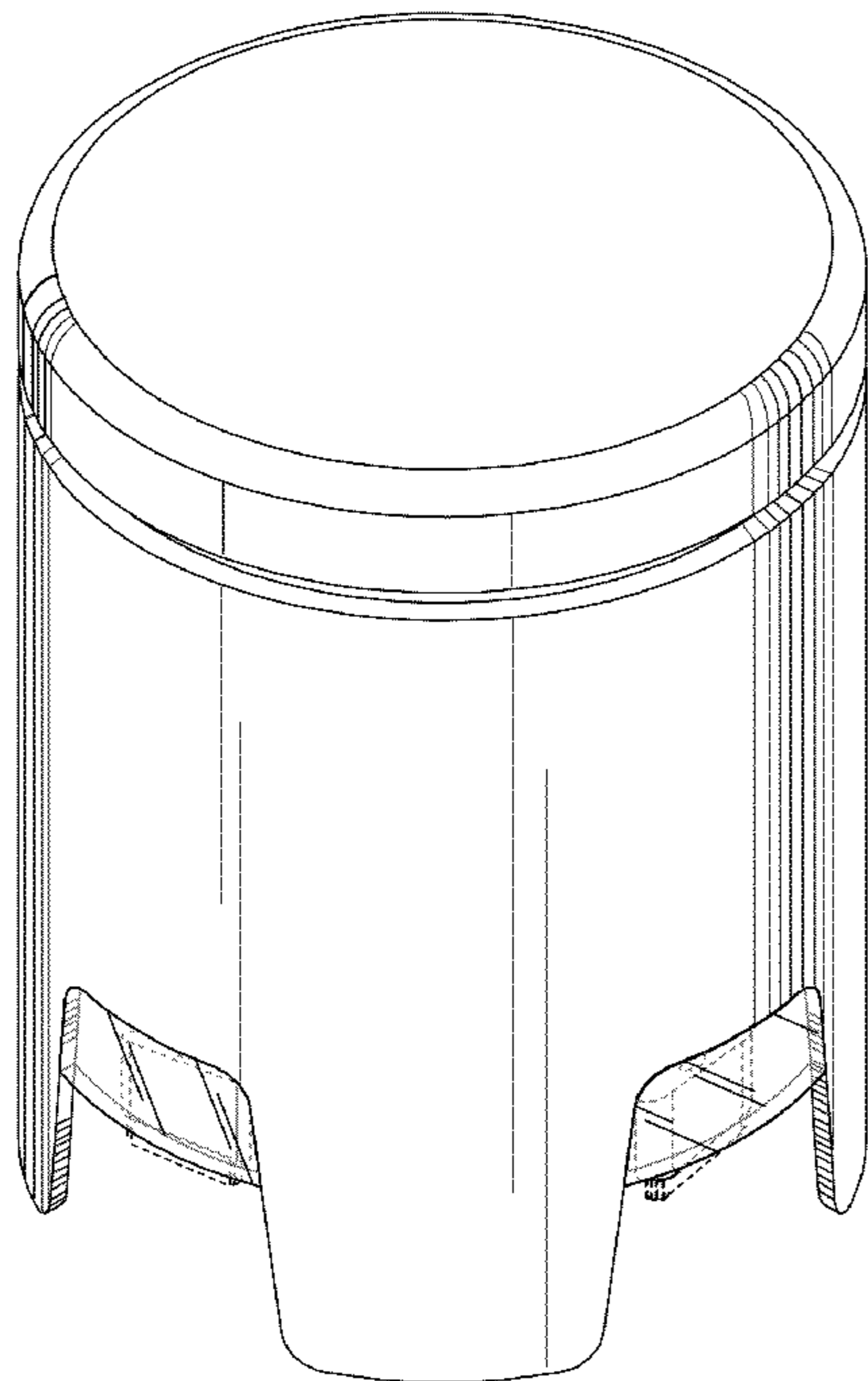
(57) **CLAIM**

We claim the ornamental design for an charging unit for mobile devices, substantially shown as described.

DESCRIPTION

FIG. 1. is a front side view of an charging unit for mobile devices in accordance with the present design;
FIG. 2. is top view thereof;
FIG. 3. is a bottom view thereof;
FIG. 4. is a top perspective view thereof; and,
FIG. 5. is a bottom perspective view thereof.
The broken lines shown in FIGS. 1, 3, 4 and 5 are included for the purpose of illustrating an environment for an embodiment of my new design and form no part of the claimed design.

1 Claim, 5 Drawing Sheets



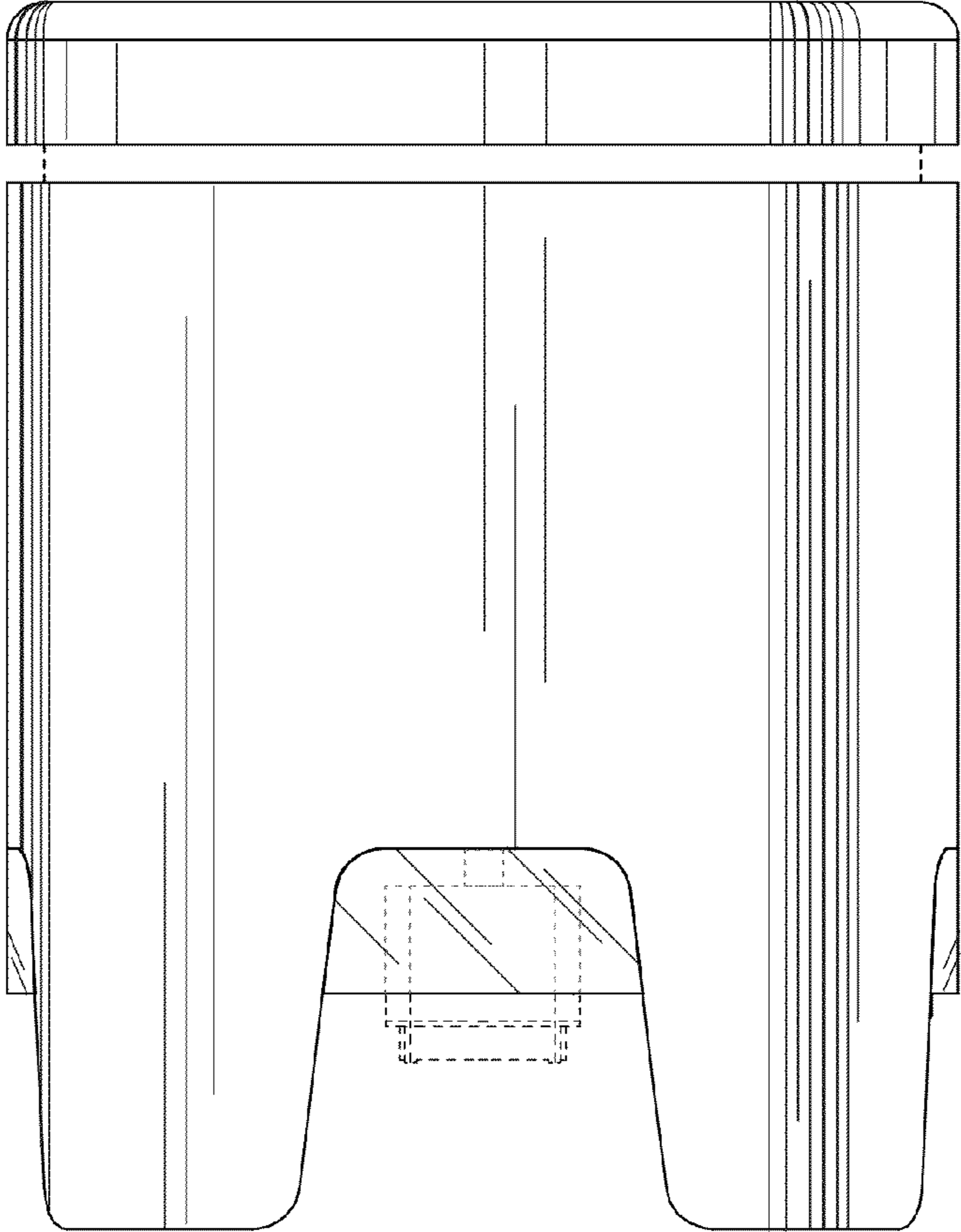


Fig 1

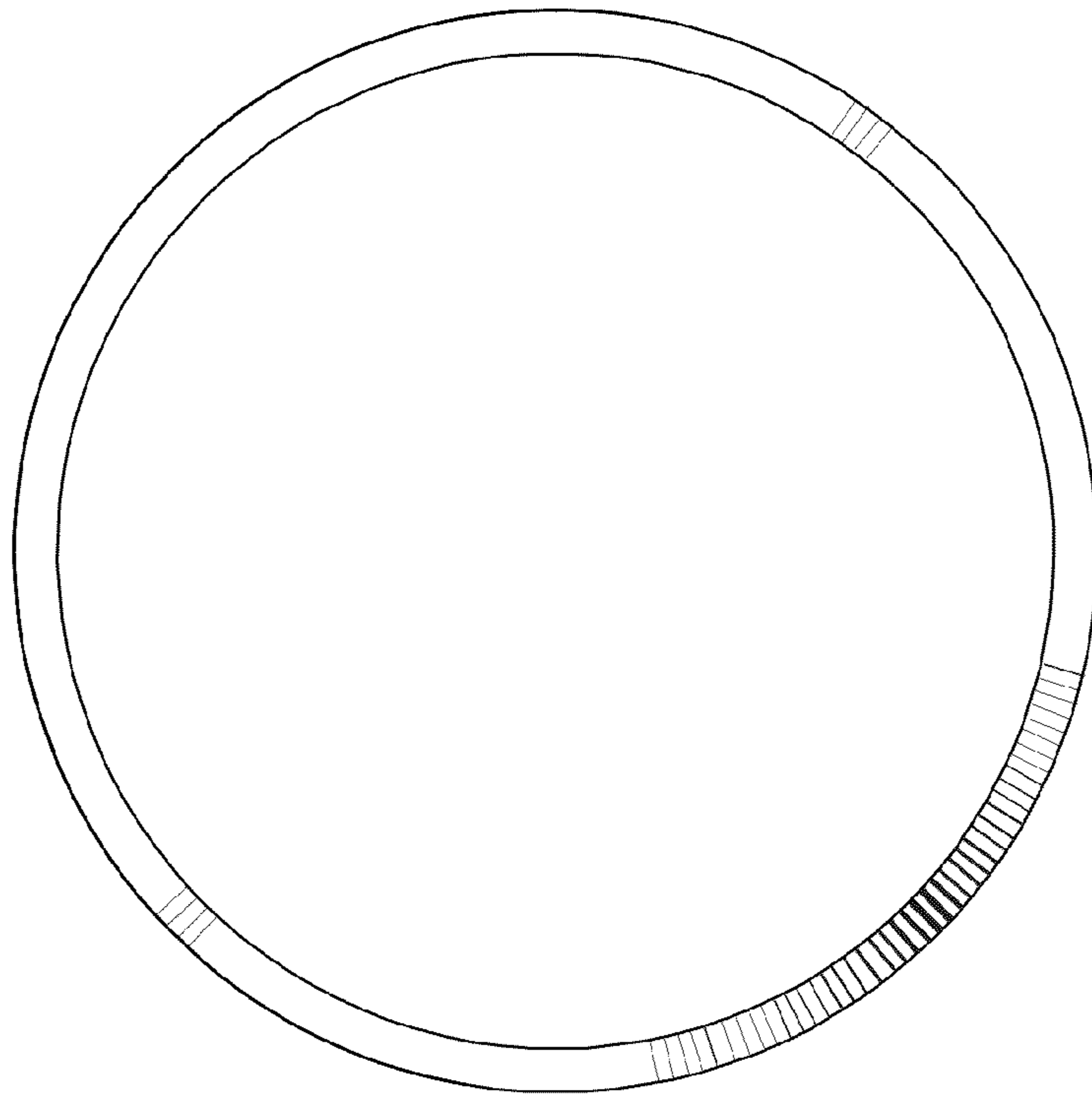


Fig 2

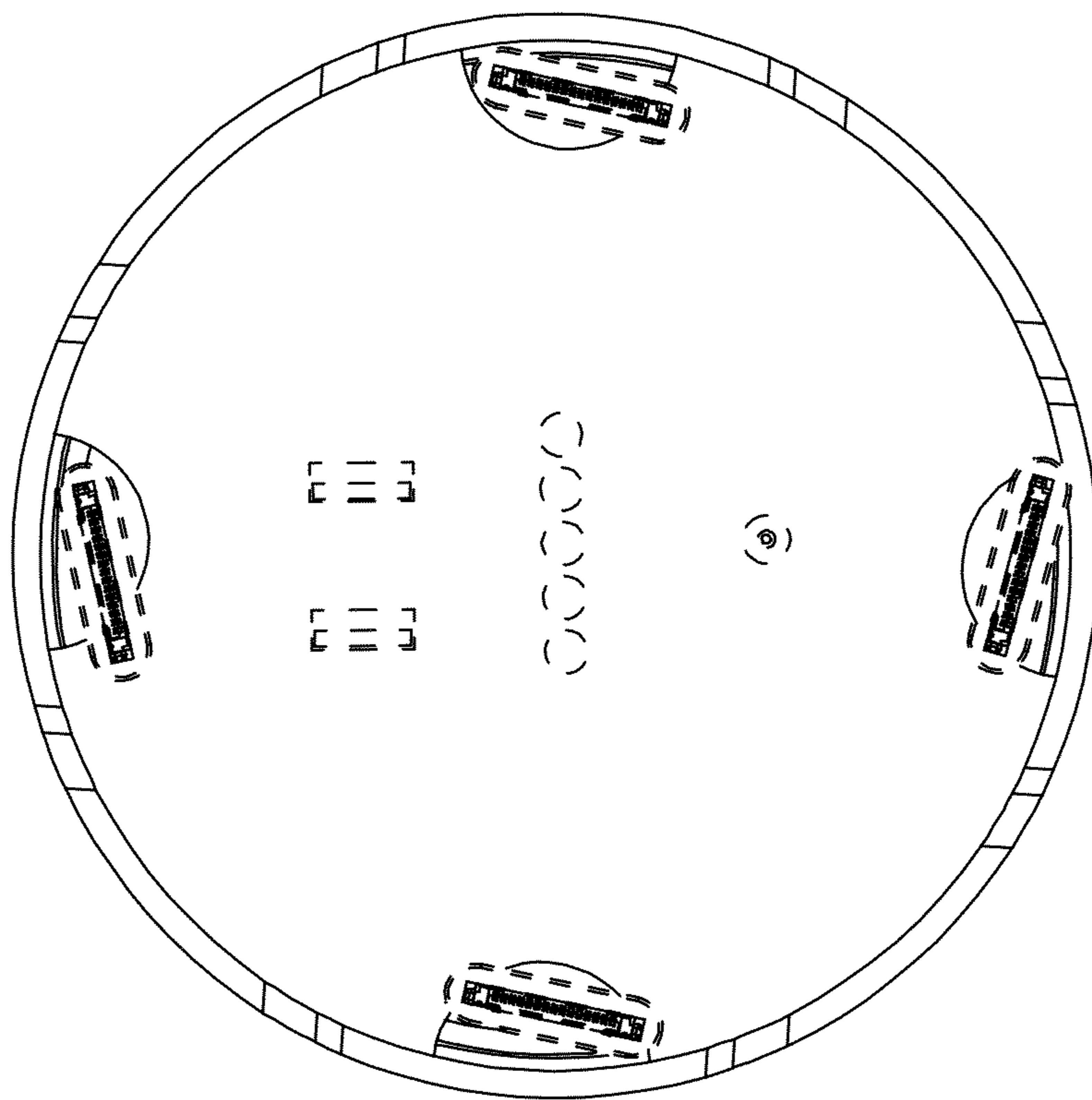


Fig 3

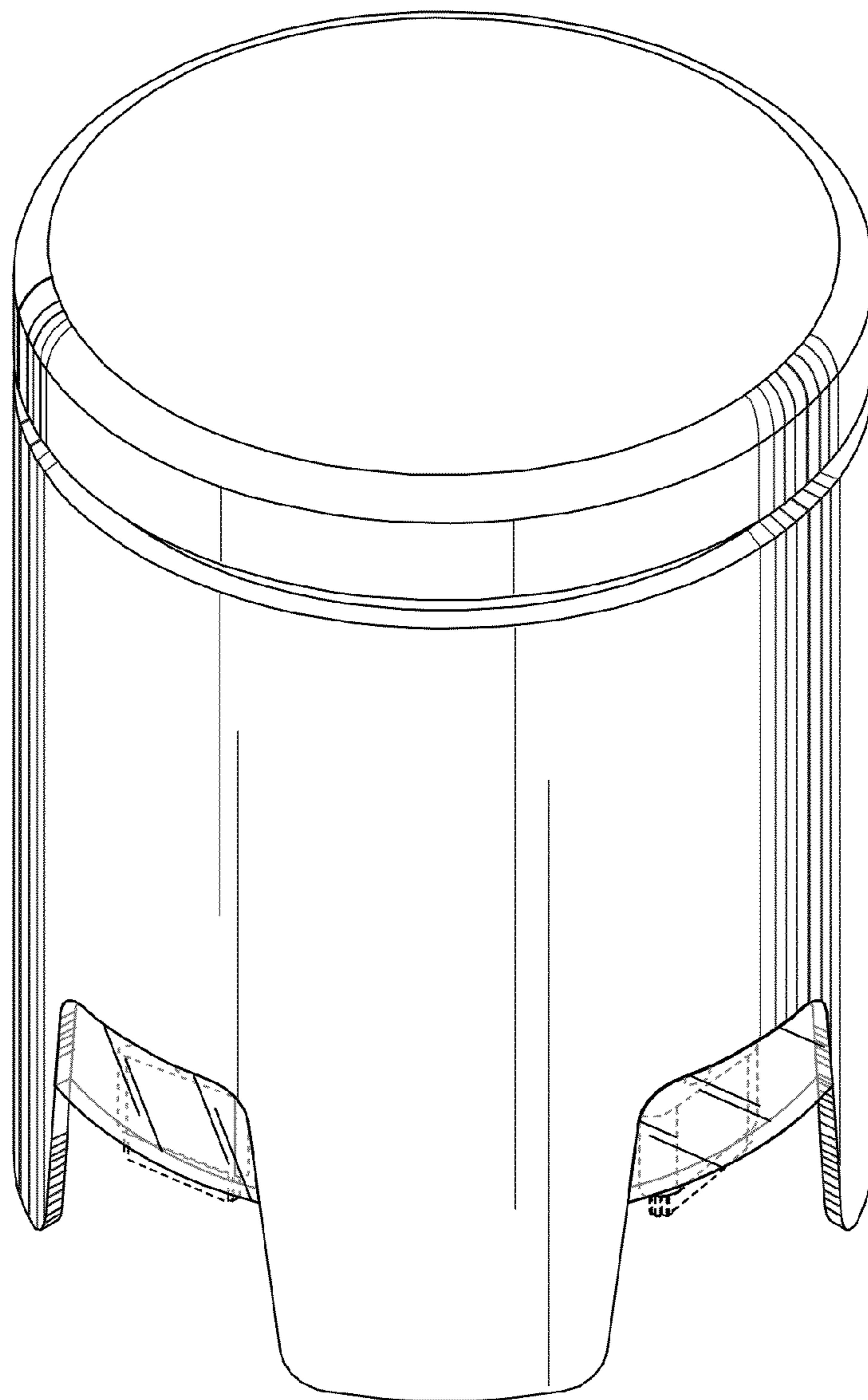


Fig 4

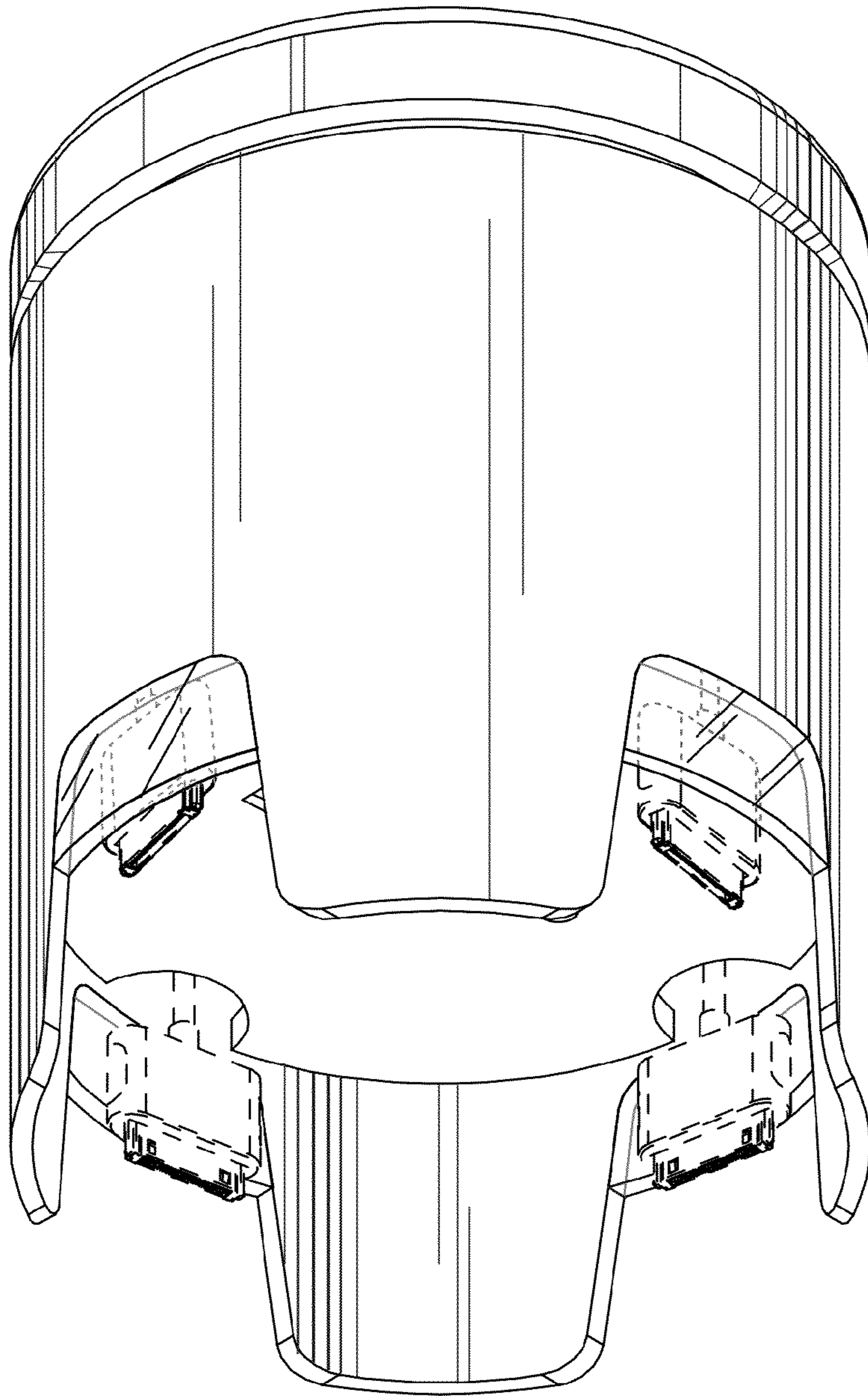


Fig 5