



US00D683304S

(12) **United States Design Patent**
Crider et al.

(10) **Patent No.:** **US D683,304 S**

(45) **Date of Patent:** **** May 28, 2013**

(54) **SOLAR PANEL SUPPORT WITH DOUBLE ARCH**

(75) Inventors: **Steven Crider**, Austin, TX (US); **Harold D. Marshall**, Austin, TX (US)

(73) Assignee: **Crider Americas Solar, LLC**, Cedar Park, TX (US)

(**) Term: **14 Years**

(21) Appl. No.: **29/413,190**

(22) Filed: **Feb. 13, 2012**

(51) **LOC (9) Cl.** **13-02**

(52) **U.S. Cl.**
USPC **D13/102**

(58) **Field of Classification Search** D13/102,
D13/101, 184, 199; 126/580, 600, 601, 680,
126/682, 683, 685, 689; 136/206, 244-251,
136/256, 291, 292; 250/203.4; 353/3
See application file for complete search history.

(56) **References Cited**

U.S. PATENT DOCUMENTS

4,172,739 A * 10/1979 Tassen 136/246
4,585,318 A * 4/1986 Seifert 353/3

5,685,151 A * 11/1997 Ross 60/641.8
6,058,930 A * 5/2000 Shingleton 126/600
D564,958 S * 3/2008 Almy et al. D13/102
D565,505 S * 4/2008 Shugar et al. D13/102
D586,737 S * 2/2009 Shugar et al. D13/102
D600,201 S * 9/2009 Dallaire D13/102
D610,536 S * 2/2010 Brumels D13/102

* cited by examiner

Primary Examiner — Derrick Holland

(74) *Attorney, Agent, or Firm* — William D. Wiese; DuBois, Bryant & Campbell, LLP

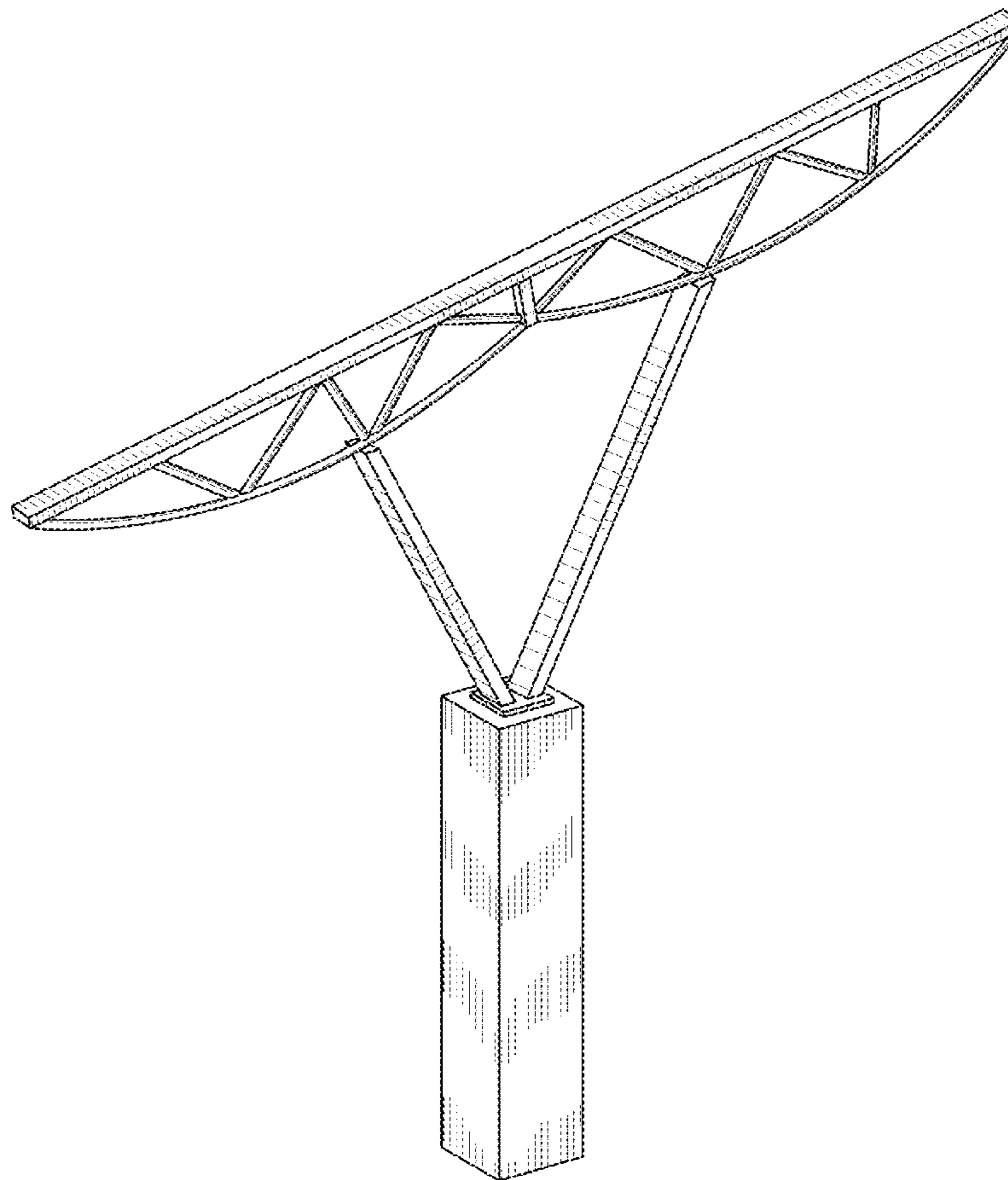
(57) **CLAIM**

The ornamental design for a solar panel support with double arch, as shown and described.

DESCRIPTION

FIG. 1 is a perspective view of a solar panel support with double arch showing our new design;
FIG. 2 is a left side view thereof;
FIG. 3 is a right side view thereof;
FIG. 4 is a frontal view thereof;
FIG. 5 is a rear view thereof;
FIG. 6 is a top view thereof; and,
FIG. 7 is a bottom view thereof.

1 Claim, 5 Drawing Sheets



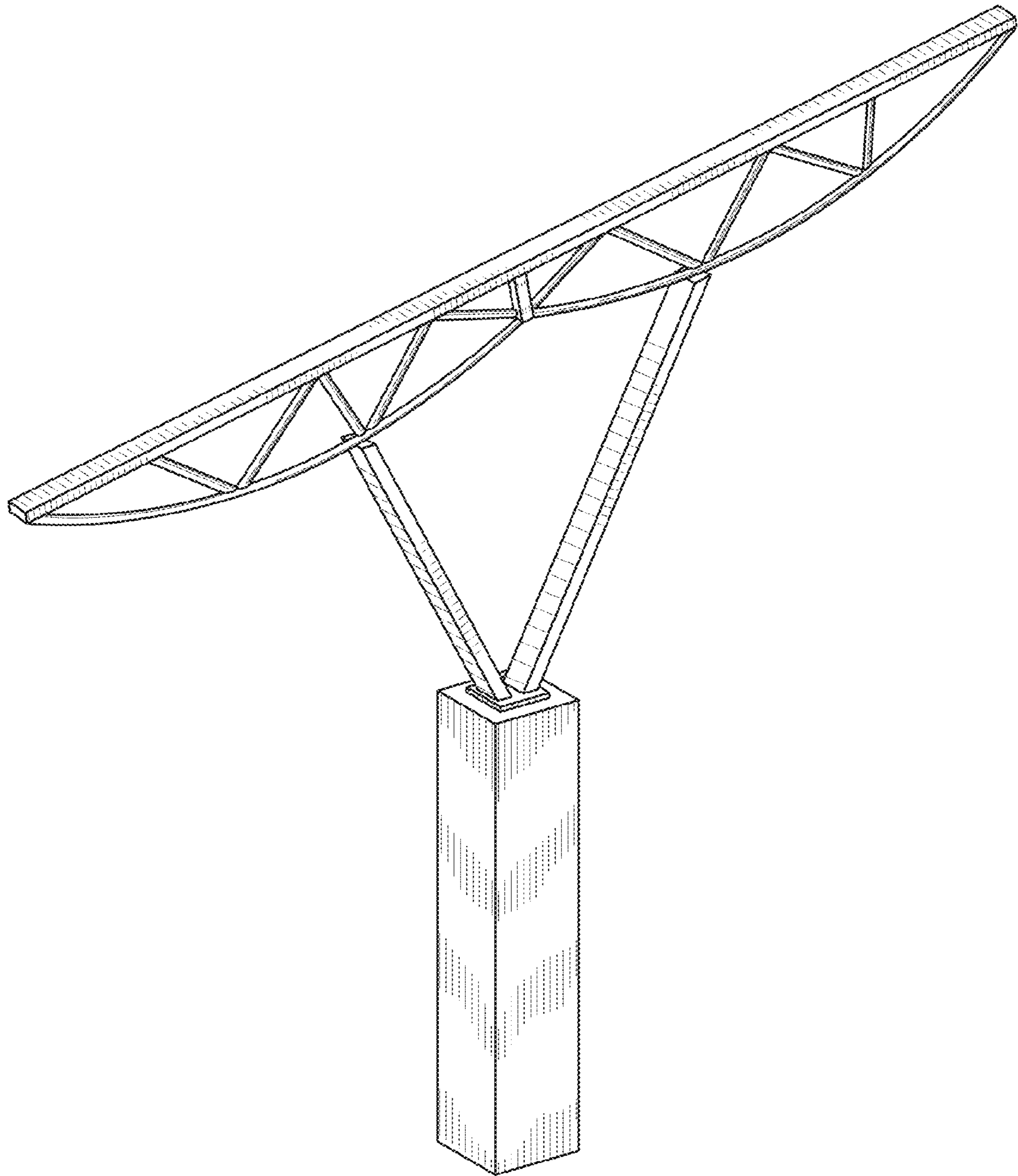


FIG. 1

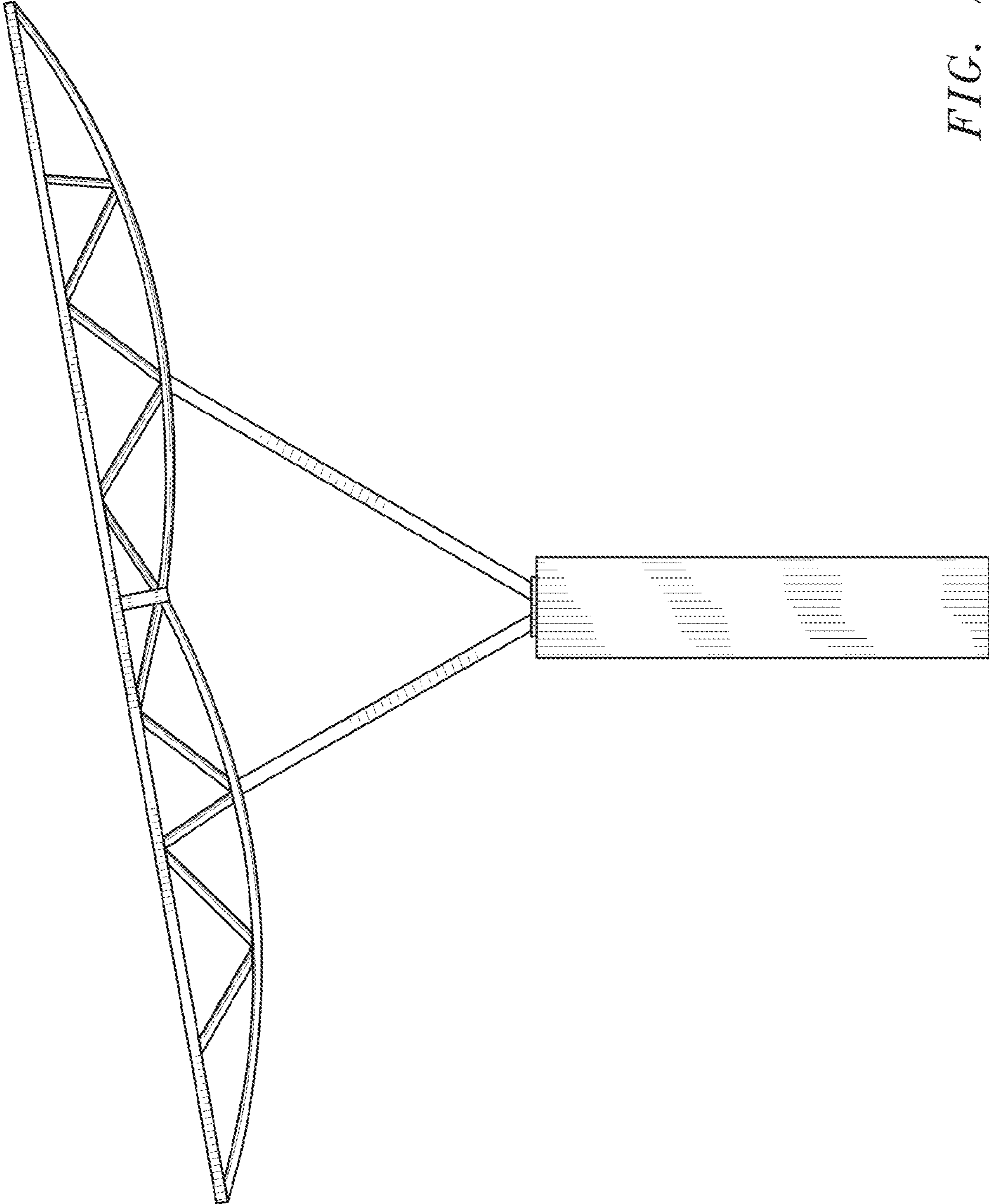


FIG. 2

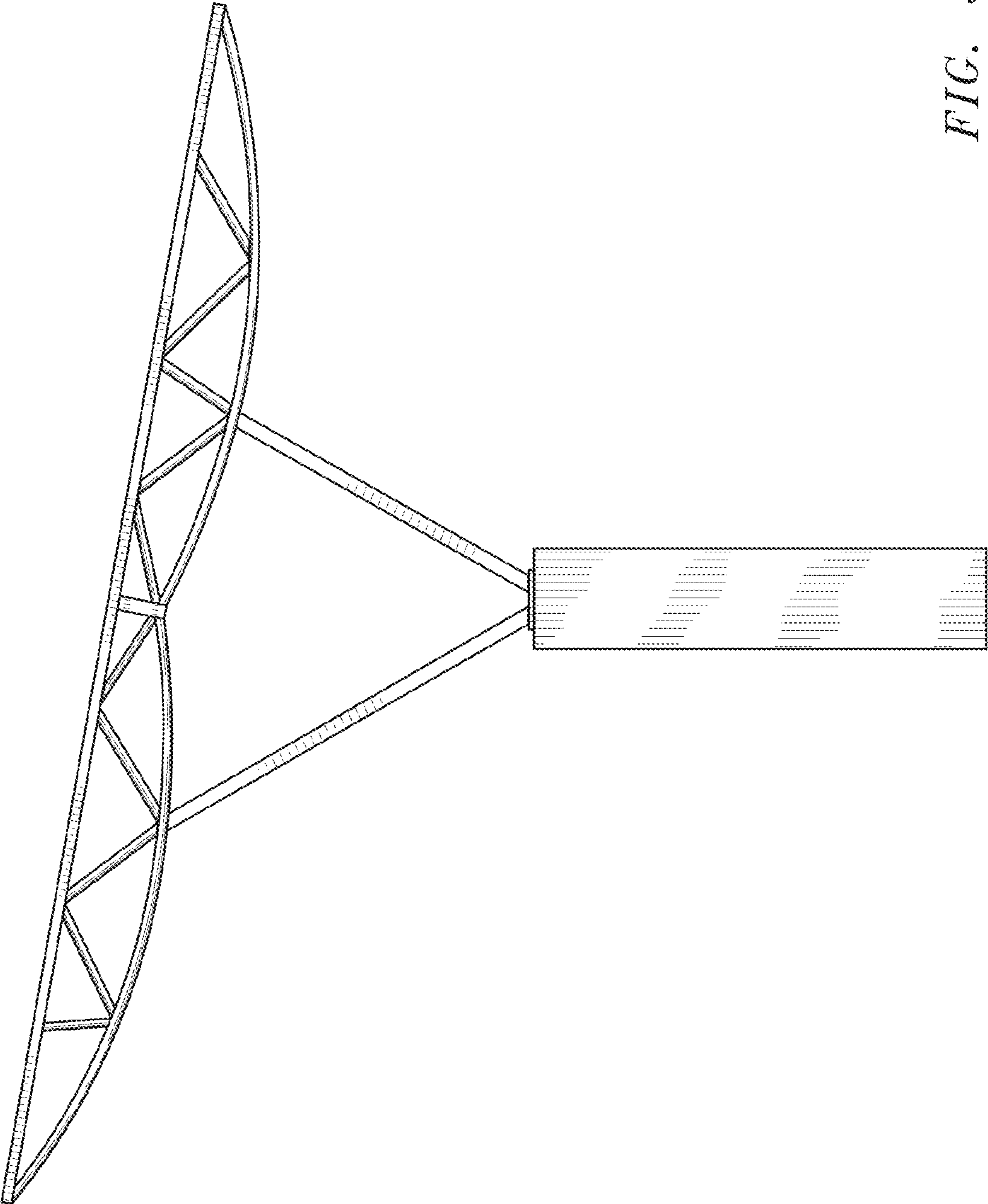


FIG. 3

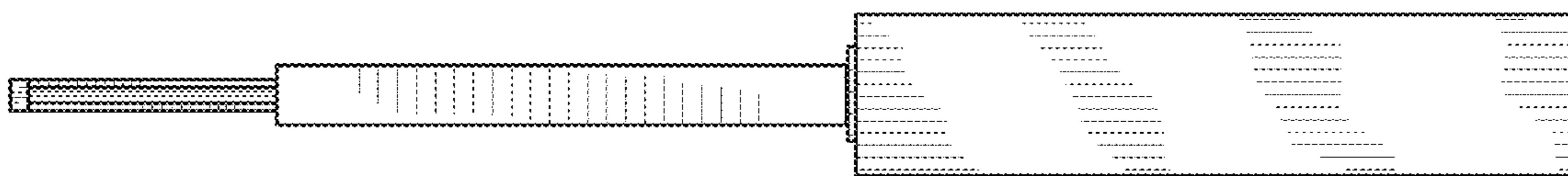


FIG. 5

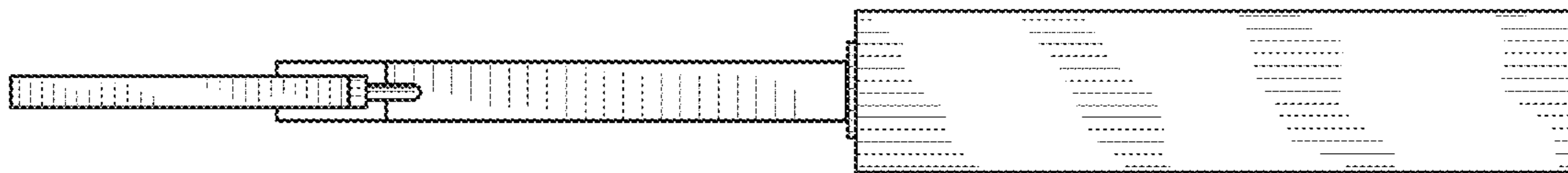


FIG. 4

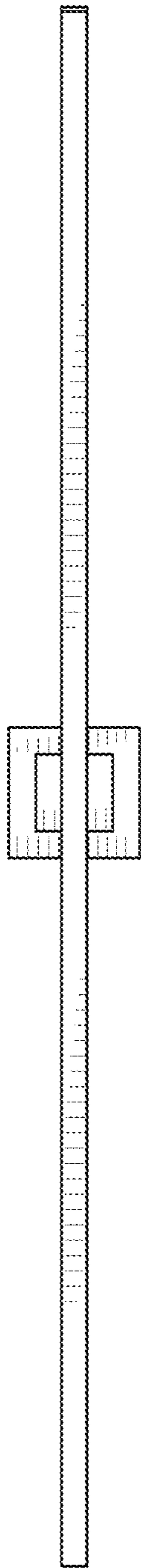


FIG. 6

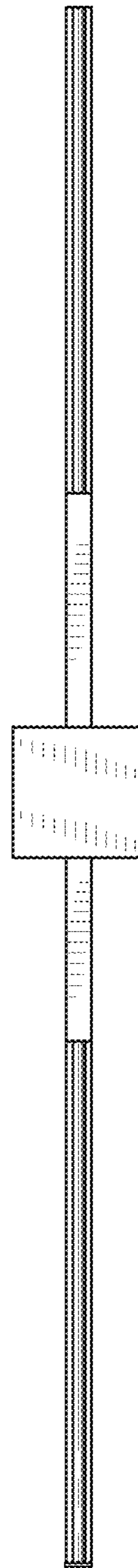


FIG. 7