



US00D683302S

(12) **United States Design Patent**
Miyazaki

(10) **Patent No.:** **US D683,302 S**
(45) **Date of Patent:** **** May 28, 2013**

(54) **TIRE**

(75) **Inventor:** **Tetsuji Miyazaki, Osaka (JP)**

(73) **Assignee:** **Toyo Tire & Rubber Co., Ltd., Osaka (JP)**

(**) **Term:** **14 Years**

(21) **Appl. No.:** **29/411,749**

(22) **Filed:** **Jan. 25, 2012**

(30) **Foreign Application Priority Data**

Nov. 18, 2011 (JP) 2011-026766

(51) **LOC (9) Cl.** **12-15**

(52) **U.S. Cl.**
USPC **D12/589**

(58) **Field of Classification Search**
USPC D12/568-603; 152/209.1-209.28
See application file for complete search history.

(56) **References Cited**

U.S. PATENT DOCUMENTS

D601,084 S * 9/2009 Park et al. D12/588
2012/0318420 A1 * 12/2012 Sawai 152/209.15
2013/0000804 A1 * 1/2013 Kiwaki 152/209.1

FOREIGN PATENT DOCUMENTS

JP D1219773 10/2004
JP D1331134 5/2008
JP D1383640 3/2010

* cited by examiner

Primary Examiner — George D Kirschbaum

(74) *Attorney, Agent, or Firm* — Sterne, Kessler, Goldstein & Fox PLLC

(57) **CLAIM**

The ornamental design for a tire, as shown and described.

DESCRIPTION

FIG. 1 is a perspective view of a tire showing my new design; FIG. 2 is a front view thereof, for which the rear view is the same;

FIG. 3 is a top plan view thereof, for which the bottom plan view is the same;

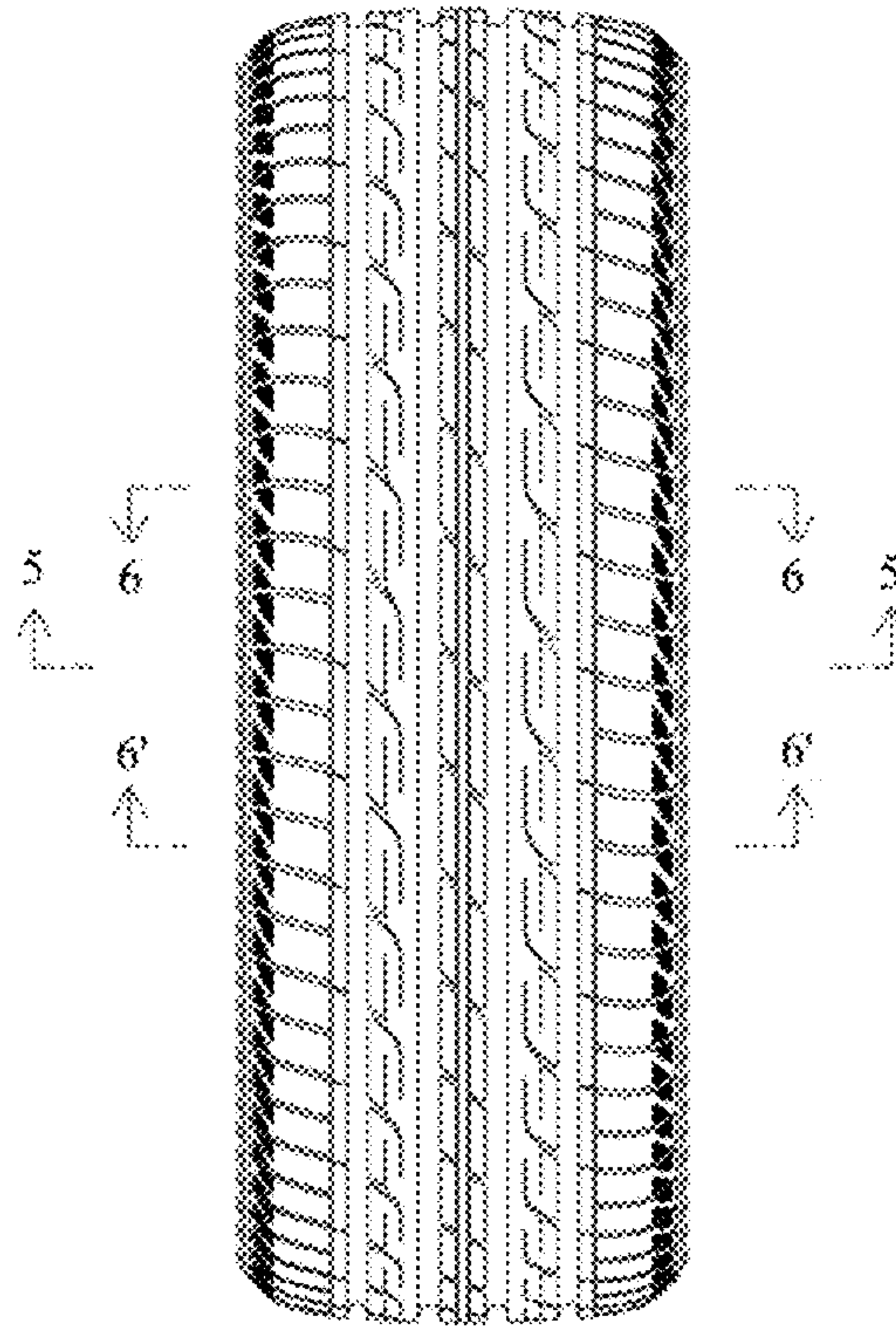
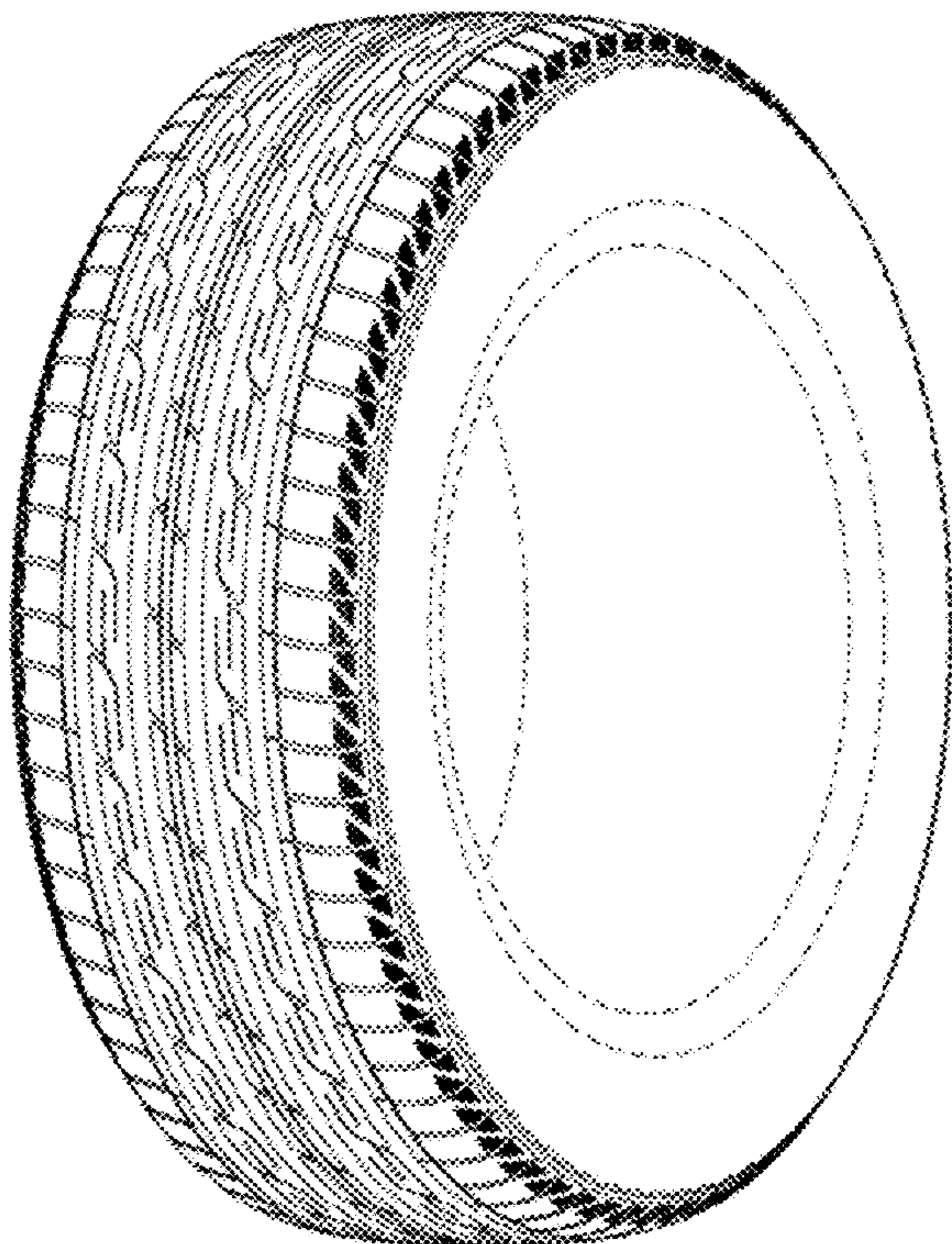
FIG. 4 is a right side view thereof, for which the left side view is the same;

FIG. 5 is a cross-sectional view taken along line 5-5 in FIG. 2 and line 5'-5' in FIG. 4; and,

FIG. 6 is an enlarged view taken along lines 6-6 and 6'-6' in FIG. 2.

In the drawings, the broken lines defining portions of the sidewall and inner bead depict environmental subject matter that forms no part of the claimed design.

1 Claim, 6 Drawing Sheets



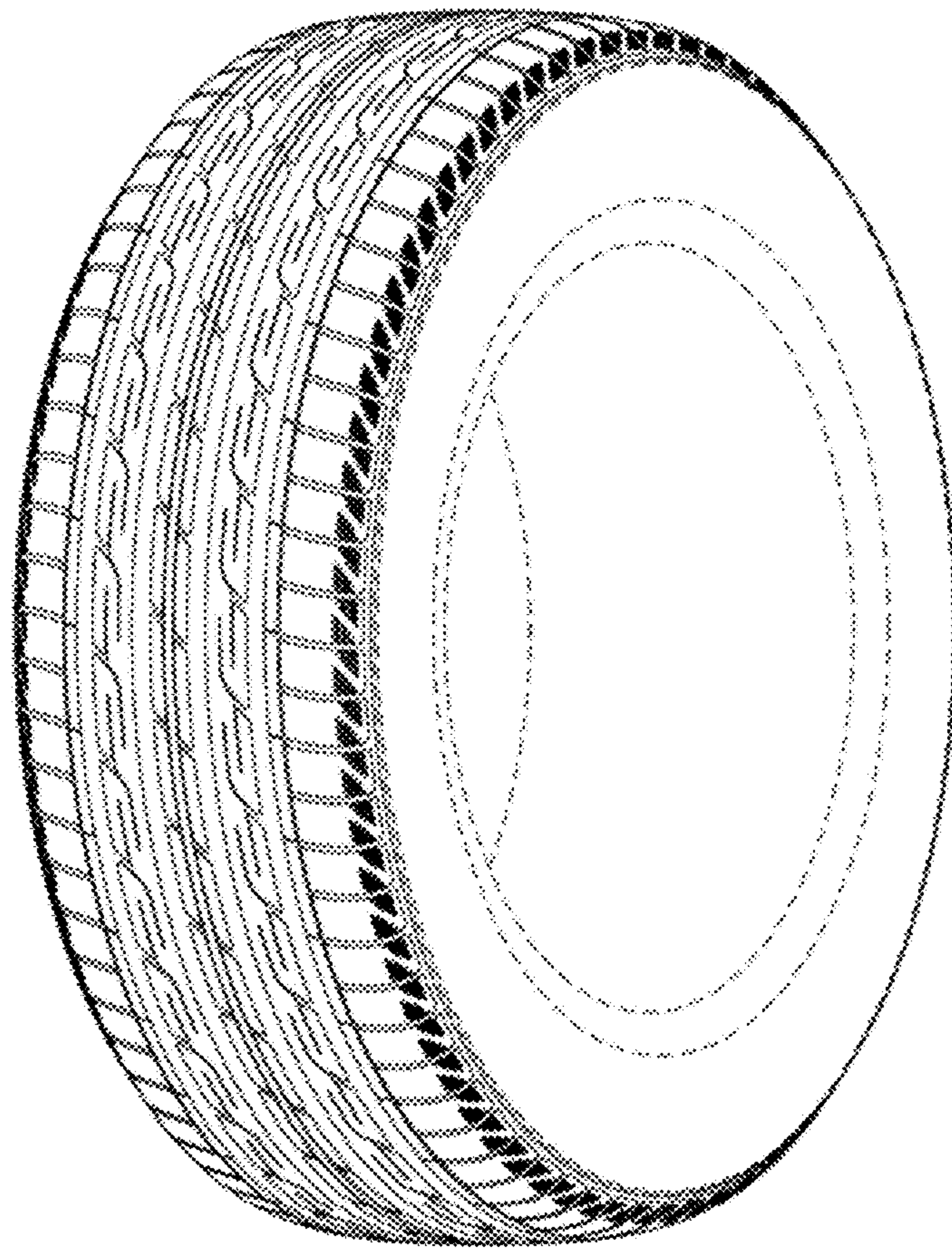


FIG. 1

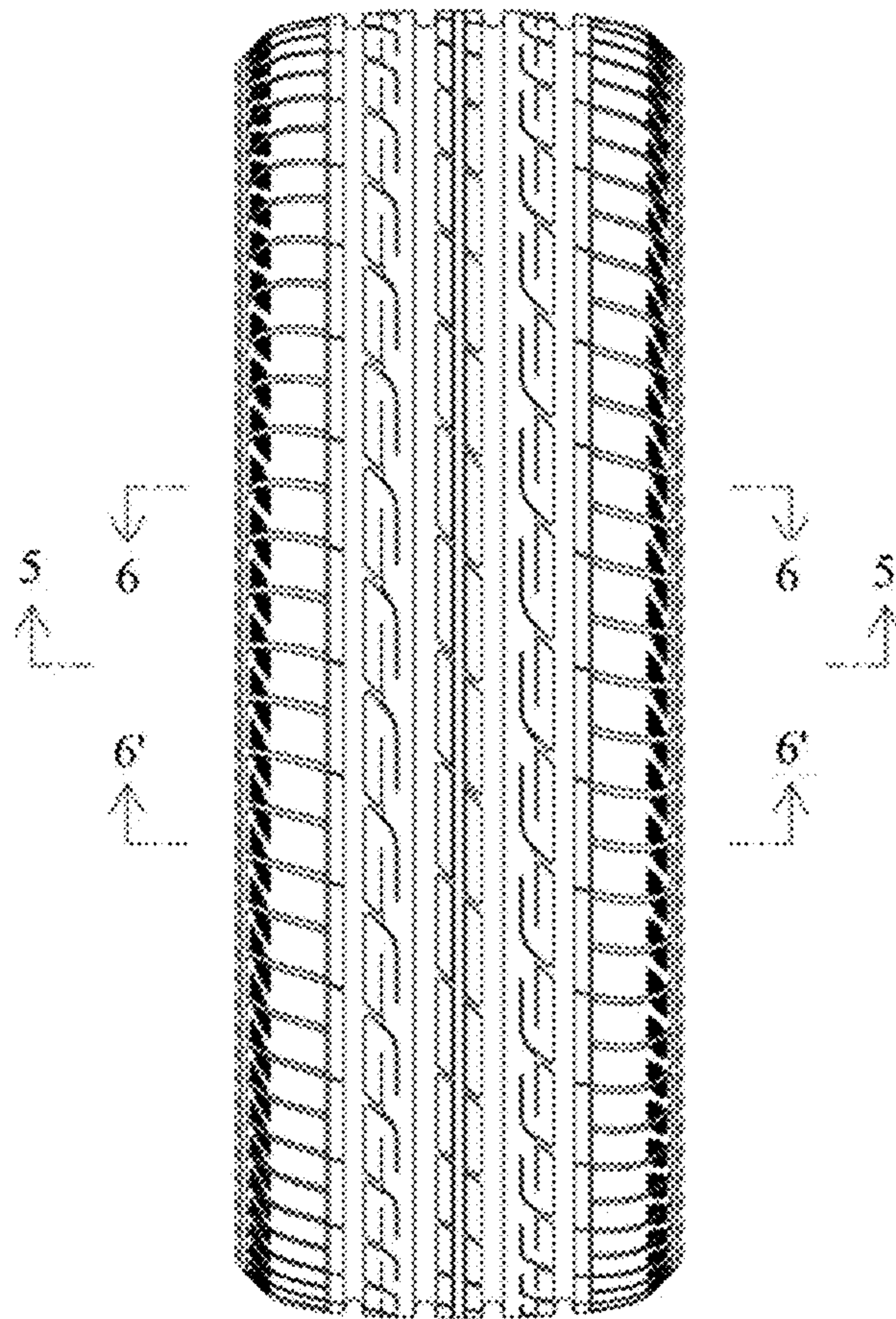


FIG. 2

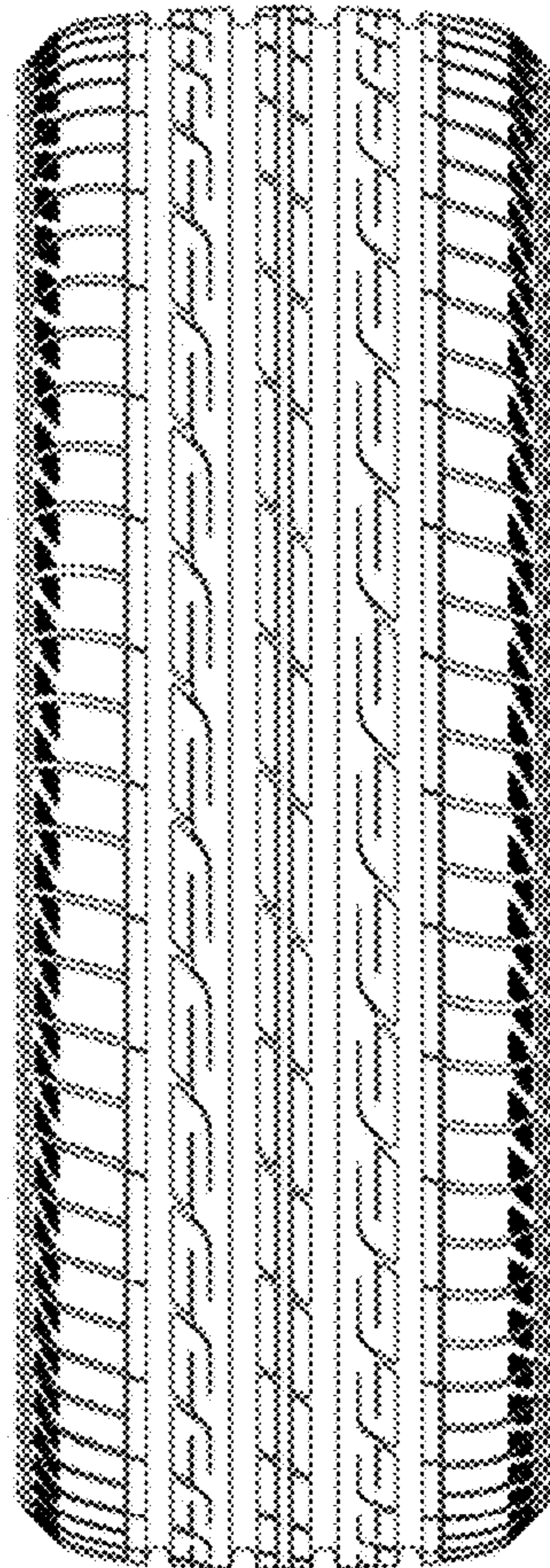


FIG. 3

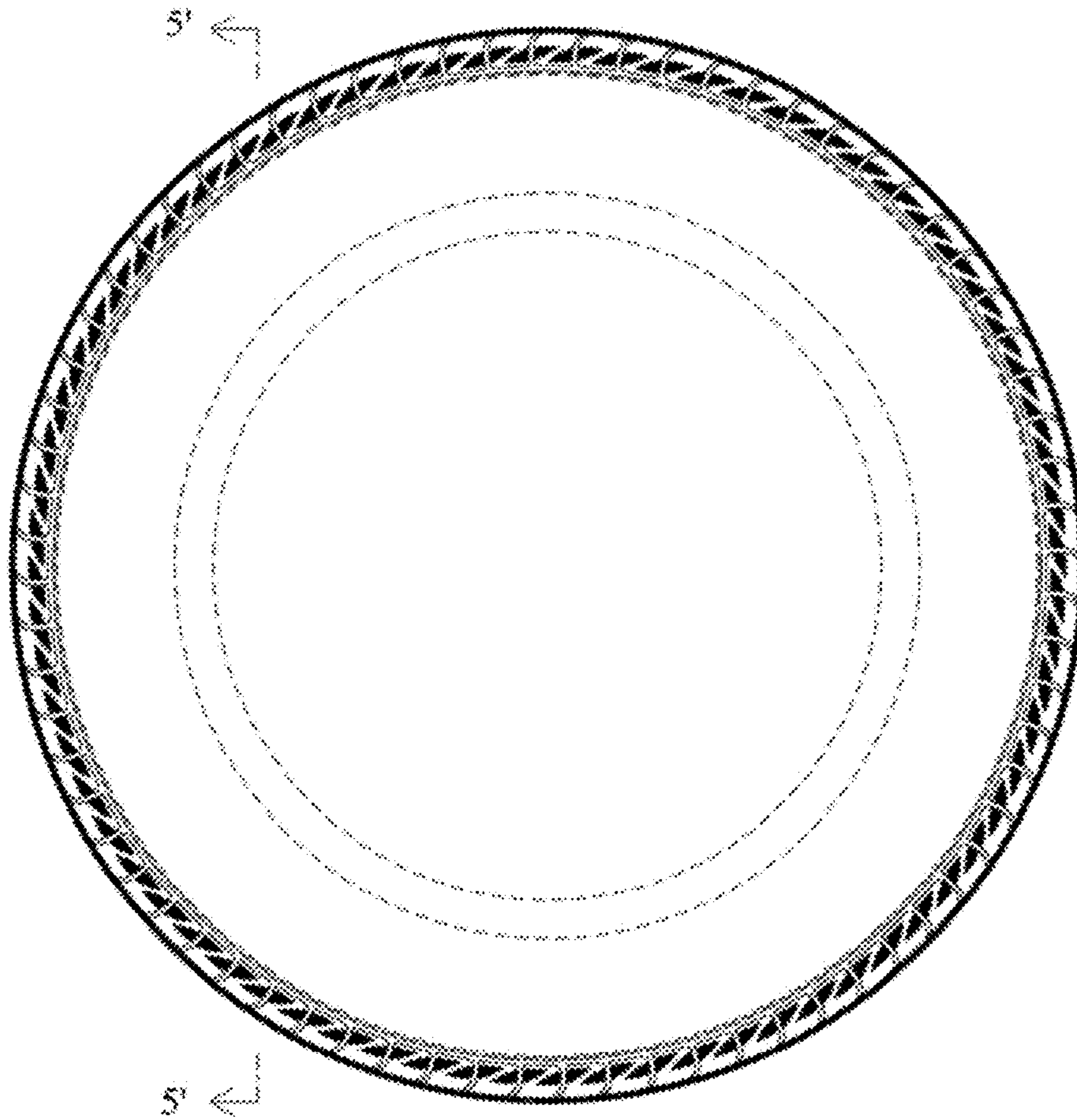


FIG. 4

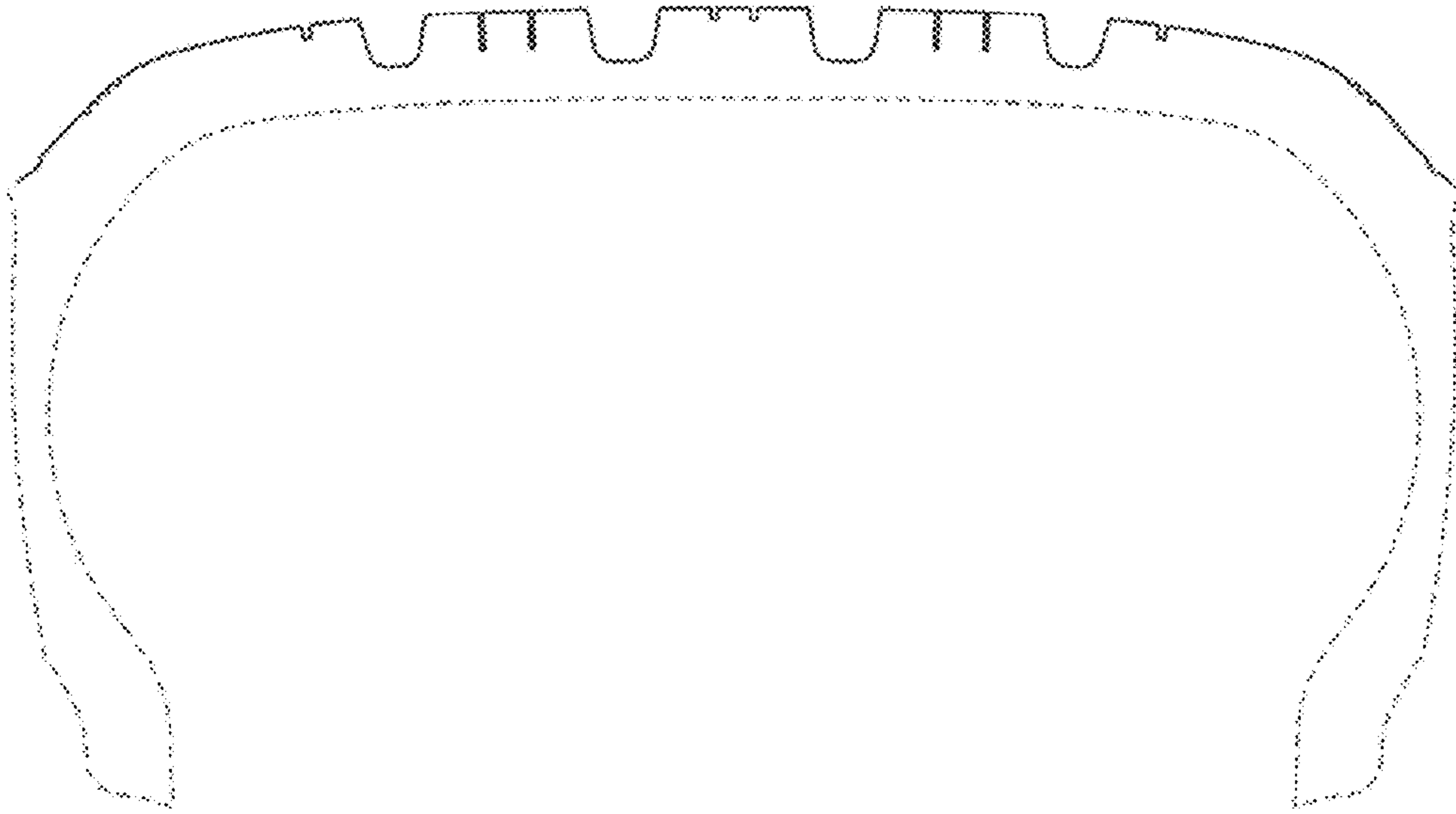


FIG. 5

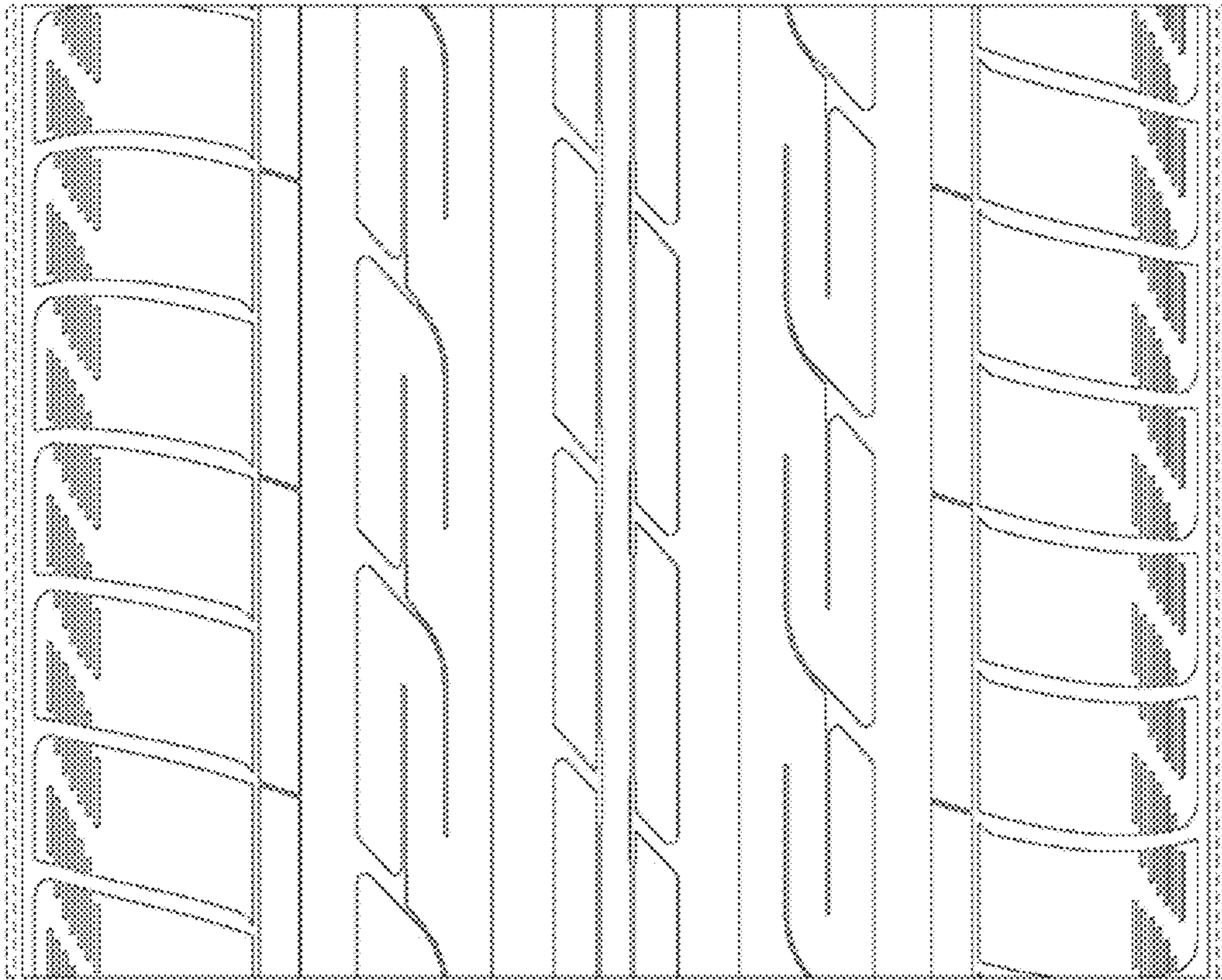


FIG. 6