



US00D683299S

(12) **United States Design Patent**  
**Schrag**

(10) **Patent No.:** **US D683,299 S**

(45) **Date of Patent:** **\*\* May 28, 2013**

(54) **DISPLAY FOR AN AIRCRAFT CONSOLE**

(75) Inventor: **Allan Schrag**, Wichita, KS (US)

(73) Assignee: **Textron Innovations Inc.**, Providence, RI (US)

(\*\*) Term: **14 Years**

(21) Appl. No.: **29/400,582**

(22) Filed: **Aug. 30, 2011**

(51) **LOC (9) Cl.** ..... **12-16**

(52) **U.S. Cl.**  
USPC ..... **D12/415**

(58) **Field of Classification Search**  
USPC ... D12/415, 416, 417, 418, 419, 420; 296/36;  
22/539; 224/404; 248/274.1, 284.1; D8/354;  
D9/423; D14/451-452

See application file for complete search history.

(56) **References Cited**

**U.S. PATENT DOCUMENTS**

D295,969 S *	5/1988	Hooks et al. ....	D12/424
D314,739 S *	2/1991	Mallone .....	D12/424
D320,587 S *	10/1991	Kapp et al. ....	D12/418
D425,475 S	5/2000	Herer	
6,264,273 B1	7/2001	Waters, Sr.	
D451,928 S	12/2001	Van Huong	
D553,554 S	10/2007	Figueiredo	
D556,107 S	11/2007	Figueiredo	
D576,820 S	9/2008	Priestman	
D576,821 S	9/2008	Fisette et al.	
D577,501 S	9/2008	Fisette et al.	
D577,502 S	9/2008	Fisette et al.	
D577,503 S	9/2008	Priestman	
D589,870 S	4/2009	Saint-Jalmes et al.	
D591,665 S	5/2009	Saint-Jalmes et al.	
D592,126 S	5/2009	da Silveira et al.	
D608,366 S	1/2010	Matas	

7,665,693 B2	2/2010	Bettell	
D626,903 S *	11/2010	Vermeersch et al. ....	D12/192
D630,159 S	1/2011	Saint-Jalmes et al.	
D634,698 S	3/2011	Saint-Jalmes et al.	
7,966,952 B2	6/2011	Fisette et al.	
2009/0078169 A1	3/2009	Osborne et al.	
2009/0146004 A1	6/2009	Plant	
2009/0284476 A1	11/2009	Bull et al.	
2010/0224727 A1	9/2010	Bauer et al.	
2010/0293462 A1	11/2010	Bull et al.	

\* cited by examiner

*Primary Examiner* — Katrina A Betton

(74) *Attorney, Agent, or Firm* — Lathrop & Gage LLP

(57) **CLAIM**

The ornamental design for an display for an aircraft console, as shown and described.

**DESCRIPTION**

This application is also related to commonly-owned and cofiled U.S. Design patent application Ser. No. 29/400,579, entitled Article Holding Area For An Aircraft Console, filed Aug. 30, 2011, U.S. Design patent application Ser. No. 29/400,572, entitled Aircraft Console, filed Aug. 30, 2011, and U.S. Design patent application Ser. No. 29/400,571, entitled Dual Display Arrangement For An Aircraft Console, filed Aug. 30, 2011.

FIG. 1 is a top front perspective view of a display for an aircraft console which embodies my new and original design therefore;

FIG. 2 is a front elevational view thereof;

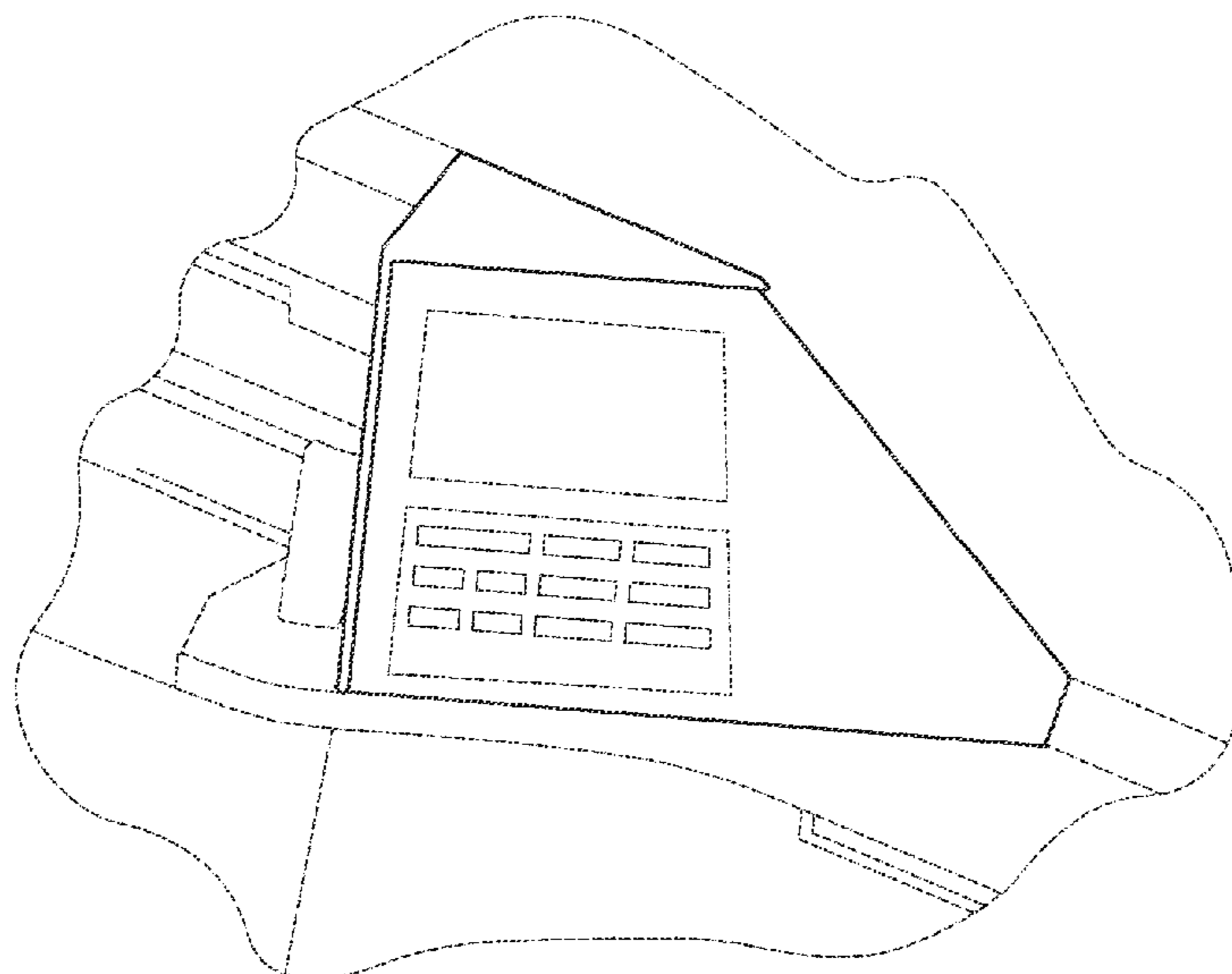
FIG. 3 is a top plan view thereof;

FIG. 4 is a left hand side elevational view thereof; and,

FIG. 5 is a right hand side elevational view thereof.

The broken lines in the drawings are for illustrative purposes only and form no part of the claimed design.

**1 Claim, 3 Drawing Sheets**



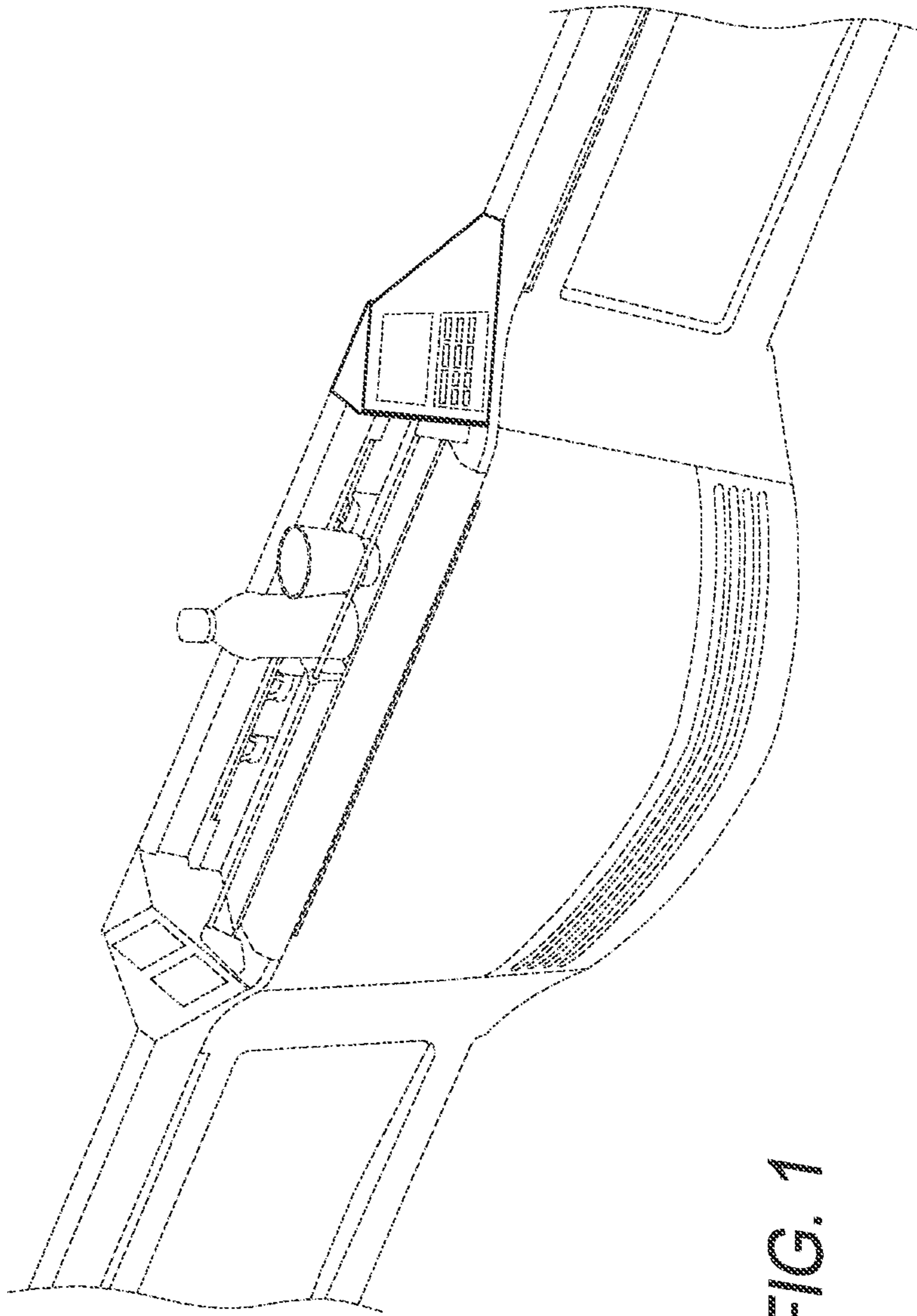


FIG. 1

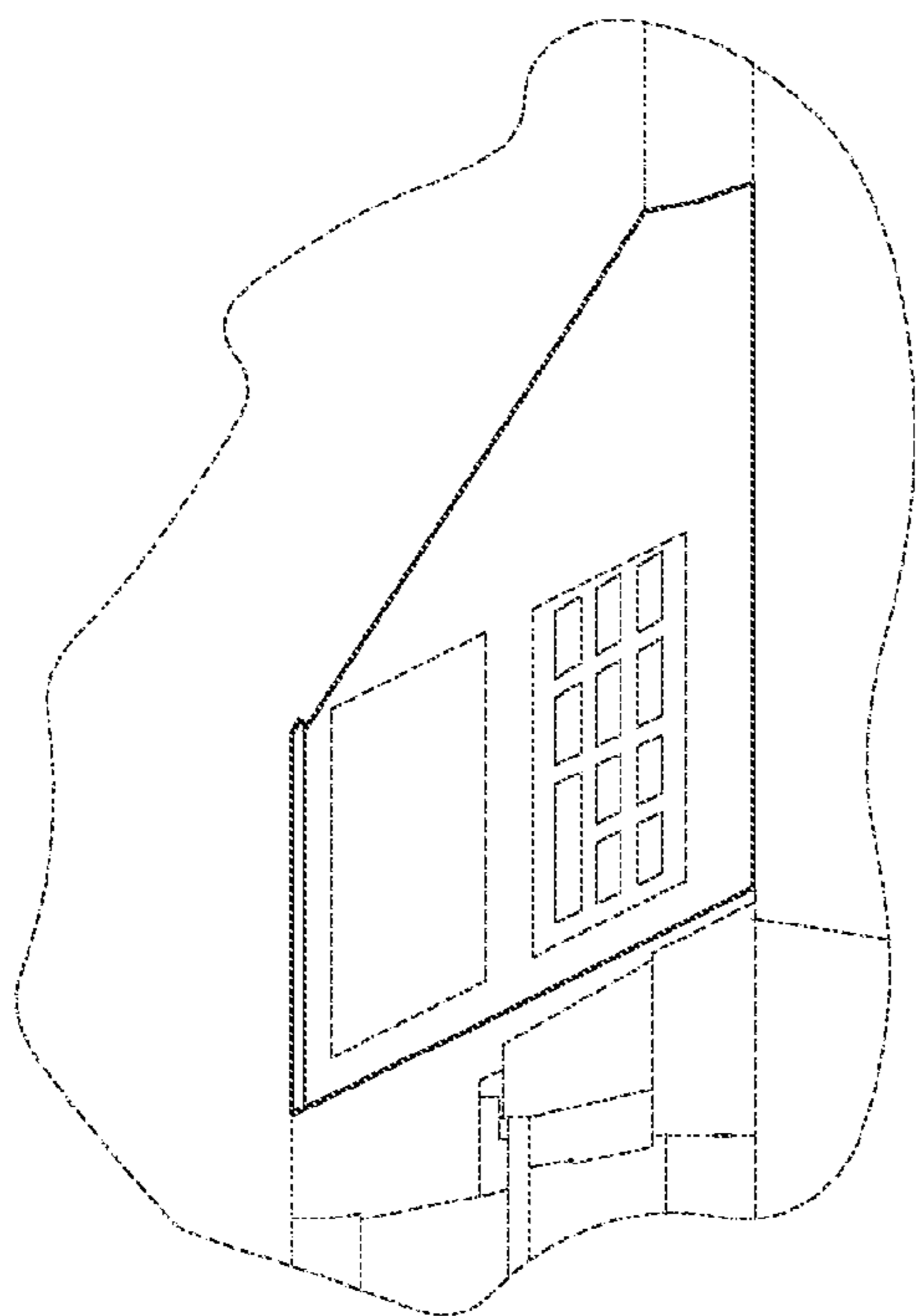


FIG. 3

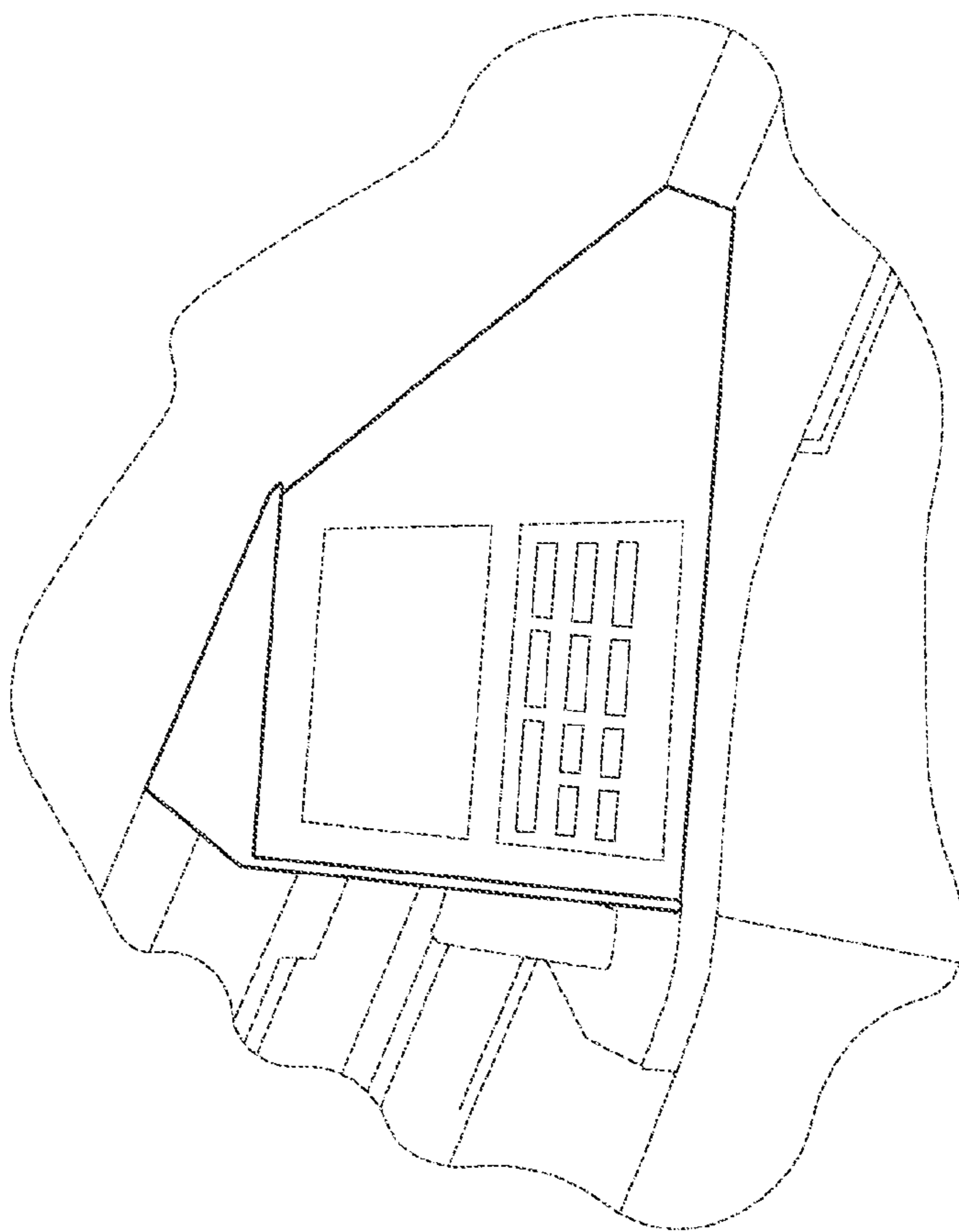


FIG. 2

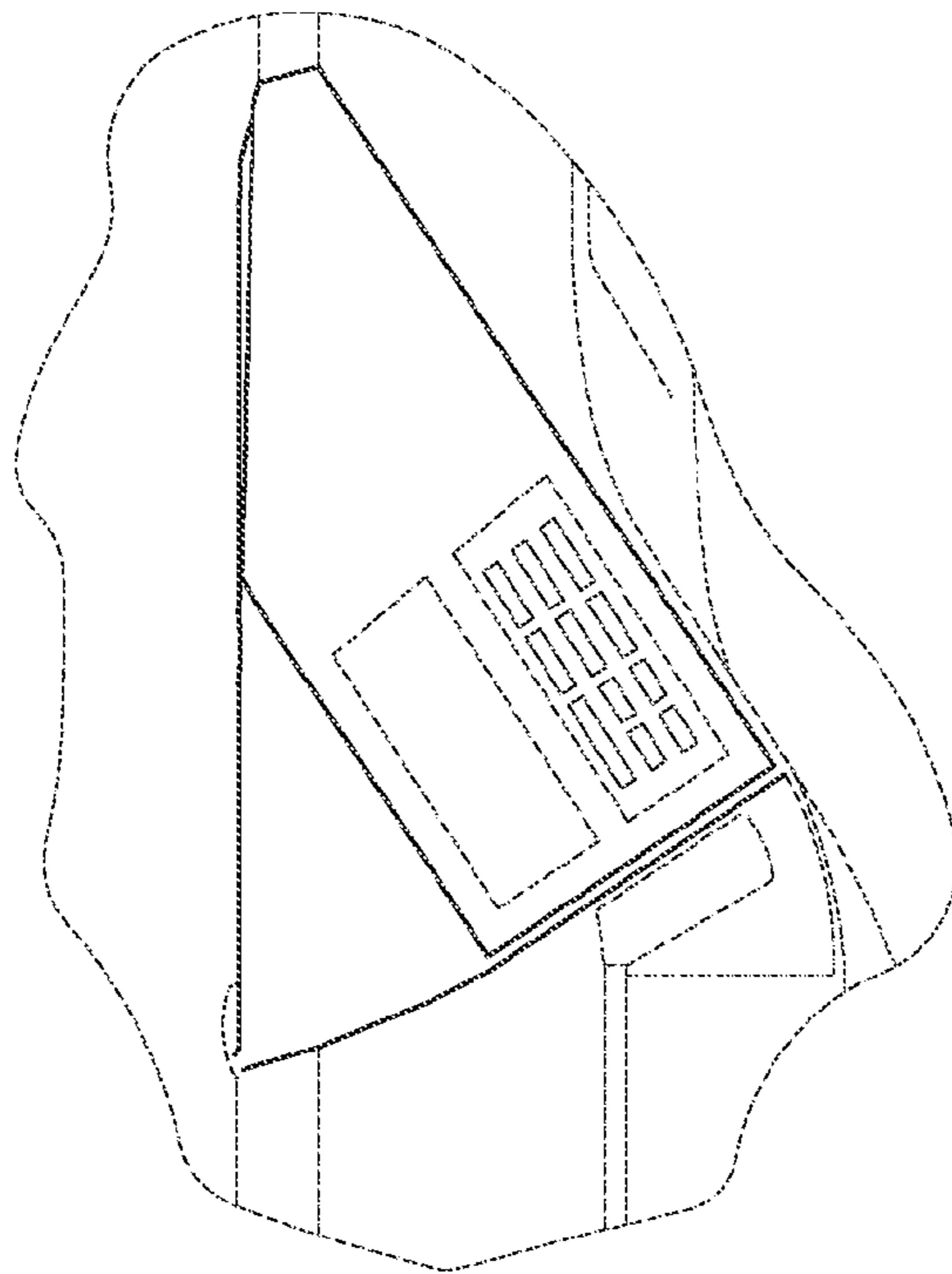


FIG. 4

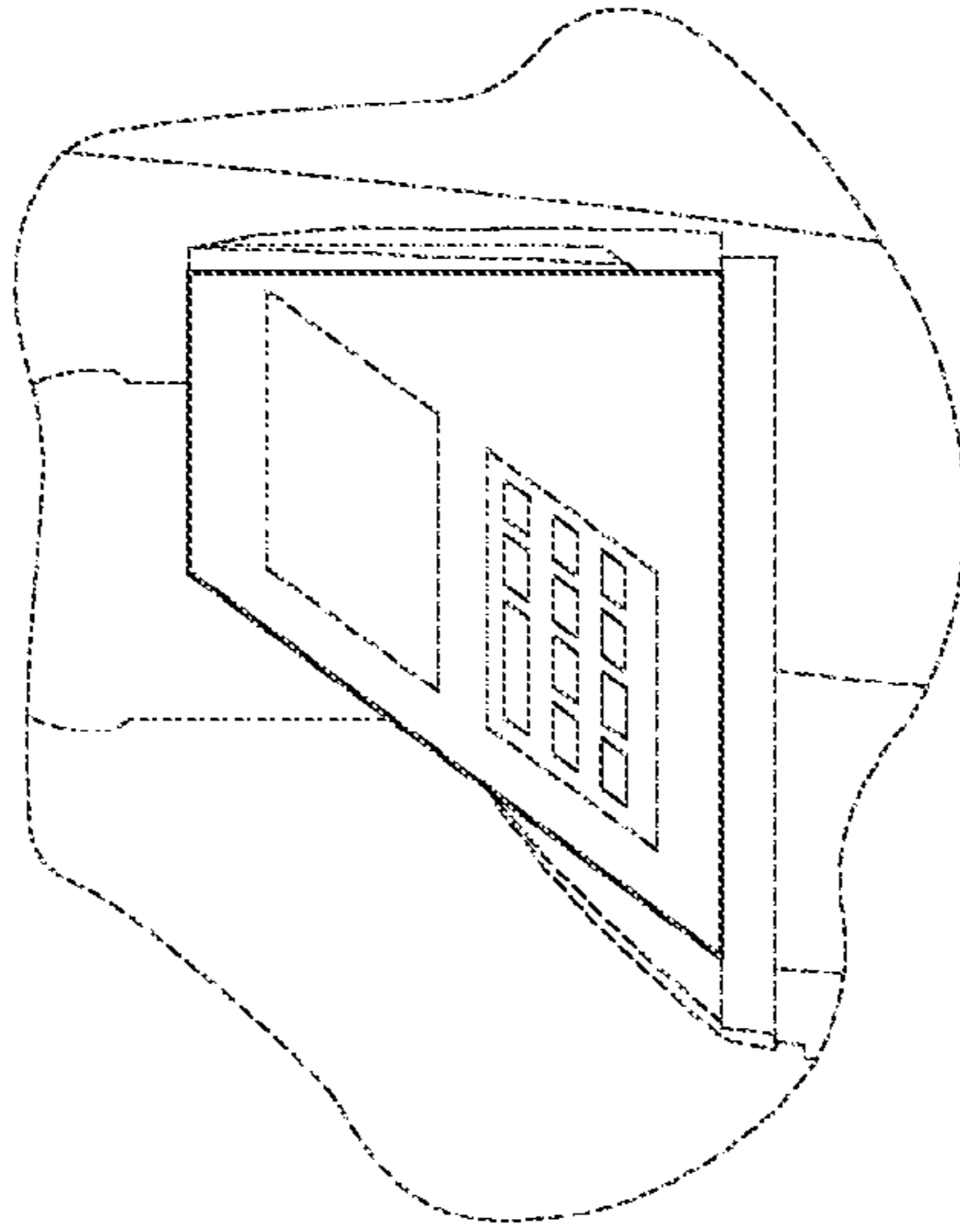


FIG. 5