



US00D683297S

(12) **United States Design Patent**  
**Juergens et al.**

(10) **Patent No.:** **US D683,297 S**

(45) **Date of Patent:** **\*\* May 28, 2013**

(54) **WHEEL OR WHEEL COVER**

(75) Inventors: **Dirk Juergens, Munich (DE); Rainer Mueller, Munich (DE)**

(73) Assignee: **Bayerische Motoren Werke Aktiengesellschaft, Munich (DE)**

(\*\*) **Term:** **14 Years**

(21) **Appl. No.:** **29/417,655**

(22) **Filed:** **Apr. 6, 2012**

(30) **Foreign Application Priority Data**

Oct. 7, 2011 (DE) ..... 402011005029

(51) **LOC (9) Cl.** ..... **12-16**

(52) **U.S. Cl.**  
USPC ..... **D12/211**

(58) **Field of Classification Search**  
USPC ..... D12/204-213; 301/37.101, 64.101,  
301/65, 64.201

See application file for complete search history.

(56) **References Cited**

**U.S. PATENT DOCUMENTS**

D402,951 S	12/1998	Wechner	
D522,434 S	6/2006	Langer	
D527,325 S	8/2006	Nagashima	
D567,167 S	4/2008	Forster	
D568,800 S	* 5/2008	Huet	D12/211
D583,742 S	* 12/2008	Juergens et al.	D12/211
D593,022 S	5/2009	Forster et al.	
D597,015 S	* 7/2009	Juergens et al.	D12/211
D612,787 S	3/2010	Juergens et al.	
D620,870 S	* 8/2010	Powell	D12/211
D622,649 S	* 8/2010	Weil	D12/209

D628,136 S	11/2010	Leclercq	
D635,499 S	* 4/2011	Nissl	D12/211
D650,315 S	12/2011	Juergens et al.	
D658,107 S	* 4/2012	Pollmann et al.	D12/211
D670,636 S	* 11/2012	Juergens et al.	D12/211
D671,476 S	* 11/2012	Pinel	D12/209
D671,480 S	* 11/2012	Cepkova	D12/209
D671,481 S	* 11/2012	Amezketta	D12/211

**FOREIGN PATENT DOCUMENTS**

DE	M9704929.8	11/1997
EM	000213335-0005	11/2004
EM	000380852-0004	10/2005
EM	000735758-0006	7/2007
EM	000976881-0001	10/2008
EM	001598277-0001	1/2010
EM	001636978-0018	11/2010
EM	001674441-0009	12/2010
EM	001693599-0005	6/2011
EM	001744640-0010	3/2012

\* cited by examiner

*Primary Examiner* — Stacia Cadmus

(74) *Attorney, Agent, or Firm* — Crowell & Moring LLP

(57) **CLAIM**

The ornamental design for a wheel or wheel cover, as shown and described.

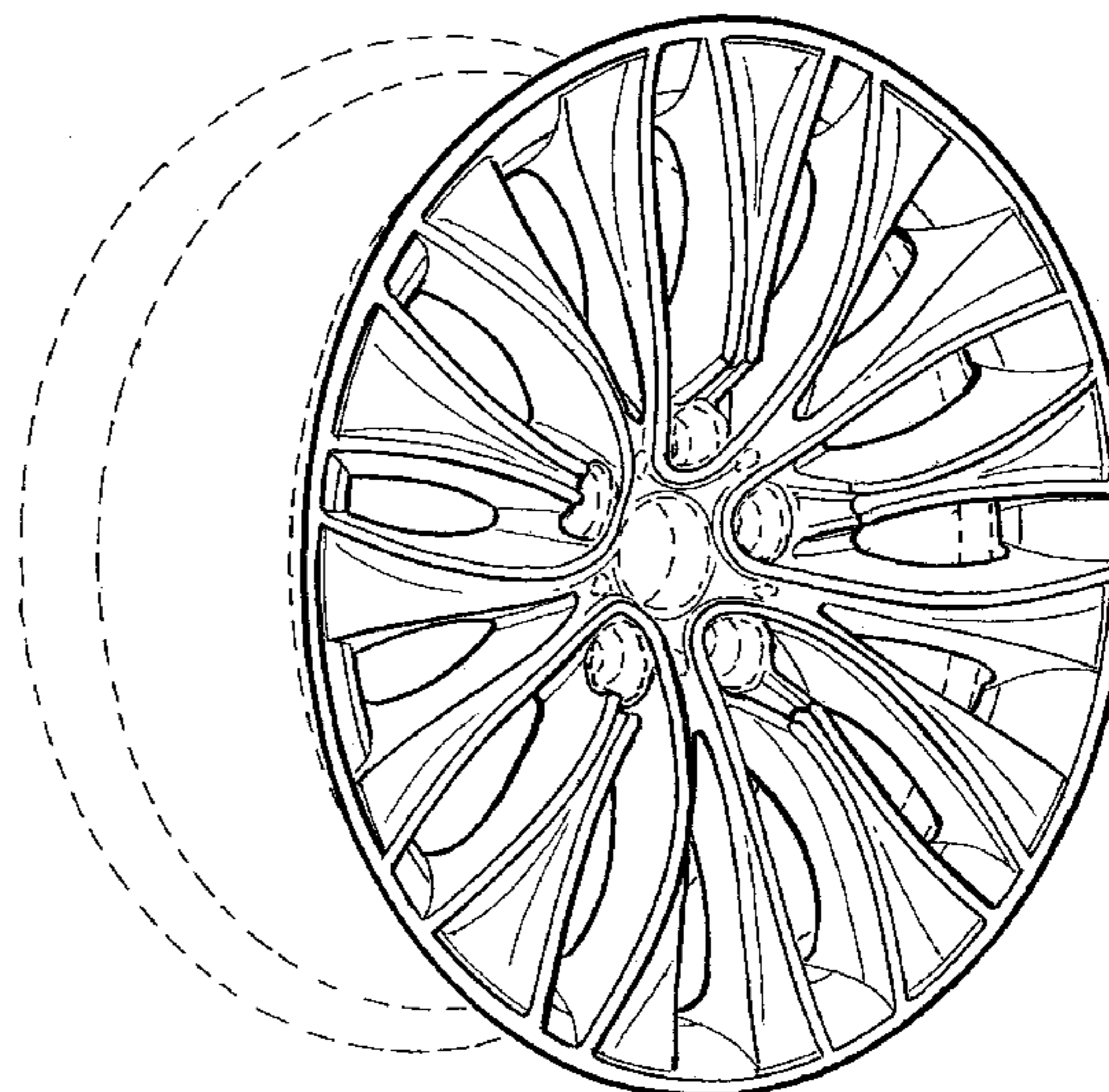
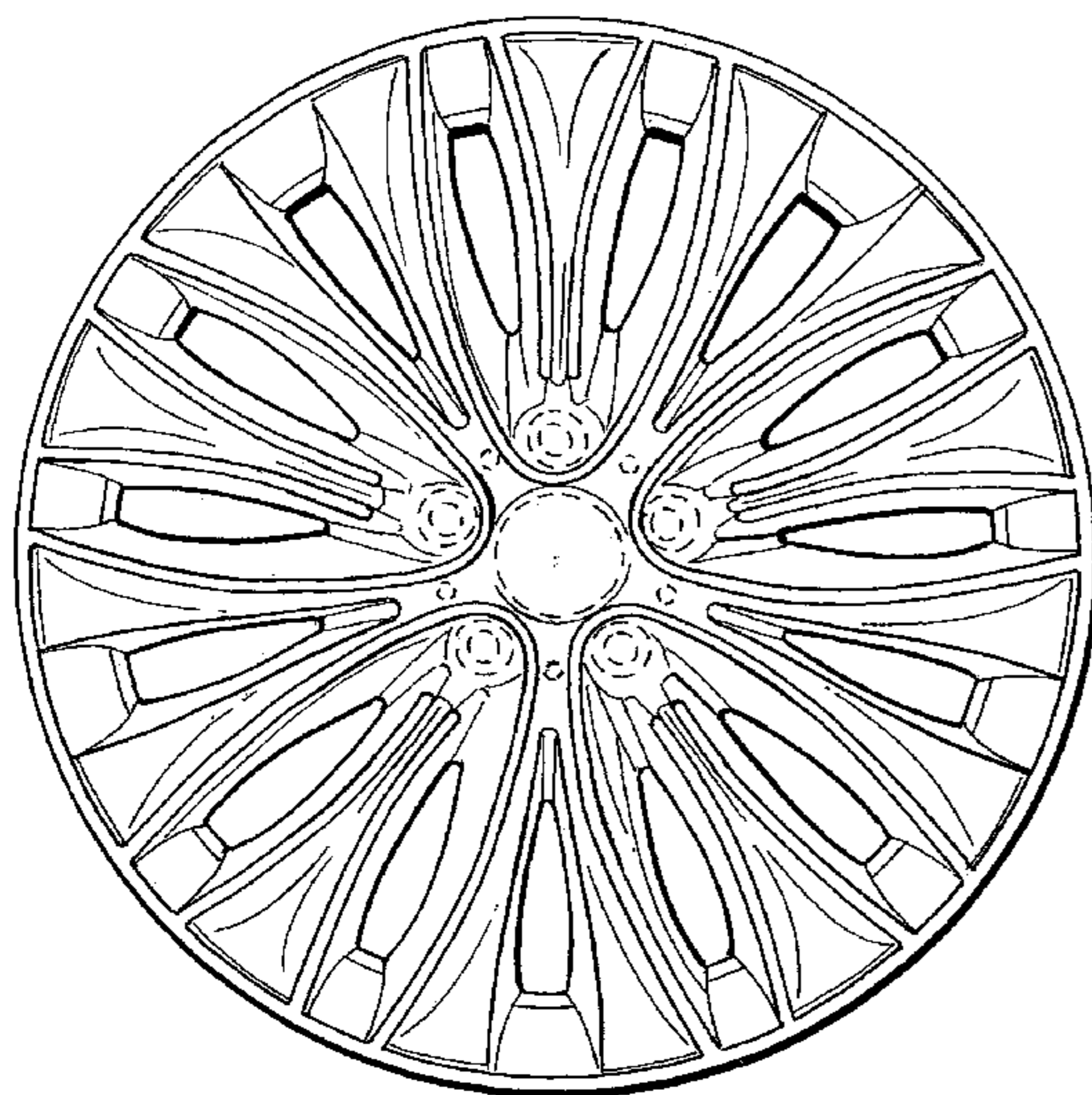
**DESCRIPTION**

FIG. 1 is a front view of a wheel or wheel cover according to our design; and,

FIG. 2 is a perspective view thereof.

The broken line showing of the rear of the wheel and the bolt holes and center opening in the central hub area is included for the purpose of illustrating environment and forms no part of the claimed design.

**1 Claim, 1 Drawing Sheet**



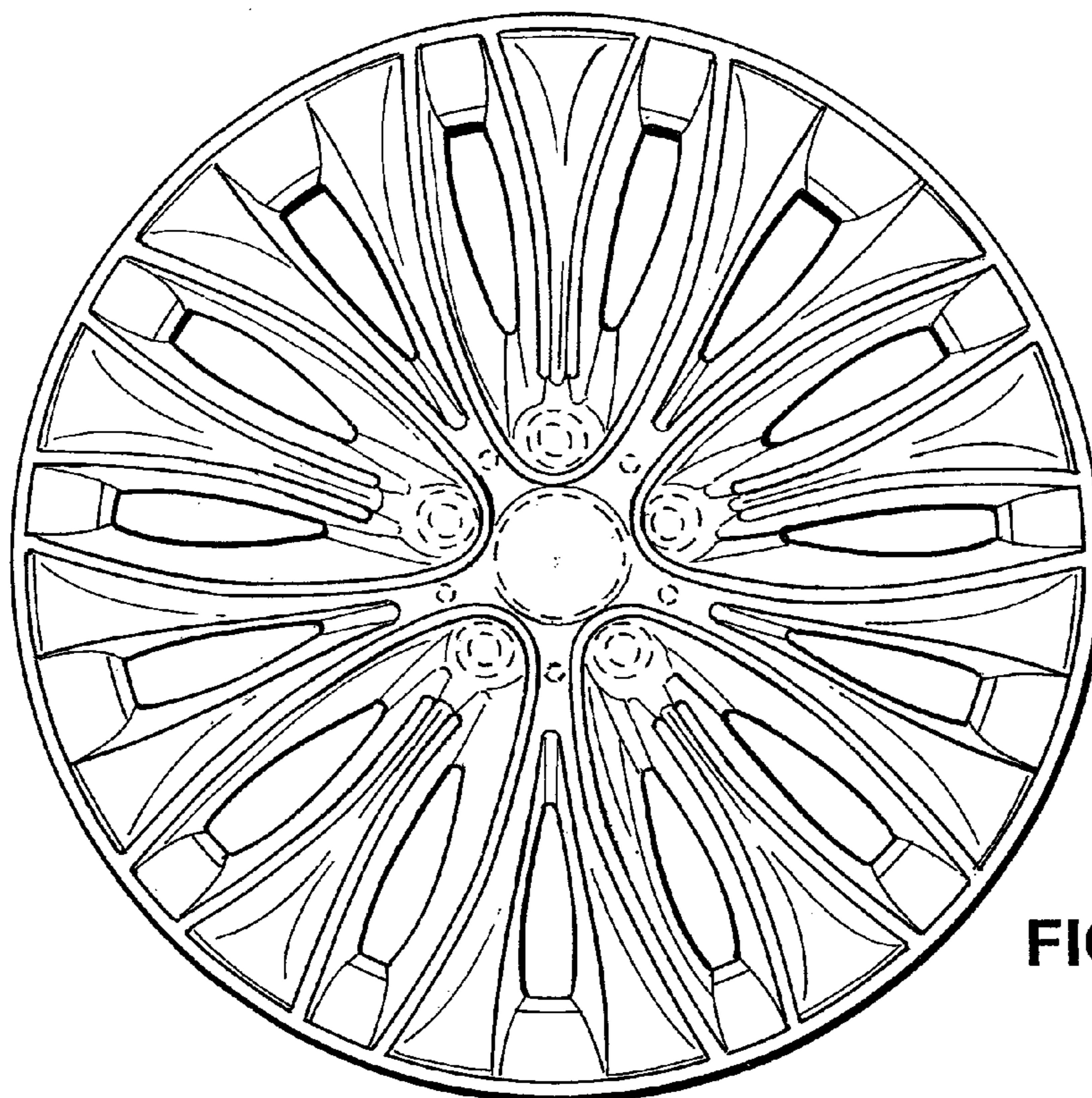


FIG. 1

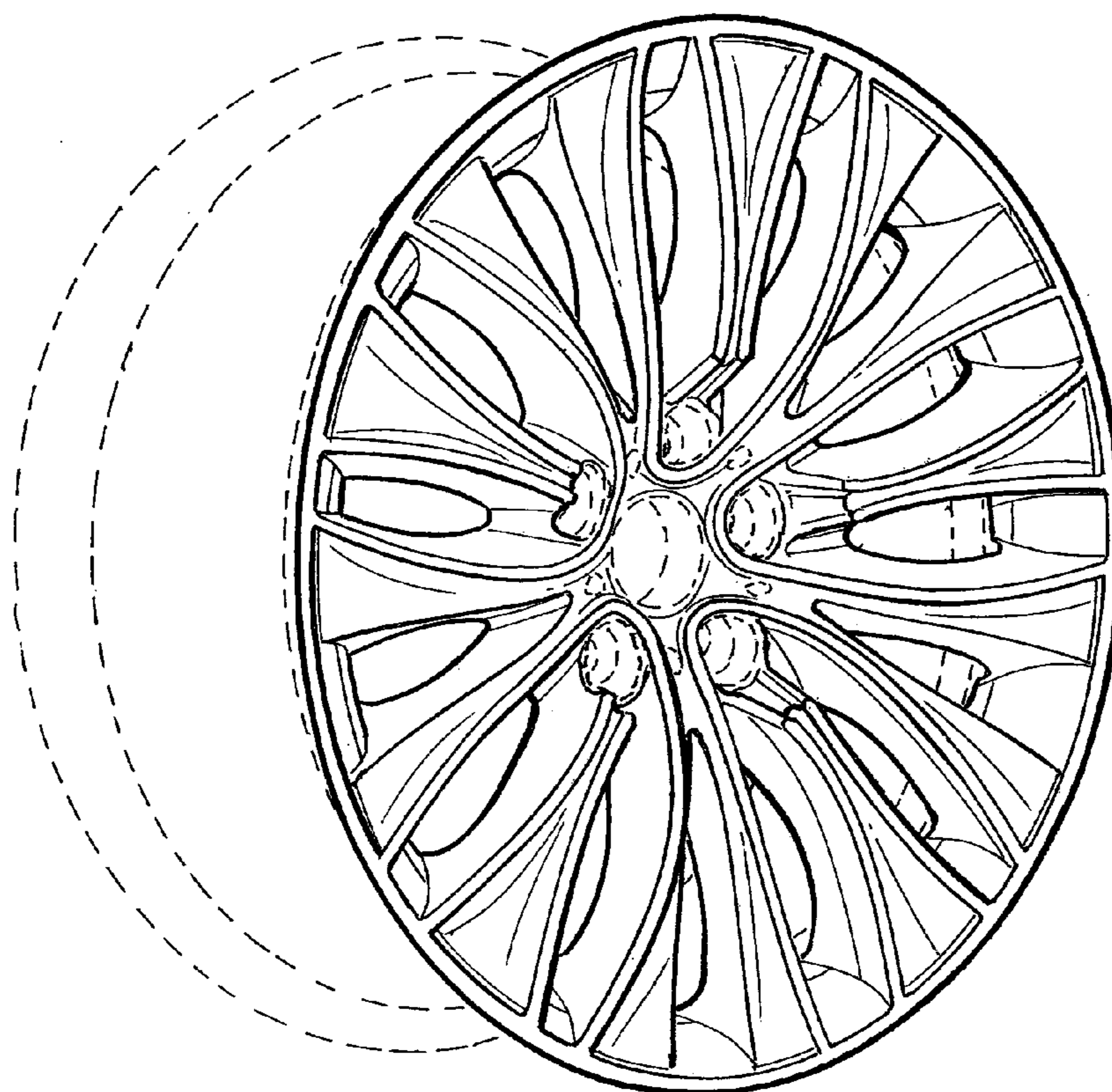


FIG. 2