



US00D683296S

(12) **United States Design Patent**
Tirado

(10) **Patent No.:** **US D683,296 S**

(45) **Date of Patent:** **** May 28, 2013**

(54) **FRONT FACE OF VEHICLE WHEEL**

(71) Applicant: **Diablo Racing Inc.**, Baldwin Park, CA
(US)

(72) Inventor: **Mark Tirado**, Huntington Beach, CA
(US)

(73) Assignee: **Diablo Racing Inc.**, Baldwin Park, CA
(US)

(**) Term: **14 Years**

(21) Appl. No.: **29/446,691**

(22) Filed: **Feb. 26, 2013**

(51) **LOC (9) Cl.** **12-16**

(52) **U.S. Cl.**
USPC **D12/209**

(58) **Field of Classification Search**
USPC D12/204–213; 301/37.101, 64.101,
301/65, 64.201

See application file for complete search history.

(56) **References Cited**

U.S. PATENT DOCUMENTS

D496,317 S * 9/2004 Kataoka D12/209
D500,003 S * 12/2004 Guevara D12/211
D512,949 S * 12/2005 Ettensberger D12/211

D536,655 S * 2/2007 Kim D12/211
D545,749 S * 7/2007 Young D12/211
D548,167 S * 8/2007 Groom D12/211
D573,082 S * 7/2008 Young D12/211
D591,663 S * 5/2009 Chung D12/211
D604,683 S * 11/2009 Hosai D12/209
D617,720 S * 6/2010 Zhao D12/211
D635,081 S * 3/2011 Tirado D12/211
D653,189 S * 1/2012 Zhao D12/211

* cited by examiner

Primary Examiner — Stacia Cadmus

(74) *Attorney, Agent, or Firm* — Christie, Parker & Hale, LLP

(57) **CLAIM**

The ornamental design for front face of vehicle wheel, as shown and described.

DESCRIPTION

FIG. 1 is a front perspective view of the front face of a vehicle wheel according to the present invention; and, FIG. 2 is a front elevational view thereof. The broken line showing of the rear of the rim is included for the purpose of illustrating environment and forms no part of the claimed design.

1 Claim, 2 Drawing Sheets

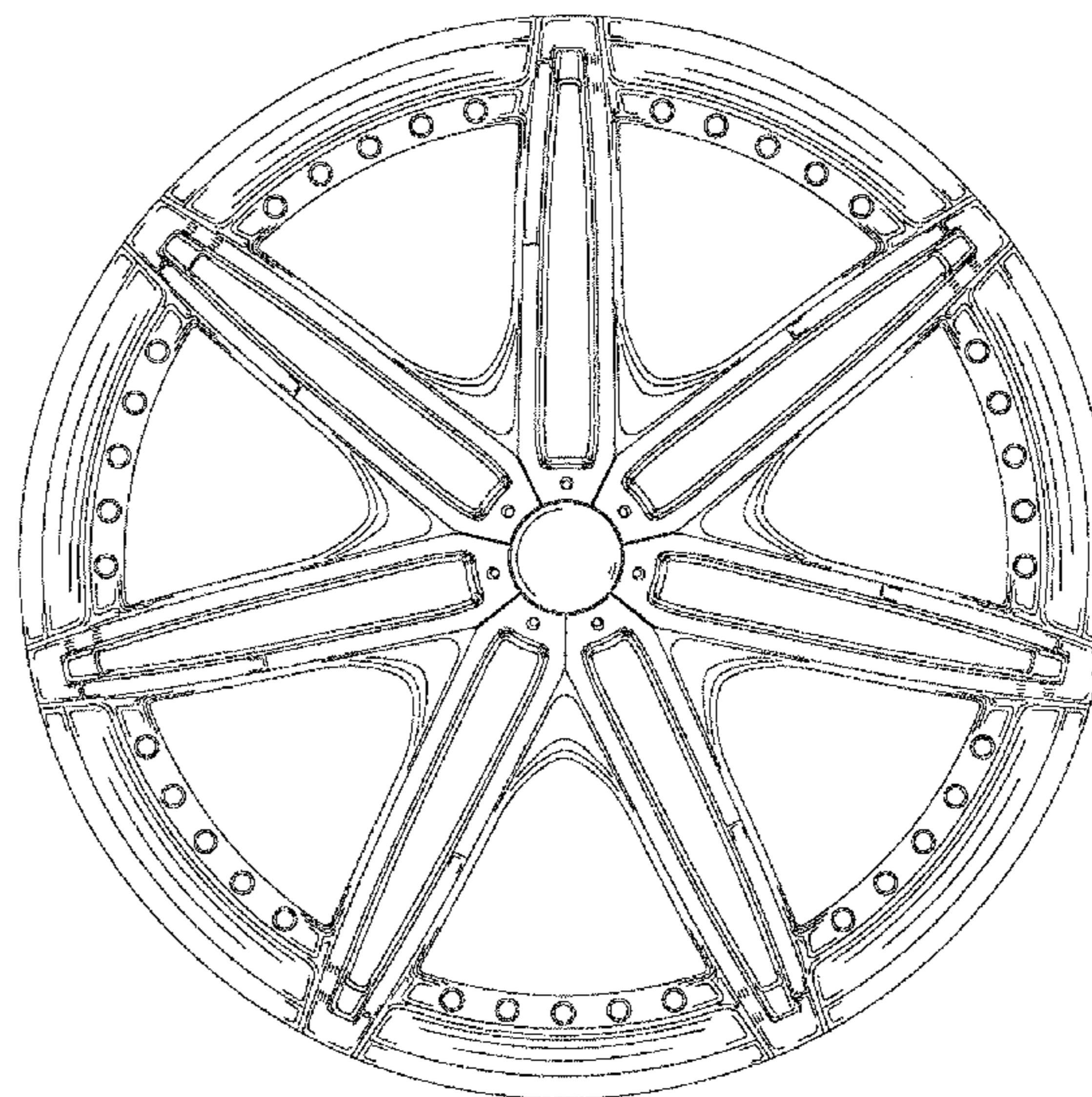
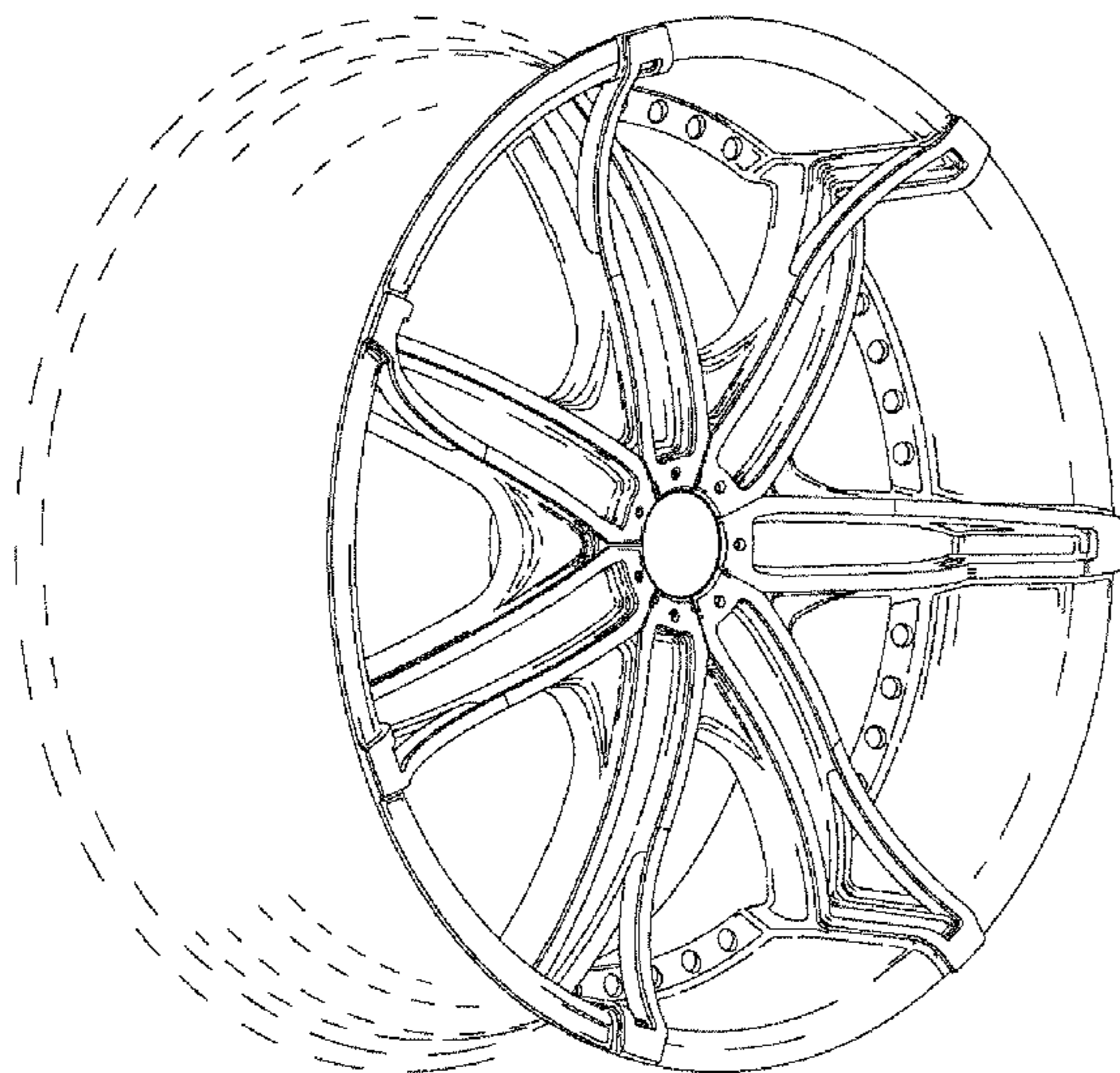


Fig. 1

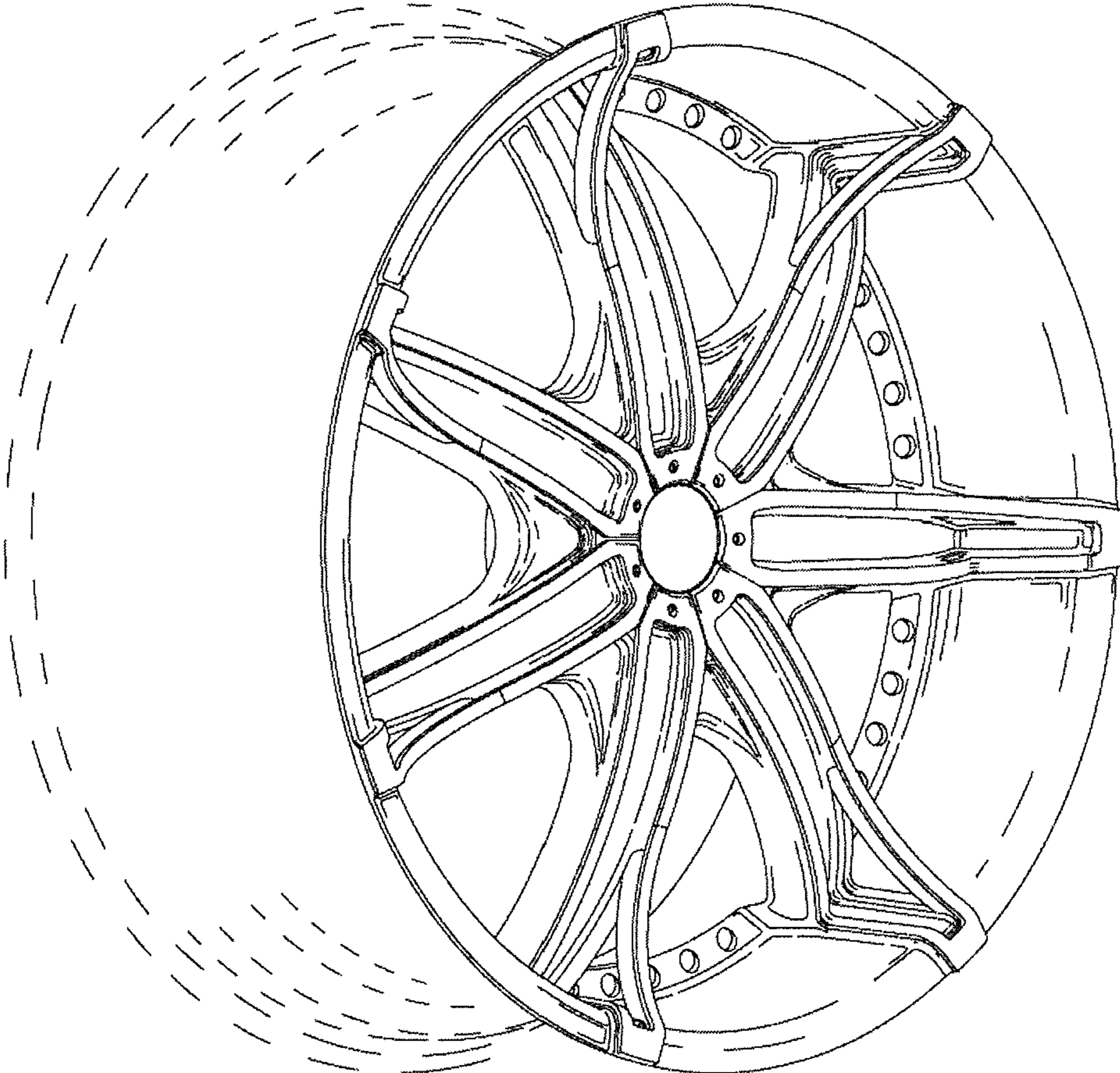


Fig. 2

