



US00D683295S

(12) **United States Design Patent**  
**Pollmann**

(10) **Patent No.:** **US D683,295 S**

(45) **Date of Patent:** **\*\* May 28, 2013**

(54) **WHEEL OR WHEEL COVER**

(71) Applicant: **Bayerische Motoren Werke  
Aktiengesellschaft, Munich (DE)**

(72) Inventor: **Gert Pollmann, Boehmfeld (DE)**

(73) Assignee: **Bayerische Motoren Werke  
Aktiengesellschaft, Munich (DE)**

(\*\*) Term: **14 Years**

(21) Appl. No.: **29/435,534**

(22) Filed: **Oct. 25, 2012**

(30) **Foreign Application Priority Data**

Apr. 26, 2012 (DE) ..... 40 2012 100 328

(51) **LOC (9) Cl.** ..... **12-16**

(52) **U.S. Cl.**  
USPC ..... **D12/209**

(58) **Field of Classification Search**  
USPC ..... D12/204–213; 301/37.101, 64.101,  
301/65, 64.201  
See application file for complete search history.

(56) **References Cited**

**U.S. PATENT DOCUMENTS**

D407,681 S *	4/1999	Sacco et al. ....	D12/209
D424,500 S *	5/2000	Johnson .....	D12/209
D470,093 S	2/2003	Frizzi	
D471,852 S *	3/2003	Pfeiffer et al. ....	D12/211
D479,177 S	9/2003	Nordmann	
D504,102 S *	4/2005	Cheng .....	D12/211
D507,775 S *	7/2005	Pfeiffer .....	D12/211
D513,726 S *	1/2006	Kamimura .....	D12/211
D515,494 S *	2/2006	Laengerer .....	D12/211
D516,490 S *	3/2006	Baer .....	D12/211

D538,730 S *	3/2007	Thurner .....	D12/209
D589,425 S	3/2009	Theiss	
D591,663 S *	5/2009	Chung .....	D12/211
D604,683 S *	11/2009	Hosai .....	D12/209
D617,248 S *	6/2010	Zhao .....	D12/209
D623,109 S *	9/2010	Markefka .....	D12/209
D625,239 S	10/2010	Juergens et al.	
D641,677 S *	7/2011	Weil .....	D12/209
D641,680 S *	7/2011	Laengerer .....	D12/211
D644,586 S	9/2011	Baum	
D658,560 S	5/2012	Thurner	
D659,065 S *	5/2012	Johnson .....	D12/209

**FOREIGN PATENT DOCUMENTS**

DE	40010998.0	3/2001
DE	40104441.6	9/2001
EM	000825609-0002	11/2009
EM	000936281-0001	11/2009
EM	001598277-0004	1/2010
EM	001772922-0008	8/2012
EM	001812504-0001	8/2012

\* cited by examiner

*Primary Examiner* — Stacia Cadmus

(74) *Attorney, Agent, or Firm* — Crowell & Moring LLP

(57) **CLAIM**

The ornamental design for a wheel or wheel cover, as shown and described.

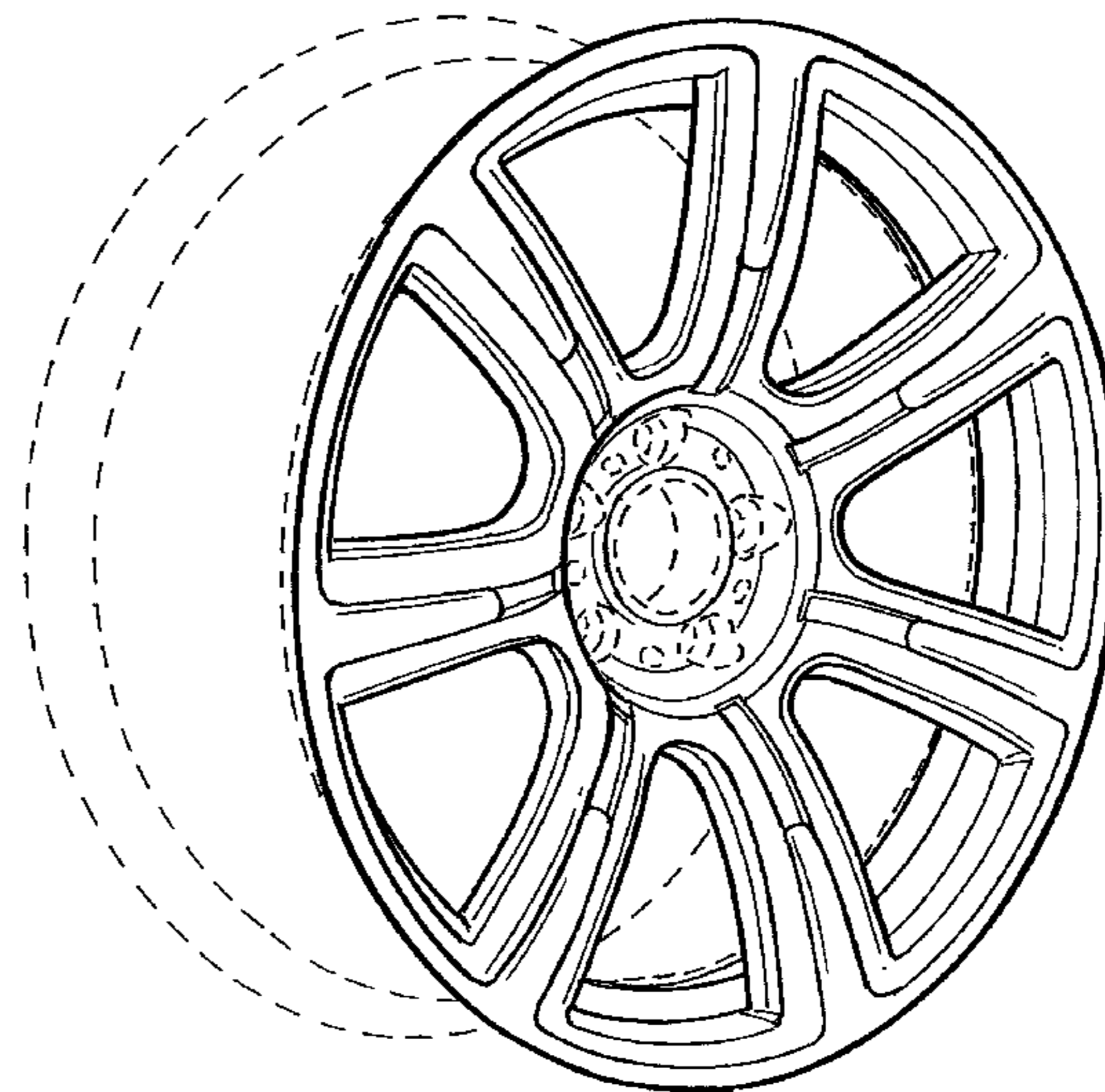
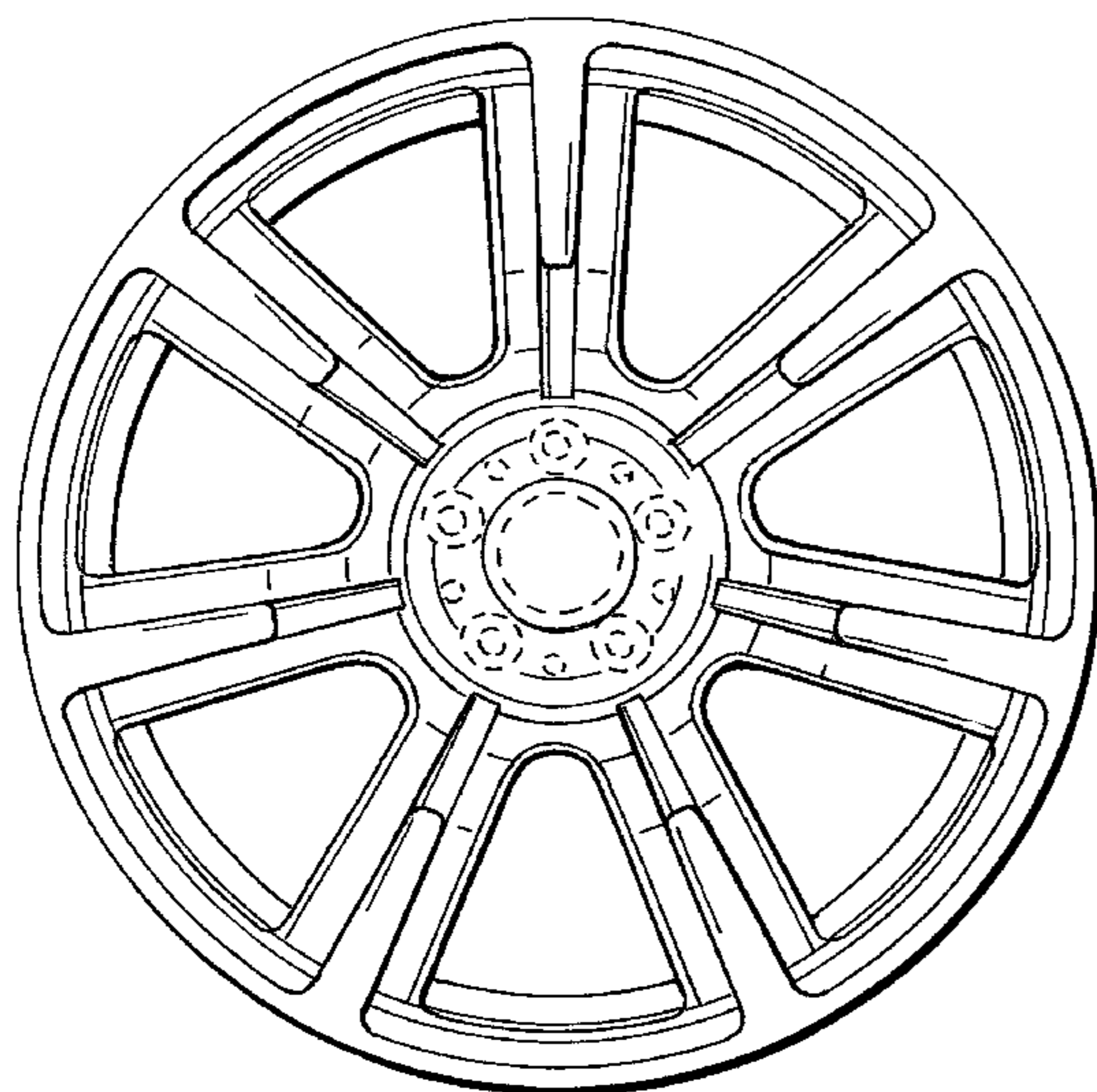
**DESCRIPTION**

FIG. 1 is a front view of a wheel or wheel cover according to my design; and,

FIG. 2 is a perspective view thereof.

The broken line showing of the rear of the wheel and the bolt holes and center opening in the central hub area is included for the purpose of illustrating environment and forms no part of the claimed design.

**1 Claim, 1 Drawing Sheet**



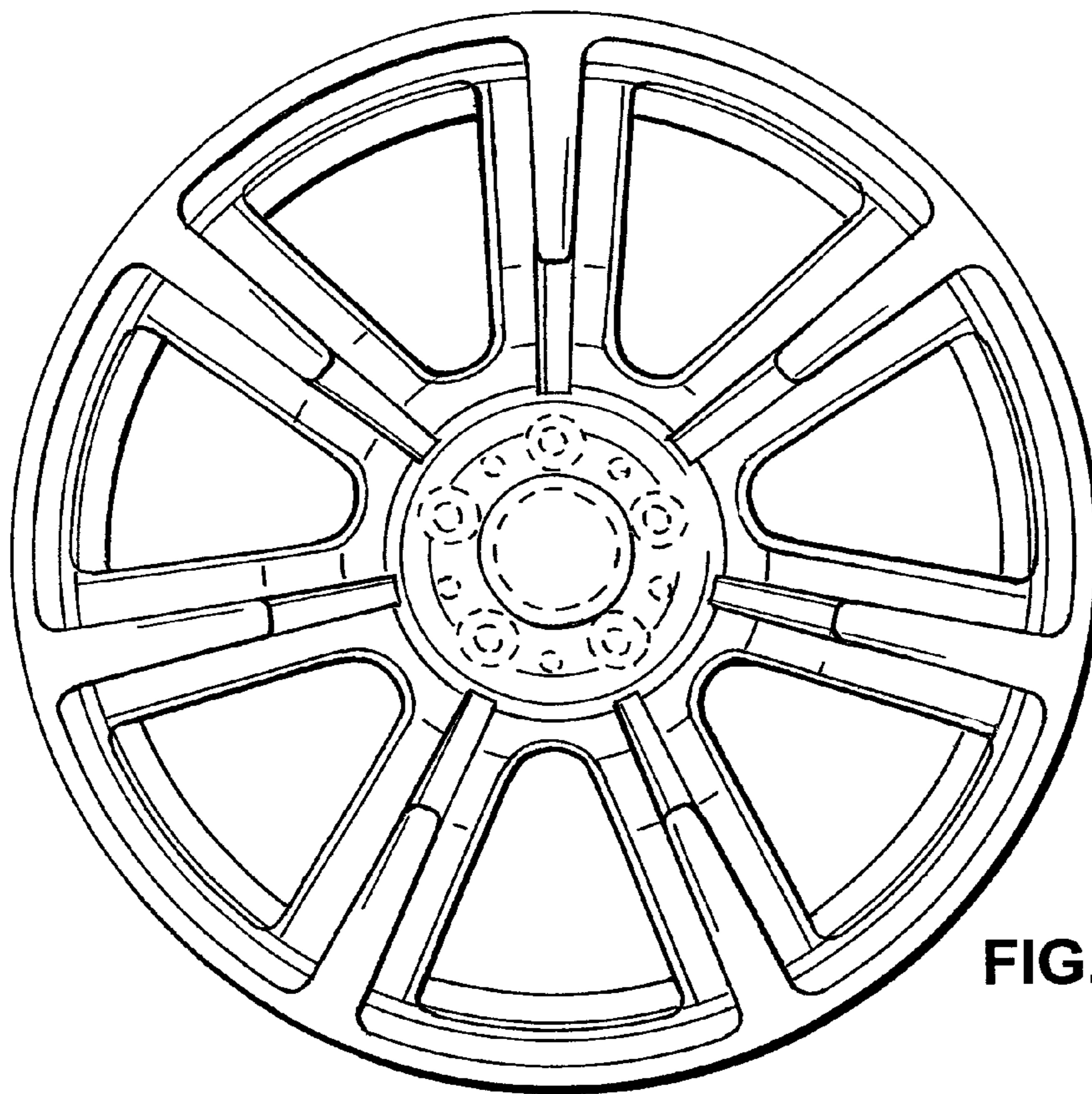


FIG. 1

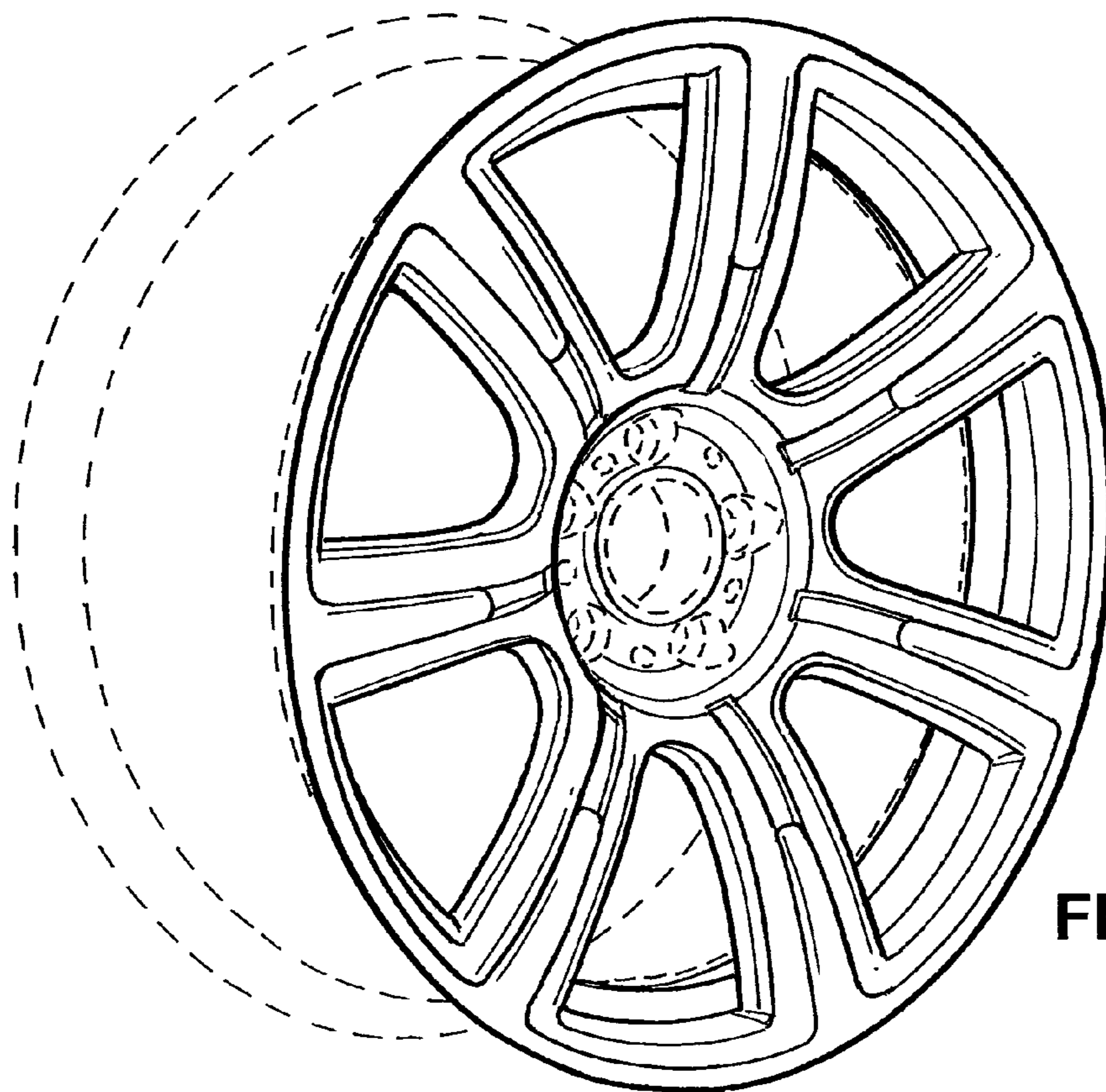


FIG. 2