



US00D683294S

(12) **United States Design Patent**
Pollmann

(10) **Patent No.:** **US D683,294 S**

(45) **Date of Patent:** **** May 28, 2013**

(54) **WHEEL OR WHEEL COVER**

(71) Applicant: **Bayerische Motoren Werke
Aktiengesellschaft, Munich (DE)**

(72) Inventor: **Gert Pollmann, Boehmfeld (DE)**

(73) Assignee: **Bayerische Motoren Werke
Aktiengesellschaft, Munich (DE)**

(**) Term: **14 Years**

(21) Appl. No.: **29/435,533**

(22) Filed: **Oct. 25, 2012**

(30) **Foreign Application Priority Data**

Apr. 26, 2012 (DE) 40 2012 100 328

(51) **LOC (9) Cl.** **12-16**

(52) **U.S. Cl.**
USPC **D12/209**

(58) **Field of Classification Search**
USPC D12/204–213; 301/37.101, 64.101,
301/65, 64.201
See application file for complete search history.

(56) **References Cited**

U.S. PATENT DOCUMENTS

D258,503 S *	3/1981	Semple	D12/211
D392,611 S *	3/1998	Echazabal et al.	D12/211
D451,463 S *	12/2001	Murkett et al.	D12/209
D456,333 S	4/2002	Pollmann		
D466,854 S *	12/2002	Kern	D12/211
D475,337 S *	6/2003	Kataoka	D12/209
D494,917 S *	8/2004	Pollmann	D12/211
D499,371 S *	12/2004	Koch	D12/211
D505,650 S *	5/2005	Tirado	D12/209
D513,727 S *	1/2006	Gallert	D12/211
D566,642 S *	4/2008	Scheu	D12/211
D568,800 S *	5/2008	Huet	D12/211
D583,739 S *	12/2008	Gallert	D12/209

D589,425 S	3/2009	Theiss		
D593,019 S *	5/2009	Tirado	D12/209
D617,716 S *	6/2010	Lamm et al.	D12/211
D623,109 S	9/2010	Markefka		
D624,862 S *	10/2010	Zhao	D12/209
D638,768 S	5/2011	Nissl		
D643,795 S *	8/2011	Nissl	D12/211
D658,560 S	5/2012	Thurner		
D663,249 S *	7/2012	Zhang	D12/211
D666,953 S	9/2012	Pollmann		
D670,635 S	11/2012	Pollmann		
D671,472 S *	11/2012	Pollmann	D12/209
D671,480 S	11/2012	Cepkova		

FOREIGN PATENT DOCUMENTS

DE	40010998.0	3/2001
EM	000825609-0002	11/2009
EM	001558883-0006	4/2010
EM	002016113-0009	3/2012
EM	002016113-0018	3/2012
EM	002016113-0019	3/2012
EM	001772922-0016	8/2012
EM	001812504-0001	8/2012
EM	001846346-0005	8/2012

* cited by examiner

Primary Examiner — Stacia Cadmus

(74) *Attorney, Agent, or Firm* — Crowell & Moring LLP

(57) **CLAIM**

The ornamental design for a wheel or wheel cover, as shown and described.

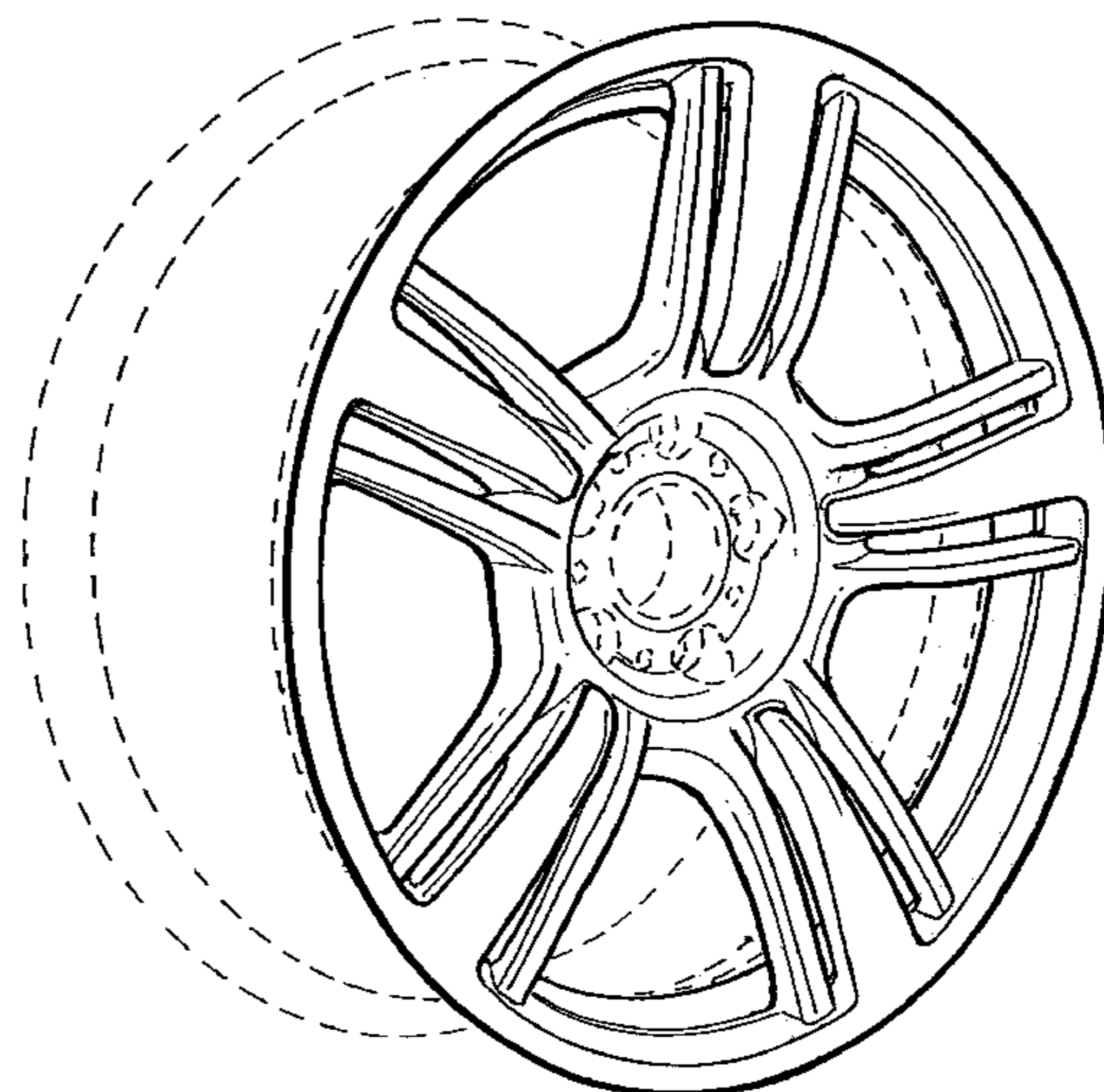
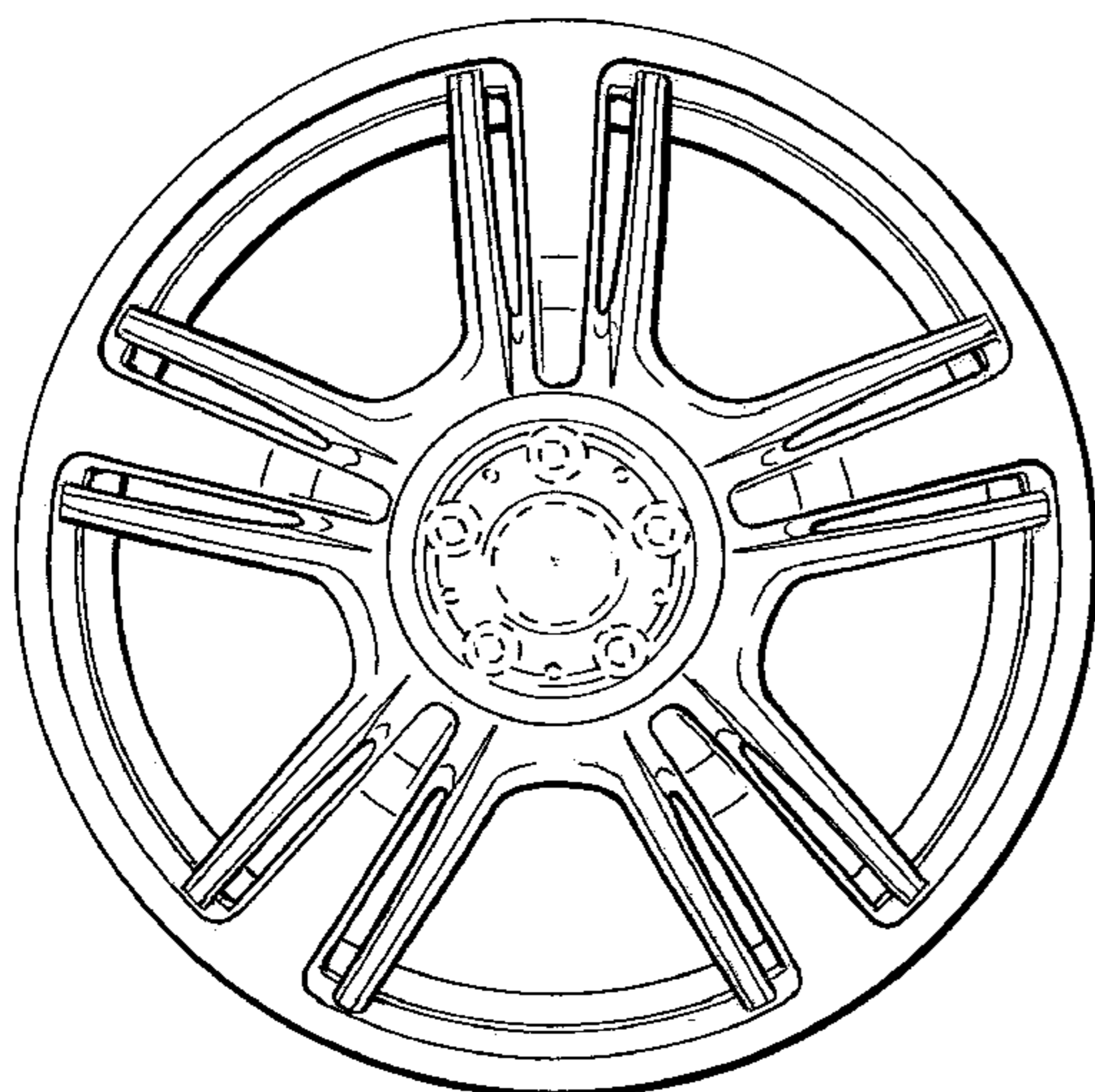
DESCRIPTION

FIG. 1 is a front view of a wheel or wheel cover according to my design; and,

FIG. 2 is a perspective view thereof.

The broken line showing of the rear of the wheel and the bolt holes and center opening in the central hub area is included for the purpose of illustrating environment and forms no part of the claimed design.

1 Claim, 1 Drawing Sheet



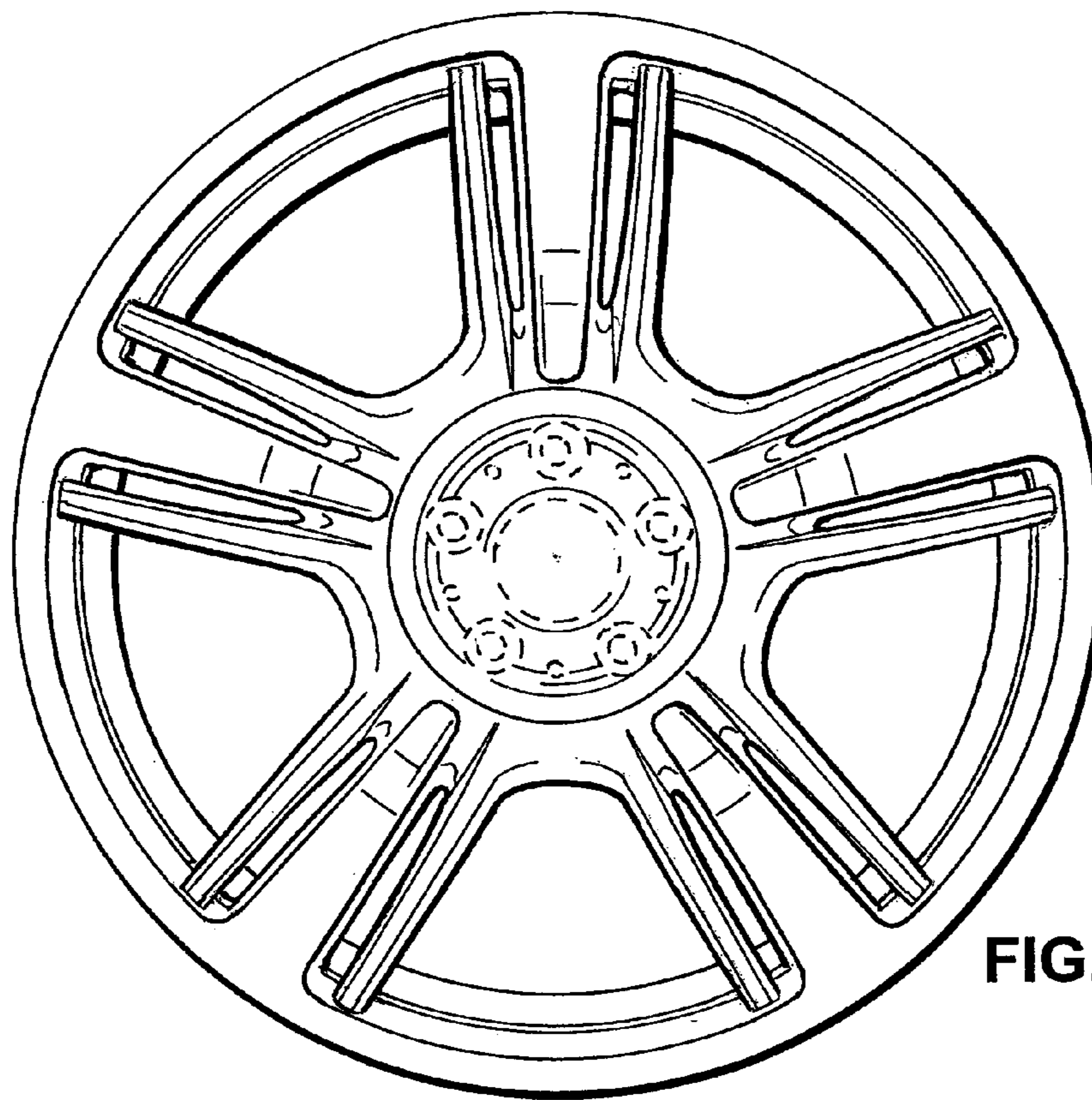


FIG. 1

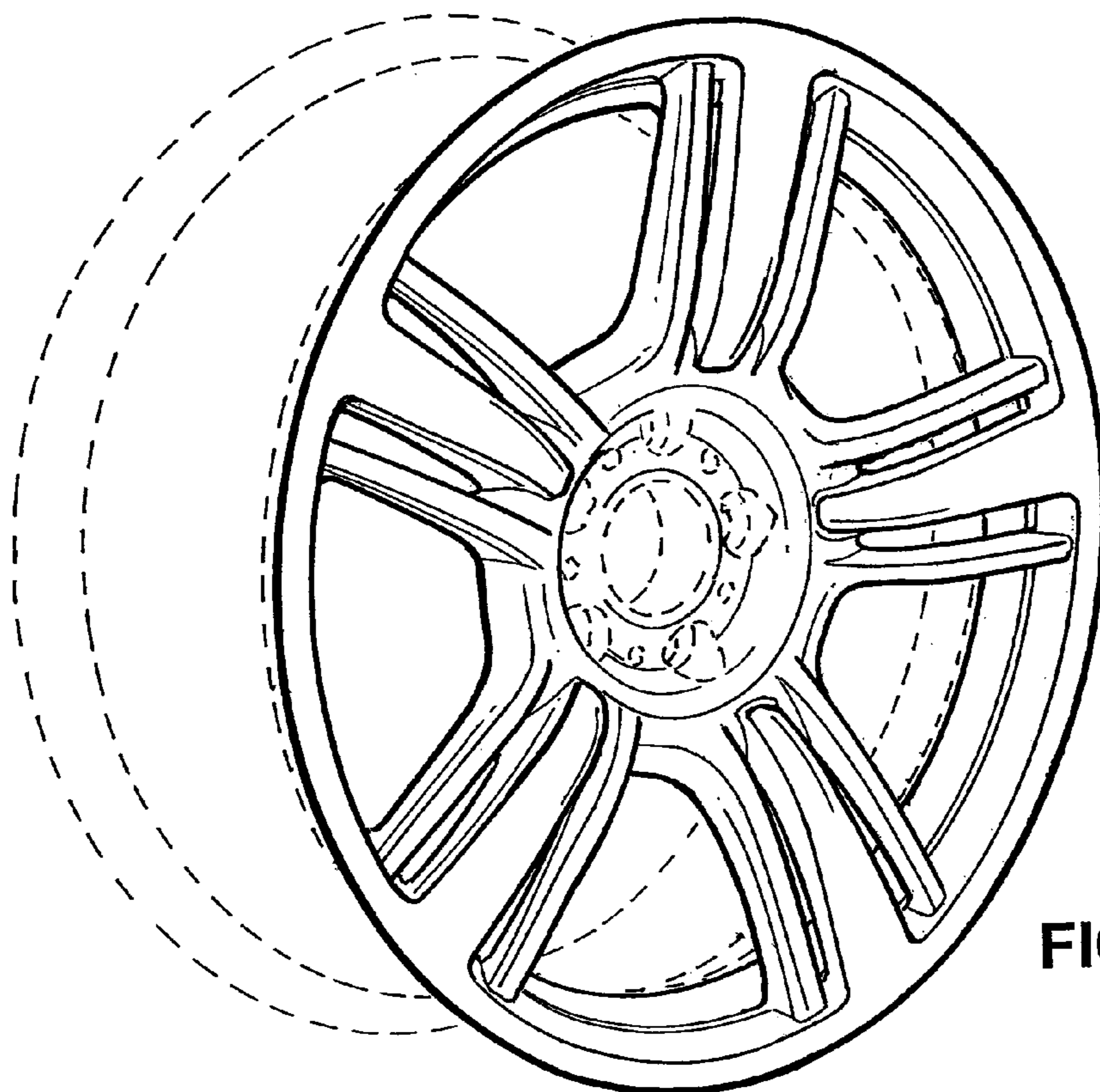


FIG. 2