



US00D683290S

(12) **United States Design Patent**
Sanchez

(10) **Patent No.:** **US D683,290 S**
(45) **Date of Patent:** **** May 28, 2013**

(54) **ADD-ON HINGED SUN VISOR**

(76) **Inventor:** **Luis Felipe Sanchez**, Los Angeles, CA
(US)

(**) **Term:** **14 Years**

(21) **Appl. No.:** **29/414,785**

(22) **Filed:** **Mar. 2, 2012**

(51) **LOC (9) Cl.** **12-16**

(52) **U.S. Cl.**
USPC **D12/191**

(58) **Field of Classification Search**
USPC D12/191, 181, 184-185, 106, 417,
D12/311-312; 296/97.1-97.8, 180.1;
160/370.21-370.23
See application file for complete search history.

(56) **References Cited**

U.S. PATENT DOCUMENTS

3,948,554 A 4/1976 Barbee
4,950,021 A 8/1990 Vandagriff
5,954,386 A 9/1999 Thomas
D431,805 S * 10/2000 Baltazar D12/191

6,402,221 B1 6/2002 Ogunjobi
D658,569 S * 5/2012 Horton D12/417
2008/0217951 A1 * 9/2008 Aspel 296/97.8
2008/0315616 A1 * 12/2008 Wang 296/97.6
2011/0001332 A1 * 1/2011 Weber 296/97.6
2011/0254309 A1 * 10/2011 Visagie 296/97.6

* cited by examiner

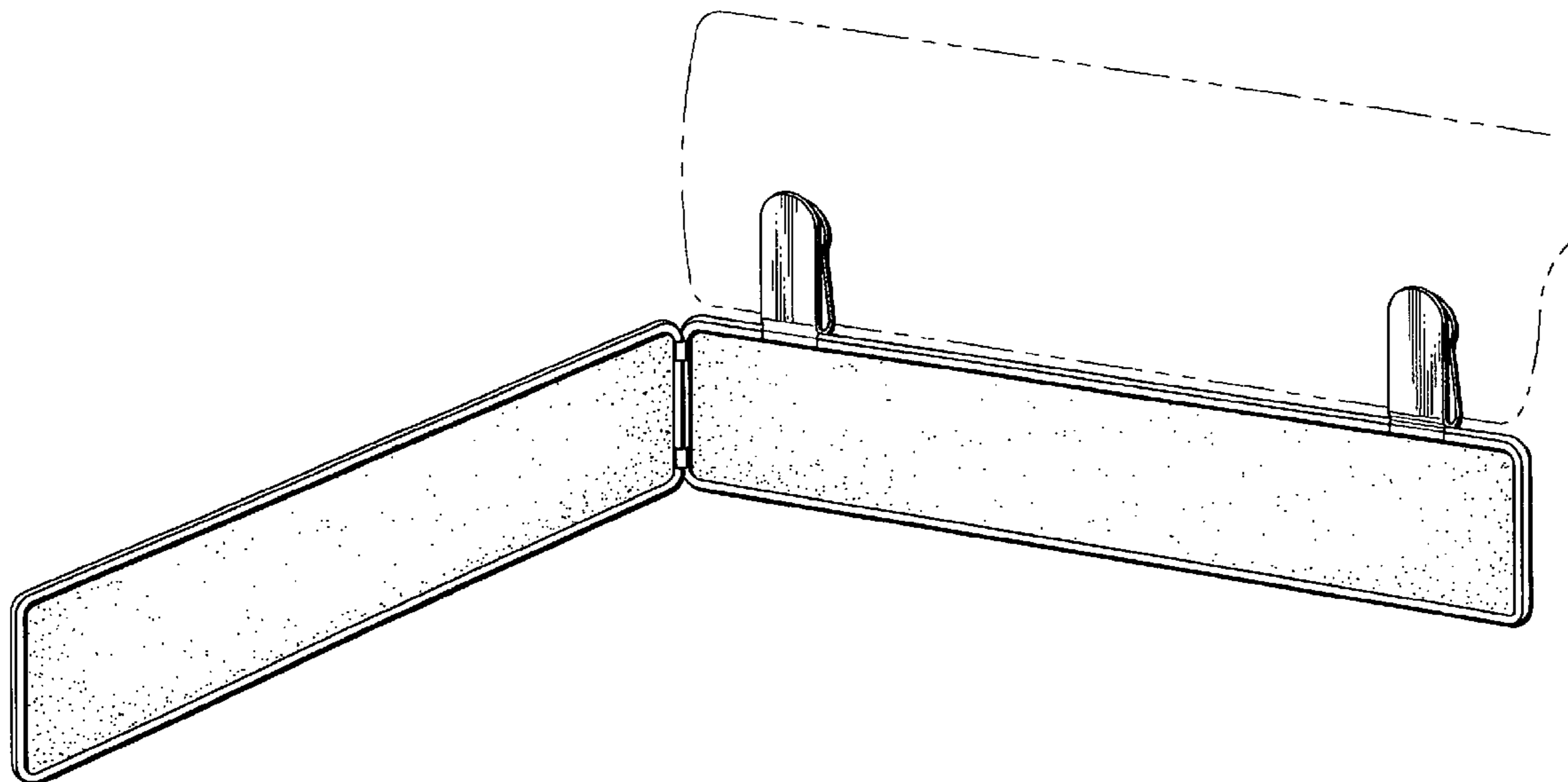
Primary Examiner — Katrina A Betton
(74) *Attorney, Agent, or Firm* — RG Patent Consulting LLC;
Rachel Gilboy

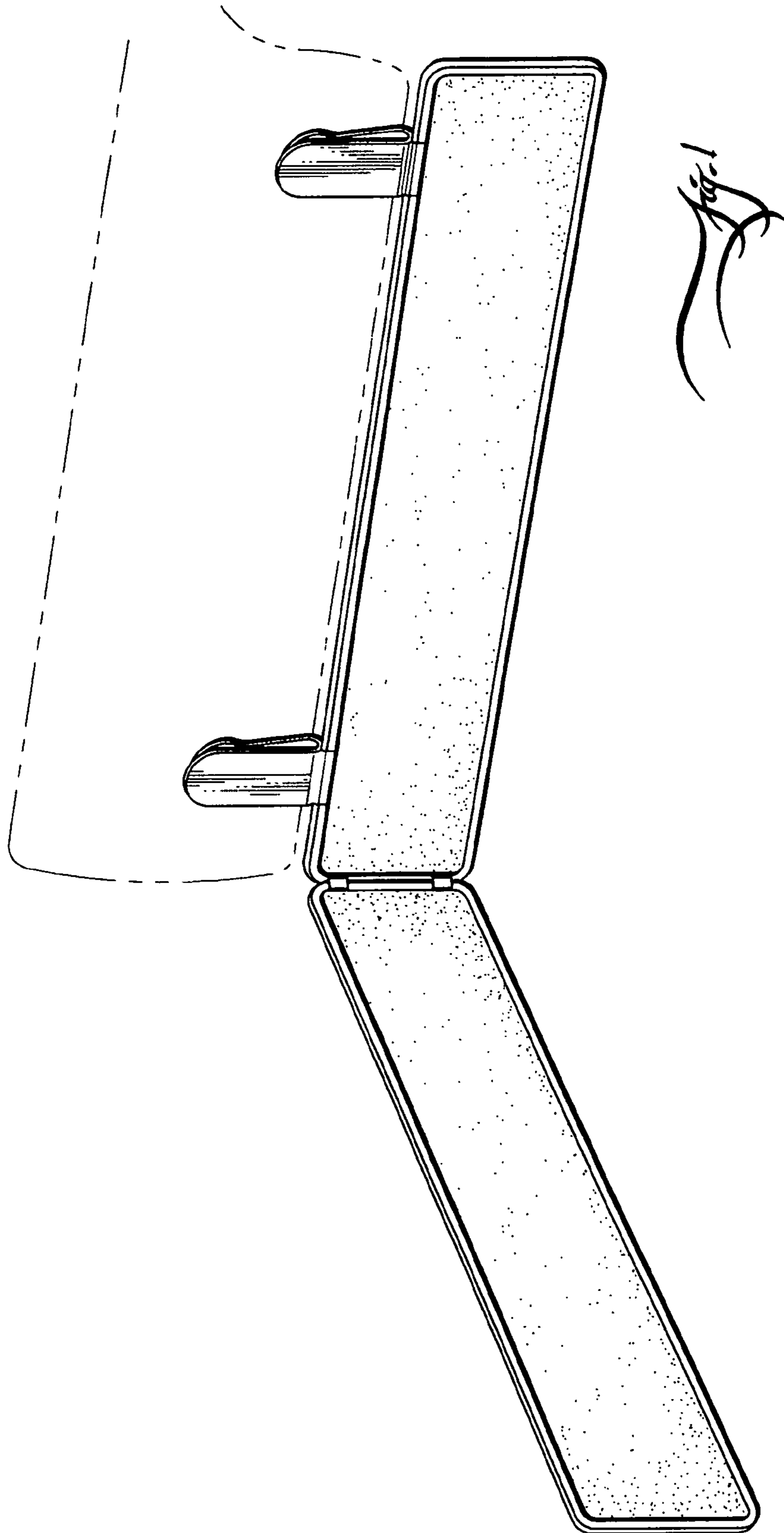
(57) **CLAIM**
I claim the ornamental design for an add-on hinged sunvisor,
as shown and described.

DESCRIPTION

FIG. 1 is a front, top and side perspective view of the add-on hinged sunvisor embodying the design of the present invention, the sunvisor being shown in dotted lines to indicate that it is not part of the invention.
FIG. 2 is a front elevational view thereof.
FIG. 3 is a rear elevational view thereof.
FIG. 4 is a top plan view thereof.
FIG. 5 is a side elevational view thereof.
FIG. 6 is a side elevational view thereof; and,
FIG. 7 is a bottom plan view thereof.

1 Claim, 4 Drawing Sheets





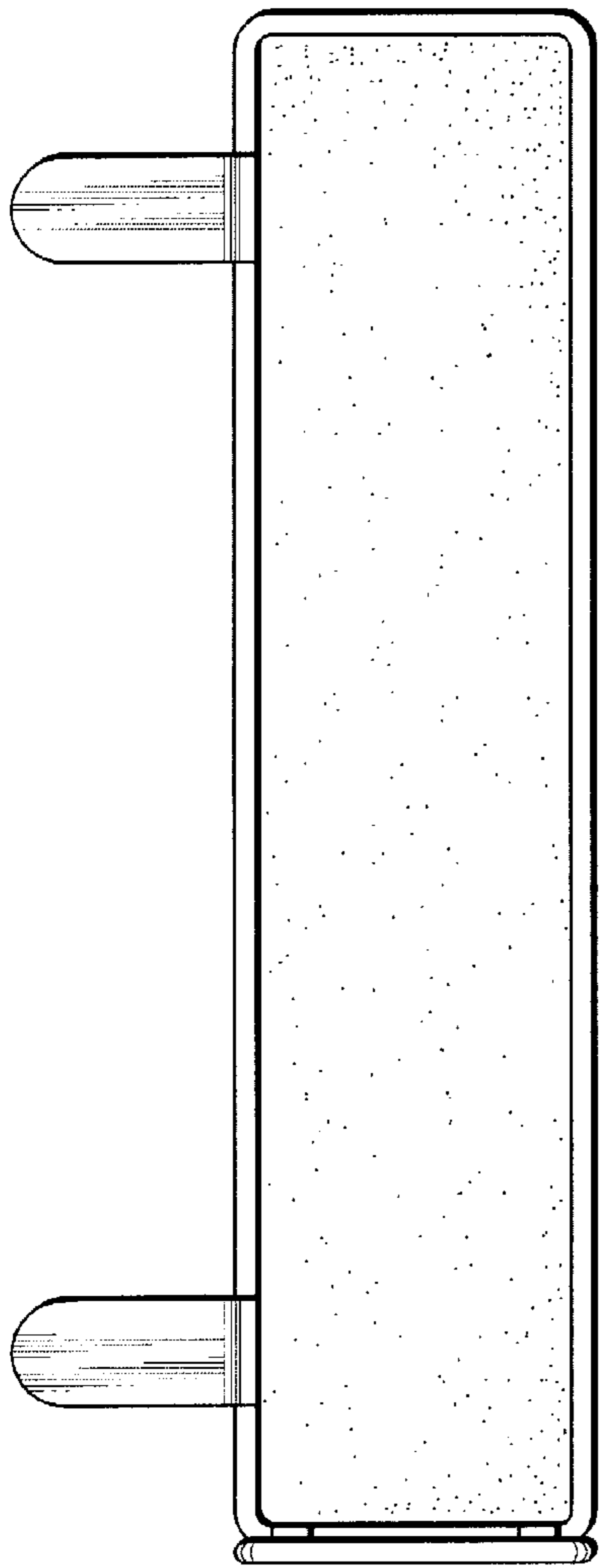


Fig. 2

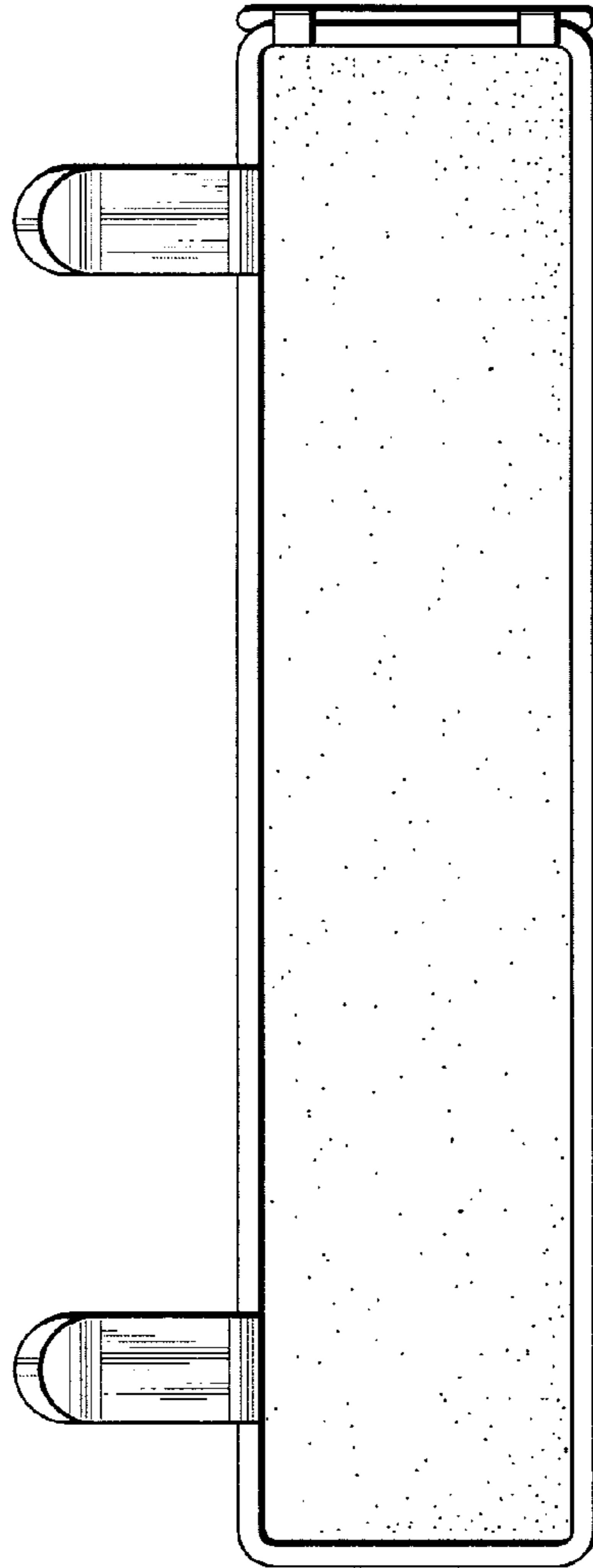


Fig. 3

