



US00D683287S

(12) **United States Design Patent**  
**Yoshida et al.**

(10) **Patent No.:** **US D683,287 S**  
(45) **Date of Patent:** **\*\* May 28, 2013**

(54) **HOOD FOR AUTOMOBILE**

(75) Inventors: **Minoru Yoshida**, Kanagawa-ken (JP);  
**Hiroshi Kawano**, Kanagawa-ken (JP);  
**Masanobu Ino**, Kanagawa-ken (JP);  
**Patrick Reimer**, London (GB); **Marc Cogswell**, San Diego, CA (US)

(73) Assignee: **Nissan Jidosha Kabushiki Kaisha**,  
Kanagawa (JP)

(\*\*) Term: **14 Years**

(21) Appl. No.: **29/414,240**

(22) Filed: **Feb. 27, 2012**

(30) **Foreign Application Priority Data**

Dec. 21, 2011 (JP) ..... 2011-029574

(51) **LOC (9) Cl.** ..... **12-16**

(52) **U.S. Cl.**  
USPC ..... **D12/173**

(58) **Field of Classification Search** ..... D12/173,  
D12/196, 86, 90-92, 181; 180/69.21, 69.2,  
180/69.22

See application file for complete search history.

(56) **References Cited**

U.S. PATENT DOCUMENTS

D560,577	S	*	1/2008	Okamoto et al.	.....	D12/173
D607,792	S	*	1/2010	Weil	.....	D12/173
D639,216	S	*	6/2011	Faghihzadeh	.....	D12/173
D651,144	S	*	12/2011	Okumoto et al.	.....	D12/173
D659,612	S	*	5/2012	Matsumoto et al.	.....	D12/173
D662,013	S	*	6/2012	Hakamata et al.	.....	D12/173
D666,540	S	*	9/2012	Karras et al.	.....	D12/173

\* cited by examiner

*Primary Examiner* — Melody Brown

(74) *Attorney, Agent, or Firm* — Fross Zelnick Lehrman &  
Zissu, P.C.; Charles T. J. Weigell, Esq.

(57) **CLAIM**

The ornamental design for a hood for automobile, as shown and described.

**DESCRIPTION**

FIG. 1 is a perspective view of a hood for automobile showing our new design;

FIG. 2 is a front view thereof;

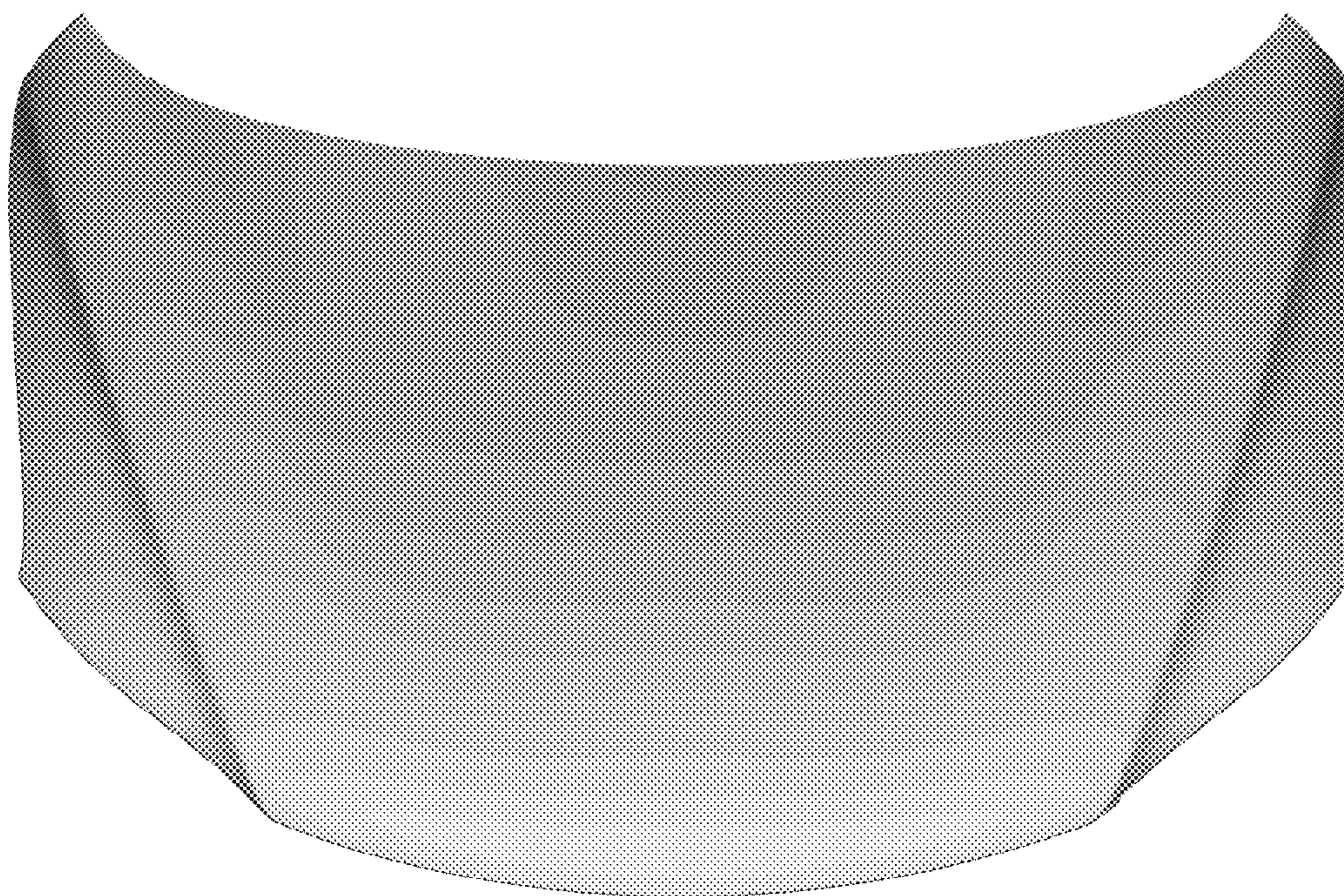
FIG. 3 is a left side view thereof;

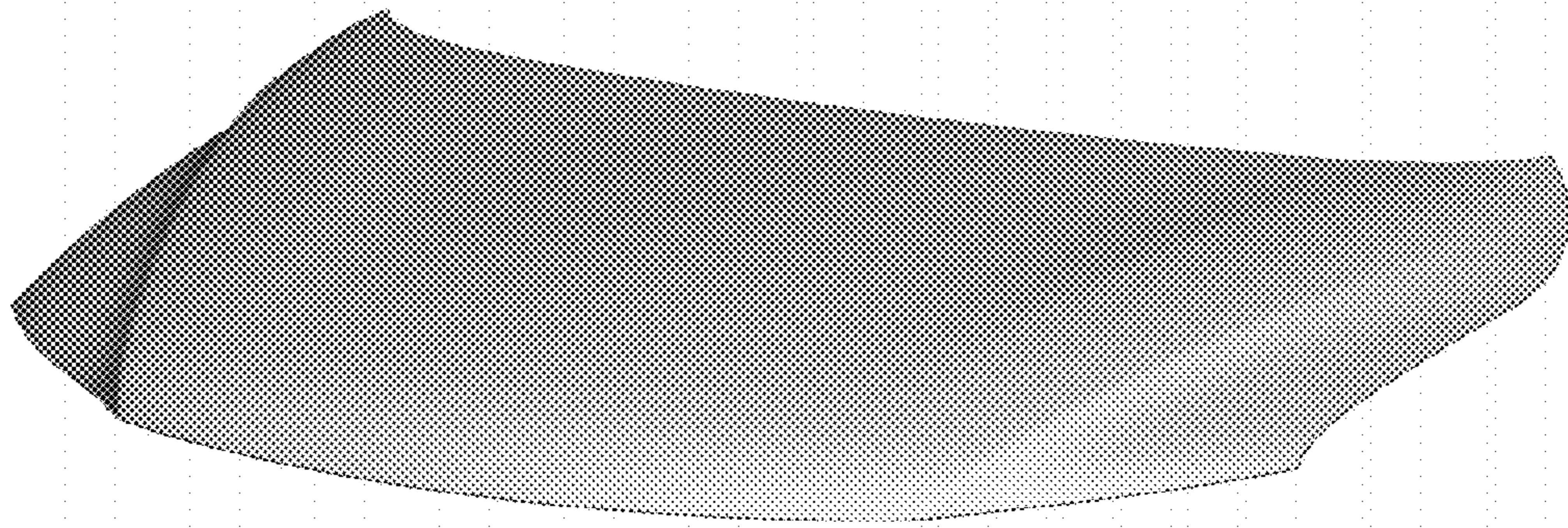
FIG. 4 is a right side view thereof; and,

FIG. 5 is a top view thereof.

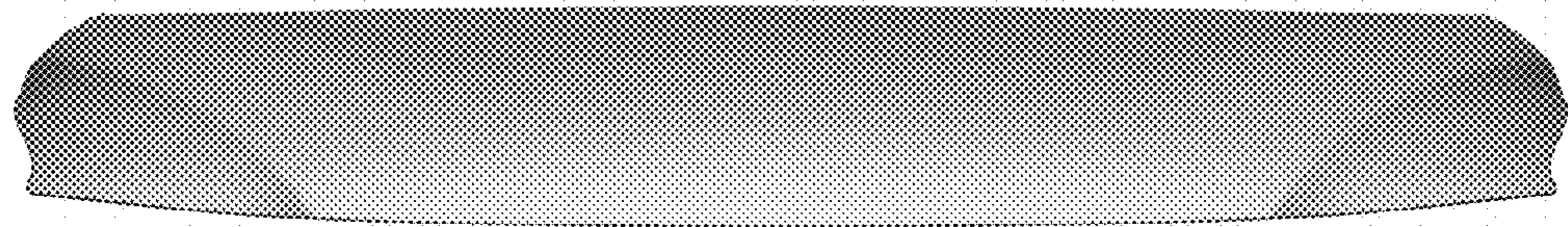
Bottom view and rear view form no part of the claimed portion of the design.

**1 Claim, 2 Drawing Sheets**

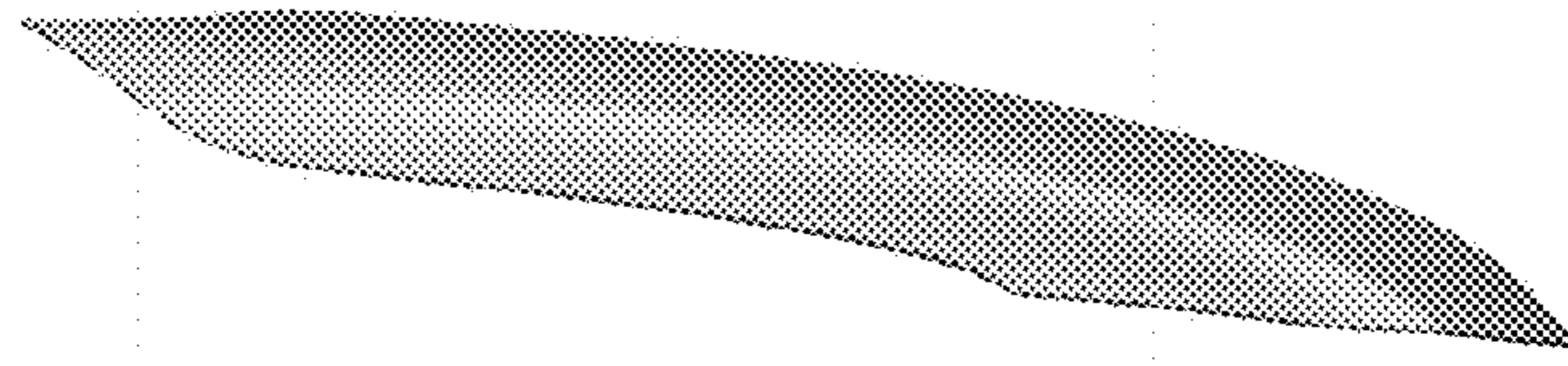




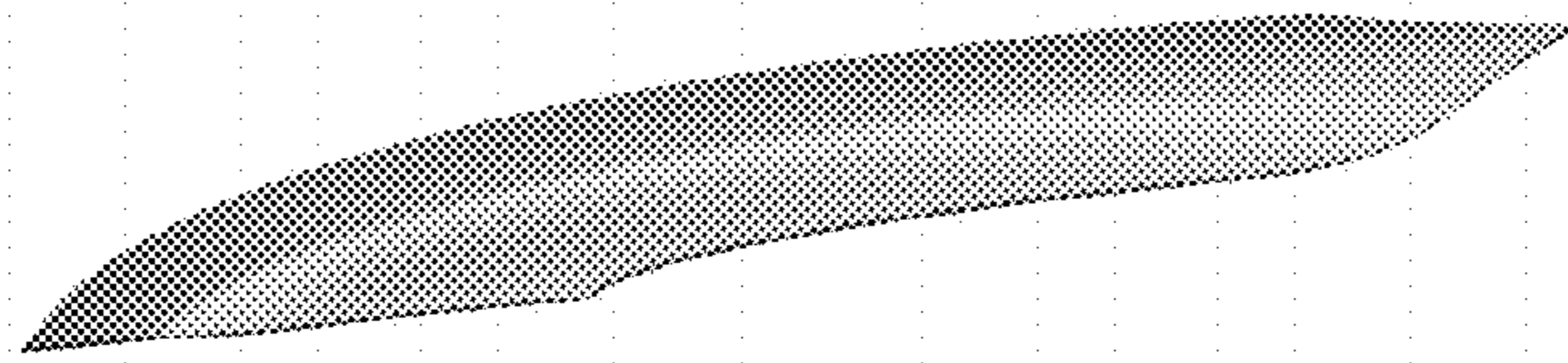
*FIG. 1*



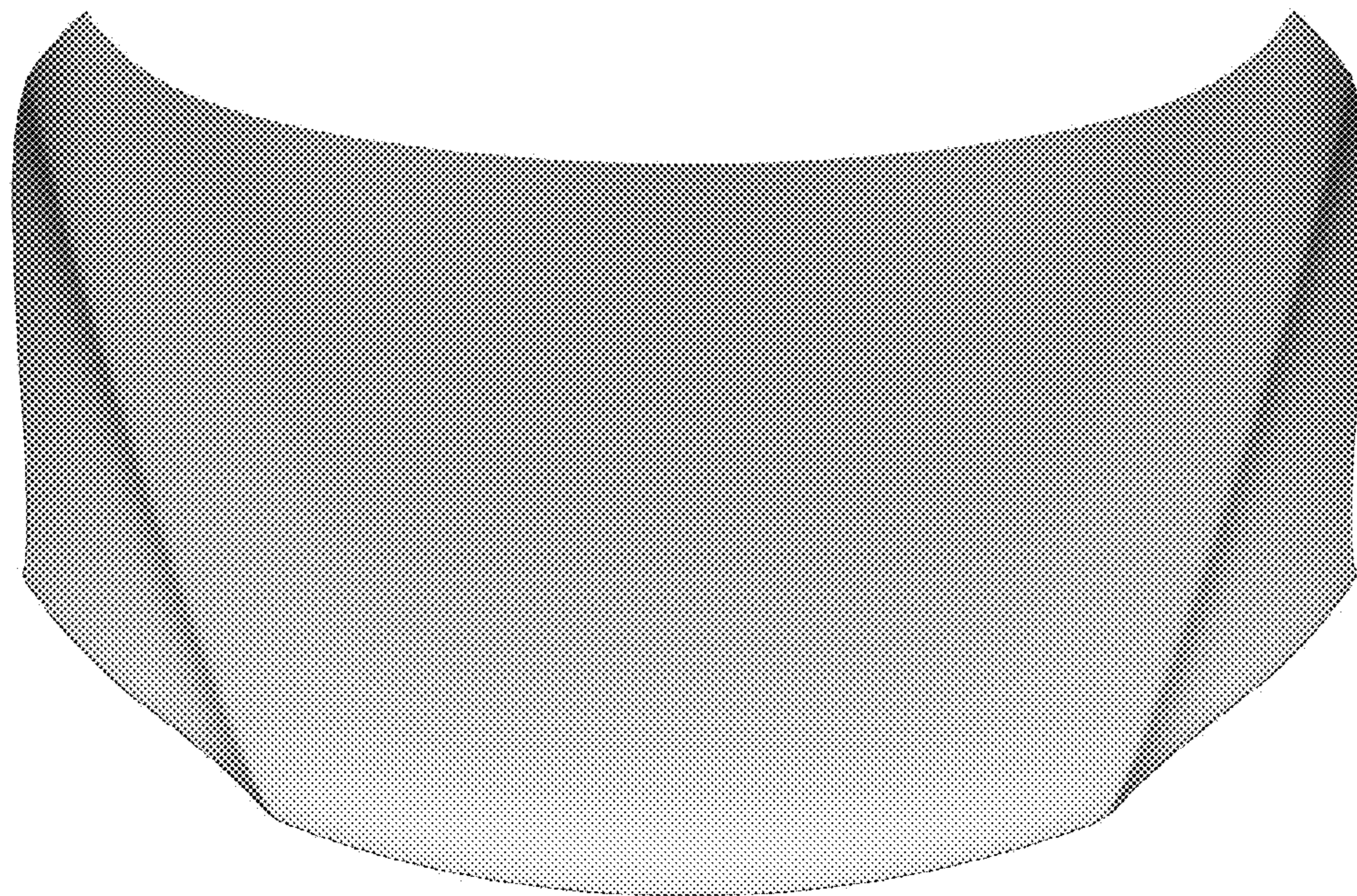
*FIG. 2*



*FIG. 3*



*FIG. 4*



*FIG. 5*