



US00D683284S

(12) **United States Design Patent**
Yoshida et al.

(10) **Patent No.:** **US D683,284 S**
(45) **Date of Patent:** **** May 28, 2013**

(54) **FRONT BUMPER FOR AUTOMOBILE**

(75) Inventors: **Minoru Yoshida**, Kanagawa-ken (JP);
Hiroshi Kawano, Kanagawa-ken (JP);
Masanobu Ino, Kanagawa-ken (JP);
Patrick Reimer, London (GB); **Marc Cogswell**, San Diego, CA (US)

(73) Assignee: **Nissan Jidosha Kabushiki Kaisha**,
Kanagawa (JP)

(**) Term: **14 Years**

(21) Appl. No.: **29/414,231**

(22) Filed: **Feb. 27, 2012**

(30) **Foreign Application Priority Data**

Dec. 21, 2011 (JP) 2011-029572

(51) **LOC (9) Cl.** **12-16**

(52) **U.S. Cl.**
USPC **D12/169**

(58) **Field of Classification Search** D12/169,
D12/196, 171, 216, 163, 86, 90-92; 293/102,
293/113, 115, 117, 120; 296/180.1, 180.2
See application file for complete search history.

(56) **References Cited**

U.S. PATENT DOCUMENTS

D525,922 S * 8/2006 Taguchi et al. D12/169
D583,728 S * 12/2008 Tonello D12/169

D584,201 S * 1/2009 Kamimura D12/169
D620,850 S * 8/2010 Sakae et al. D12/169
D626,041 S * 10/2010 Yamazaki et al. D12/169
D627,277 S * 11/2010 Cogswell D12/169
D630,980 S * 1/2011 Sperling et al. D12/169
D634,680 S * 3/2011 Iida D12/169
D634,681 S * 3/2011 Hirabayashi D12/169
D661,232 S * 6/2012 Okumoto et al. D12/169
D668,593 S * 10/2012 Imai et al. D12/169
D670,216 S * 11/2012 Watanabe D12/169
D678,138 S * 3/2013 Aikawa et al. D12/169

* cited by examiner

Primary Examiner — Melody Brown

(74) *Attorney, Agent, or Firm* — Fross Zelnick Lehrman &
Zissu, P.C.; Charles T. J. Weigell, Esq.

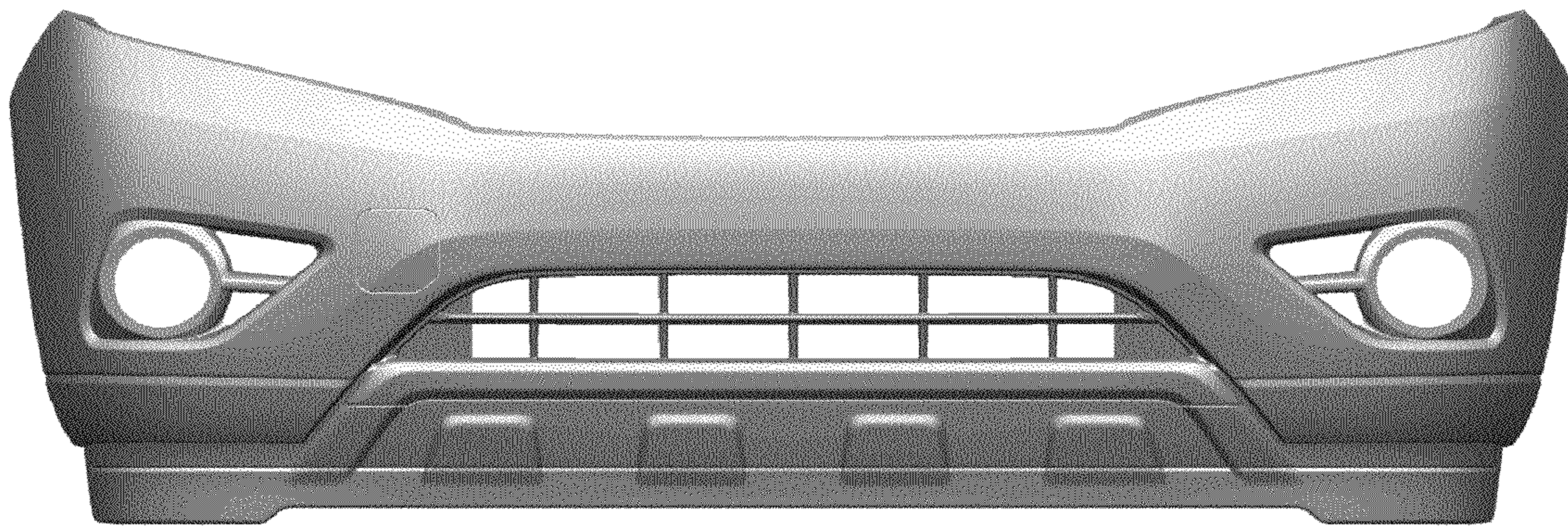
(57) **CLAIM**

The ornamental design for a front bumper for automobile, as shown and described.

DESCRIPTION

FIG. 1 is a perspective view of a front bumper for automobile showing our new design;
FIG. 2 is a perspective view thereof;
FIG. 3 is a front view thereof;
FIG. 4 is a left side view thereof;
FIG. 5 is a right side view thereof;
FIG. 6 is a top view thereof; and,
FIG. 7 is a bottom view thereof.
Rear view forms no part of the claimed portion of the design.

1 Claim, 3 Drawing Sheets



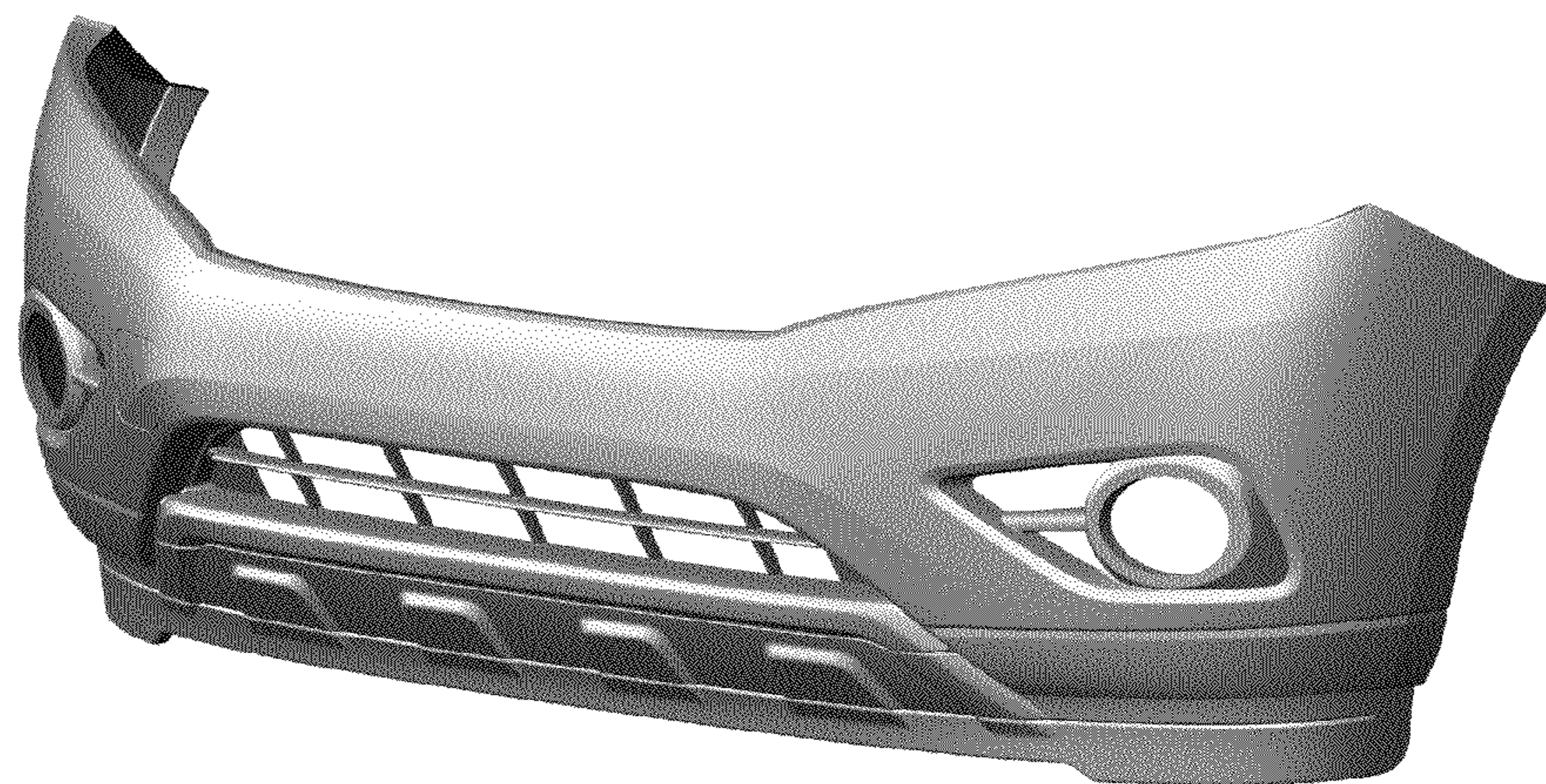


FIG. 1

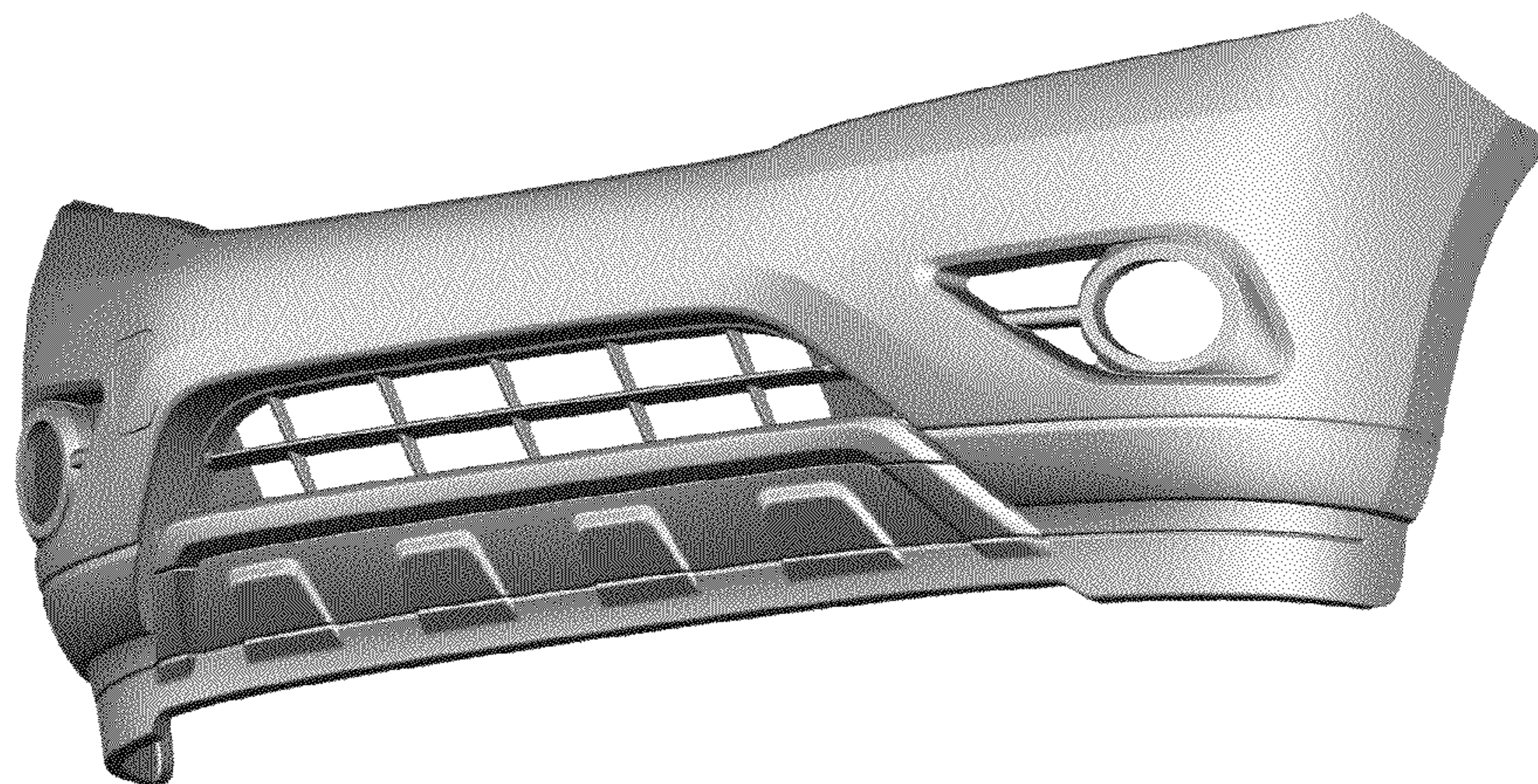


FIG. 2

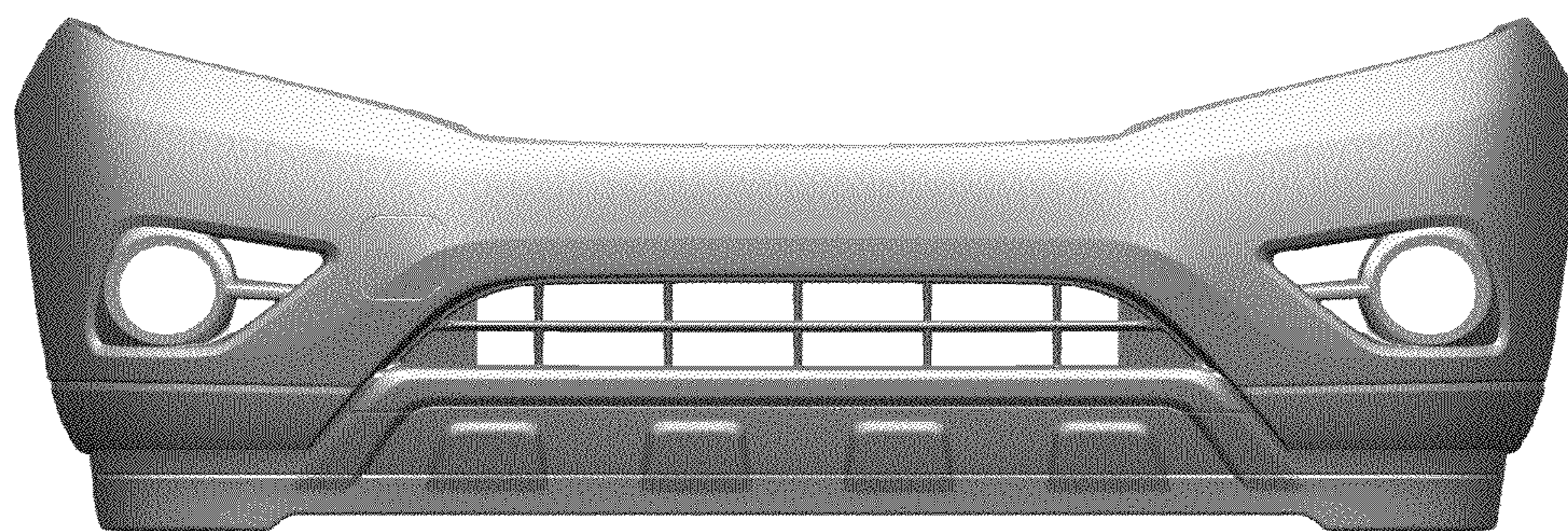


FIG. 3

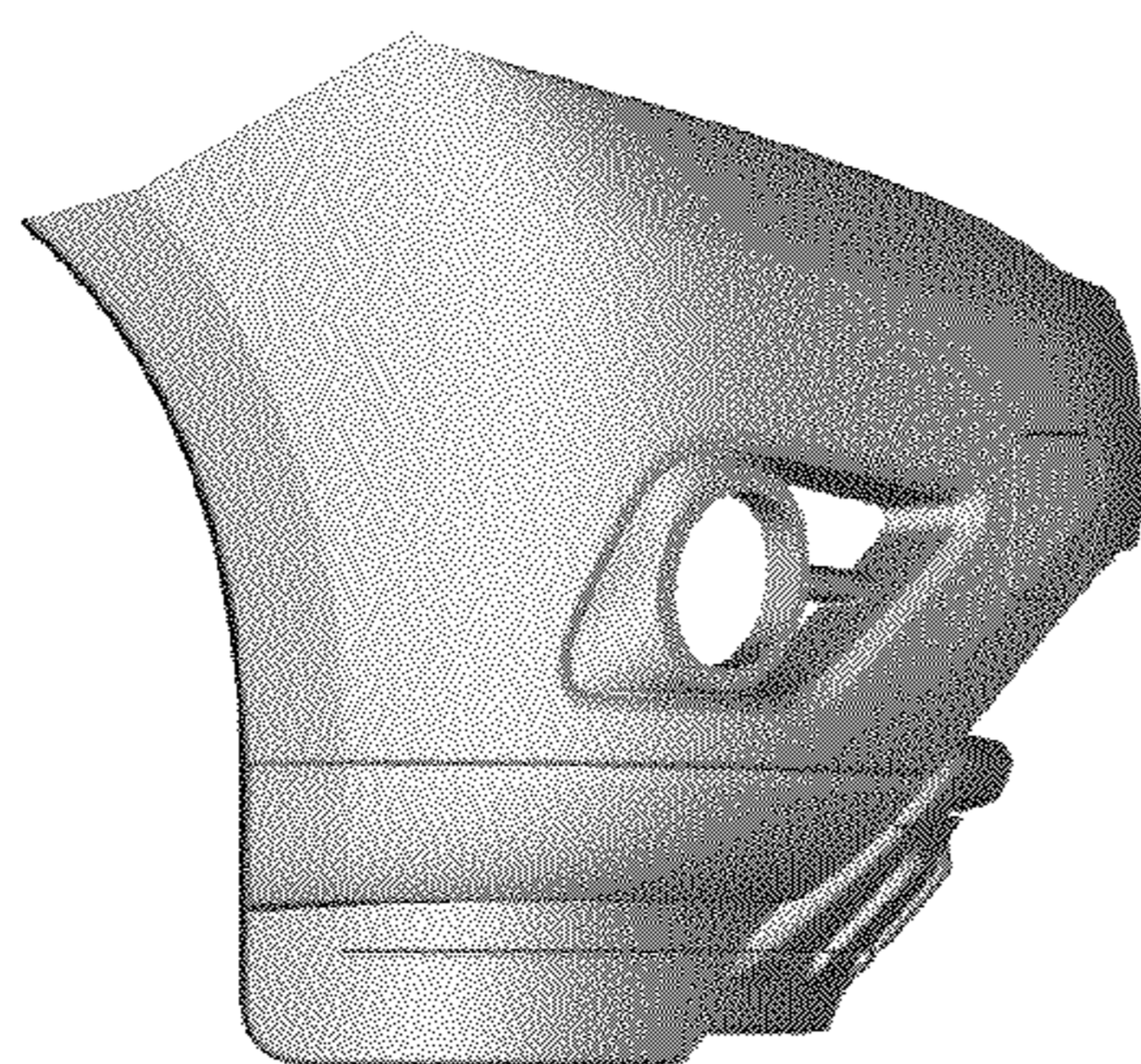


FIG. 4

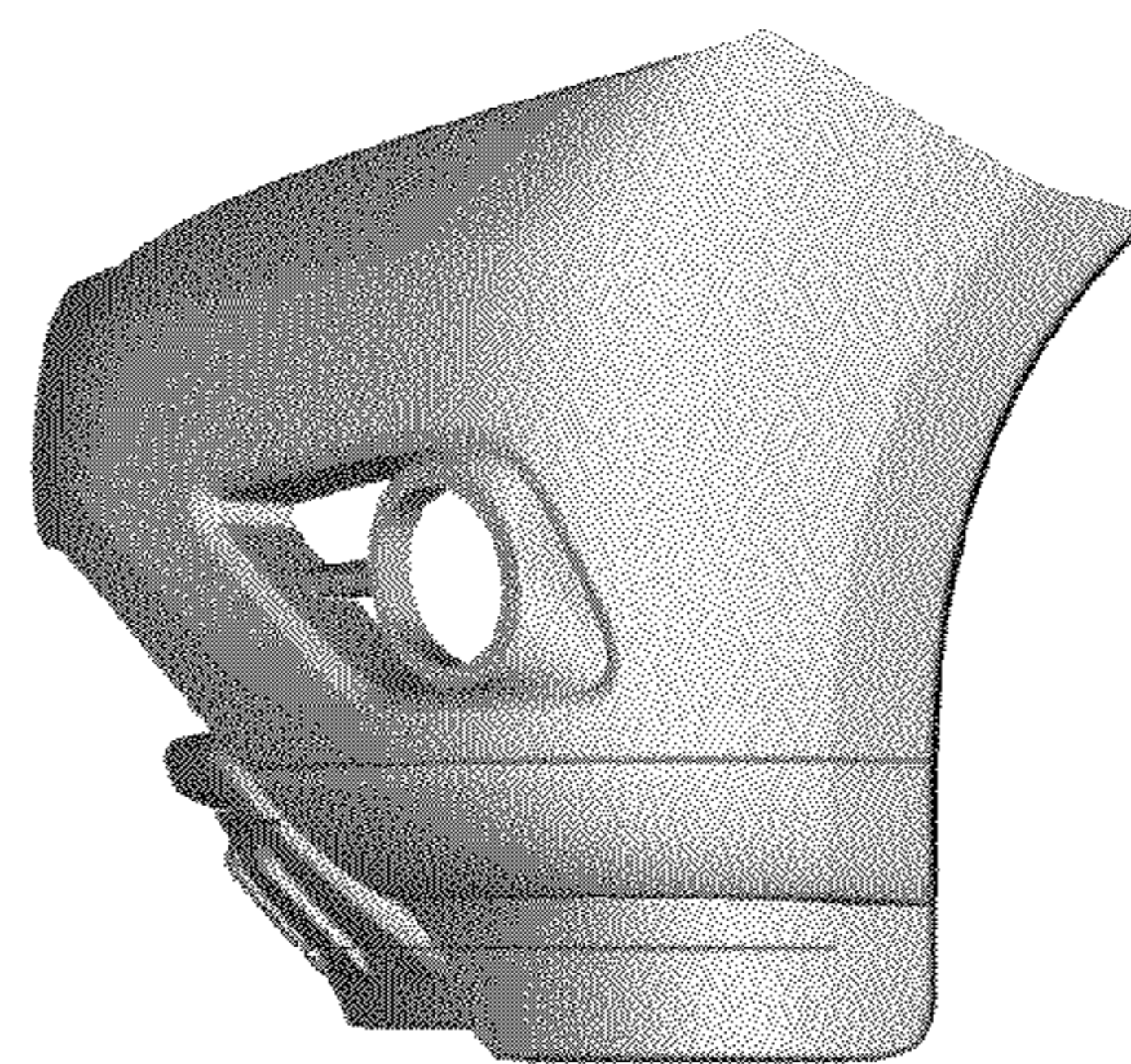


FIG. 5

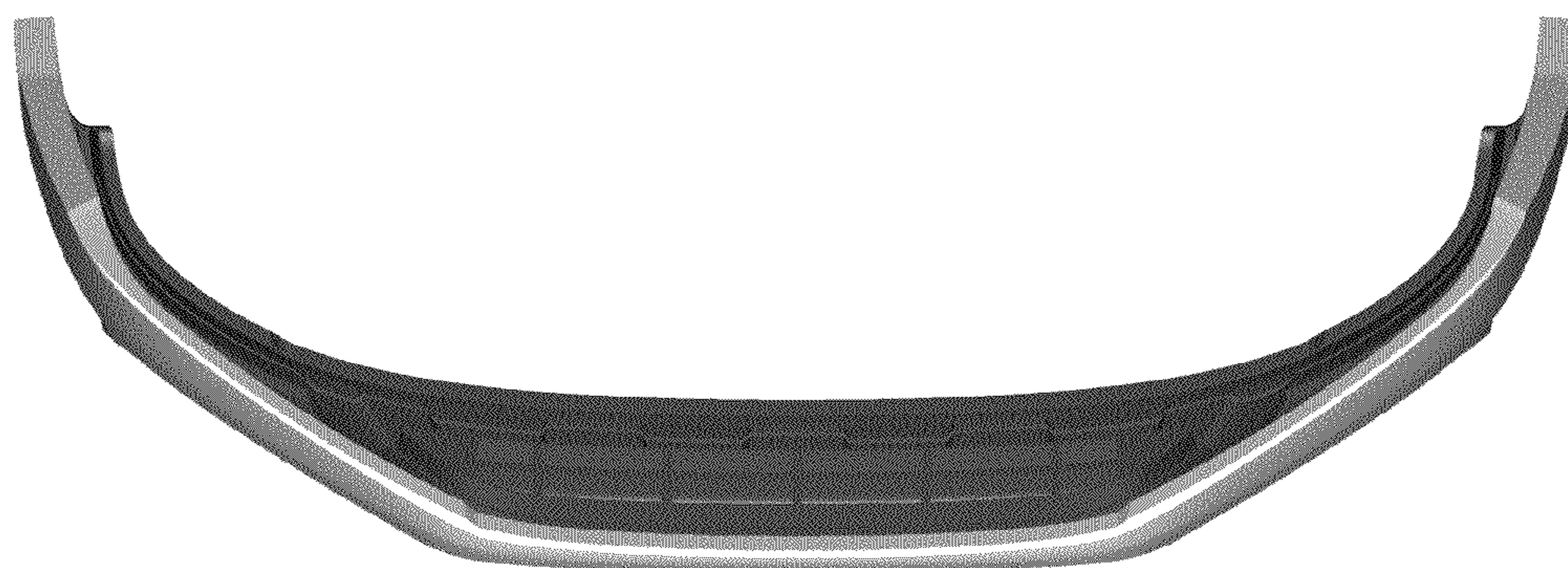


FIG. 6

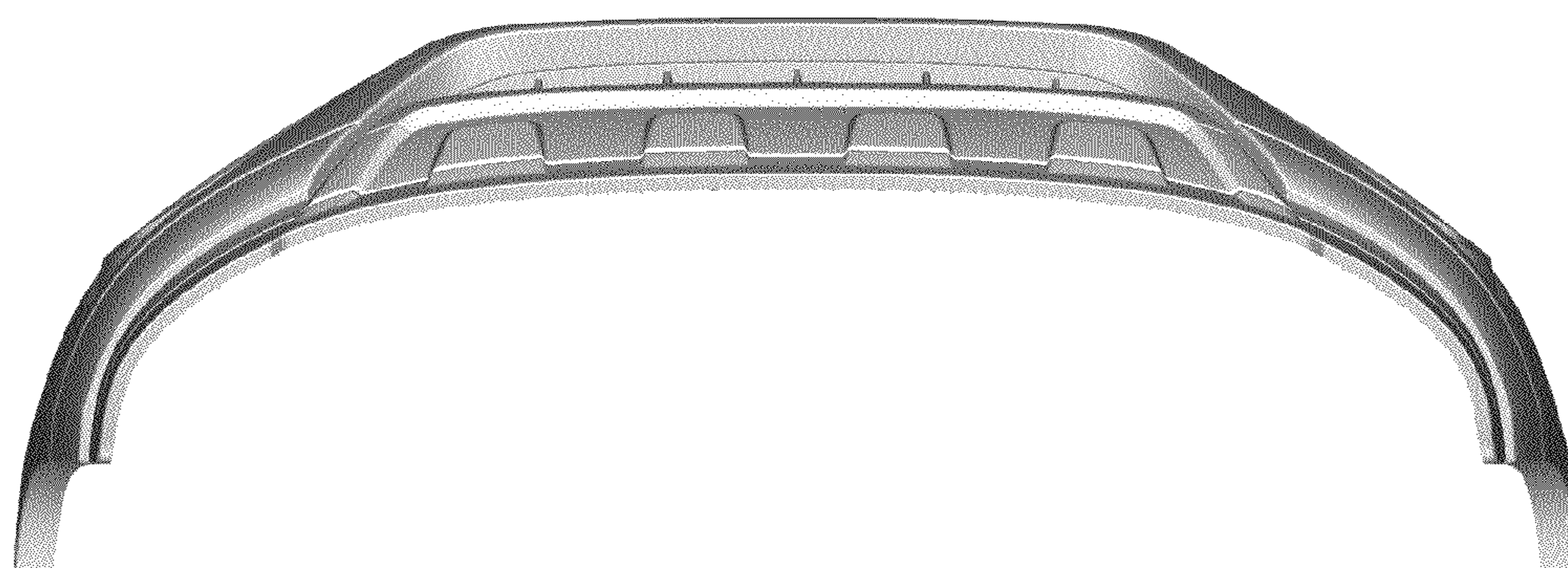


FIG. 7