



US00D683283S

(12) **United States Design Patent**
Choi

(10) **Patent No.:** **US D683,283 S**
(45) **Date of Patent:** **** May 28, 2013**

(54) **REAR BUMPER FOR AUTOMOBILE**

(75) Inventor: **Jinwook Choi**, Kanagawa-ken (JP)

(73) Assignee: **Nissan Jidosha Kabushiki Kaisha**,
Kanagawa (JP)

(**) Term: **14 Years**

(21) Appl. No.: **29/414,175**

(22) Filed: **Feb. 24, 2012**

(30) **Foreign Application Priority Data**

Feb. 1, 2012 (JP) 2012-001989

(51) **LOC (9) Cl.** **12-16**

(52) **U.S. Cl.**
USPC **D12/169**

(58) **Field of Classification Search** D12/169,
D12/196, 171, 216, 163, 86, 90-92; 293/102,
293/113, 115, 117, 120; 296/180.1, 180.2
See application file for complete search history.

(56) **References Cited**

U.S. PATENT DOCUMENTS

D651,143 S * 12/2011 Murakawa et al. D12/169
D671,054 S * 11/2012 Yamada et al. D12/169
D671,055 S * 11/2012 Nakamura et al. D12/169
D675,140 S * 1/2013 Ohkoshi D12/169

FOREIGN PATENT DOCUMENTS

EM 001157788-0003 11/2010
JP D1412965 5/2011

OTHER PUBLICATIONS

Nissan Jidosha Kabushiki Kaisha, Office Action dated Jun. 1, 2012
(with English Translation) in Russian design application No.
2012500732, filed on Feb. 29, 2012.

* cited by examiner

Primary Examiner — Melody Brown

(74) *Attorney, Agent, or Firm* — Fross Zelnick Lehrman &
Zissu, P.C.; Lawrence E. Apolzon, Esq.

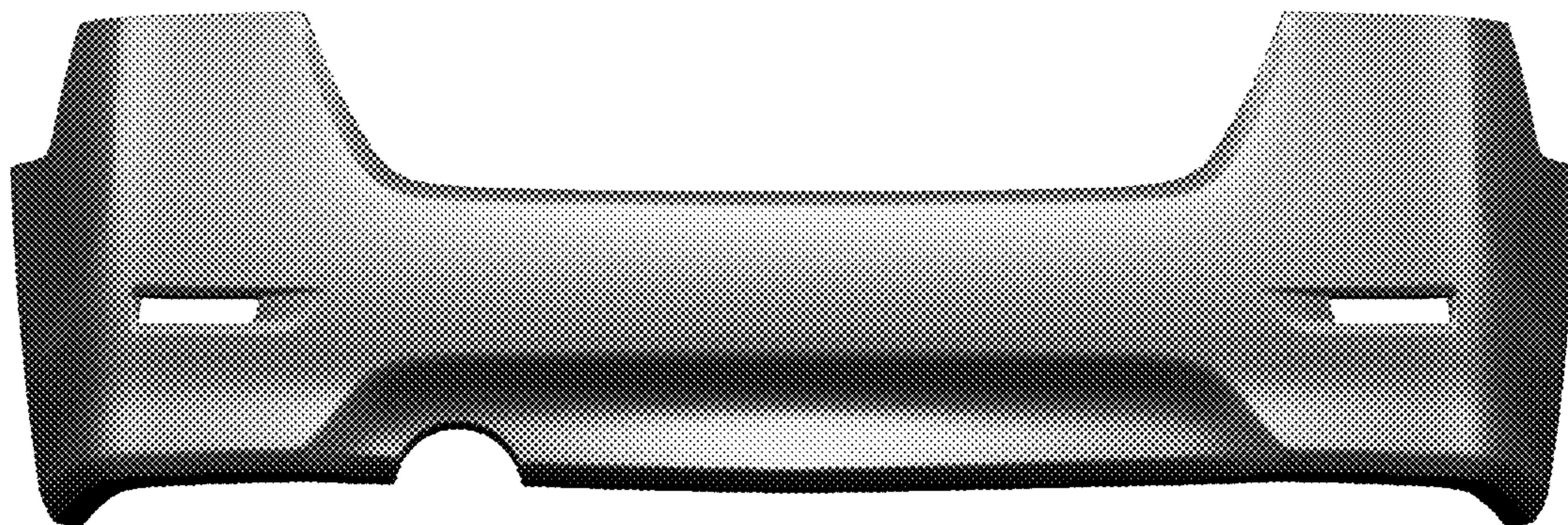
(57) **CLAIM**

The ornamental design for a rear bumper for automobile, as
shown and described.

DESCRIPTION

FIG. 1 is a perspective view of a rear bumper for automobile
showing my new design;
FIG. 2 is a perspective view thereof;
FIG. 3 is a front view thereof;
FIG. 4 is a left side view thereof;
FIG. 5 is a right side view thereof;
FIG. 6 is a top view thereof; and,
FIG. 7 is a bottom view thereof.

1 Claim, 3 Drawing Sheets



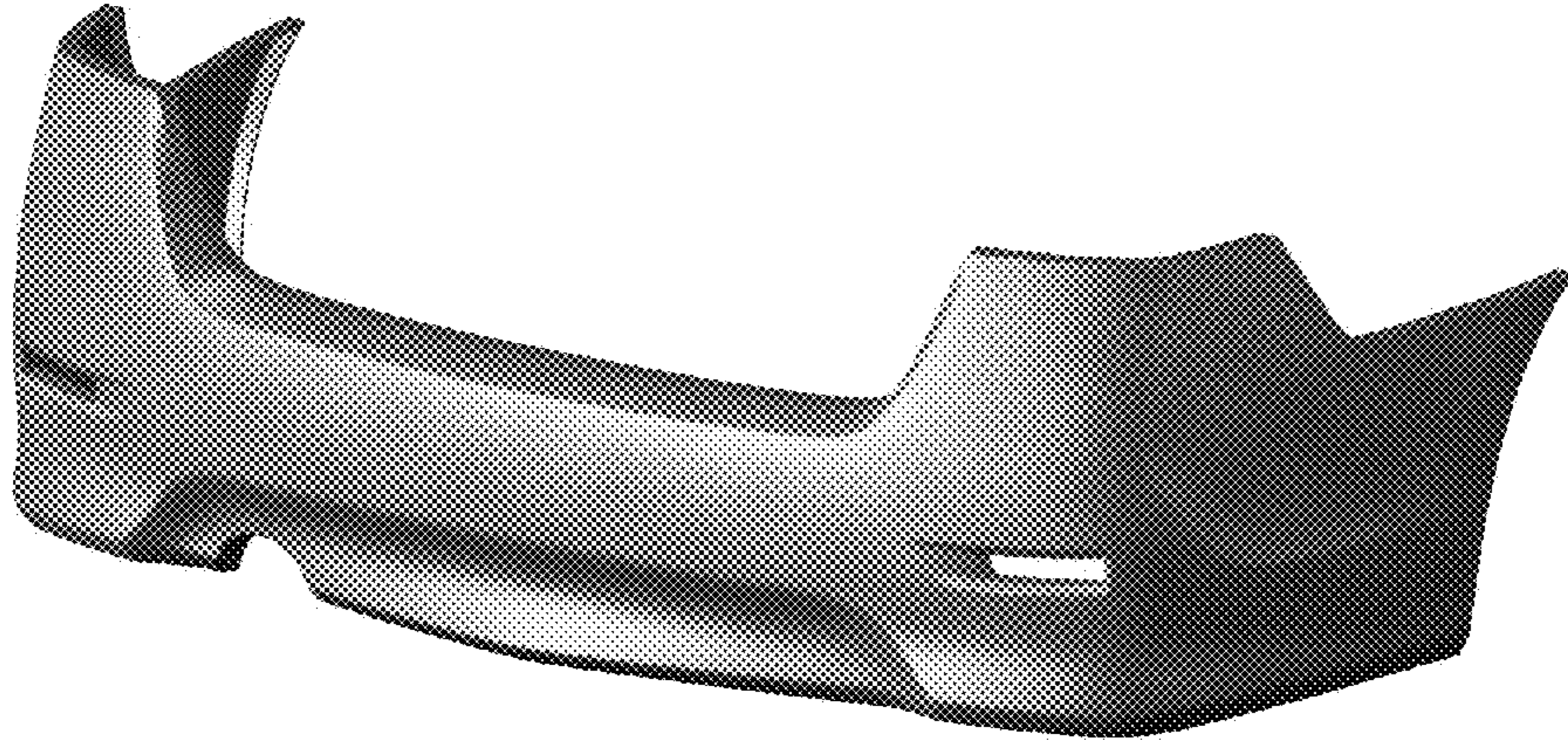


FIG. 1

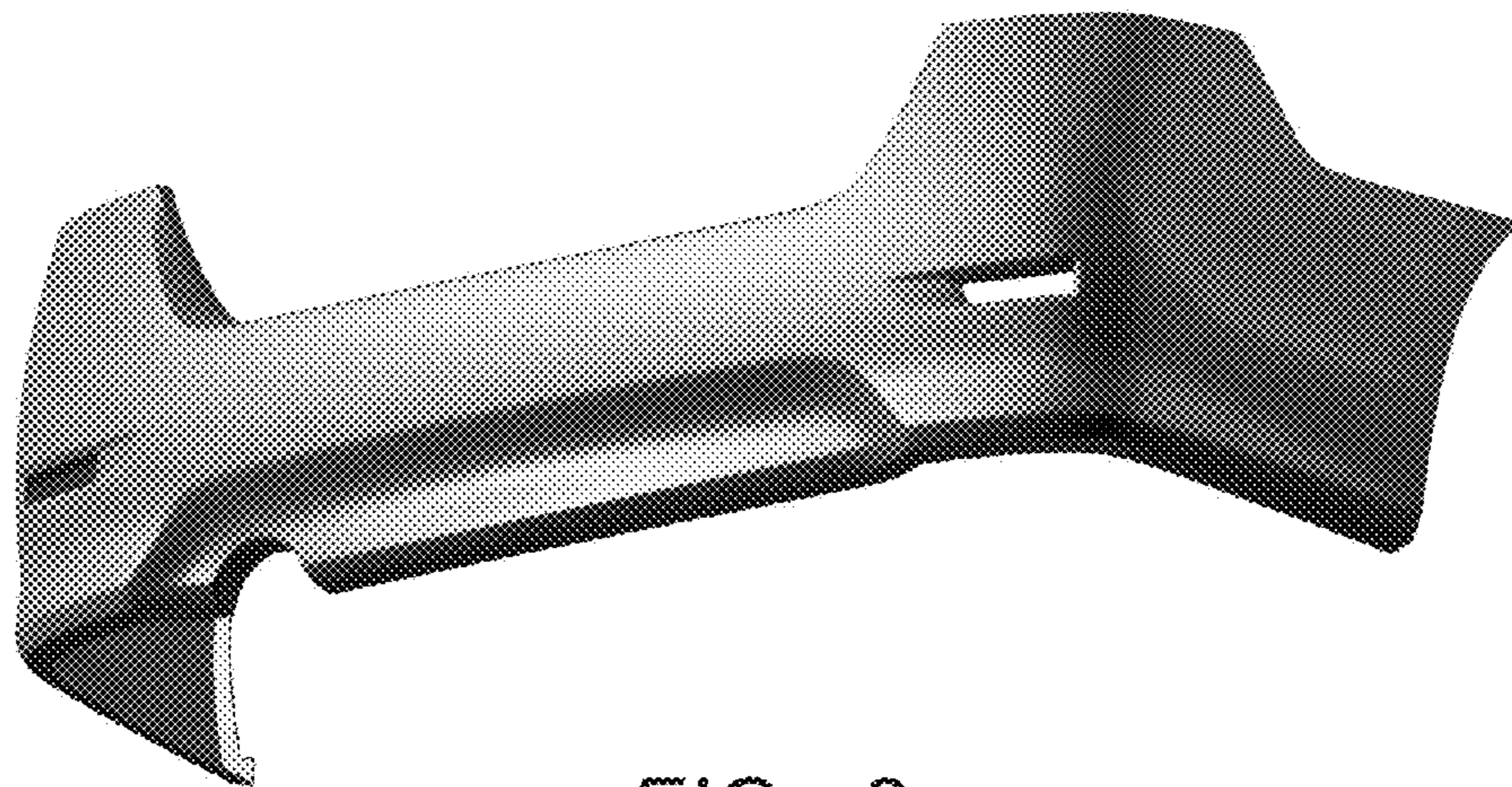


FIG. 2

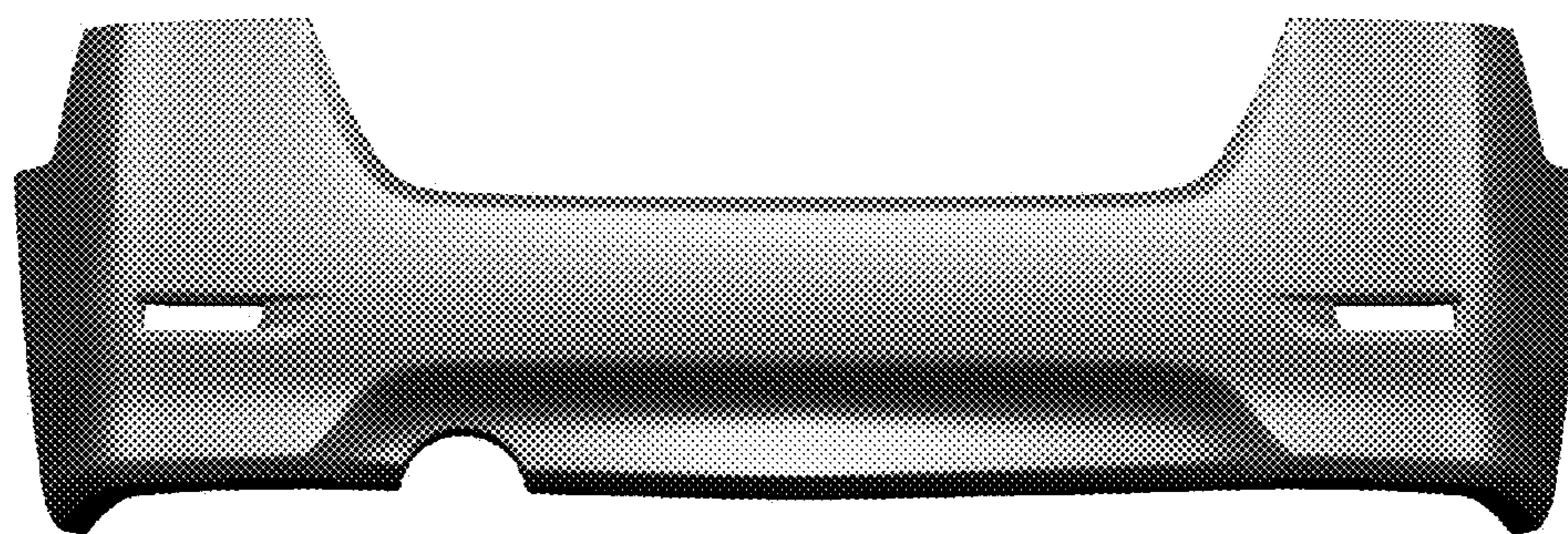


FIG. 3

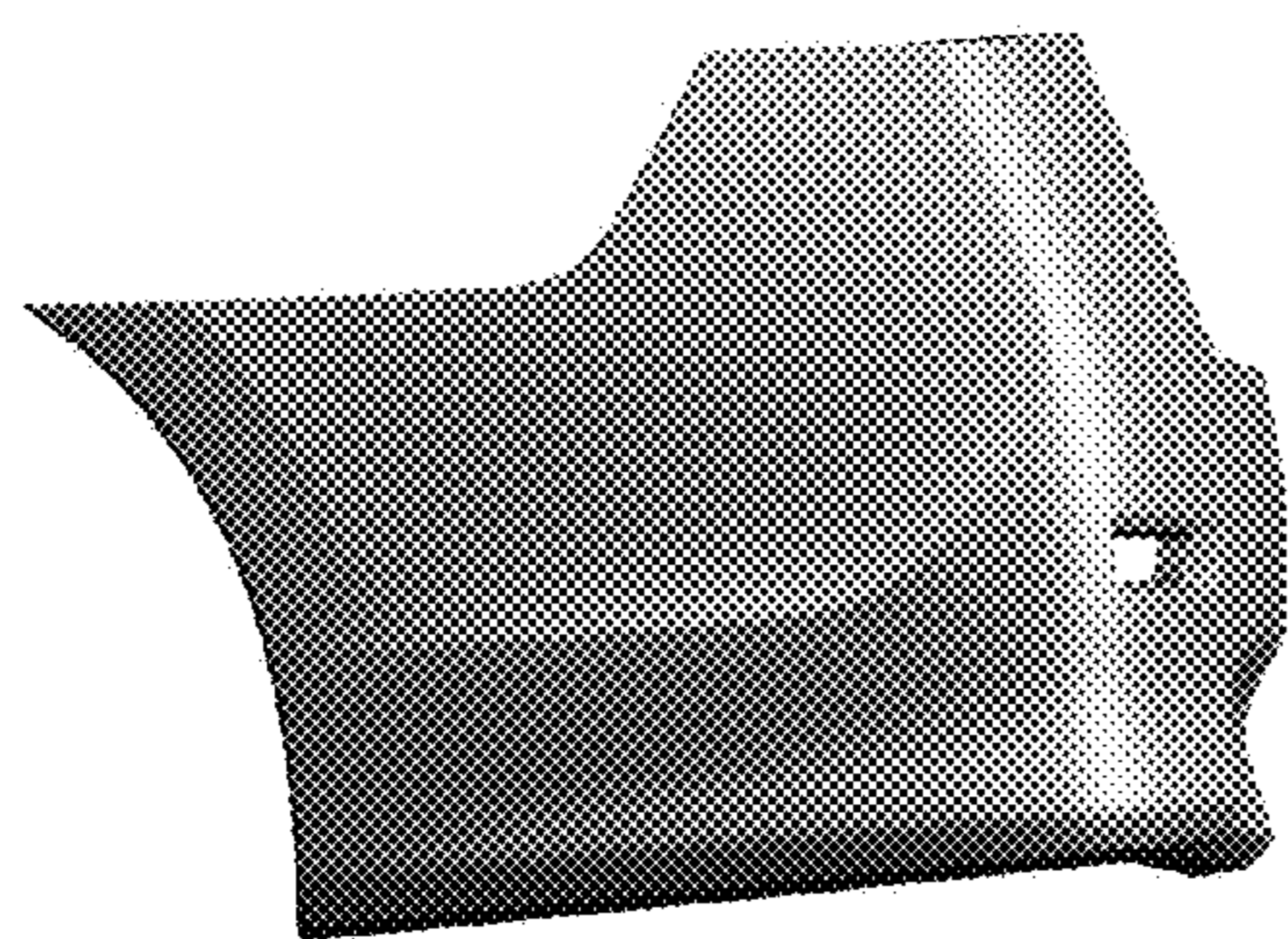


FIG. 4

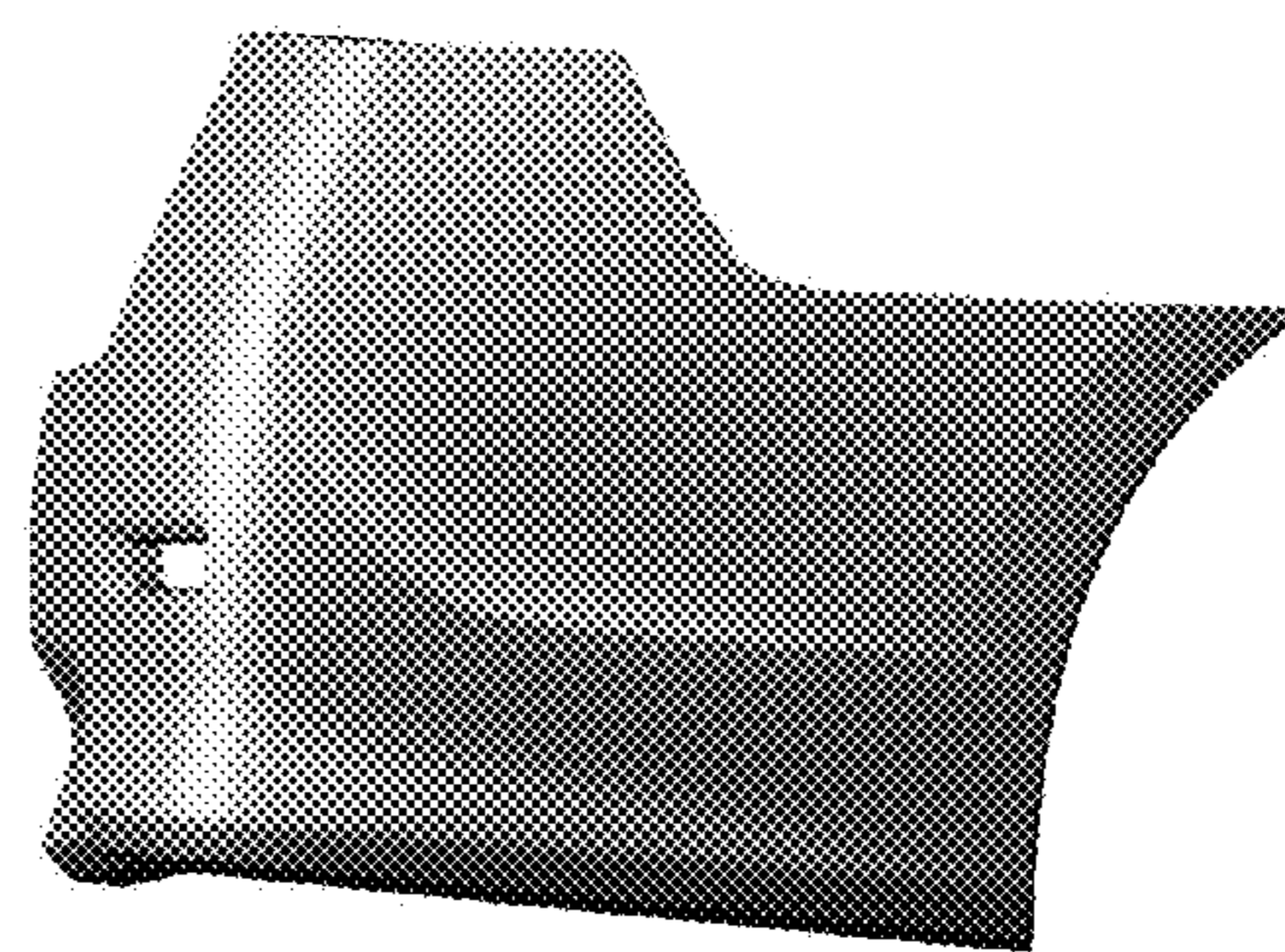


FIG. 5

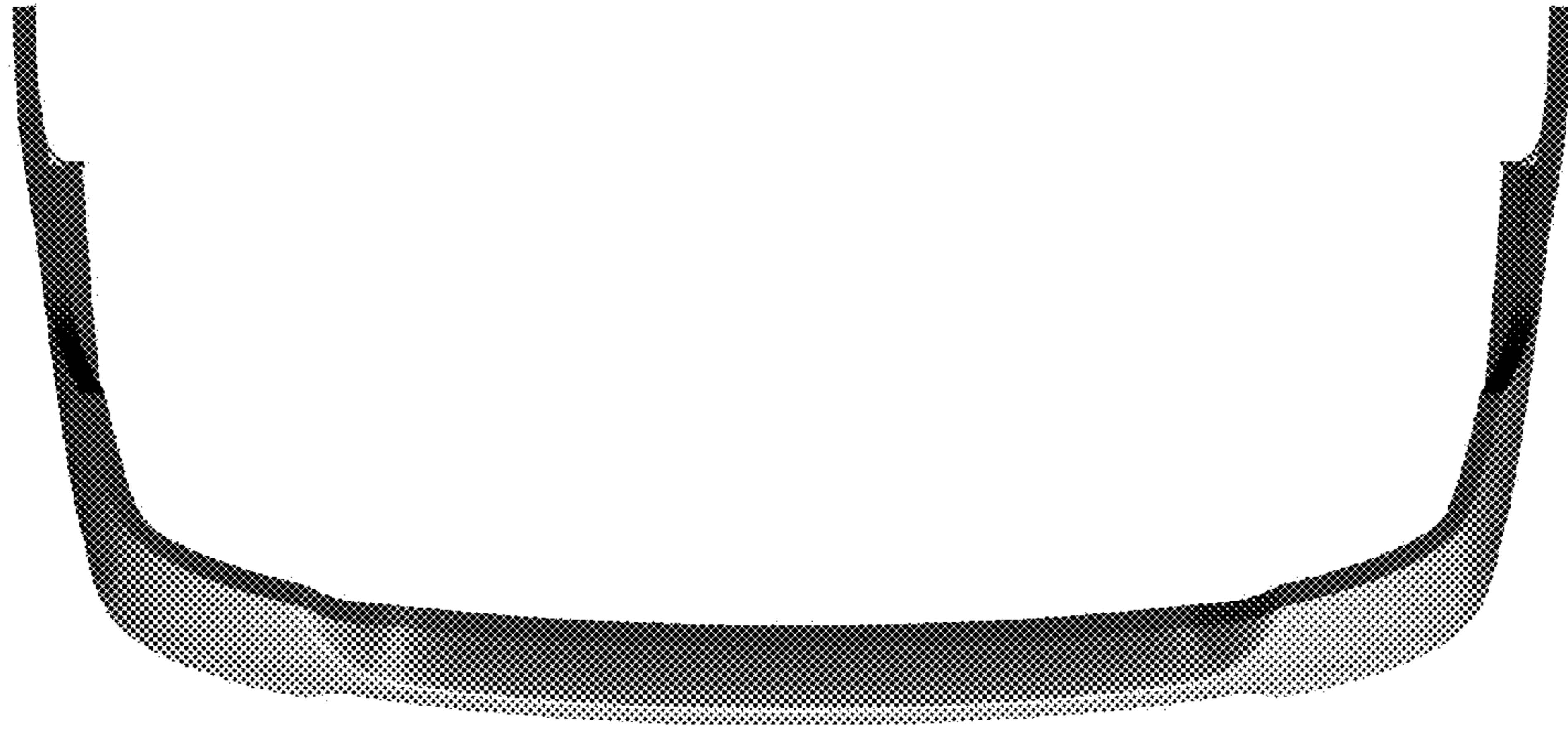


FIG. 6

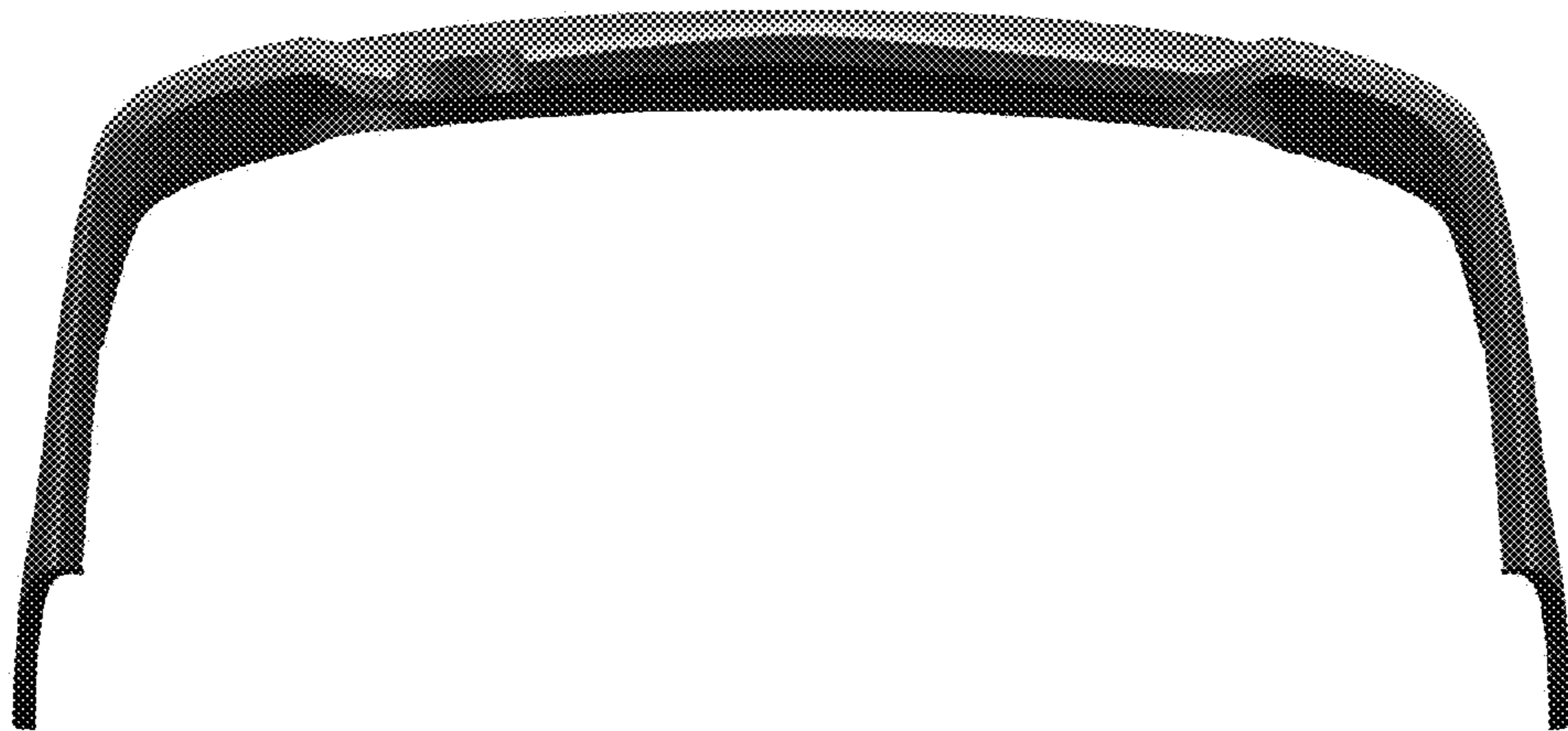


FIG. 7