



US00D683281S

(12) **United States Design Patent**
Harriton

(10) **Patent No.:** **US D683,281 S**

(45) **Date of Patent:** **** May 28, 2013**

(54) **BUMPER**

(75) Inventor: **David Harriton**, Missoula, MT (US)

(73) Assignee: **Streetcar ORV LLC**, Wixom, MI (US)

(**) Term: **14 Years**

(21) Appl. No.: **29/405,799**

(22) Filed: **Nov. 7, 2011**

(51) **LOC (9) Cl.** **12-16**

(52) **U.S. Cl.**
USPC **D12/169**

(58) **Field of Classification Search** D12/86,
D12/90, 91, 92, 163, 169, 196, 171, 216; 293/102,
293/113, 115, 117, 120; 296/180.1, 180.2
See application file for complete search history.

(56) **References Cited**

U.S. PATENT DOCUMENTS

| | | | | |
|-----------|-----|---------|----------------------|---------|
| 1,686,991 | A * | 10/1928 | Schauman et al. | 180/279 |
| D90,716 | S | 9/1933 | Howard | |
| D92,216 | S | 5/1934 | Thomas | |
| D117,505 | S | 11/1939 | Schonberg | |
| 2,194,042 | A * | 3/1940 | Wyatt | 40/200 |
| D119,809 | S | 4/1940 | Oswald | |
| D120,209 | S | 4/1940 | Ache | |
| D125,010 | S | 2/1941 | Walker | |
| D152,398 | S | 1/1949 | Darrin | |
| D179,125 | S | 11/1956 | Earl | |
| D181,593 | S | 12/1957 | MacKichan et al. | |
| D183,153 | S | 7/1958 | Wilfert | |
| D183,550 | S | 9/1958 | Wilfert | |
| D186,876 | S | 12/1959 | Samsen | |
| D236,196 | S | 8/1975 | Hags et al. | |

| | | | | |
|-----------|-----|---------|---------------------|---------|
| 4,111,478 | A * | 9/1978 | Pompei et al. | 293/121 |
| 5,154,462 | A * | 10/1992 | Carpenter | 293/120 |
| D435,814 | S | 1/2001 | Gabath | |
| D475,663 | S * | 6/2003 | Chiang | D12/169 |
| D475,664 | S * | 6/2003 | Chiang | D12/169 |
| D478,028 | S * | 8/2003 | Chiang | D12/169 |
| D484,443 | S | 12/2003 | Hattori | |
| D504,852 | S * | 5/2005 | Kubota | D12/169 |
| D513,213 | S * | 12/2005 | Sato | D12/169 |
| D534,106 | S | 12/2006 | Matei | |
| D562,744 | S * | 2/2008 | Hanson et al. | D12/169 |
| D627,276 | S * | 11/2010 | Krugger et al. | D12/169 |
| D630,976 | S * | 1/2011 | Clottu | D12/169 |

* cited by examiner

Primary Examiner — Philip S Hyder

Assistant Examiner — Darlington Ly

(74) *Attorney, Agent, or Firm* — Quinn Law Group, PLLC

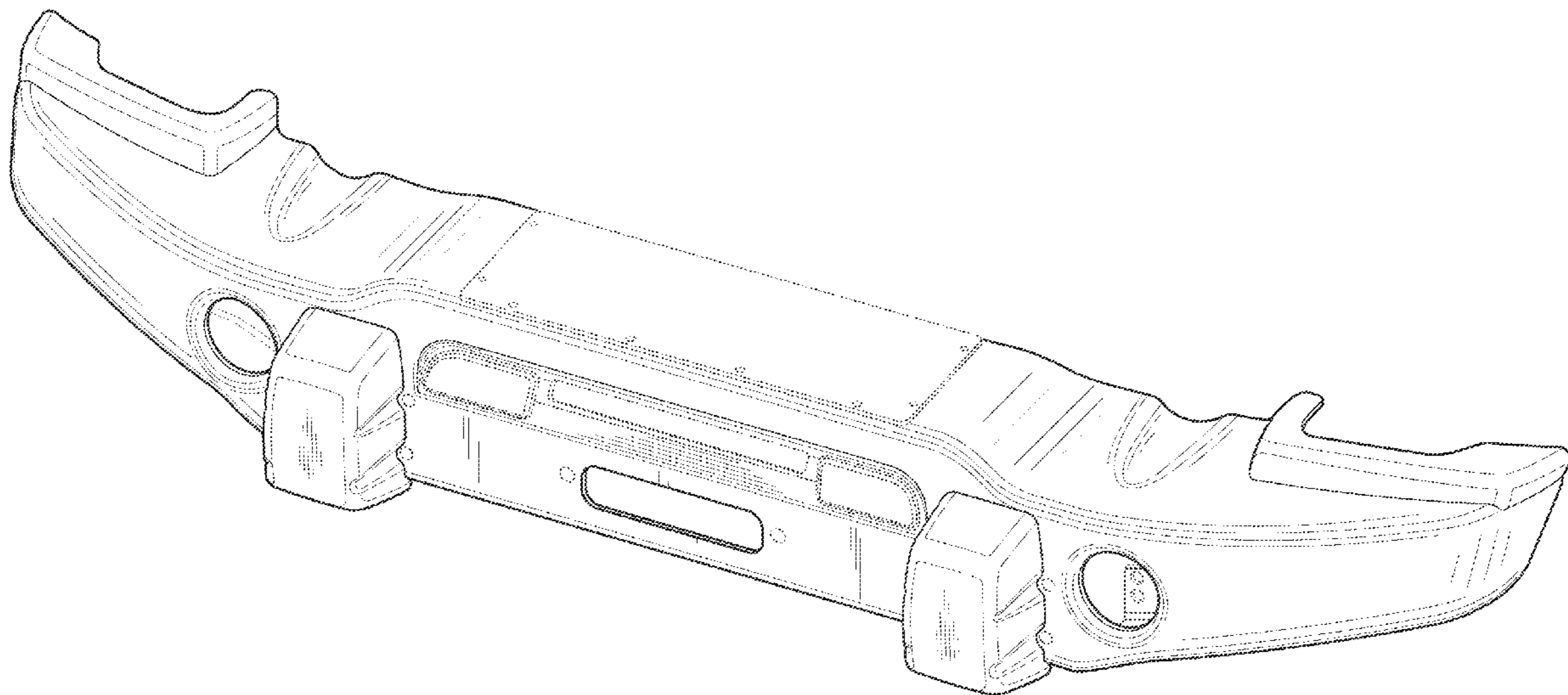
(57) **CLAIM**

I claim the ornamental design for a bumper, as shown and described herein.

DESCRIPTION

FIG. 1 is a top front perspective view of a bumper, FIG. 2 is a bottom view of the bumper of FIG. 1, FIG. 3 is a top view of the bumper of FIG. 1, FIG. 4 is a front view of the bumper of FIG. 1, FIG. 5 is a rear view of the bumper of FIG. 1, FIG. 6 is a left side view of the bumper of FIG. 1; and, FIG. 7 is a right side view of the bumper of FIG. 1. All broken lines illustrate portions of the bumper to which the design is applied that form no part of the claim.

1 Claim, 4 Drawing Sheets



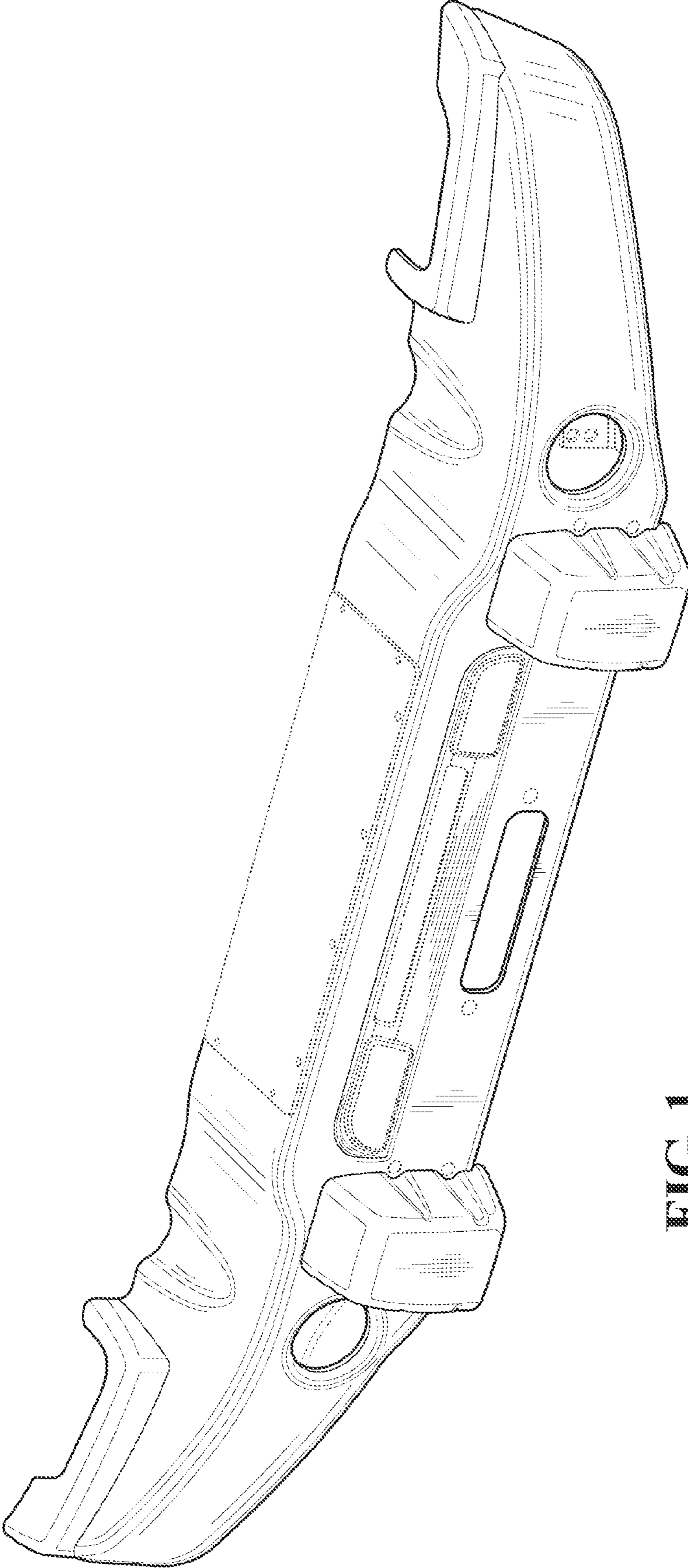


FIG. 1

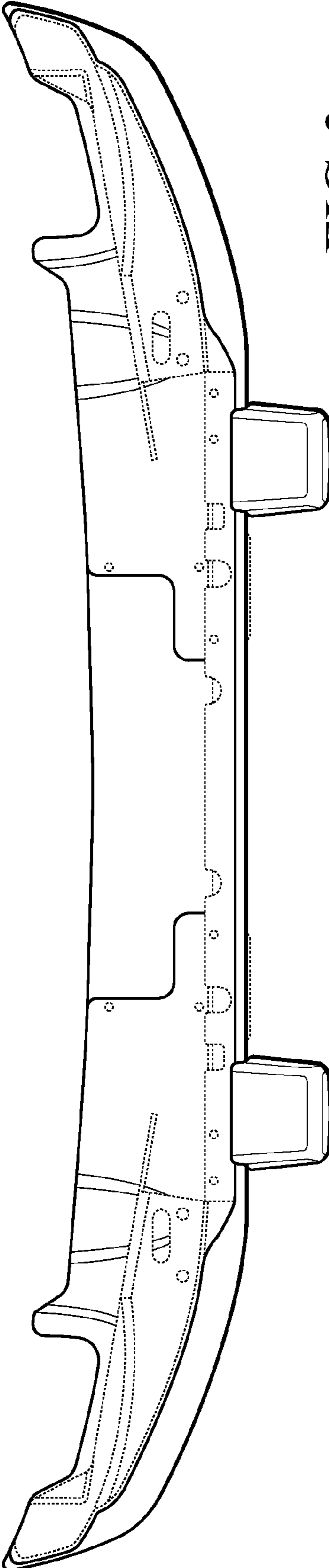


FIG. 2

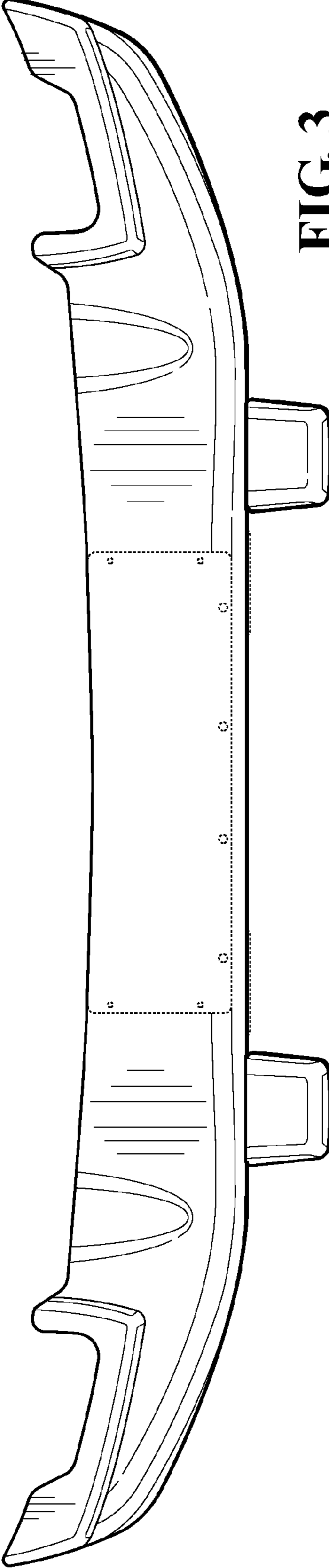


FIG. 3

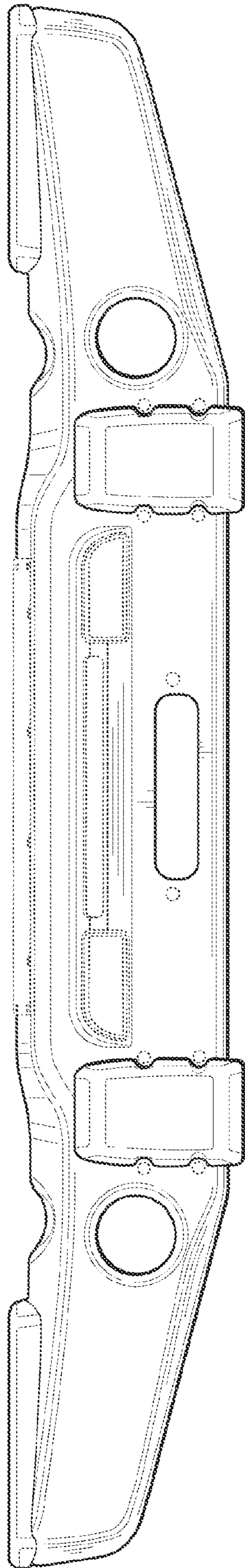


FIG. 4

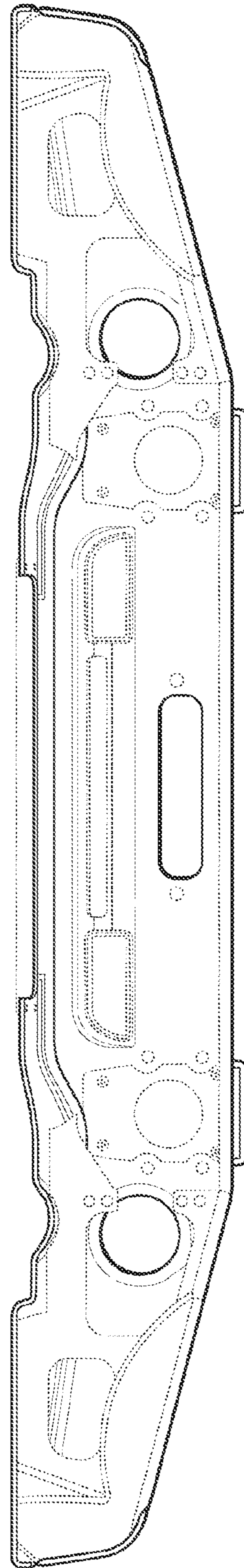


FIG. 5

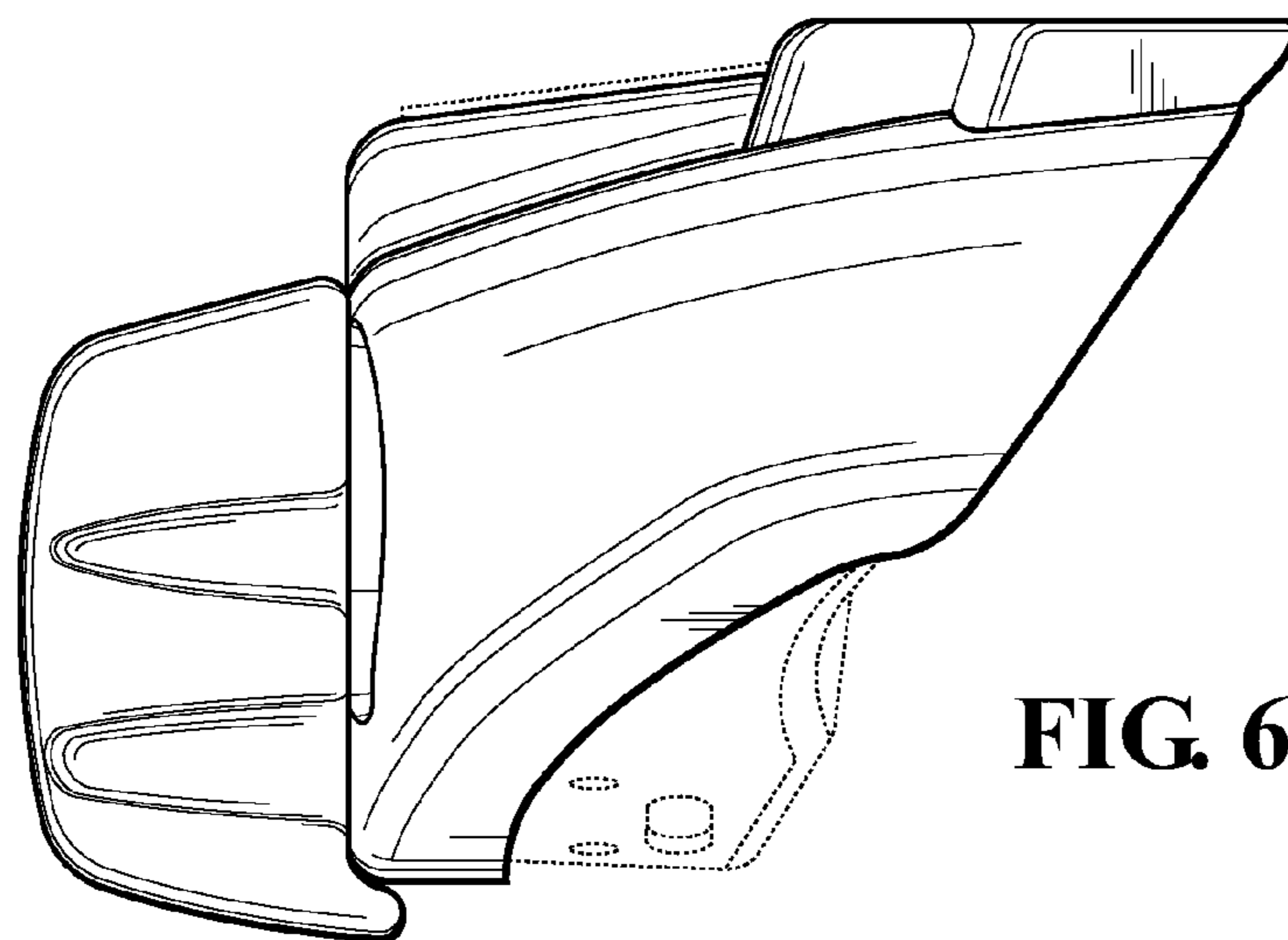


FIG. 6

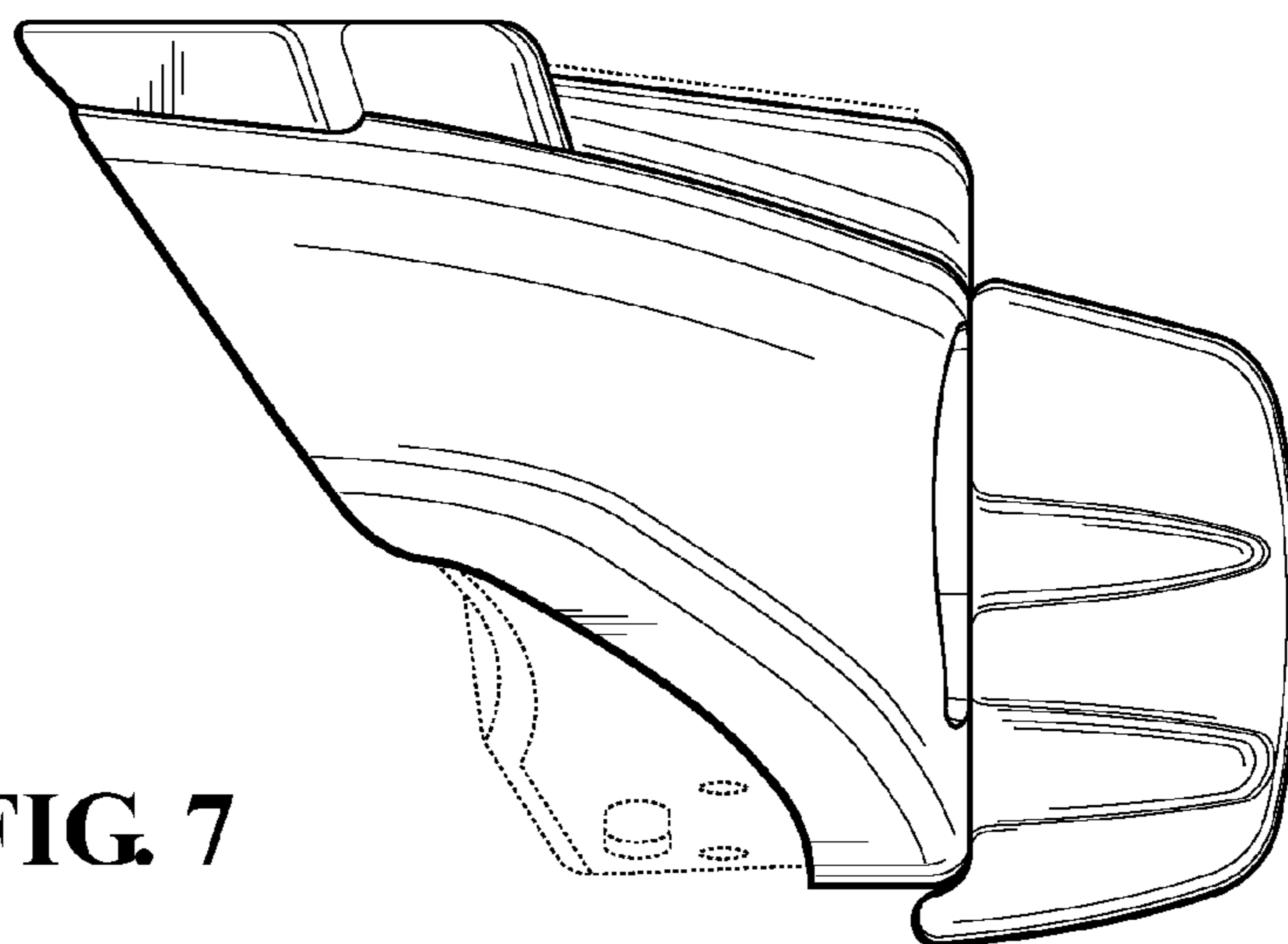


FIG. 7